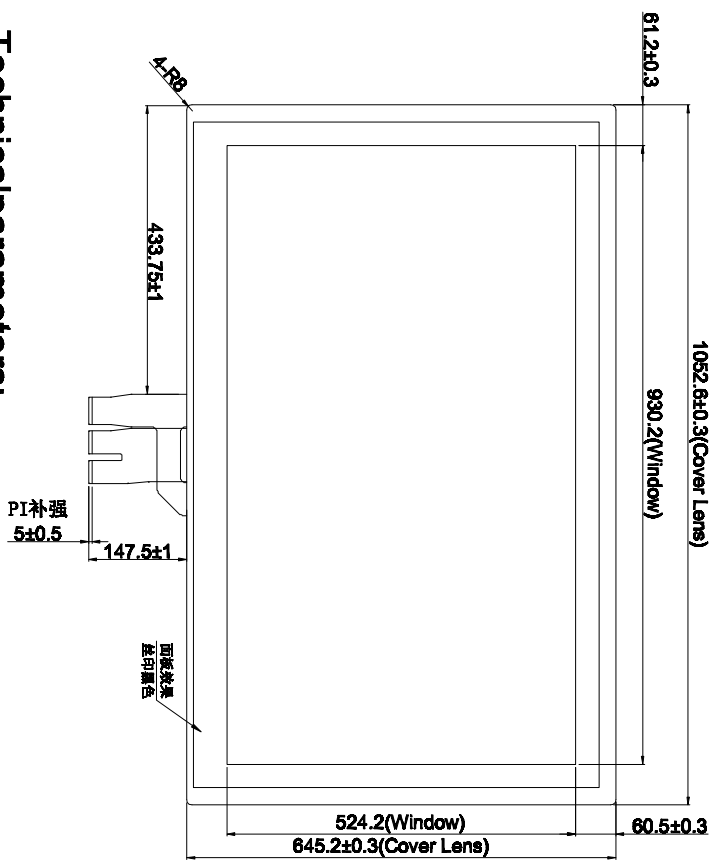
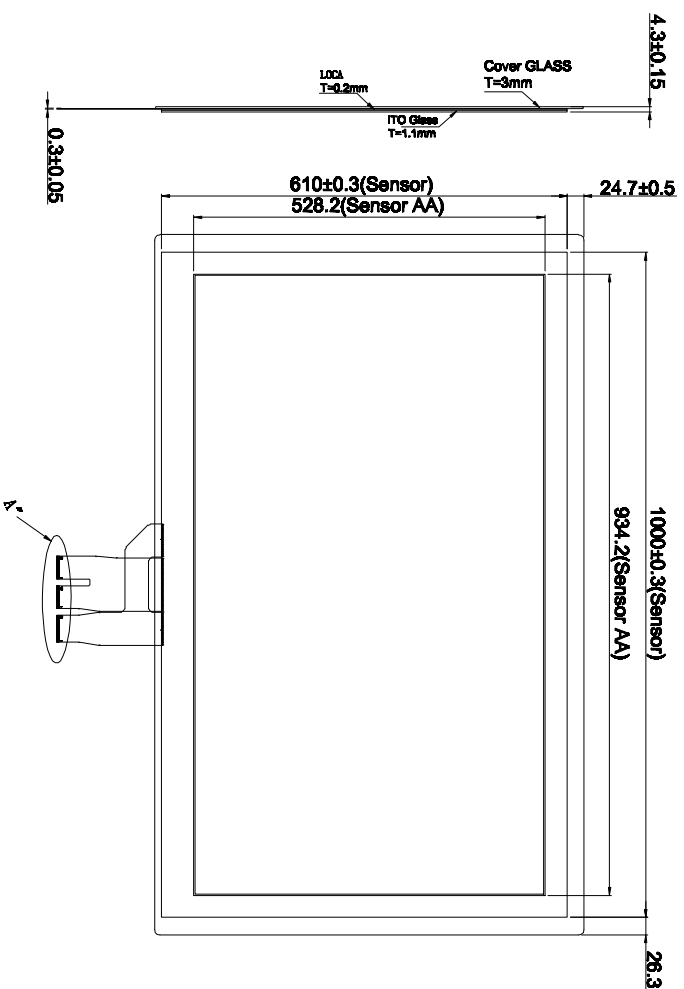


DESCRIPTION	DATE	NAME

正视图



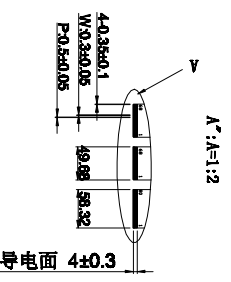
背视图



Technical parameters:

1. Cover Glass+LOCA+ITO Glass
2. Operating Humidity: 45-85 %RH
3. Light transmission: 85%
4. Surface Hardness: 6H
5. Operating temperature: -20℃~+70℃
6. Storage temperature: -30℃~+80℃
7. General thickness: 2mm

特殊工艺:



Shenzhen GreenTouch Technology Co., Ltd

Model No.:	GT-CTP-P42A-1 (503842)	Size	42"	Ratio	16:9
Structure	G+G	Unit	mm	Scale	1:1
Design	李俊	Date	2015.8.5	Page	1/1
Check	付作书	Date	2015.8.5	Version	A0
Release	汪陈	Date	2015.8.5		