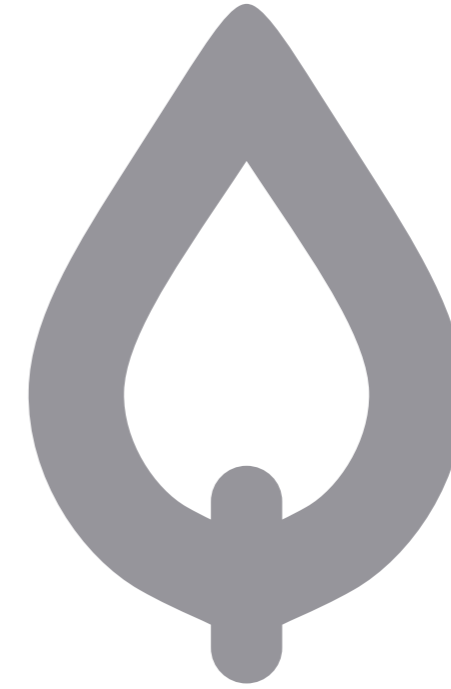


标志性建筑照明综合服务商
Landmark Architectural Lighting Comprehensive Services Provider

QKMXG 孔明芯光

标志性建筑照明综合服务商
Landmark Architectural Lighting Comprehensive Services Provider



官网二维码 公众号二维码

广东孔明芯光照明灯饰有限公司
Guangdong Kongming Xin Guang Lighting Co., Ltd

地址:广东省江门市江海高新开发区科苑路1号
NO.1,KEYUAN ROAD,JIANGHAI DISTRICT,JIANGMEN CITY,
GUANGDONG PROVINCE,CHINA.

电话/TELE:0750-3762892 传真/FAX:0750-3762898
网址/Web:www.gdkmxg.com

标志性建筑照明综合服务商
Landmark Architectural Lighting Comprehensive Services Provider

广东孔明芯光照明灯饰有限公司
Guangdong Kongming Xin Guang Lighting Co., Ltd

全球服务热线/Global service hotline: **400-0760-267**

企业精神
ENTERPRISE SPIRIT

孔明芯光专注服务
KMXG FOCUS ON BEST SERVICES



KMXG 孔明芯光
TO MAKE VALUABLE LIGHT
做有价值的光



企业简介 ENTERPRISE PROFILE

广东孔明芯照明灯饰有限公司成立于2013年, 隶属昌德控股旗下子公司, 集团公司占地32亩工业园, 建筑景观照明产品生产基地位于侨乡之都--广东江门, 是一家专注于户外建筑景观照明产品和控制系统研发、生产及销售一体的国家高新技术企业和广东省专精特新企业。公司拥有专业高效的研发团队、光电实验室及沉浸式智慧光环境体验馆, 通过ISO三大管理体系认证, 全系列产品均通过国家3C强制性认证、CQC认证、节能产品认证、中国环境标志产品认证, 并拥有多项技术专利。旗下拥有电线挤出车间和全自动化五金生产车间。参与过圆明园正觉寺夜景提升项目、长沙湘江两岸岸线夜景提升项目、泉州一江两岸夜景照明提升项目、2022世界动力电池大会 (中国·宜宾)、山西长治武乡县全县亮化大型市政项目等国内外重点项目。

孔明芯光始终以“做有价值的光”为企业目标以专注服务为企业精神, 奋力践行企业十大员工信条, 为客户全程提供专业高效的技术支持、产品开发和解决方案的一体化综合性服务。

Guangdong KMXG-LED Lighting Co., Ltd. (KMXG), established in 2013, is a professional lighting brand specializing in **Architectural Landscape Lighting Products** and **Control Systems**. KMXG is a subsidiary of Changde Holding, which has self-owned industrial park covering an area of 2.14 hectares. Recognized as a National High-tech Enterprise and SRDI (Specialized, Refinement, Differential and Innovative) Enterprise, KMXG is devoted to high-quality innovation and services and have found forms that work for the past, present and future. That's what we've been looking for -- "coherent product design" - reliable, consistently up-to-date and keeps at the technological frontier.

KMXG is specialized in designing, R&D, manufacturing, sales and excellent services, winning quality management certification (ISO9001), environmental management certification (ISO14001) and occupational health management certification (ISO45001).

All series of products have won China Compulsory Certification (CCC), China Quality Certification (CQC), Energy-saving Product Certification and China Environmental Label Product Certification. KMXG sticks with core enterprise goal of "To make valuable light" and enterprise spirit of "Focus on best services" to make the world warmer and harmonious.





品牌定位 BRAND POSITIONING

开发高起点产品,提供高品质服务,降低高品牌费用,
Develop high-class products,provide high-quality services,

愿意通过自身不懈的努力与客户一起,
Reduce high-brand costs,

将孔明芯光打造成每一个项目可以接受的品牌。
Make KMXG into a great choice for every project.

员工十大信条: Ten Employee Creeds:

- 一、做一个**善于说话**的人
Be a good talker
- 二、做一个**爱学习**的人
Be a person who keeps learning
- 三、做一个**善于思考**的人
Be a good thinker
- 四、**相信自己所在的团队**
Believe in your team
- 五、**放弃抱怨,试着去解决问题**
Stop complaining and try to solve the problem
- 六、**主动去承担**一些我可以完成的工作
Take the initiative to do some work
- 七、尽自己最大的**努力**去**做好每一件事情**
Do my best to accomplish everything well
- 八、努力的**过程很重要**,努力的**结果更重要**
The process of effort is very important and the result of effort is even more important
- 九、多一点**理解**,少一点**争执**
Give more understanding and less argument
- 十、让**微笑**成为你工作最大的资产
Make your smile your greatest asset at work

企业价值观 Enterprise Values

为客户创造价值,利他
Create value for customers, be altruistic

为员工创造幸福,利己
Create happiness for employees, be people-oriented

为社会创造贡献,利大家
Create contributions to society, be socially responsible

ENTERPRISE DEVELOPMENT HISTORY
企业发展历程



2013
创立“孔明芯光”品牌
全国共签约四城三县点亮全城项目

2014
签约北京圆明园正觉寺亮化项目

2015
签约江西南昌绳金塔项目、
郑州唐人街项目

2016
正式更名为
“广东孔明芯光照明灯饰有限公司”

2017
乔迁至广东江门高新开发区
签约贵州邓恩铭纪念馆等文旅项目
完成贵州省旅发大会主体灯光

2018
企业通过ISO9001质量管理体系
ISO14001环境管理体系认证
线条灯、洗墙灯均通过国家3C强制认证
签约徐州市沛县工业展示馆
一市三县市政整体亮化
参加广州国际照明展

2019
企业被国家评定为国家高新技术企业
全系列产品通过3C、CQC、等认证
“青龙”全结构洗墙灯面世并
荣获第九届“金手指奖”优秀洗墙灯产品奖

2020
企业全面升级，生产面积增至6000方
成立研发实验室

2021
2021年，孔明芯光并入昌德
控股集团，成为旗下子公司国内
建筑景观照明板块，集团公
司初步启动IPO。

2022
签约川南第一高楼——
华侨城·三江口CBD
签约泉州一江两岸项目

2023
企业规模扩增，江门生产面积
增至10000平方
品牌形象全新升级，迈出国门，
接轨国际市场

2013 "KMXG" brand was established Four cities and three counties have been lit up by KMXG products.

2014 KMXG has provided the whole solution for the lighting project of Zhengjue Temple in tthe Old Summer Palace in Beijing.

2015 KMXG products has lit up the Nanchang Shengjin Pagoda and Zhengzhou Chinatown .

2016 It was officially renamed as "Guangdong KMXG-LED Lighting Co., Ltd."

2017 KMXG moved to Jiangmen National High-tech Development Zone, and participated in the main lighting project of Guizhou Provincial Tourism Development Conference.

2018 KMXG won the ISO9001 quality management system certification , ISO14001 environmental management system certification. Linear Luminaires and wall washers won China Compulsory Certification(CCC). KMXG participated in GILE.

2019 KMXG has been rated as a National High-tech Enterprise by the government in 2019. The whole series of products have passed 3C, CQC, and other certifications.

2020 KMXG was fully upgraded, the production area increased up to 6,000 square meters and a R&D laboratory was established.

2021 KMXG was merged into Changde Holding Group and became its subsidiary, as the domestic architectural and landscape lighting sector.

2022 KMXG provided whole lighting solution for the tallest building in southern Sichuan---- OCT Sanjiangkou CBD and Quanzhou "One River and Two Banks" Project.

2023 In 2023, KMXG scaled up to 10,000 square meters. Brand image was newly upgraded.

CERTIFICATE
OF HONOR
荣誉证书

时间用在哪里
收获就在哪里

每个荣誉的勋章
都是一份珍贵的认可
是我们前进的动力

Where the time is spent,
where is the harvest.

Each medals of Honor means a
precious recognition.

It is the driving force for us to
move forward.

企业荣誉



- 国家高新技术企业证书
- 第九届金手指——优秀洗墙灯产品奖
- 第十届金手指——十大景观照明品牌奖
- 第十届金手指——建筑照明创新产品奖
- 第十一届金手指——年度影响力品牌奖
- 第十届中国创业大赛(广东·江门赛区)暨2021年江门市“科技杯”创新创业大赛
- 中国创新创业大赛(广东赛区) 优胜奖
- 江西省政府采购协议单位
- 扬子杯照明科技奖——技术创新奖
- 第十二届金手指——科技创新奖
- 滕王阁奖——优秀照明企业证书
- 滕王阁奖——优秀照明产品证书
- 江门市科技创新成果展览——洗墙灯-青龙2.0
- 中国照明协会授予爱心企业称号
- 创新型中小企业
- 专精特新企业





- 1.National High-tech Enterprise Certificate
- 2.The 9th“Golden Finger”Award - Excellent Wall Washer Product Award
- 3.The 10th “Golden Finger”Award - Top 10 Landscape Lighting Brand Award
- 4.The 10th“Golden Finger”Award - Architectural Lighting Innovative Product Award
- 5.The 11th “Golden Finger”Award- Annual Influential Brand Award
- 6.Third prize in the 10th China Entrepreneurship Competition (Jiangmen, Guangdong) and the 2021 Jiangmen "Science and Technology Cup" Innovation and Entrepreneurship Competition
- 7.Winner of China Innovation and Entrepreneurship Competition (Guangdong Division).
- 8.Jiangxi Provincial Government Procurement Agreement Unit
- 9.Yangtze Cup Lighting Science and Technology Award - Technology Innovation Award
- 10.The 12th Golden Finger Science and Technology Innovation Award
- 11.Tengwang Pavilion Award - Excellent Lighting Enterprise Certificate
- 12.Tengwang Pavilion Award - Excellent Lighting Product Certificate
13. Caring Enterprise Title Awarded by China Lighting Association
- 14.Innovative Small and Medium-sized Enterprise
- 15.SRDI (Specialized,Refinement,Differential and Innovative) Enterprise



沉浸式智慧光环境体验馆
Immersive smart light environment experience hall



安全等级
Security level

-  安全等级0:仅用基本绝缘来防止触电。
-  安全等级1:除了基本绝缘,还用接地来防止触电。
-  安全等级2:使用双重绝缘或加强绝缘来防止触电,不需要接地。
-  安全等级3:使用超低压电路防止触电,因此不需要采取防触电措施。

Safety level 0: Prevent electric shock with only basic insulation.
Safety level 1: In addition to basic insulation, grounding is also used to prevent electric shock.
Safety Level 2: Use double insulation or reinforced insulation to prevent electric shock, no grounding is required.
Safety Level 3: Use ultra-low voltage circuits to prevent electric shock, so no anti-electric shock measures are required.

IP防护等级
IP rating

IP防护等级系统是由IEC所起草,将电器依其防尘防湿气之特性加以分级。IP防护等级是由两个数字所组成,第1个数字表示电器防尘、防止外物入侵的等级,第2个数字表示电器防湿气、防水侵入的密闭程度,数字越大表示其防护等级越高。

The IP grade (INGRESS PROTECTION) refers to the protection level of the outer shell of electronic equipment against the intrusion of foreign substances (including solids and liquids). It was drafted by the International Electrotechnical Commission (IEC).

认证标志
Certification mark



中国质量认证中心(CQC)是由国家质量监督检验检疫总局设立,委托国家认证认可监督管理委员会管理的国家级认证机构。
 China Quality Certification Center (CQC) is a national certification body established by the General Administration of Quality Supervision, Inspection and Quarantine and entrusted to the Certification and Accreditation Administration of the State.



中国强制性产品认证(CCC),它是中国政府为保护消费者人身安全和国家安全、加强产品质量管理依照法律法规实施的一种产品合格评定制度。
 China Compulsory Product Certification (CCC) is a product conformity assessment system implemented by the Chinese government in accordance with laws and regulations to protect the personal safety of consumers and national security and strengthen product quality management.



CE标志是欧洲市场强制性安全合格认证标志,即只限于产品不危及人类、动物和货品的安全方面的基本安全要求。
 The CE marking is a mandatory safety compliance certification mark in the European market, which is limited to the basic safety requirements for products that do not endanger the safety of humans, animals and goods.

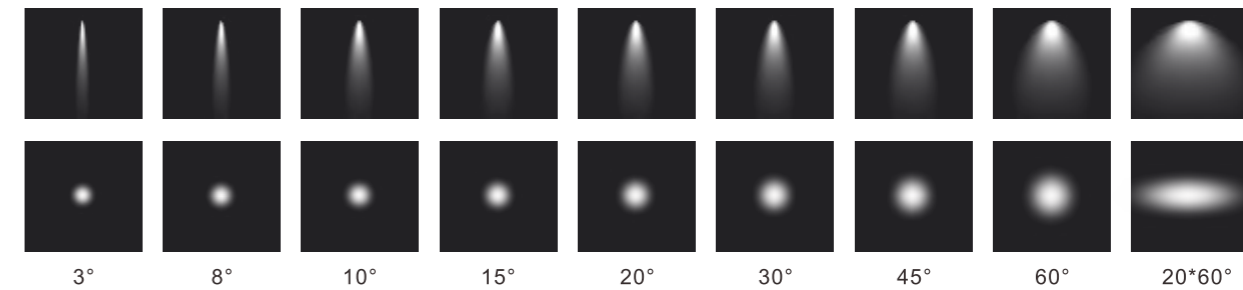
照明角度
Angle of Illumination

该示例图标大概演示灯具照射方向和角度,实际使用情况和安装位置不局限于如图所示的这六种情况。
 This example icon roughly demonstrates the direction and angle of the luminaire. Actual usage and installation locations are not limited to these six scenarios as shown in the figure.



光斑
facula

该图标是指灯具出光的光斑形态。
 This icon refers to the pattern of the light spot emitted by the luminaire.



配光曲线
Light distribution curves

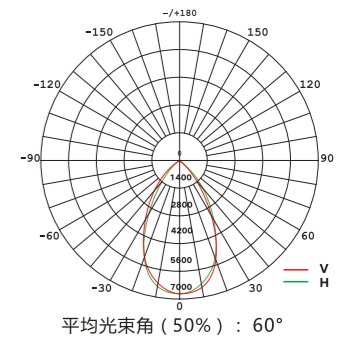
它是指光源(或灯具)在空间各个方向的光强分布。
 配光曲线一般有三种表示方法:一是极坐标法,二是直角坐标法,三是等光强曲线。
 It refers to the distribution of light intensity of a light source (or luminaire) in all directions of space. There are generally three ways to represent the light distribution curve: one is the polar coordinate method. The second is the Cartesian coordinate method. The third is the isocandela curve.

A. 极坐标配光曲线:

在通过光源中心的测光平面上,测出灯具在不同角度的光强值。其光强的空间分布状况。(见右图)

A. Polar coordinate light distribution curve:

On the metering plane passing through the center of the light source, the luminaire light intensity values at different angles are measured. The spatial distribution of its light intensity. (See image on the right)

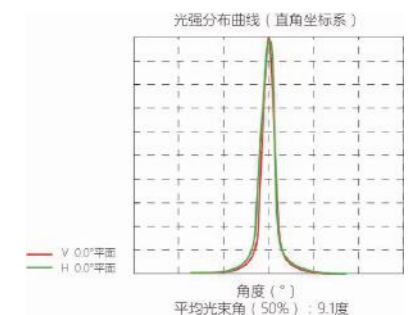


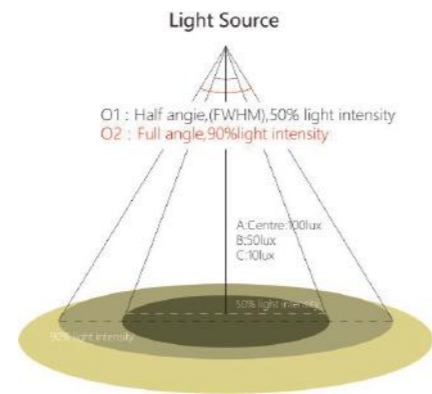
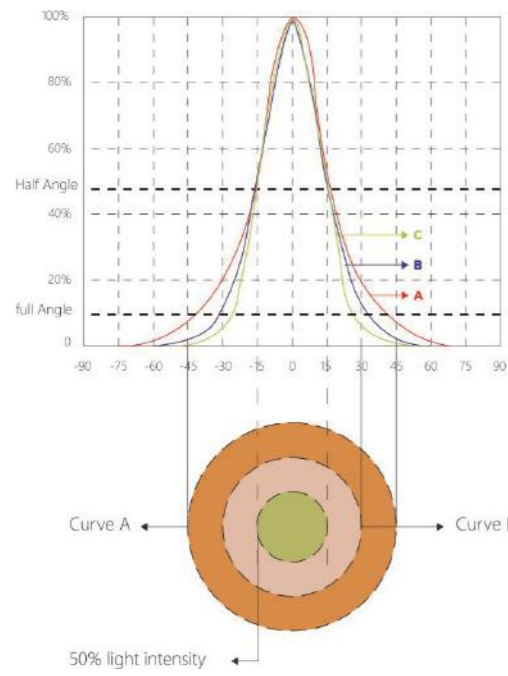
B. 直角坐标配光曲线:

对于聚光型灯具,由于光束集中在十分狭小的空间立体角内,就采用直角坐标配光曲线表示法,以竖轴表示光强图,以横轴表示光束的投影角度,如图中10%光强full Angle为全角50%光强;Half Angle为半角(见右图)

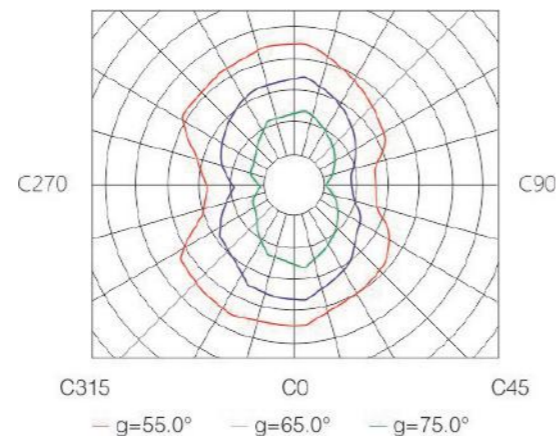
B. Cartesian coordinate light distribution curve:

For spotlight-type lamps, since the light beam is concentrated within a very narrow spatial solid angle, the rectangular coordinate light distribution curve representation method is adopted. The vertical axis represents the light intensity diagram, and the horizontal axis represents the projection angle of the light beam.





Half angle :50%light intensity(FWHM)
Full angle : 10%light intensity
For Curve A,B, and C→half angle 30°
Full angle : Curve A=80°
Curve B=60°
Curve C=50°
Full angle dePnition is more accurate as it allows the luminaries designer to arrange/develop their LED lamp.

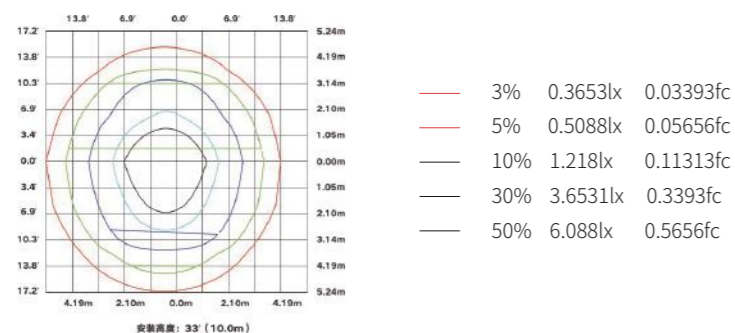


C. 光强曲线图:
用于展示光源在不同方向上的光强分布情况的图表。

C. Light intensity curve chart:
It is a chart used to show the distribution of light intensity of a light source in different directions.

空间等照度曲线
Spacing isoilluminance curve

以光源或灯具为中心, 在空间中某一剖面上的照度相等的点的连线称为空间等照度曲线,该曲线以直角坐标表示。
The line connecting points with equal illuminance on a certain section of space centered on a light source or lamp is called the spatial iso illuminance curve, which is represented by Cartesian coordinates.



照明术语定义
Definition of lighting terms



符号Symbol:Φ
单位Unit:流明(lumen)
单位符号Unit symbol:lm

光源发射并被人的眼睛接收的能量之总和即为光通量(Φ)。The sum of the energy emitted by the light source and received by the human eye is the luminous flux (Φ).



符号Symbol:L
坎德拉(candela)
单位符号Unit symbol:cd/平方米

亮度是指发光体在单位投影面积上的发光强度。Luminance refers to the luminous intensity of the luminous body in the unit projected area.



显色性是指不同光谱的光源照射在同一颜色的物体上时,所呈现不同颜色的特性,通常用显色指数(Ra)来表示光源的显色性。Color rendering refers to the characteristics of different colors when illuminant of different spectrums shine on objects of the same color, and the color rendering index (Ra) is usually used to express the color rendering of illuminant .



符号Symbol:I
单位Unit:坎德拉(candela)
单位符号Unit symbol:cd(1cd=1lm/sr)

光强:“光照强度”(Illumination intensity or Light intensity),它是指单位面积上所接受可见光的能量。It refers to the energy of visible light received per unit area. (I).



符号Symbol:η
单位Unit:流明/瓦
单位符号Unit symbol:lm/W

光效是指光源将电能转化为可见光的效率,光效是考核光源经济性性能的一个重要参数。Luminous efficiency refers to the efficiency with which a light source converts electrical energy into visible light.



符号Symbol:E
单位Unit:勒克斯(lux)
单位符号Unit symbol:lx(1lx=1lm/m2)

照度是指发光体照射在被照物体单位面积上的光通量。Illuminance refers to the luminous flux of the luminous body on the illuminated object per unit area.



单位Unit:开尔文(K)

色温是按绝对黑体来定义的光源的辐射在可见区和绝对黑体的辐射完全相同时,此时黑体的温度就称此光源的色温。Color temperature is defined by absolute blackbody, when the radiation of a light source is exactly the same as that of an absolute blackbody in the visible region, the temperature of a blackbody is called the color temperature of the light source.

产品命名规则 PRODUCT NAMING RULES

公司代码 Company code	产品代码 Product Code	分隔符 Delimiter	中文名称代码 Chinese name code	分隔符 Delimiter	支架代码 Bracket code	分隔符 Delimiter	灯珠数 Number of LEDs	颜色数 Number of color options	段数 Number of segments	分隔符 Delimiter	EVO代码 EVO code
KM	XQ	-	XQL1.1	-	ZJ	-	24	A	A	-	EV
KMXQ-XQL1.1-ZJ-24A1-EV											
KM	XQ	-	XQL1.1	-	BG	-	1	单色Single color: A	无 (空) None (empty)	-	CD
XT	XT	-	BH1.0	-	DC	-	2	双色Bicolor: B	数字 Figure	-	LD
TG	TG	-	TP1.0	-	DZ	-	3	三色Tricolor: C		-	YT
DM	DM	-	XH1.0	-	LG	-	4	四色Four colors: D		-	MY
DG	DG	-	JG1.0	-	LX	-	5	五色Five colors: E		-	FW
WL	WL	-	CK1.0	-	BS	-	六色Six colors: F		-	HN
BS	BS	-	GY1.1	-	TK	-		七色Seven colors: G		-	SN
CT	CT	-	HY1.0	-	PZ	-			-	ZW
SP	SP	-	MN1.0	-	UX	-				-	XW
GB	GB	-	YX1.0	-	NW	-				-	GX
BD	BD	-	YX2.1	-	NB	-				-	TM
TD	TD	-	DK1.0	-	FY	-				-	NB
ZS	ZS	-	DK2.0	-	GX	-				-	LX
BZ	BZ	-	QZ1.0	-	TJ	-				-	ST
TJ	TJ	-	ZQ1.0	-	CX	-				-	GS
SW	SW	-	TJ1.0	-	AI	-				-	KP
GD	GD	-	FZ1.1	-	WJ	-				-	PG
		-	W20	-	YY	-				-	SD
		-	Y30	-	GG	-				-	
		-	C50	-	KJ	-				-	
		-	KM45	-	GS	-				-	
		-	XG1.0	-	LC	-				-	
		-	NC1.0	-	ZG	-				-	
		-		-	BP	-				-	
		-		-	YM	-				-	

产品图标释义 PRODUCT ICON DEFINITION

按防尘、防固体异物和防水等级分类:
IP Rating



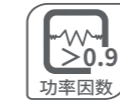
抗击等级:
IK Rating



额定电压:
Rated Voltage



功率因数:
Power Factor



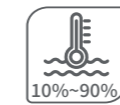
控制协议:
Control Protocol



灯具工作环境温度:
Operating Temperature



环境湿度:
Ambient Humidity



EVO基础学科平台:
EVO R&D Platform



灯具认证:
Compliance



产品目录

PRODUCT CATALOG

视频像素灯 P001~P020

LONG-RANGE HIGH-DEFINITION VIDEO PIXEL LIGHT

长空系列
CHANGKONG SERIES

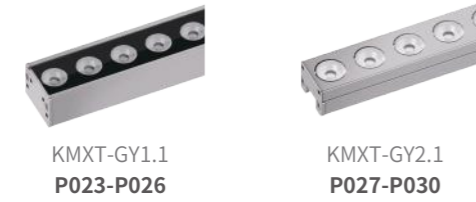


KMSp-CKDMX-1.0 P003-P006
KMSp-CKDMX-1.1 P007-P010
KMSp-CKSPI-1.0 P011-P014
KMSp-CKSPI-1.1 P015-P018

线条灯 P021~P094

LINEAR LUMINAIRE

孤影系列
GUYING SERIES



KMXT-GY1.1 P023-P026
KMXT-GY2.1 P027-P030

MINI系列
MINI SERIES



KMXT-MN1.0 P031-P034
KMXT-MN2.1 P035-P038
KMXT-MN3.0 P039-P042

极光系列
JIGUANG SERIES



KMXT-JG1.0 P043-P046
KMXT-JG1.1 P047-P050
KMXT-JG2.0 P051-P054
KMXT-JG3.0 P055-P058
KMXT-JG4.0 P059-P062

星汇系列
XINGHUI SERIES



KMXT-XH1.0 P063-P066
KMXT-XH2.0 P067-P070
KMXT-XH3.0 P071-P074
KMXT-XH4.0 P075-P078

幻影系列
HUANYING SERIES



KMXT-HY1.0 P079-P082
KMXT-HY2.0 P083-P086
KMXT-HY3.0 P087-P090
KMXT-HY4.0 P091-P094

洗墙灯 P095~P128

WALL WASHER

小青龙系列
XIAOQINGLONG SERIES



KMXQ-XQL1.1 P097-P100
KMXQ-XQL2.1 P101-P104

白虎系列
BAIHU SERIES



KMXQ-BH1.0 P105-P108
KMXQ-BH2.0 P109-P112
KMXQ-BH3.0 P113-P116
KMXQ-BH4.0 P117-P120

太平系列
TAIPING SERIES



KMXQ-TP1.0 P121-P124
KMXQ-TP2.0 P125-P128

投光灯 P129~P198

PROJECTOR

弹壳系列
DANKE SERIES



KMTG-DK1.0 P131-P134
KMTG-DK2.0 P135-P138

宋玉系列
SONGYU SERIES



KMTG-SY2.0 P139-P142

太极系列
TAIJI SERIES



KMTG-TJ1.0 P143-P146
KMTG-TJ2.0 P147-P150
KMTG-TJ3.0 P151-P154
KMTG-TJ4.0 P155-P158

玉玺系列
YUXI SERIES



KMTG-YX1.0 P159-P162
KMTG-YX2.1 P163-P166

朱雀系列
ZHUQUE SERIES



KMTG-ZQ1.0 P167-P170
KMTG-ZQ2.0 P171-P174
KMTG-ZQ3.0 P175-P178

投光灯 P129~P198

PROJECTOR

方舟系列

FANGZHOU SERIES



KMTG-FZ1.1
P179-P182



KMTG-FZ2.1
P183-P186



KMTG-FZ3.1
P187-P190



KMTG-FZ3.2
P191-P194



KMTG-FZ3.3
P195-P198

点光源 P199~P252

POINT LIGHT SOURCE

W系列

W SERIES



KMDG-W20
P201-P204



KMDG-W30
P205-P208

Y系列

Y SERIES



KMDG-Y30
P209-P212



KMDG-Y40
P213-P216



KMDG-Y50
P217-P220

C系列

C SERIES



KMDG-C50
P221-P224



KMDG-C80
P225-P228

KM系列

KM SERIES



KMDG-KM45
P229-P232



KMDG-KM55
P233-P236

星光系列

XINGGUANG SERIES



KMDG-XG1.0
P237-P240



KMDG-XG2.0
P241-P244



KMDG-XG3.0
P245-P248

其他系列

OTHER SERIES



KMDG-HYX
P249-P252

特种照明 P253~P350

SPECIAL LIGHTING

瓦楞灯系列

CORRUGATED LUMINAIRE SERIES



KMWL-YT1.0
P255-P258



KMWL-YT2.0
P259-P262



KMWL-YT3.0
P263-P266

照树灯系列

TREE LIGHT SERIES



KMZS-TJ1.1
P267-P270



KMZS-TJ2.1
P271-P274



KMZS-TJ3.1
P275-P278



KMZS-TJ4.1
P279-P282

抱树灯系列

TREE-HUGGING LUMINAIRE SERIES



KMBZ-SYC1.0
P283-P286



KMBZ-SYC2.0
P287-P290



KMBZ-XL1.0
P291-P294

水纹灯系列

WATER WAVE LAMP SERIES



KMSW-YT1.1
P295-P298



KMSW-YT1.2
P299-P302

护栏灯系列

GUARDRAIL LAMP SERIES



KMHL-BA1.0
P303-P306

窗台灯系列

WINDOW SILL LUMINAIRE SERIES



KMCT-NC1.0
P307-P310



KMCT-NC2.0
P311-P314



KMCT-NC3.0
P315-P318



KMCT-XL1.0
P319-P322

台阶灯系列

STEP LAMP SERIES



KMTJ-TB1.0
P323-P326



KMTJ-T347
P327-P330



KMTJ-GY1.0
P331-P334

步道灯系列

PATH LUMINAIRE SERIES



KMGD-JC1.0
P335-P338



KMGD-JGZ1.0
P339-P342



KMGD-MD1.0
P343-P346

导光板系列

LIGHT GUIDE PLATE



KMGB-GL1.0
P347-P350

壁灯 P351~P420

WALL LAMP

天星系列 TIANXING SERIES



KMBD-TX1.0
P353-P356



KMBD-TX2.0
P357-P360

中原系列 ZHONGYUAN SERIES



KMBD-ZY1.1
P361-P364



KMBD-ZY2.1
P365-P368



KMBD-ZY3.1
P369-P372



KMBD-ZY1.2
P373-P376



KMBD-ZY2.2
P377-P380



KMBD-ZY3.2
P381-P384

方特系列 FANGTE SERIES



KMBD-FT1.1
P385-P388



KMBD-FT2.1
P389-P392



KMBD-FT3.1
P393-P396



KMBD-FT1.2
P397-P400



KMBD-FT2.2
P401-P404



KMBD-FT3.2
P405-P408

常春藤系列 CHANGCHUNTENG SERIES



KMBD-CCT1.0
P409-P412



KMBD-CCT2.0
P413-P416



KMBD-CCT3.0
P417-P420

控制系统 P421~P448

CONTROL SYSTEM

云控器 CLOUD CONTROLLER



KM-YK60E
P423



KM-YK90T
P424

主控器 MAIN CONTROL



KM-ZK5060
P425

KM-ZK9020
P426

KM-3F12B
P427

KM-3F23S
P428

SPI主控器 SPI MAIN CONTROL



KM-DLZK200
P429

KM-DLZK400
P430

KM-DLZK1200
P431

KM-DLZK2000
P432

KM-YTZK10
P433

KM-YTZK40
P434

SPI分控器 SPI SUB CONTROL



KM-SH100
P435

集成智能控制箱
INTEGRATED INTELLIGENT
CONTROL BOX

KM-FK8060 (8030/8040/8060)
P435

电源箱
INTEGRATED
POWER SUPPLY BO

KM-DX3K (3K/6K/9K/12K)
P436

分控器 SUB CONTROL



KM-FK2030
P437

KM-FK2060
P437

KM-228DW
P438

KM-228R
P439

一体机 ALL-IN-ONE MACHINE



KM-328DW
P442

KM-328WS(GPS)
P443

KM-502S(GPS)
P444

KM-502
P445

KM-YTZK8G
P446

写码器 ADDRESS CODER



KM-WT35
P447

KM-DS2
P448

配件 P449~P454

中继器 REPEATER



P451

电源 POWER SUPPLY



P451-P452

配件 ACCESSORY



P453-P454

LED 高清视频像素灯系列

LONG-RANGE HD VIDEO PIXEL LIGHT

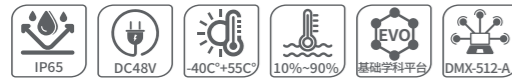
远距离高清视频像素灯特别针对超高楼、桥梁、大型场馆研发,是超高层、桥梁、大型体育场综合布线集中供电的解决方案,提升设计和安装效率,更高效、更可靠、更稳定。48V带载量可到64米,远距离传输,不受空间限制。智能云控同步信号。

Long-range high-definition video pixel lights are especially developed for super tall buildings, bridges and large venues. It is a comprehensive solution for super high-rise buildings, bridges and large stadiums with line centralized power supply , improving the design and installation efficiency, making it more efficient, more reliable and more stable. 48V load up to 64 meters, long distance transmission, not limited by space. Intelligent cloud control synchronization signal.



LED 高清视频像素灯
LONG-RANGE HD VIDEO PIXEL LIGHT - "CHANGKONG" SERIES

KMSP-CKDMX 1.0
长空-DMX1.0



技术参数/PARAMETERS

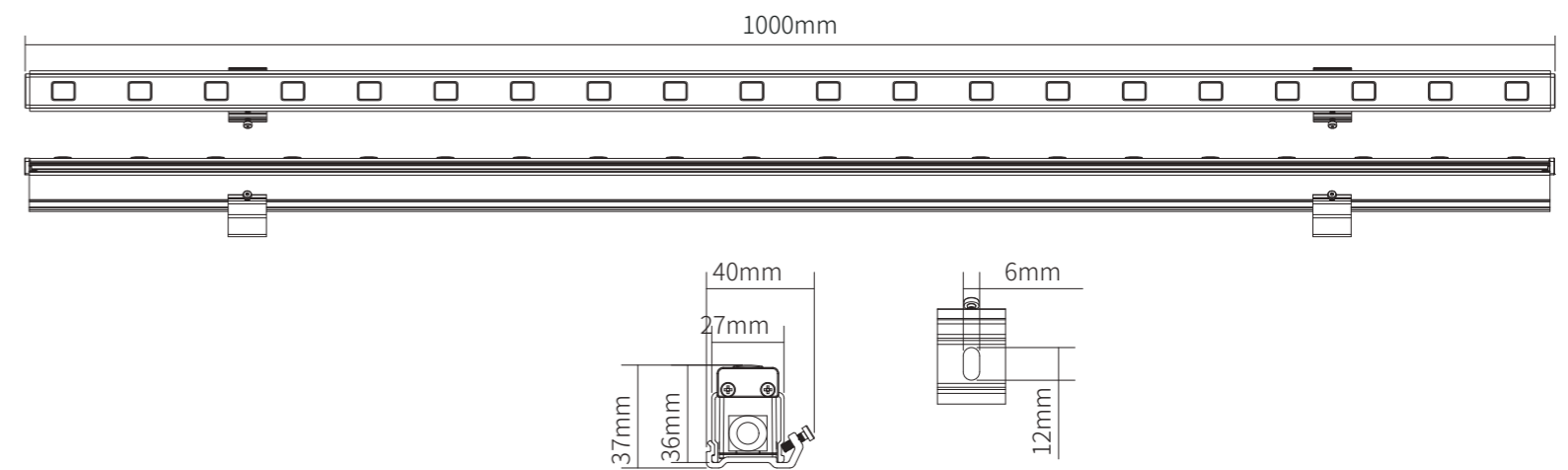
灯体材质: 6063航空铝灯体	Housing material: 6063 aviation aluminum
6063航空铝拉伸冲压面罩	6063 aviation aluminum stretch stamping cover
压铸铝堵头	Die-cast aluminum end-cap
高强度铝合金支架	High strength aluminum alloy brackets
表面处理: 表面金属粉漆质感喷涂	Surface Finish: Electrostatically applied polyester powder coat
安装: 可调角度范围:不可调角度	Installation: Non-adjustable brackets
灯具禁止安装在低洼积水处	Luminaires are not allowed to be installed in low-lying water
线材: DMX512:150mm五芯2*2.5+3*0.3mm²电源+信号防水接头线	Cable: DMX512: 150mm five-core 2*2.5+3*0.3mm²(Power and signal in a cable)

产品特性/FEATURES&BENEFITS

宽电压输入方案: 精密的方案设计, 高效输出, 响应节能战略	Wide Voltage Input: Precise electronic scheme, powerful reach and energy-saving
支持多种数据传输协议DMX512-A	Support a variety of data transmission protocol: DMX512-A
多位处理技术: 支持CCT色温调节, 白平衡管理, 色彩灰阶校正管理等功能	Multibit Processing technique: Support CCT color temperature adjustment, white balance management, color gray level correction management function.
高频帧高灰高速率4K成像: 帧率最高120Hz, 传输速率高达3Mbps 完美实现各类视频播放要求, 画面清晰流畅, 无卡顿	High-frequency frame and high rate 4K imaging: the frame change frequency is up to 120Hz, the transmission rate is up to 3Mbps to perfectly achieve all kinds of video playback requirements, the picture is clear and smooth, no delay.



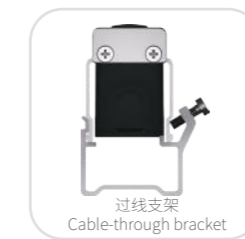
尺寸/DIMENSIONS



其他尺寸/OTHER DIMENSIONS



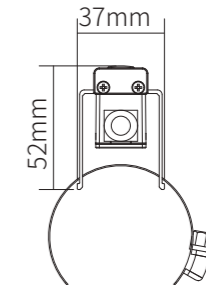
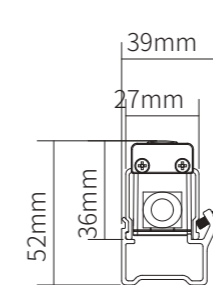
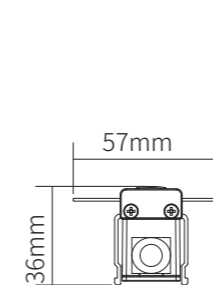
KMSP-CKDMX1.0-FY



KMSP-CKDMX1.0-GX



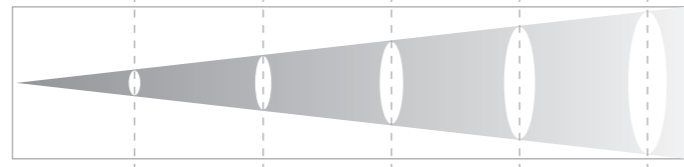
KMSP-CKDMX1.0-ZG



EVO 配件/EVO ACCESSORIES



光学数据/OPTICAL DATA



功率/Power 12W

距离m	1	2	3	4	5
105° 照度lux	96.8	24.2	10.7	6.0	3.8
光圈直径m	2.6	5.2	7.8	10.4	13.1

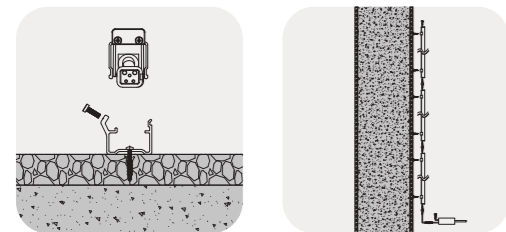
功率/Power 24W

距离m	1	2	3	4	5
105° 照度lux	191.9	47.9	21.3	12.0	7.6
光圈直径m	2.6	5.2	7.8	10.4	13.1

型号信息/MODEL INFORMATION

产品型号 Model	长度 Length	功率 Power(PCS)	电压 Voltage	色温 Color Temperature	角度 Beam Angles	控制协议 Control	芯片品牌 Chips Brand
KMSP-CKDMX1.0-PZ-160C40	L2000mm	24W(160PCS)	DC48V	RGB	105 °	DMX512-A	CREE EPISTAR SANAN
KMSP-CKDMX1.0-PZ-120C30	L1500mm	18W(120PCS)					
KMSP-CKDMX1.0-PZ-96C24	L1200mm	14W(96PCS)					
KMSP-CKDMX1.0-PZ-80C20	L1000mm	12W(80PCS)					
KMSP-CKDMX1.0-PZ-40C10	L500mm	6W(40PCS)					
KMSP-CKDMX1.0-PZ-240C40	L2000mm	40W(240PCS)					
KMSP-CKDMX1.0-PZ-180C30	L1500mm	30W(180PCS)					
KMSP-CKDMX1.0-PZ-144C24	L1200mm	24W(144PCS)					
KMSP-CKDMX1.0-PZ-120C20	L1000mm	20W(120PCS)					
KMSP-CKDMX1.0-PZ-60C10	L500mm	10W(60PCS)					

安装示意图/INSTALLATION DIAGRAM



LED 高清视频像素灯
LONG-RANGE HD VIDEO PIXEL LIGHT - "CHANGKONG" SERIES

KMSP-CKDMX1.1
长空-DMX1.1



技术参数/PARAMETERS

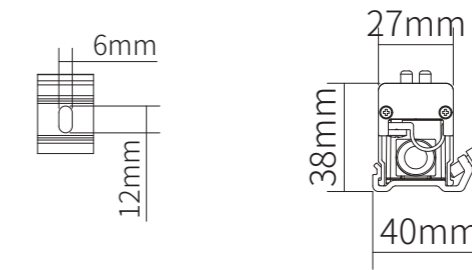
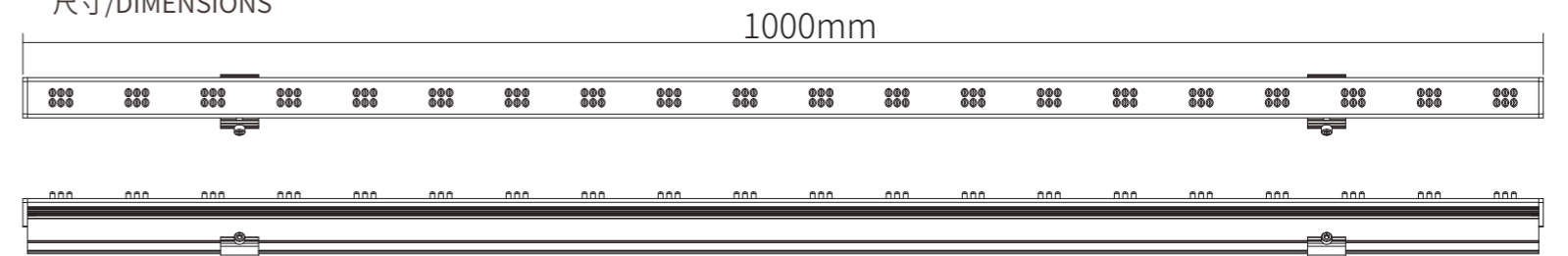
灯体材质: 6063航空铝灯体	Housing material: 6063 aviation aluminum
6063航空铝拉伸冲压面罩	6063 aviation aluminum stretch stamping cover
压铸铝堵头	Die-cast aluminum end-cap
高强度铝合金支架	High strength aluminum alloy brackets
表面处理: 表面金属漆质感喷涂	Surface Finish: Electrostatically applied polyester powder coat
安装: 可调角度范围: 不可调角度	Installation: Non-adjustable brackets
灯具禁止安装在低洼积水处	Luminaires are not allowed to be installed in low-lying water
线材: DMX512: 150mm五芯2*2.5+3*0.3mm²电源+信号防水接头线	Cable: DMX512: 150mm five-core 2*2.5+3*0.3mm²(Power and signal in a cable)

产品特性/FEATURES&BENEFITS

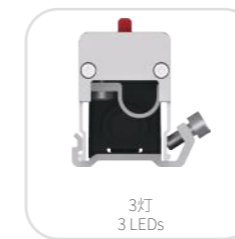
宽电压输入方案: 精密的方案设计, 高效输出, 响应节能战略	Wide Voltage Input: Precise electronic scheme, powerful reach and energy-saving
支持多种数据传输协议DMX512-A	Support a variety of data transmission protocol: DMX512-A
多位处理技术: 支持CCT色温调节, 白平衡管理, 色彩灰阶校正管理等功能	Multibit Processing technique: Support CCT color temperature adjustment, white balance management, color gray level correction management function
高频帧高灰高速率4K成像: 换帧频率最高120Hz, 传输速率高达3Mbps 完美实现各类视频播放要求, 画面清晰流畅, 无卡顿	High-frequency frame and high rate 4K imaging: the frame change frequency is up to 120Hz, the transmission rate is up to 3Mbps to perfectly achieve all kinds of video playback requirements, the picture is clear and smooth, no delay.



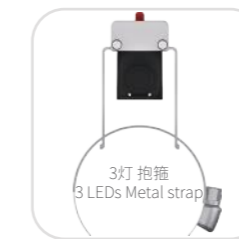
尺寸/DIMENSIONS



其他尺寸/OTHER DIMENSIONS



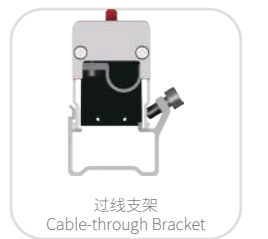
KMSP-CKDMX1.1-PZ



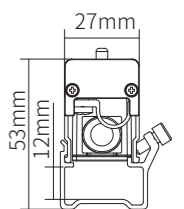
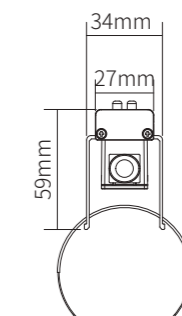
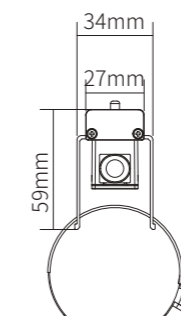
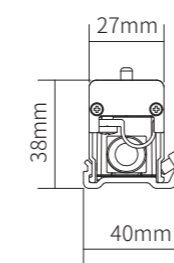
KMSP-CKDMX1.1-ZG



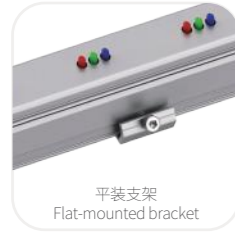
KMSP-CKDMX1.1-ZG



KMSP-CKDMX1.1-GX



EVO 配件/EVO ACCESSORIES



平装支架
Flat-mounted bracket



抱箍
Metal strap

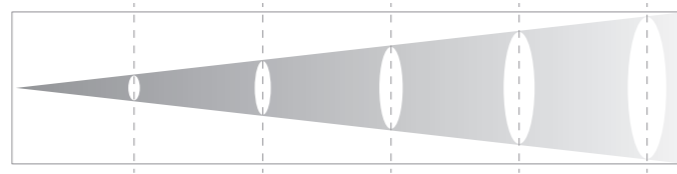


信号终结器
Signal terminators



中继器
Repeater

光学数据/OPTICAL DATA



功率/Power 5W

距离m	1	2	3	4	5
80° 照度lux	83.9	20.9	9.3	5.2	3.3
光圈直径m	1.5	3.0	4.5	6.1	7.6

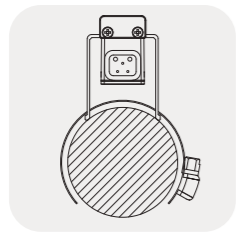
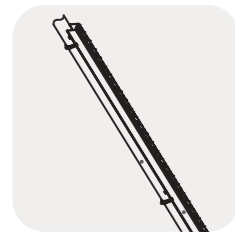
功率/Power 14W

距离m	1	2	3	4	5
80° 照度lux	242.2	60.5	26.9	15.1	9.6
光圈直径m	1.3	2.7	4.1	5.5	6.9

型号信息/MODEL INFORMATION

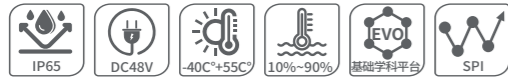
产品型号 Model	长度 Length	功率 Power(PCS)	电压 Voltage	色温 Color Temperature	角度 Beam Angles	控制协议 Control	芯片品牌 Chips Brand
KMSP-CKDMX1.1-PZ-120C40	L2000mm	9W(120PCS)	DC48V	R+G+B	65°/80°/105°	DMX512-A	CREE EPISTAR SANAN
KMSP-CKDMX1.1-PZ-90C30	L1500mm	7W(90PCS)					
KMSP-CKDMX1.1-PZ-72C24	L1200mm	6W(72PCS)					
KMSP-CKDMX1.1-PZ-60C20	L1000mm	5W(60PCS)					
KMSP-CKDMX1.1-PZ-30C10	L500mm	2W(30PCS)					
KMSP-CKDMX1.1-PZ-240C40	L2000mm	18W(240PCS)					
KMSP-CKDMX1.1-PZ-180C30	L1500mm	14W(180PCS)					
KMSP-CKDMX1.1-PZ-144C24	L1200mm	11W(144PCS)					
KMSP-CKDMX1.1-PZ-120C20	L1000mm	9W(120PCS)					
KMSP-CKDMX1.1-PZ-60C10	L500mm	5W(60PCS)					

安装示意图/INSTALLATION DIAGRAM



LED 高清视频像素灯
LONG-RANGE HD VIDEO PIXEL LIGHT - "CHANGKONG" SERIES

KMSP-CKSPI1.0
长空-SPI1.0

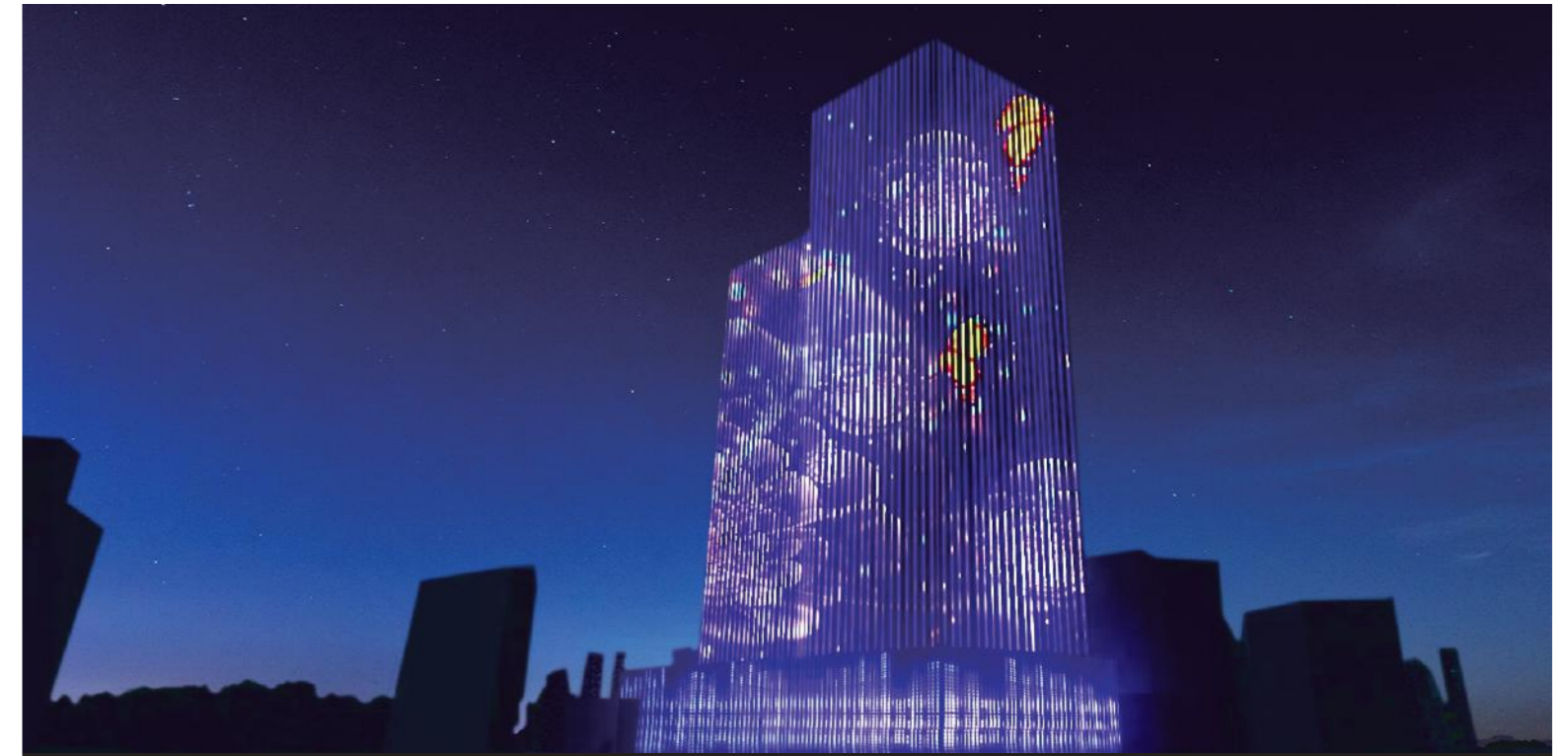


技术参数/PARAMETERS

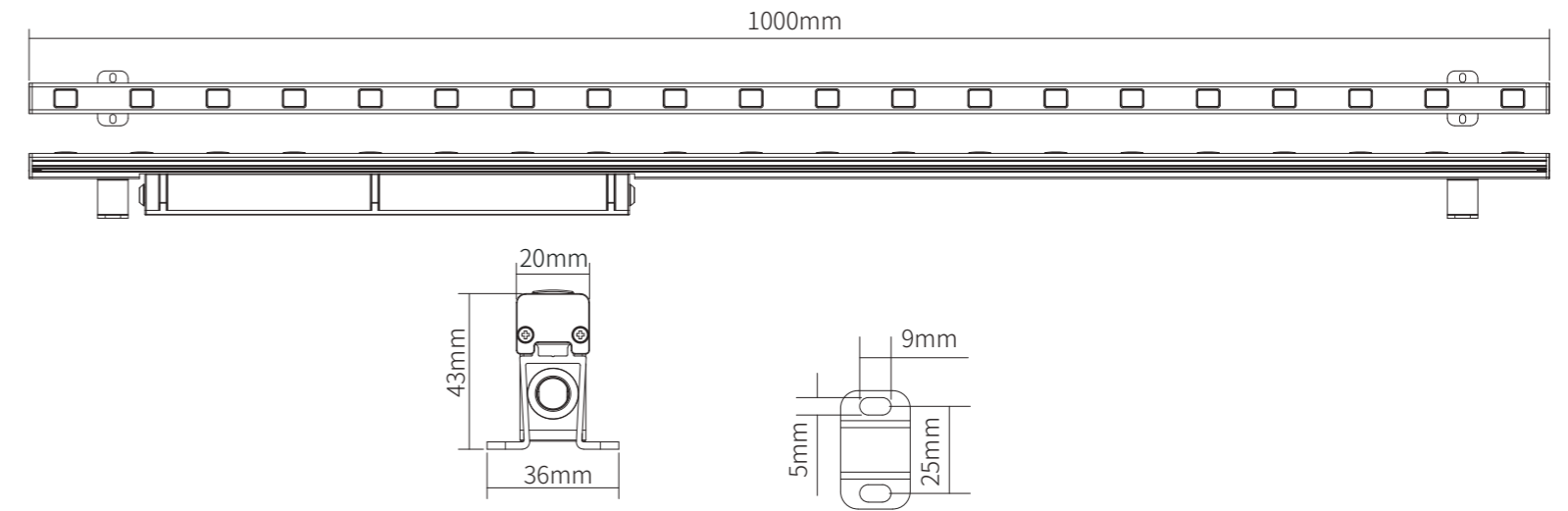
灯体材质: 6063航空铝灯体	Housing material: 6063 aviation aluminum
6063航空铝拉伸冲压面罩	6063 aviation aluminum stretch stamping cover
压铸铝堵头	Die-cast aluminum end-cap
高强度铝合金支架	High strength aluminum alloy brackets
表面处理: 表面金属粉漆质感喷涂	Surface Finish: Electrostatically applied polyester powder coat
安 装: 可调角度范围:不可调角度	Installation: Non-adjustable brackets
灯具禁止安装在低洼积水处	Luminaires are not allowed to be installed in low-lying water
线 材: SPI:150mm五芯2*2.0+3*0.3mm ² 电源+信号千兆网速防水接头线	Cable: SPI: 150mm five-core 2*2.0+3*0.3mm ² (power + signal 100 Megabit network speed cable)

产品特性/FEATURES&BENEFITS

宽电压输入方案: 精密的方案设计, 高效输出, 响应节能战略	Wide Voltage Input: Precise electronic scheme, powerful reach and energy-saving
支持数据传输协议SPI	Support data transmission protocol SPI
多位处理技术: 支持CCT色温调节, 白平衡管理, 色彩灰阶校正管理等功能	Multibit Processing technique: Support CCT color temperature adjustment, white balance management, color gray level correction management function.
高频帧高灰高速率4K成像: 帧频最高120Hz, 传输速率高达20.83Mbps 完美实现各类视频播放要求, 画面清晰流畅, 无卡顿	High-frequency frame and high rate 4K imaging: the frame change frequency is up to 120Hz, the transmission rate is up to 20.83Mbps to perfectly achieve all kinds of video playback requirements, the picture is clear and smooth, no delay.



尺寸/DIMENSIONS



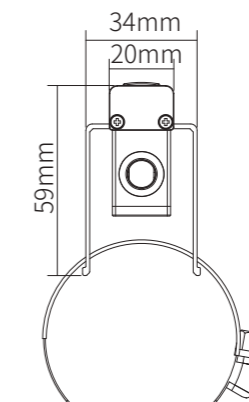
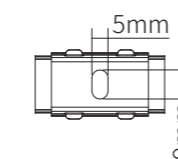
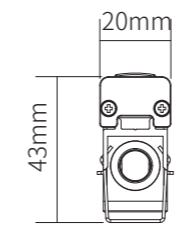
其他尺寸/OTHER DIMENSIONS



KMSP-CKSPI-1.0-TK



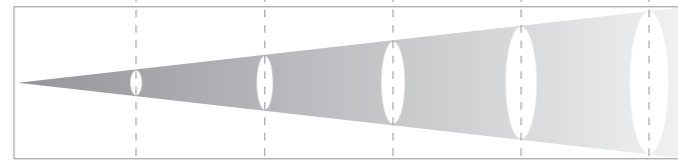
KMSP-CKSPI-1.0-ZG



EVO 配件/EVO ACCESSORIES



光学数据/OPTICAL DATA



功率/Power 12W

距离m	1	2	3	4	5
105° 照度lux	96.8	24.2	10.7	6.0	3.8
光圈直径m	2.6	5.2	7.8	10.4	13.1

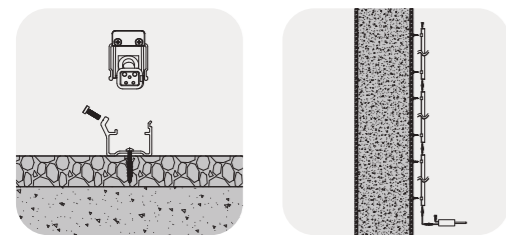
功率/Power 24W

距离m	1	2	3	4	5
105° 照度lux	191.9	47.9	21.3	12.0	7.6
光圈直径m	2.6	5.2	7.8	10.4	13.1

型号信息/MODEL INFORMATION

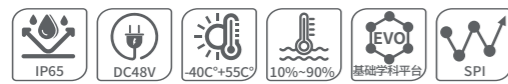
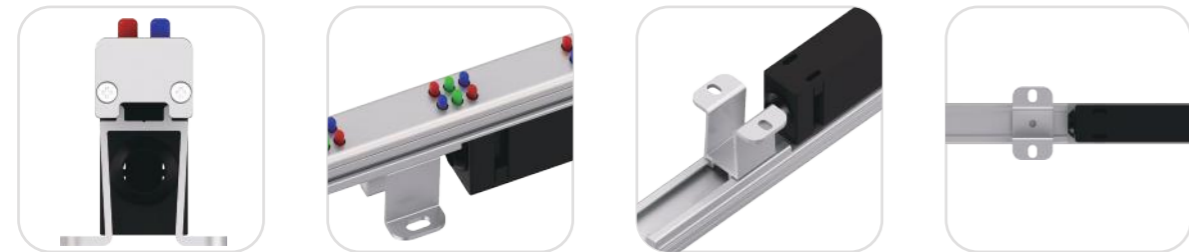
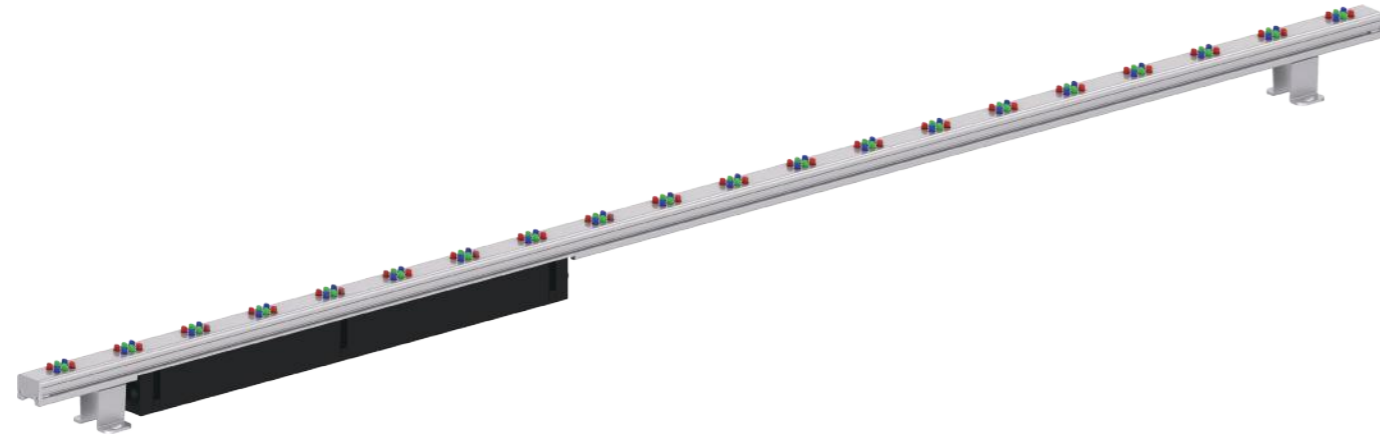
产品型号 Model	长度 Length	功率 Power(PCS)	电压 Voltage	色温 Color Temperature	角度 Beam Angles	控制协议 Control	芯片品牌 Chips Brand
KMSP-CKSPI1.0-PZ-160C40	L2000mm	24W(160PCS)	DC48V	RGB	105°	SPI	CREE EPISTAR SANAN
KMSP-CKSPI1.0-PZ-120C30	L1500mm	18W(120PCS)					
KMSP-CKSPI1.0-PZ-96C24	L1200mm	14W(96PCS)					
KMSP-CKSPI1.0-PZ-80C20	L1000mm	12W(80PCS)					
KMSP-CKSPI1.0-PZ-40C10	L500mm	6W(40PCS)					
KMSP-CKSPI1.0-PZ-240C40	L2000mm	40W(240PCS)					
KMSP-CKSPI1.0-PZ-180C30	L1500mm	30W(180PCS)					
KMSP-CKSPI1.0-PZ-144C24	L1200mm	24W(144PCS)					
KMSP-CKSPI1.0-PZ-120C20	L1000mm	20W(120PCS)					
KMSP-CKSPI1.0-PZ-60C10	L500mm	10W(60PCS)					

安装示意图/INSTALLATION DIAGRAM



LED 高清视频像素灯
LONG-RANGE HD VIDEO PIXEL LIGHT - "CHANGKONG" SERIES

KMSP-CKSPI1.1
长空-SPI1.1

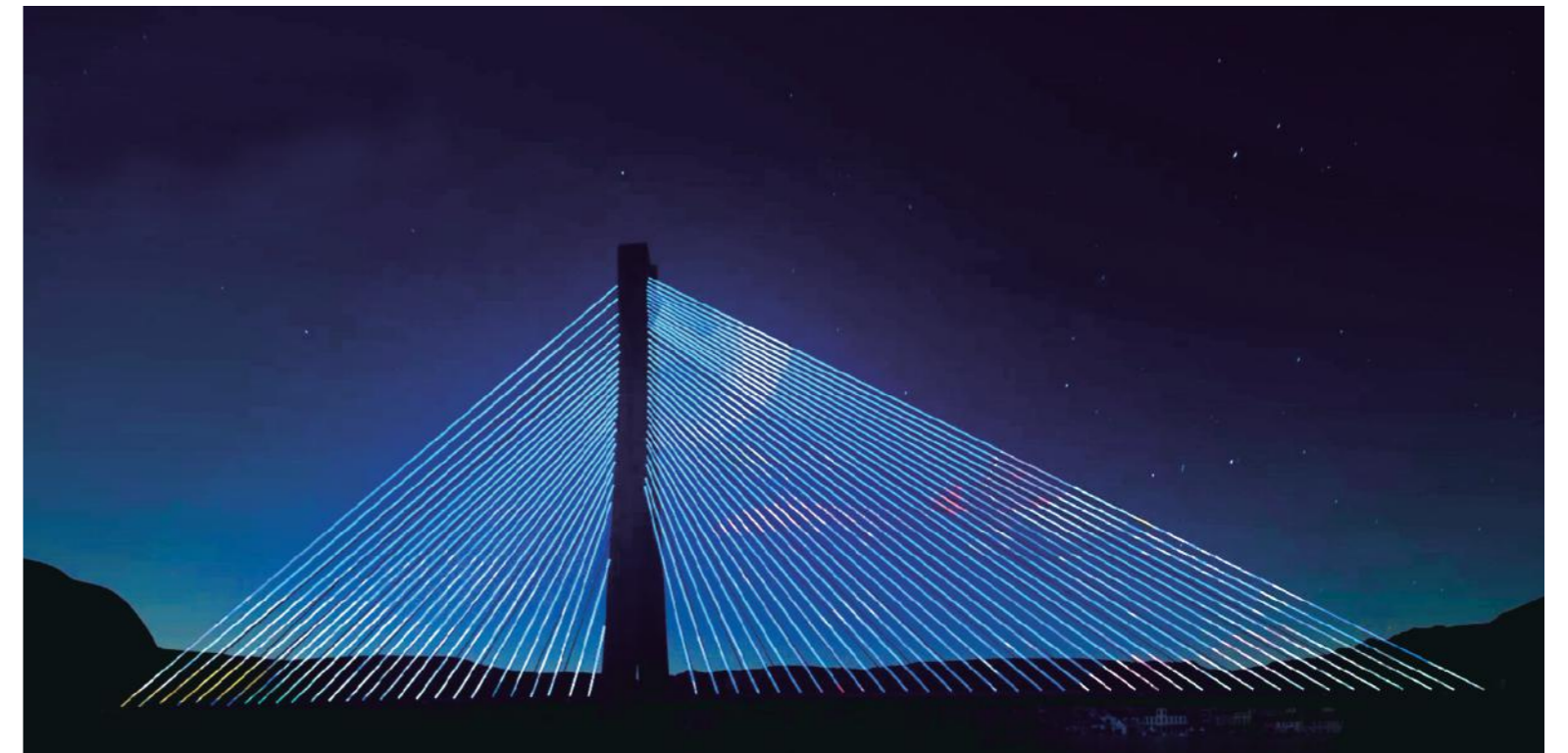


技术参数/PARAMETERS

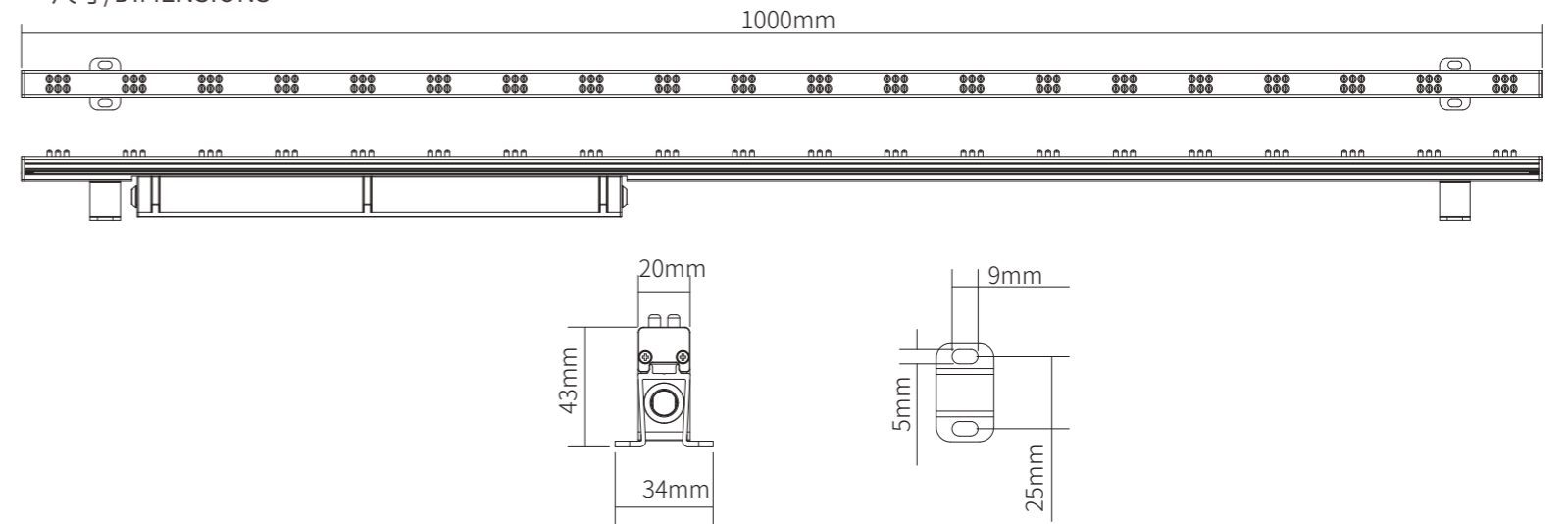
灯体材质: 6063航空铝灯体	Housing material: 6063 aviation aluminum
6063航空铝拉伸冲压面罩	6063 aviation aluminum stretch stamping cover
压铸铝堵头	Die-cast aluminum end-cap
高强度铝合金支架	High strength aluminum alloy brackets
表面处理: 表面金属粉漆质感喷涂	Surface Finish: Electrostatically applied polyester powder coat
安装: 可调角度范围: 不可调角度	Installation: Non-adjustable brackets
灯具禁止安装在低洼积水处	Luminaires are not allowed to be installed in low-lying water
线材: SPI: 150mm芯2*2.0+3*0.3mm2电源+信号百兆网速防水接头线	Cable: SPI: 150mm five-core 2*2.0+3*0.3mm ² (power + signal 100 Megabit network speed cable)

产品特性/FEATURES&BENEFITS

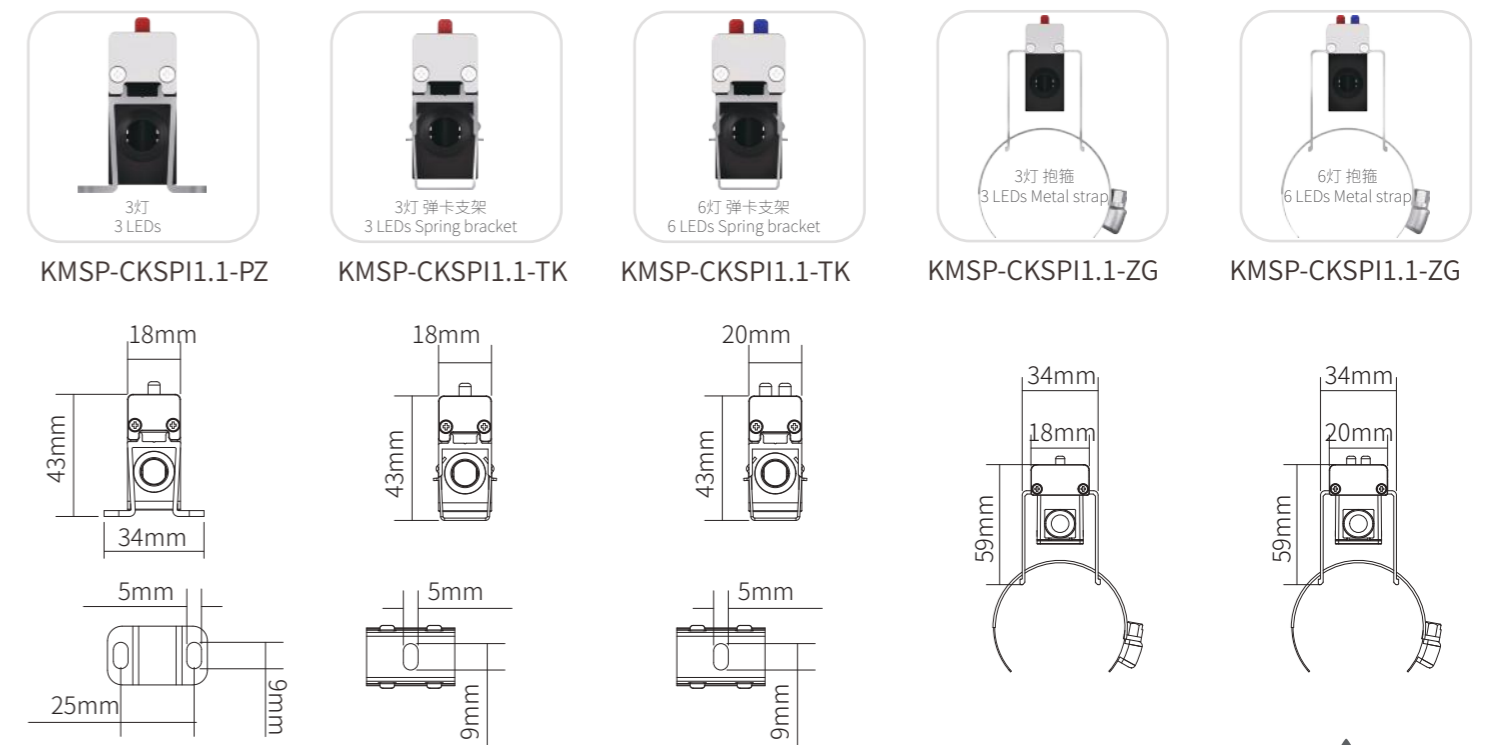
宽电压输入方案: 精密的方案设计, 高效输出, 响应节能战略	Wide Voltage Input: Precise electronic scheme, powerful reach and energy-saving
支持数据传输协议SPI	Support data transmission protocol SPI
多位处理技术: 支持CCT色温调节, 白平衡管理, 色彩灰阶校正管理等功能	Multibit Processing technique: Support CCT color temperature adjustment, white balance management, color gray level correction management function.
高频帧高灰高帧率4K成像: 帧率最高120Hz, 传输速率高达20.83Mbps 完美实现各类视频播放要求, 画面清晰流畅, 无卡顿	High-frequency frame and high rate 4K imaging: the frame change frequency is up to 120Hz, the transmission rate is up to 20.83Mbps to perfectly achieve all kinds of video playback requirements, the picture is clear and smooth, no delay.



尺寸/DIMENSIONS



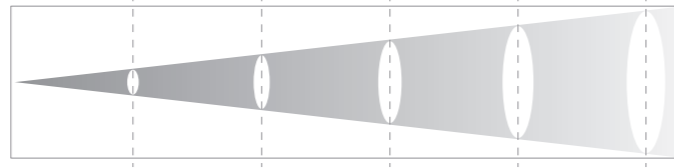
其他尺寸/OTHER DIMENSIONS



EVO 配件/EVO ACCESSORIES



光学数据/OPTICAL DATA



功率/Power 5W

距离m	1	2	3	4	5
80° 照度lux	83.9	20.9	9.3	5.2	3.3
光圈直径m	1.5	3.0	4.5	6.1	7.6

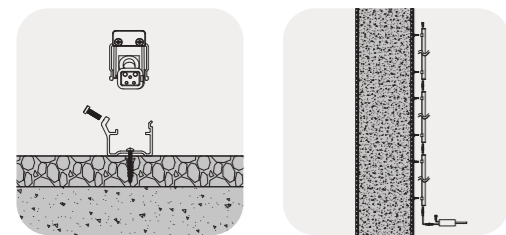
功率/Power 14W

距离m	1	2	3	4	5
80° 照度lux	242.2	60.5	26.9	15.1	9.6
光圈直径m	1.3	2.7	4.1	5.5	6.9

型号信息/MODEL INFORMATION

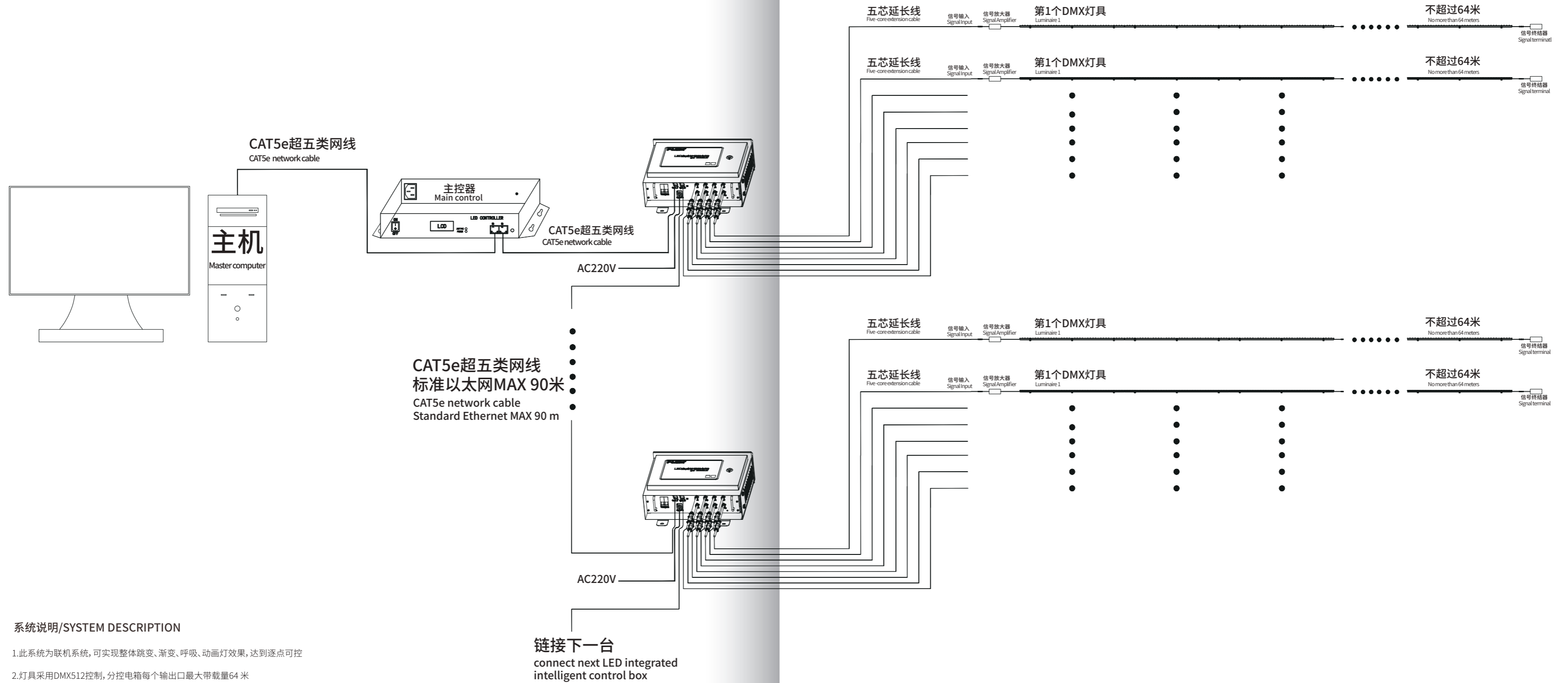
产品型号 Model	长度 Length	功率 Power(PCS)	电压 Voltage	色温 Color Temperature	角度 Beam Angles	控制协议 Control	芯片品牌 Chips Brand
KMSP-CKSPI1.1-PZ-120C40	L2000mm	9W(120PCS)	DC48V	R+G+B	65°/80°/105°	SPI	CREE EPISTAR SANAN
KMSP-CKSPI1.1-PZ-90C30	L1500mm	7W(90PCS)					
KMSP-CKSPI1.1-PZ-72C24	L1200mm	6W(72PCS)					
KMSP-CKSPI1.1-PZ-60C20	L1000mm	5W(60PCS)					
KMSP-CKSPI1.1-PZ-30C10	L500mm	2W(30PCS)					
KMSP-CKSPI1.1-PZ-240C40	L2000mm	18W(240PCS)					
KMSP-CKSPI1.1-PZ-180C30	L1500mm	14W(180PCS)					
KMSP-CKSPI1.1-PZ-144C24	L1200mm	11W(144PCS)					
KMSP-CKSPI1.1-PZ-120C20	L1000mm	9W(120PCS)					
KMSP-CKSPI1.1-PZ-60C10	L500mm	5W(60PCS)					

安装示意图/INSTALLATION DIAGRAM



LED 高清视频像素灯
LONG-RANGE HD VIDEO PIXEL LIGHT - "CHANGKONG" SERIES

远距离传输原理图/ SCHEMATIC DIAGRAM OF LONG-DISTANCE TRANSMISSION



系统说明/SYSTEM DESCRIPTION

1. 此系统为联机系统, 可实现整体跳变、渐变、呼吸、动画灯效果, 达到逐点可控
2. 灯具采用DMX512控制, 分控电箱每个输出口最大带载量64米
3. 灯具供电电源由分控电箱输出, 最大带载长度90米, 禁止超负荷带载
4. 主机播放器与分控之间最大距离不得超过90米, 分控与分控之间最大距离不超过90米, 超过90米请选用光纤敷设

1. This system is an online system that can achieve overall jumping, gradient, breathing, and animated light effects, achieving point by point controllability;
2. The lighting fixtures are controlled by DMX512, and each output port of the sub control box has a maximum load of nearly 64 meters;
3. The power supply for the lighting fixtures is output from the sub control box, with a maximum load length of 90 meters. Overloading is prohibited;
4. The maximum distance between the host player and the sub control should not exceed 90 meters, and the maximum distance between the sub control and sub control should not exceed 90 meters. If it exceeds 90 meters, please choose fiber optic cable laying.

LED 线条灯系列 LED LINEAR LUMINAIRE

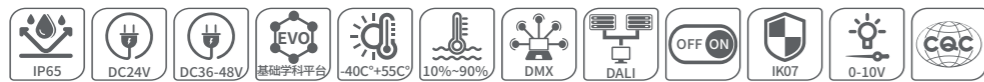
LED线条灯系列是一种高端的线性装饰灯,其特点是耗电低,寿命长,高亮度,免维护等特别适合室内户外照明,建筑物轮廓勾画及屏幕动画效果等。

LED linear luminaire is a high-end linear decorative light, which is characterized by low power consumption, long life, high brightness, maintenance-free, especially suitable for indoor and outdoor lighting, building contouring and screen animation effects.



LED 线条灯 /LED LINEAR LUMINAIRE

KMXT-GY 1.1
孤影 1.1



技术参数/PARAMETERS

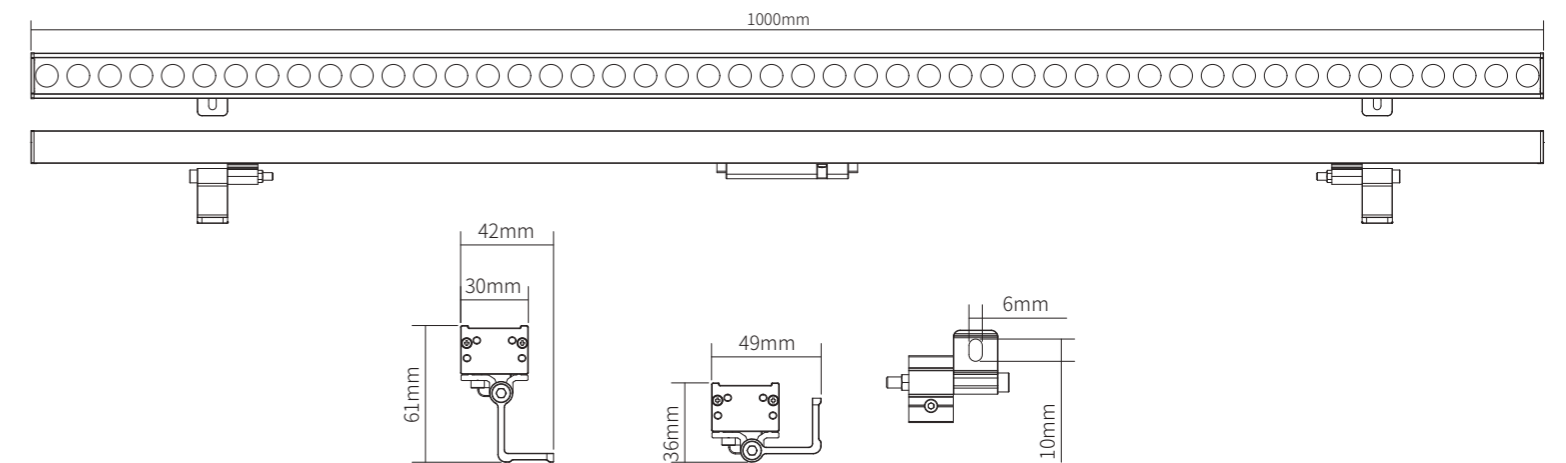
灯体材质: 6063航空铝灯体	Housing material: 6063 aviation aluminum
超白钢化玻璃	Ultra-clear tempered glass
压铸铝堵头	Die-cast aluminum end-cap
高强度铝合金支架	High strength aluminum alloy bracket
表面处理: 表面金属粉漆质感喷涂	Surface Finish: Electrostatically applied polyester powder coat
安装: 可调角度范围:垂直方向90°	Installation: Luminaires Rotation: 90°
灯具禁止安装在低洼积水处	Luminaires are not allowed to be installed in low-lying water
线材: ON/OFF、0-10V、DALI:100mm两芯1mm²电源防水接头线	Cable: ON/OFF/ 0-10V/ DALI: 100mm two-core 1mm² (Power cable)
DMX512:100mm五芯2*1+3*0.3mm²电源+信号防水接头线	DMX512:100mm five-core 2*1+3*0.3mm²(Power and signal in a cable)

产品特性/FEATURES&BENEFITS

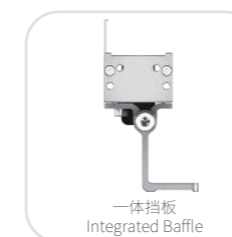
巧精致, 易隐藏, 完美融入安装场景	Small size and delicate, easy to hide, perfect into the installation scene
支持宽电压输入方案: 精密的方案设计, 高效输出, 响应节能战略	Wide Voltage Input: Precise electronic scheme, powerful reach and energy-saving
支持多种数据传输协议DMX512,0-10V,DALI	Support a variety of data transmission protocols :DMX512,0-10V,DALI
多位处理技术:支持亮度调节, 内置亮灯模式设置, 自动编码	Multi-bit processing technology: Support brightness adjustment, built-in lighting mode setting, automatic coding



尺寸/DIMENSIONS



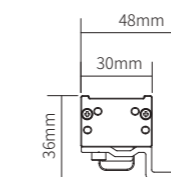
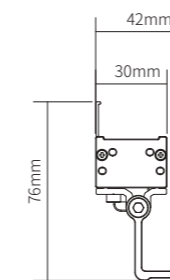
其他尺寸/OTHER DIMENSIONS



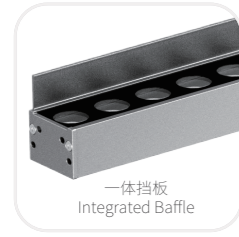
一体挡板
Integrated Baffle
KMXT-GY1.1-TJ-YT



平装支架
Flat-mounted bracket
KMXT-GY1.1-PZ



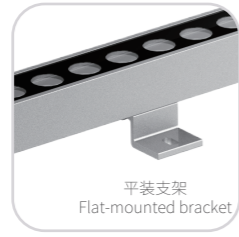
EVO 配件/EVO ACCESSORIES



一体挡板
Integrated Baffle



调节支架
Adjustable bracket

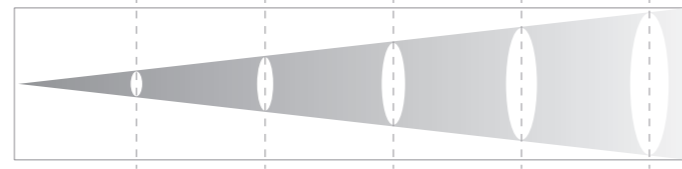


平装支架
Flat-mounted bracket



304不锈钢防坠链
304 stainless steel anti-fall chain

光学数据/OPTICAL DATA



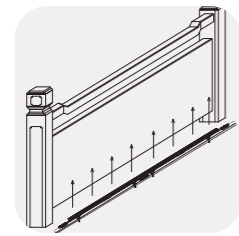
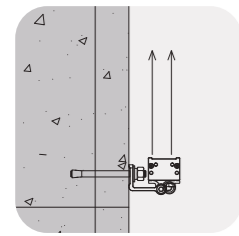
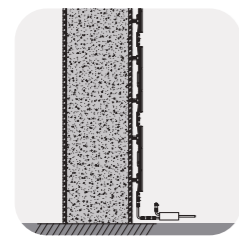
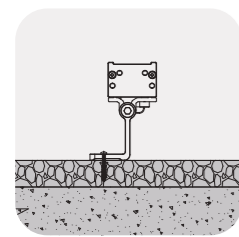
功率/Power 12W

距离 m	0.5	1	1.5	2	2.5
40°45° 照度 LUX	2583.7	645.9	287.0	161.4	103.3
光圈直径 m	0.3	0.7	1.0	1.4	1.7
距离 m	0.5	1	1.5	2	2.5
25° 照度 LUX	7360.6	1840.1	817.8	460.0	294.4
光圈直径 m	0.2	0.4	0.7	0.9	1.1
距离 m	0.5	1	1.5	2	2.5
30° 照度 LUX	5708.5	1427.1	634.2	356.7	228.3
光圈直径 m	0.2	0.5	0.7	1.0	1.2
距离 m	0.5	1	1.5	2	2.5
35° 照度 LUX	4249.5	1062.4	472.1	265.6	169.9
光圈直径 m	0.3	0.6	0.9	1.2	1.5
距离 m	0.5	1	1.5	2	2.5
50° 照度 LUX	3097.9	774.4	344.2	193.6	123.9
光圈直径 m	0.4	0.9	1.3	1.8	2.3

型号信息/MODEL INFORMATION

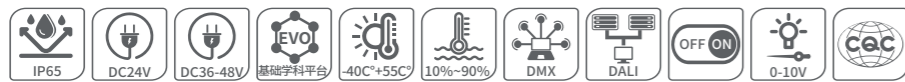
产品型号 Model	长度 Length	功率 Power	电压 Voltage	色温 Color Temperature	角度 Beam Angles	控制协议 Control	芯片品牌 Chips Brand
KMXT-GY1.1-LX-48A/B/C8	L1000mm	12W	DC24V DC36-48V	1800K-6500K 1800K-3000K+4000K-6500K RGB	40°45°(25°、30°、 35°、50°)	ON/OFF DMX512 0-10V DALI	CREE OSRAM EPISTAR LUMILEDS SANAN
KMXT-GY1.1-LX-24A/B/C4	L500mm	6W					
KMXT-GY1.1-LX-12A/B/C2	L250mm	3W					
KMXT-GY1.1-LX-48B/D8	L1000mm	15W					
KMXT-GY1.1-LX-24B/D4	L500mm	7.5W					
KMXT-GY1.1-LX-12B/D2	L250mm	4W	1800K-3000K+4000K-6500K RGBW				

安装示意图/INSTALLATION DIAGRAM



LED 线条灯 /LED LINEAR LUMINAIRE

KMXT-GY 2.1
孤影 2.1



技术参数/PARAMETERS

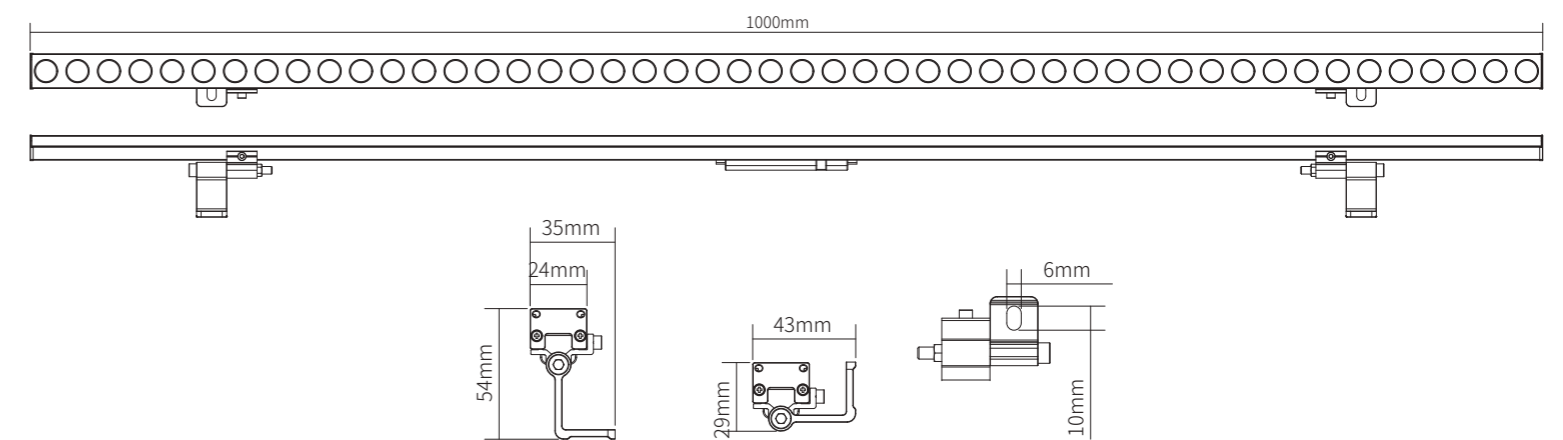
灯体材质: 6063航空铝灯体	Housing material: 6063 aviation aluminum
高强度冲孔面罩	High-strength punched mask
压铸铝堵头	Die-cast aluminum end-cap
高强度铝合金支架	High strength aluminum alloy bracket
表面处理: 表面金属粉漆质感喷涂	Surface Finish: Electrostatically applied polyester powder coat
安装: 可调角度范围: 垂直方向90°	Installation: Luminaires Rotation: 90°
灯具禁止安装在低洼积水处	Luminaires are not allowed to be installed in low-lying water
线材: ON/OFF、0-10V、DALI:100mm两芯1mm²电源防水接头线	Cable: ON/OFF/ 0-10V/ DALI: 100mm two-core 1mm² (Power cable)
DMX512:100mm五芯2*1+3*0.3mm²电源+信号防水接头线	DMX512:100mm five-core 2*1+3*0.3mm² (Power and signal in a cable)

产品特性/FEATURES&BENEFITS

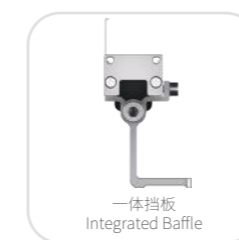
巧精致, 易隐藏, 完美融入安装场景	Small size and delicate, easy to hide, perfect into the installation scene
支持宽电压输入方案: 精密的方案设计, 高效输出, 响应节能战略	Wide Voltage Input: Precise electronic scheme, powerful reach and energy-saving
支持多种数据传输协议DMX512,0-10V,DALI	Support a variety of data transmission protocols: DMX512,0-10V,DALI
多位处理技术: 支持亮度调节, 内置亮灯模式设置, 自动编码	Multi-bit processing technology: Support brightness adjustment, built-in lighting mode setting, automatic coding



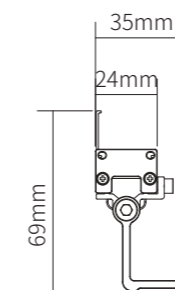
尺寸/DIMENSIONS



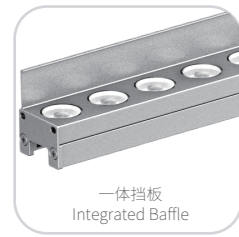
其他尺寸/OTHER DIMENSIONS



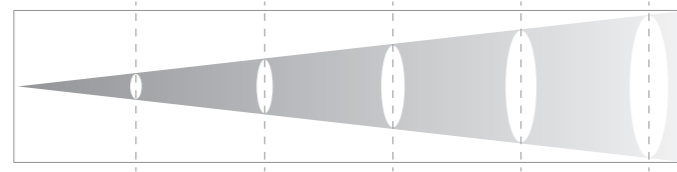
KMXT-GY2.1-TJ-YT



EVO 配件/EVO ACCESSORIES



光学数据/OPTICAL DATA



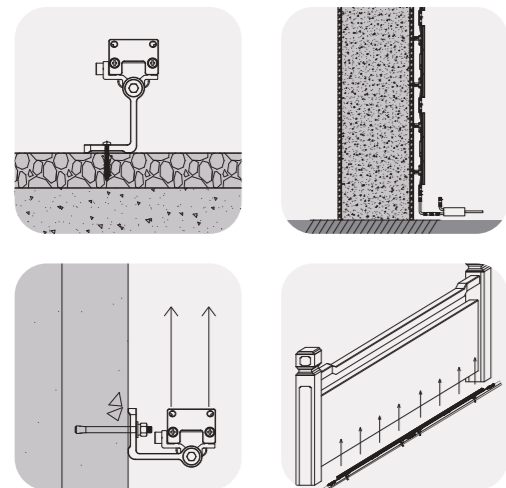
功率/Power 12W

距离m	0.5	1	1.5	2	2.5	
40°45°	照度LUX	2852.8	713.2	316.9	178.3	114.1
	光圈直径m	0.3	0.7	1.0	1.4	1.7
	距离m	0.5	1	1.5	2	2.5
25°	照度LUX	8075.0	2018.7	897.2	504.6	323.0
	光圈直径m	0.2	0.4	0.7	0.9	1.1
	距离m	0.5	1	1.5	2	2.5
30°	照度LUX	6196.0	1549.0	688.4	387.2	247.8
	光圈直径m	0.2	0.5	0.7	1.0	1.2
	距离m	0.5	1	1.5	2	2.5
35°	照度LUX	4725.1	1181.3	525.0	295.3	189.0
	光圈直径m	0.3	0.6	0.9	1.2	1.6
	距离m	0.5	1	1.5	2	2.5
50°	照度LUX	3408.6	852.1	378.7	213.0	136.3
	光圈直径m	0.4	0.9	1.3	1.8	2.3

型号信息/MODEL INFORMATION

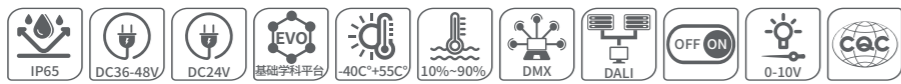
产品型号 Model	长度 Length	功率 Power	电压 Voltage	色温 Color Temperature	角度 Beam Angles	控制协议 Control	芯片品牌 Chips Brand
KMXT-GY2.1-LX-48A/B/C8	L1000mm	12W	DC24V DC36-48V	1800K-6500K 1800K-3000K+4000K-6500K RGB	40°45°(25°、30°、35°、50°)	ON/OFF DMX512 0-10V DALI	CREE OSRAM EPSTAR LUMILEDS SANAN
KMXT-GY2.1-LX-24A/B/C4	L500mm	6W					
KMXT-GY2.1-LX-12A/B/C2	L250mm	3W					
KMXT-GY2.1-LX-48B/D8	L1000mm	15W		1800K-3000K+4000K-6500K RGBW			
KMXT-GY2.1-LX-24B/D4	L500mm	7.5W					
KMXT-GY2.1-LX-12B/D2	L250mm	4W					

安装示意图/INSTALLATION DIAGRAM



LED 线条灯 /LED LINEAR LUMINAIRE

KMXT-MN 1.0
Mini 1.0

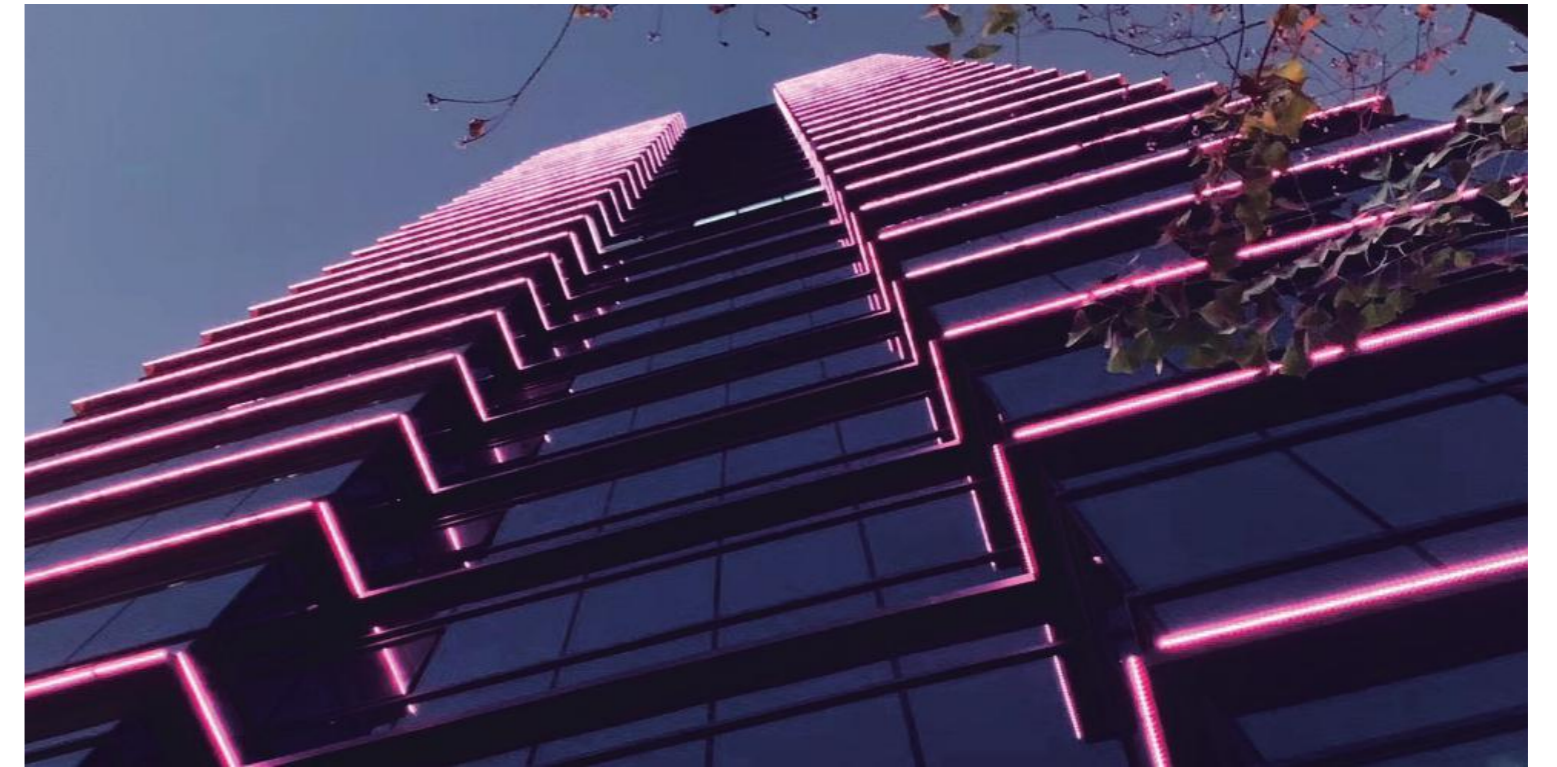


技术参数/PARAMETERS

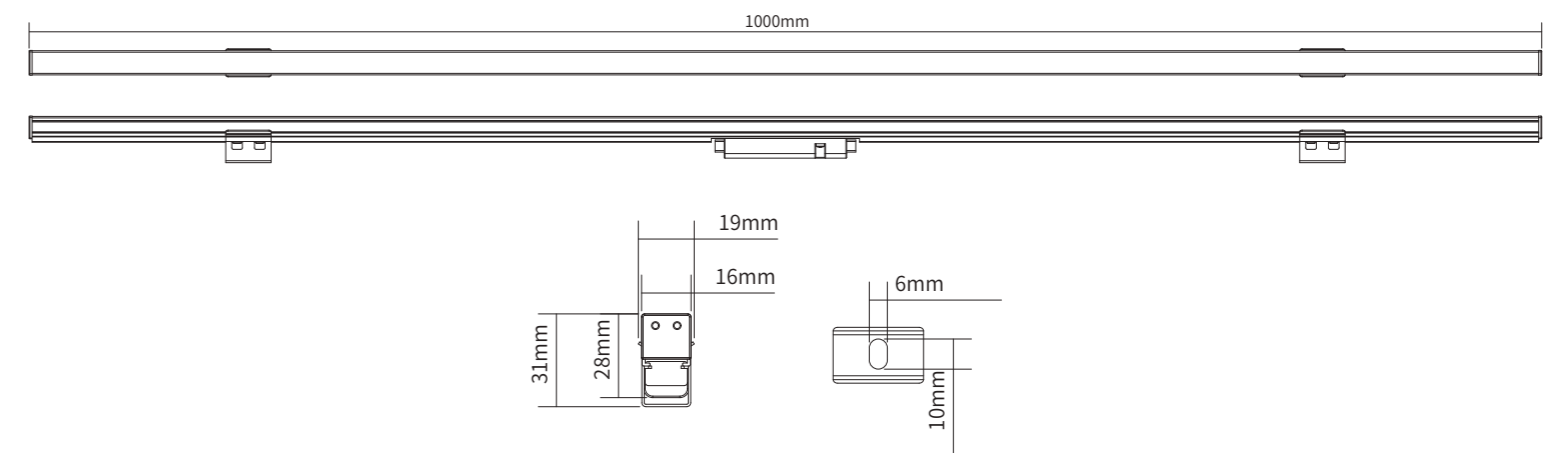
灯体材质: 6063航空铝灯体	Housing material: 6063 aviation aluminum
进口抗UV老化PC面罩	Imported anti-UV aging PC cover
PC堵头	PC end-cap
304不锈钢冲压支架	304 stainless steel stamping bracket
表面处理: 表面金属粉质感喷涂	Surface Finish: Electrostatically applied polyester powder coat
安装: 可调角度范围:垂直方向90°	Installation: Luminaires Rotation: 90°
灯具禁止安装在低洼积水处	Luminaires are not allowed to be installed in low-lying water
线材: ON/OFF、0-10V、DALI:100mm两芯1mm²电源防水接头线	Cable: ON/OFF/ 0-10V/ DALI: 100mm two-core 1mm² (power cable)
DMX512:100mm五芯2*1+3*0.3mm²电源+信号防水接头线	DMX512:100mm five-core 2*1+3*0.3mm² (Power and signal in a cable)

产品特性/FEATURES&BENEFITS

小巧精致, 易隐藏, 完美融入安装场景	Small size and delicate, easy to hide, perfect into the installation scene
支持宽电压输入方案, 精密的方案设计, 高效输出, 响应节能战略	Wide Voltage Input: Precise electronic scheme, powerful reach and energy-saving
支持多种数据传输协议DMX512,0-10V,DALI	Support a variety of data transmission protocols:DMX512,0-10V,DALI
多位处理技术:支持亮度调节, 内置亮灯模式设置, 自动编码	Multi-bit processing technology: Support brightness adjustment, built-in lighting mode setting, automatic coding



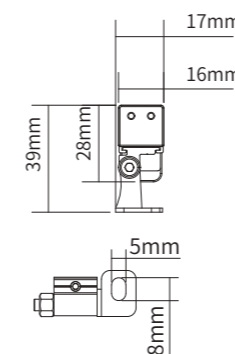
尺寸/DIMENSIONS



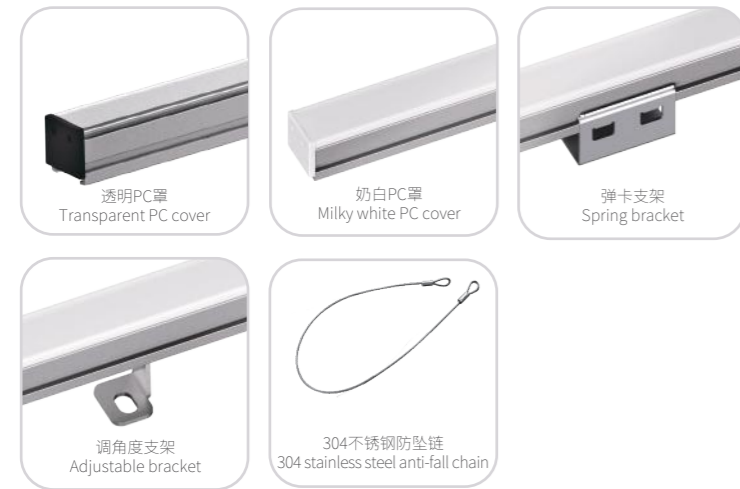
其他尺寸/OTHER DIMENSIONS



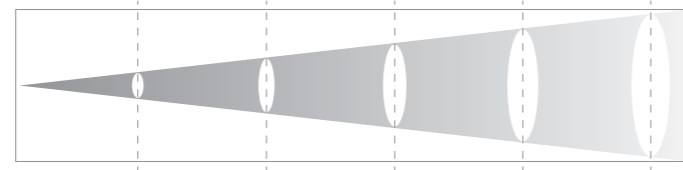
KMXT-MN1.0-TJ



EVO 配件/EVO ACCESSORIES



光学数据/OPTICAL DATA



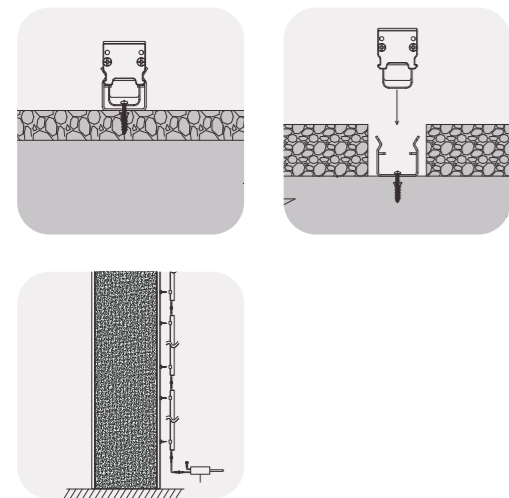
功率/Power 12W

	距离 m	0.5	1	1.5	2	2.5
45° 照度 LUX		1955.2	488.8	217.2	122.2	78.2
光圈直径 m		0.4	0.8	1.2	1.6	2.0
	距离 m	0.5	1	1.5	2	2.5
120° 照度 LUX		785.1	196.2	87.2	49.0	31.4
光圈直径 m		1.0	2.1	3.1	4.2	5.3

型号信息/MODEL INFORMATION

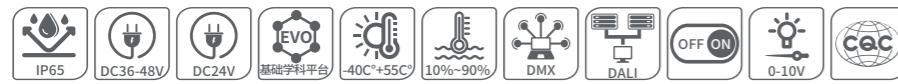
产品型号 Model	长度 Length	功率 Power	电压 Voltage	色温 Color Temperature	角度 Beam Angles	控制协议 Control	芯片品牌 Chips Brand
KMXT-MINI1.0-LX-48A/B/C8	L1000mm	12W	DC24V DC36-48V	1800K-6500K 1800K-3000K+4000K-6500K RGB	45°/120°	ON/OFF DMX512 0-10V DALI	CREE OSRAM EPISTAR LUMILEDS SANAN
KMXT-MINI1.0-LX-24A/B/C4	L500mm	6W					
KMXT-MINI1.0-LX-12A/B/C2	L250mm	3W					
KMXT-MINI1.0-LX-48B/D8	L1000mm	15W		1800K-3000K+4000K-6500K RGBW			
KMXT-MINI1.0-LX-24B/D4	L500mm	7.5W					
KMXT-MINI1.0-LX-12B/D2	L250mm	4W					

安装示意图/INSTALLATION DIAGRAM



LED 线条灯 /LED LINEAR LUMINAIRE

KMXT-MN 2.1
MINI 2.1



技术参数/PARAMETERS

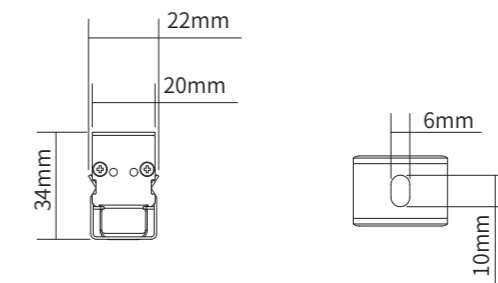
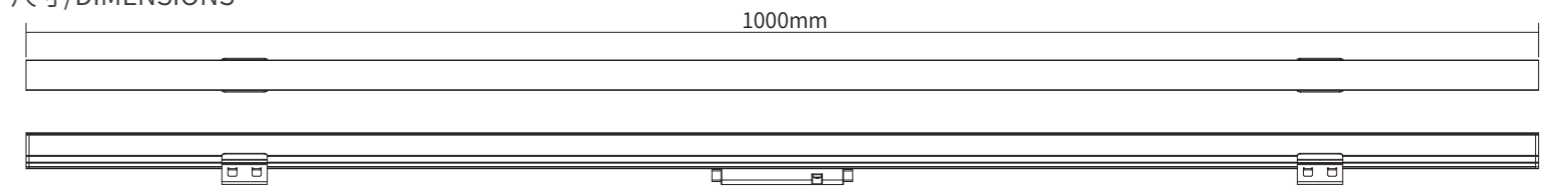
灯体材质: 6063航空铝灯体	Housing material: 6063 aviation aluminum
进口抗UV老化PC面罩	Imported anti-UV aging PC cover
压铸铝堵头	Die-cast aluminum end-cap
304不锈钢冲压支架	304 stainless steel stamping bracket
表面处理: 表面金属粉漆质感喷涂	Surface Finish: Electrostatically applied polyester powder coat
安装: 可调角度范围:不可调角度	Installation: Non-adjustable brackets
灯具禁止安装在低洼积水处	Luminaires are not allowed to be installed in low-lying water
线材: ON/OFF、0-10V、DALI:100mm两芯1mm ² 电源防水接头线	Cable: ON/OFF/ 0-10V/ DALI: 100mm two-core 1mm ² (power cable)
DMX512:100mm五芯2*1+3*0.3mm ² 电源+信号防水接头线	DMX512:100mm five-core 2*1+3*0.3mm ² (Power and signal in a cable)

产品特性/FEATURES&BENEFITS

小巧精致, 易隐藏, 完美融入安装场景	Small size and delicate, easy to hide, perfect into the installation scene
支持宽电压输入方案, 精密的方案设计, 高效输出, 响应节能战略	Wide Voltage Input: Precise electronic scheme, powerful reach and energy-saving
支持多种数据传输协议DMX512,0-10V,DALI	Support a variety of data transmission protocols :DMX512,0-10V,DALI
多位处理技术:支持亮度调节, 内置亮灯模式设置, 自动编码	Multi-bit processing technology: Support brightness adjustment, built-in lighting mode setting, automatic coding



尺寸/DIMENSIONS



EVO 配件/EVO ACCESSORIES



透明PC罩
Transparent PC cover

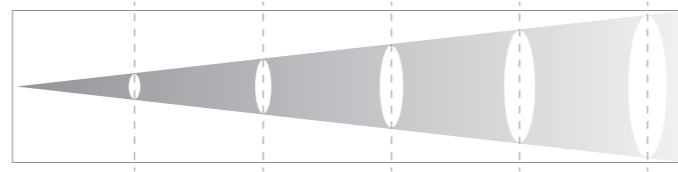


弹卡支架
Spring bracket



304不锈钢防坠链
304 stainless steel anti-fall chain

光学数据/OPTICAL DATA



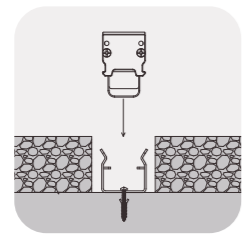
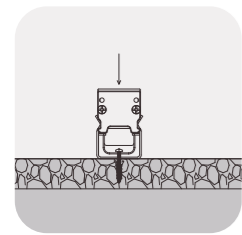
功率/Power 12W

距离m	0.5	1	1.5	2	2.5
120° 照度LUX	382.7	95.6	42.5	23.9	15.3
光圈直径m	1.6	3.2	4.8	6.5	8.1

型号信息/MODEL INFORMATION

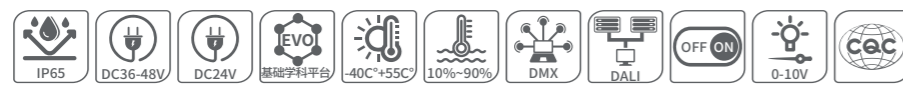
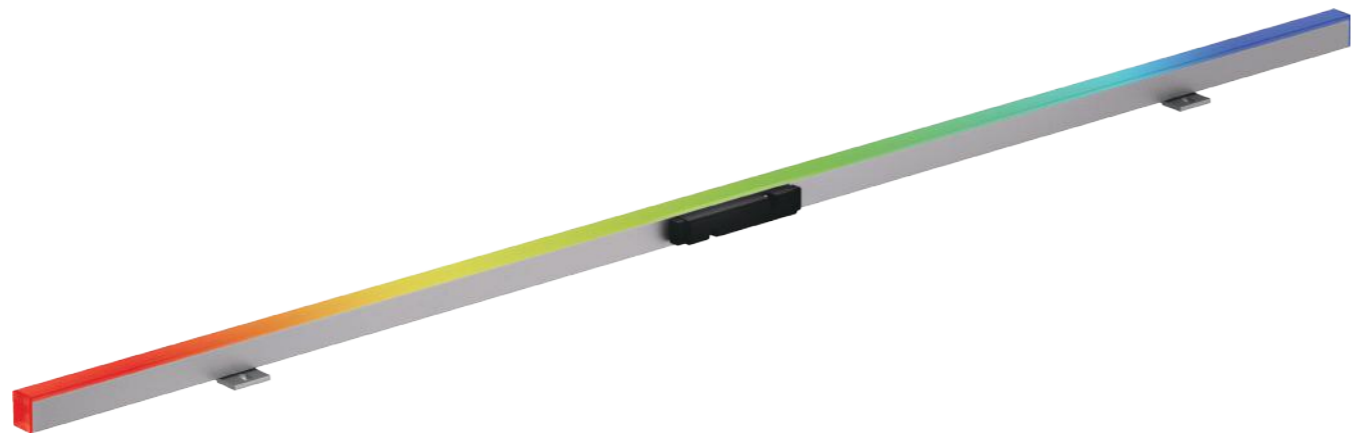
产品型号 Model	长度 Length	功率 Power	电压 Voltage	色温 Color Temperature	角度 Beam Angles	控制协议 Control	芯片品牌 Chips Brand
KMXT-MINI2.1-TK-48A/B/C/D10	L1000mm	12W	DC24V DC36-48V	1800K-6500K 1800K-3000K+4000K-6500K RGB RGBW	120°	ON/OFF DMX512 0-10V DALI	CREE OSRAM EPISTAR LUMILEDS SANAN
KMXT-MINI2.1-TK-24A/B/C/D5	L500mm	6W					
KMXT-MINI2.1-TK-12A/B/C/D3	L300mm	3W					

安装示意图/INSTALLATION DIAGRAM



LED 线条灯 /LED LINEAR LUMINAIRE

KMXT-MN 3.0
MINI 3.0



技术参数/PARAMETERS

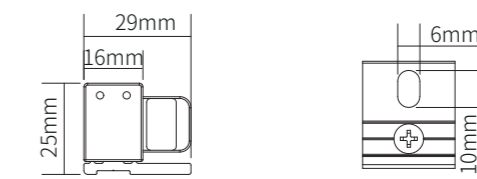
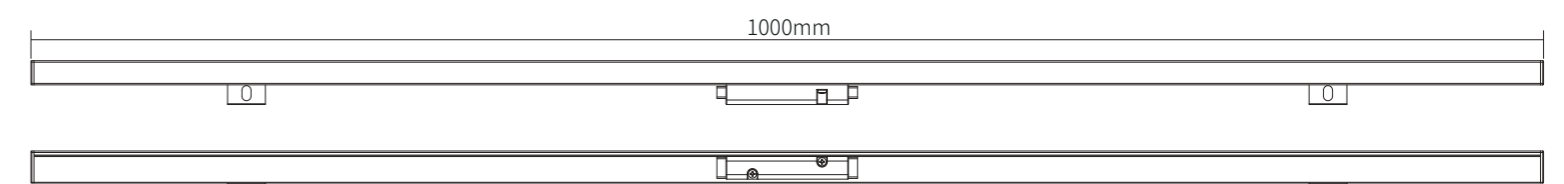
灯体材质: 6063航空铝灯体	Housing material: 6063 aviation aluminum
进口抗UV老化PC面罩	Imported anti-UV aging PC cover
压铸铝堵头	Die-cast aluminum end-cap
高强度铝合金支架	High strength aluminum alloy bracket
表面处理: 表面金属粉漆质感喷涂	Surface Finish : Electrostatically applied polyester powder coat
安 装: 可调角度范围:垂直方向90°	Installation: Luminaires Rotation: 90°
灯具禁止安装在低洼积水处	Luminaires are not allowed to be installed in low-lying water
线 材: ON/OFF、0-10V、DALI:100mm两芯1mm²电源防水接头线	Cable: ON/OFF/ 0-10V/ DALI: 100mm two-core 1mm² (power cable)
DMX512:100mm五芯2*1+3*0.3mm²电源+信号防水接头线	DMX512:100mm five-core 2*1+3*0.3mm² ((Power and signal in a cable)

产品特性/FEATURES&BENEFITS

小巧精致, 易隐藏, 完美融入安装场景	Small size and delicate, easy to hide, perfect into the installation scene
支持宽电压输入方案, 精密的方案设计, 高效输出, 响应节能战略	Wide Voltage Input: Precise electronic scheme, powerful reach and energy-saving
支持多种数据传输协议DMX512,0-10V,DALI	Support a variety of data transmission protocols :DMX512,0-10V,DALI
多位处理技术:支持亮度调节, 内置亮灯模式设置, 自动编码	Multi-bit processing technology: Support brightness adjustment, built-in lighting mode setting, automatic coding



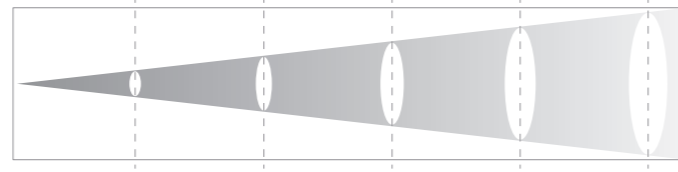
尺寸/DIMENSIONS



EVO 配件/EVO ACCESSORIES



光学数据/OPTICAL DATA



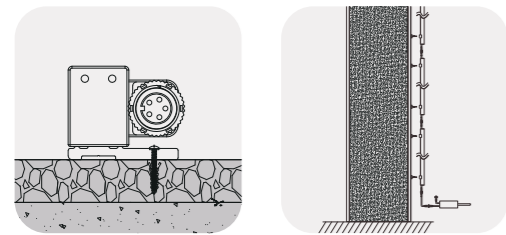
功率/Power 12W

距离m	0.5	1	1.5	2	2.5
45° 照度LUX	1955.2	488.8	217.2	122.2	78.2
光圈直径m	0.4	0.8	1.2	1.6	2.0
距离m	0.5	1	1.5	2	2.5
120° 照度LUX	785.1	196.2	87.2	49.0	31.4
光圈直径m	1.0	2.1	3.1	4.2	5.3

型号信息/MODEL INFORMATION

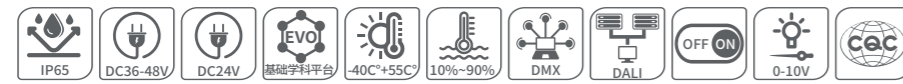
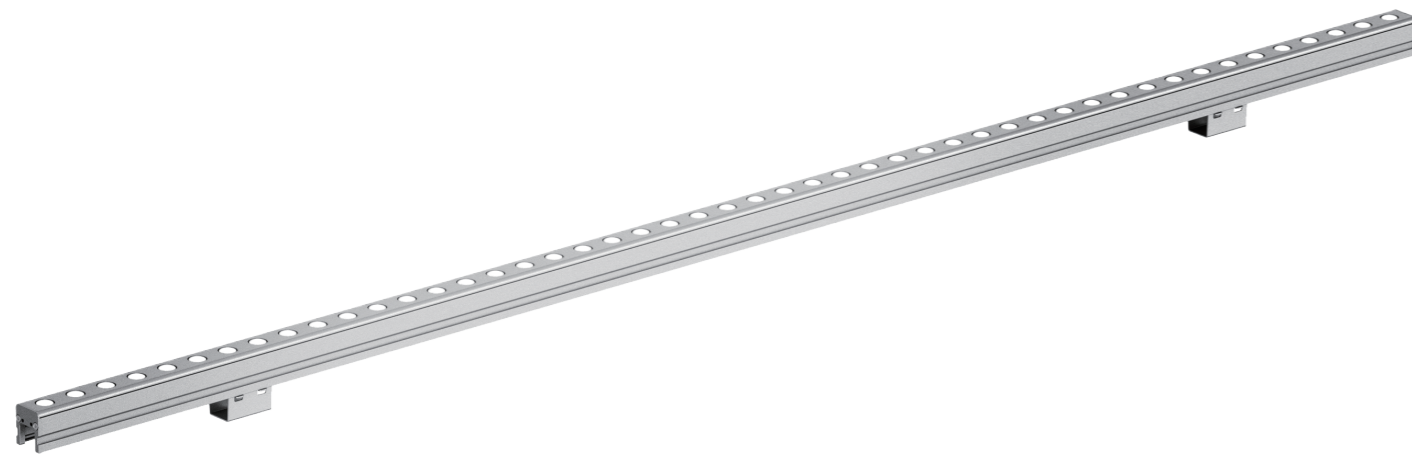
产品型号 Model	长度 Length	功率 Power	电压 Voltage	色温 Color Temperature	角度 Beam Angles	控制协议 Control	芯片品牌 Chips Brand
KMXT -MINI3.0 -PZ -48A/B/C8	L1000mm	12W	DC24V DC36 -48V	1800K -6500K 1800K -3000K+4000K -6500K RGB	45°/120°	ON/OFF DMX512 0-10V DALI	CREE OSRAM EPISTAR LUMILEDS SANAN
KMXT -MINI3.0 -PZ -24A/B/C4	L500mm	6W					
KMXT -MINI3.0 -PZ -12A/B/C2	L250mm	3W					
KMXT -MINI3.0 -PZ -48B/D8	L1000mm	15W		1800K -3000K+4000K -6500K RGBW			
KMXT -MINI3.0 -PZ -24B/D4	L500mm	7.5W					
KMXT -MINI3.0 -PZ -12B/D2	L250mm	4W					

安装示意图/INSTALLATION DIAGRAM



LED 线条灯 /LED LINEAR LUMINAIRE

KMXT-JG1.0
极光 1.0



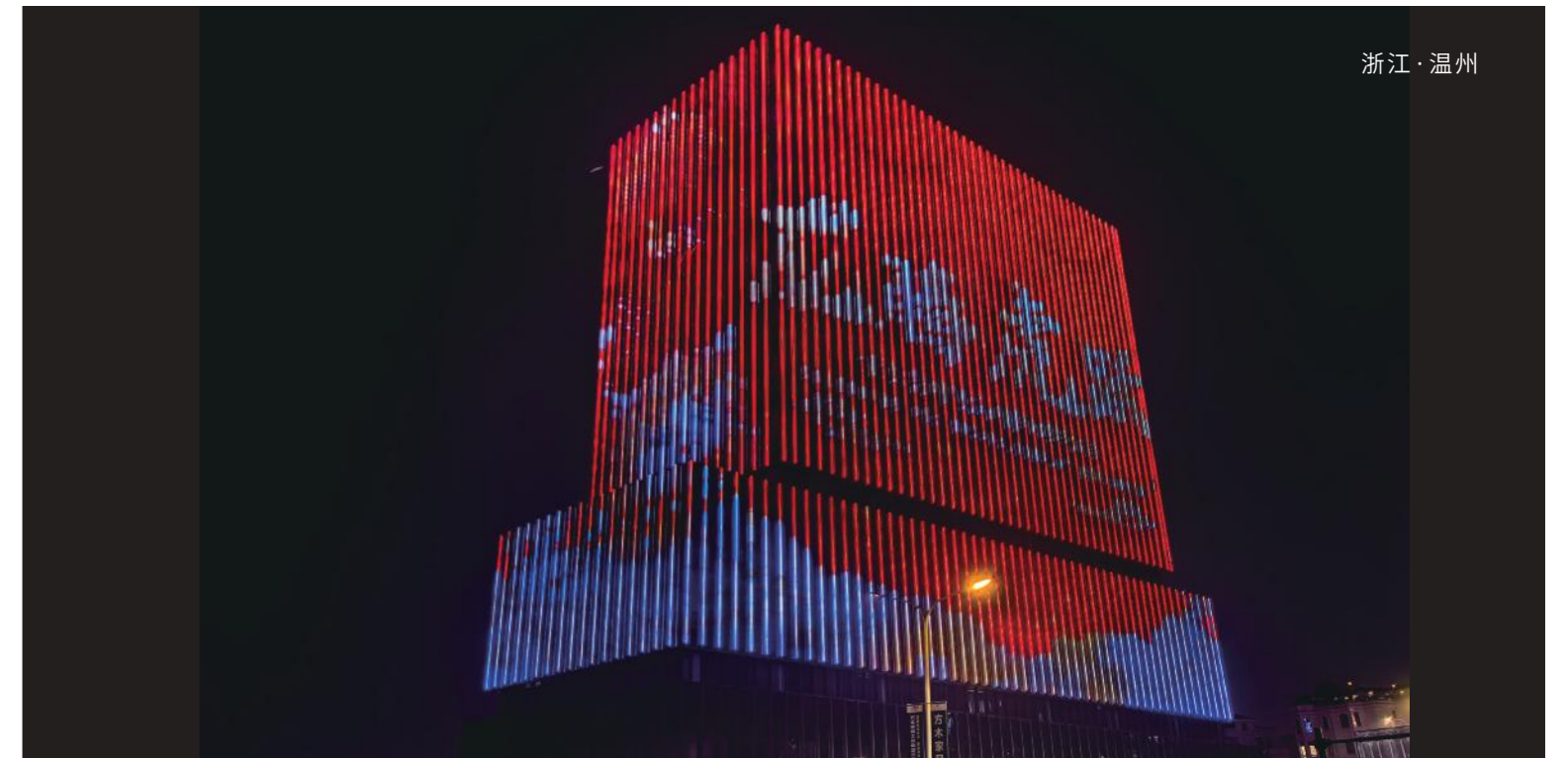
技术参数/PARAMETERS

灯体材质: 6063航空铝灯体	Housing material: 6063 aviation aluminum
高强度拉伸冲压面罩	High-strength aluminum stretch stamping cover
压铸铝堵头	Die-cast aluminum end-cap
304不锈钢冲压支架	304 stainless steel stamping bracket
表面处理: 表面金属粉质感喷涂	Surface Finish: Electrostatically applied polyester powder coat
安装: 可调角度范围:不可调角度	Installation: Non-adjustable brackets
灯具禁止安装在低洼积水处	Luminaires are not allowed to be installed in low-lying water
线材: ON/OFF、0-10V、DALI:100mm两芯1mm ² 电源防水接头线	Cable: ON/OFF/ 0-10V/ DALI: 100mm two-core 1mm ² (Power cable)
DMX512:100mm五芯2*1+3*0.3mm ² 电源+信号防水接头线	DMX512:100mm five-core 2*1+3*0.3mm ² (Power and signal in a cable)

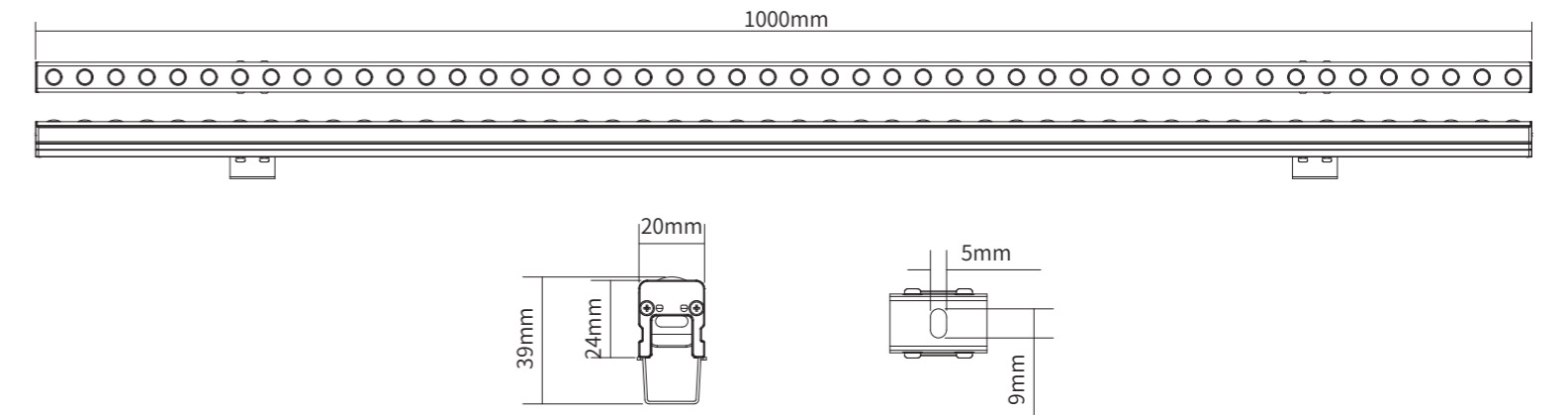
产品特性/FEATURES&BENEFITS

小巧精致, 易隐藏, 完美融入安装场景	Small size and delicate, easy to hide, perfect into the installation scene
支持宽电压输入方案, 精密的方案设计, 高效输出, 响应节能战略	Wide Voltage Input: Precise electronic scheme, powerful reach and energy-saving
支持多种数据传输协议DMX512,0-10V,DALI	Support a variety of data transmission protocols :DMX512,0-10V,DALI
多位处理技术:支持亮度调节, 内置亮灯模式设置, 自动编码	Multi-bit processing technology: Support brightness adjustment, built-in lighting mode setting, automatic coding

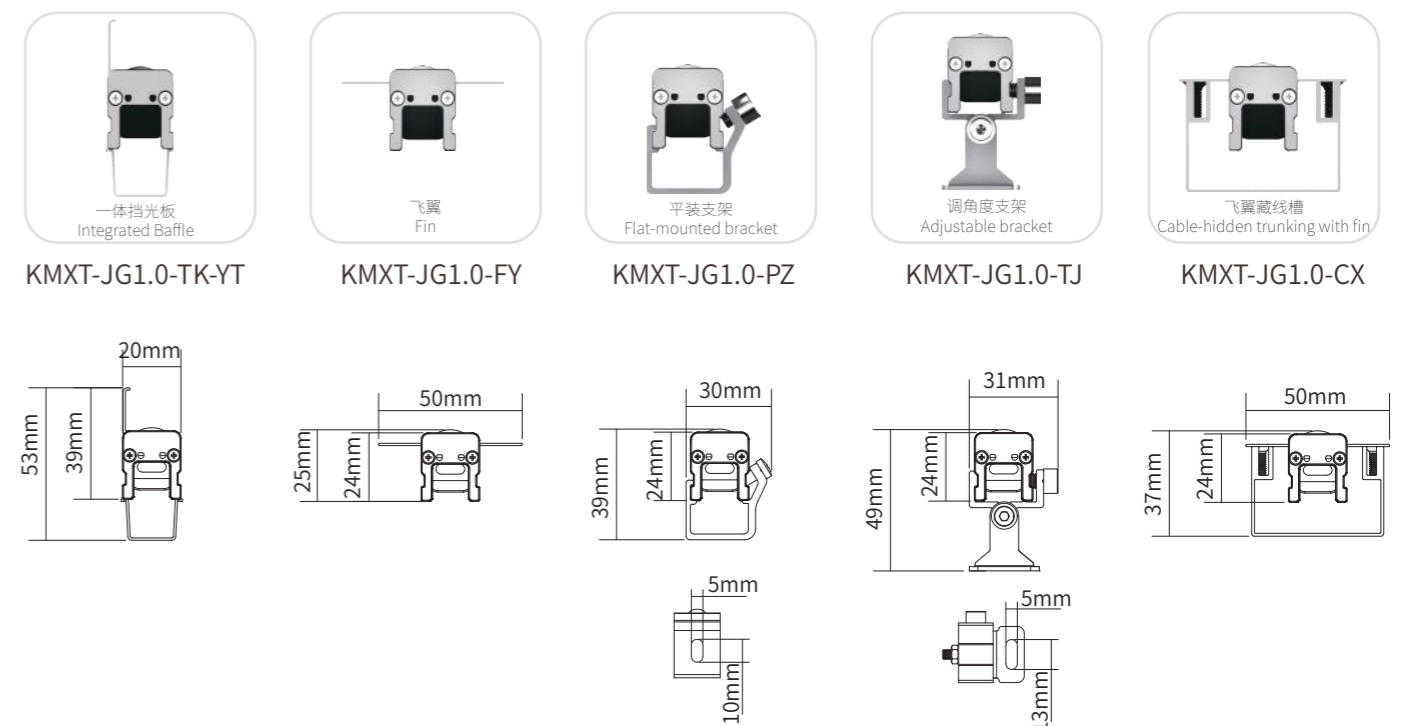
浙江·温州



尺寸/DIMENSIONS

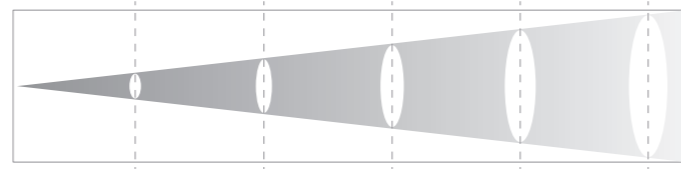


其他尺寸/OTHER DIMENSIONS



EVO 配件/EVO ACCESSORIES

光学数据/OPTICAL DATA



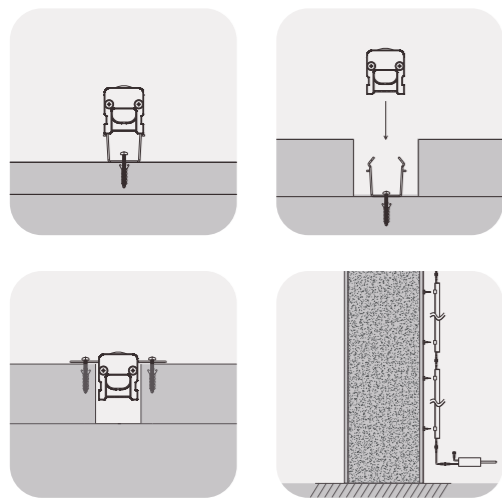
功率/Power 12W

距离 m	0.5	1	1.5	2	2.5
120° 照度 LUX	863.8	215.9	95.9	53.9	34.5
光圈直径m	1.8	3.7	5.6	7.5	9.3

型号信息/MODEL INFORMATION

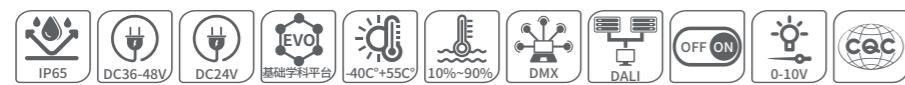
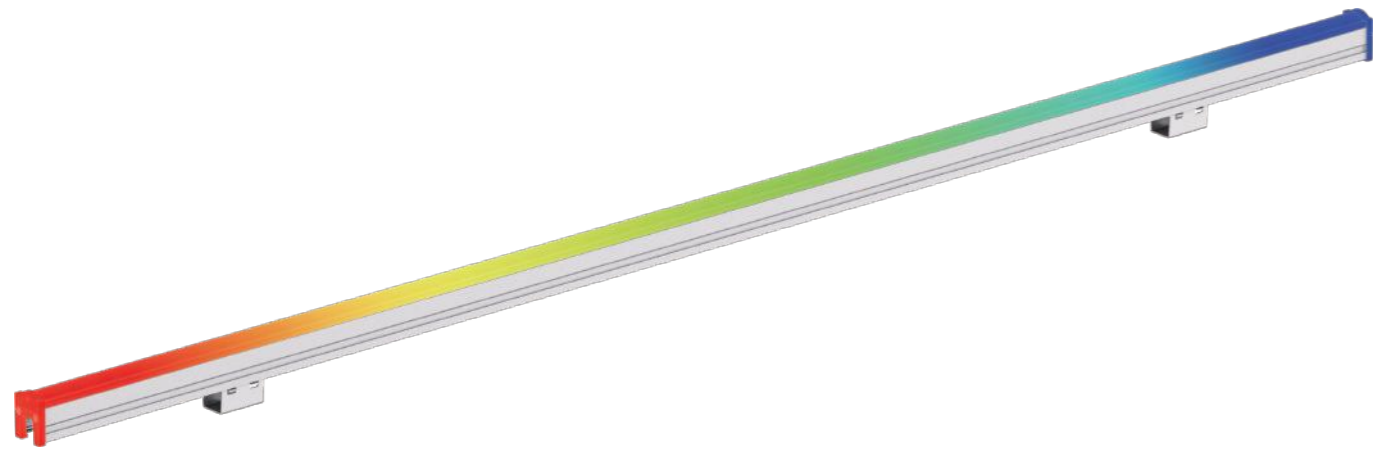
产品型号 Model	长度 Length	功率 Power	电压 Voltage	色温 Color Temperature	角度 Beam Angles	控制协议 Control	芯片品牌 Chips Brand
KMXT -JG1.0 -TK -48A/B/C8	L1000mm	12W	DC24V DC36 -48V	1800K -6500K 1800K -3000K+4000K -6500K RGB	120°	ON/OFF DMX512 0-10V DALI	CREE OSRAM EPISTAR LUMILEDS SANAN
KMXT -JG1.0 -TK -24A/B/C4	L500mm	6W					
KMXT -JG1.0 -TK -12A/B/C2	L250mm	3W					
KMXT -JG1.0 -TK -48B/D8	L1000mm	15W		1800K -3000K+4000K -6500K RGBW			
KMXT -JG1.0 -TK -24B/D4	L500mm	7.5W					
KMXT -JG1.0 -TK -12B/D2	L250mm	4W					

安装示意图/INSTALLATION DIAGRAM



LED 线条灯 /LED LINEAR LUMINAIRE

KMXT-JG1.1
极光 1.1



技术参数/PARAMETERS

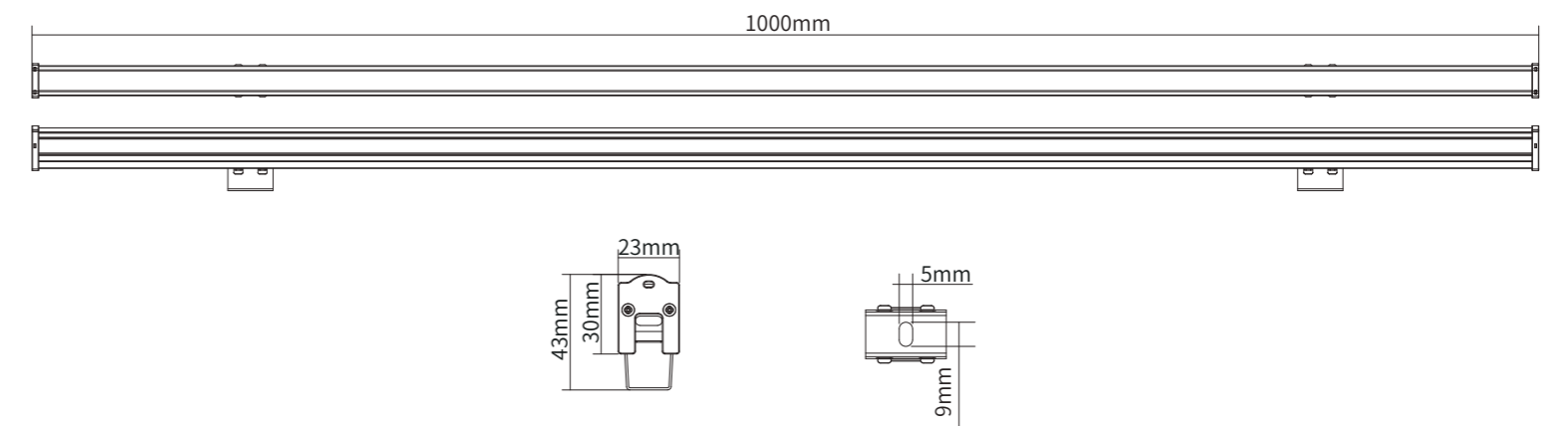
灯体材质: 6063航空铝灯体	Housing material: 6063 aviation aluminum
进口抗UV老化PC面罩	Imported anti-UV aging PC cover
304不锈钢冲压支架	304 stainless steel stamping bracket
表面处理: 表面金属粉漆质感喷涂	Surface Finish: Electrostatically applied polyester powder coat
安 装: 可调角度范围:不可调角度	Installation: Non-adjustable brackets
灯具禁止安装在低洼积水处	Luminaires are not allowed to be installed in low-lying water
线 材: ON/OFF、0-10V、DALI:100mm两芯1mm ² 电源防水接头线	Cable: ON/OFF/ 0-10V/ DALI: 100mm two-core 1mm ² (power cable)
DMX512:100mm五芯2*1+3*0.3mm ² 电源+信号防水接头线	DMX512:100mm five-core 2*1+3*0.3mm ² (Power and signal in a cable)

产品特性/FEATURES&BENEFITS

小巧精致, 易隐藏, 完美融入安装场景	Small size and delicate, easy to hide, perfect into the installation scene
支持宽电压输入方案, 精密的方案设计, 高效输出, 响应节能战略	Wide Voltage Input: Precise electronic scheme, powerful reach and energy-saving
支持多种数据传输协议DMX512,0-10V,DALI	Support a variety of data transmission protocols:DMX512,0-10V,DALI
多位处理技术:支持亮度调节, 内置亮灯模式设置, 自动编码	Multi-bit processing technology: Support brightness adjustment, built-in lighting mode setting, automatic coding



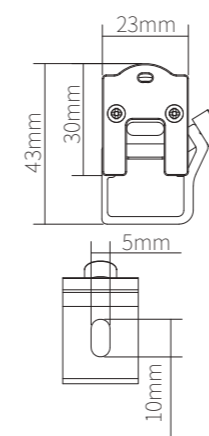
尺寸/DIMENSIONS



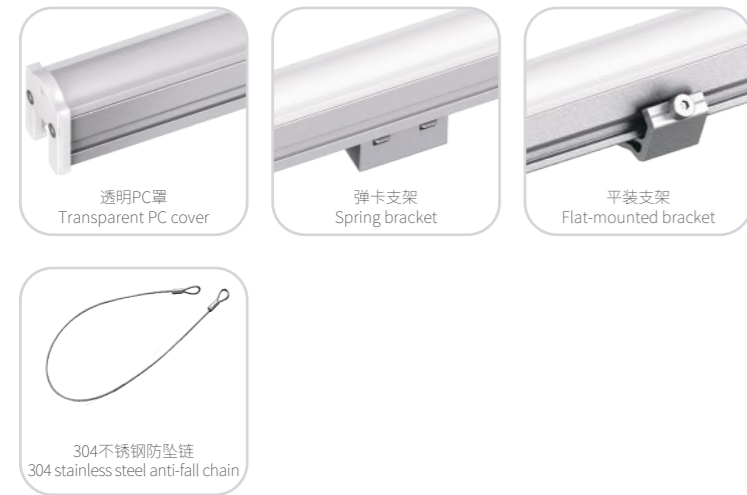
其他尺寸/OTHER DIMENSIONS



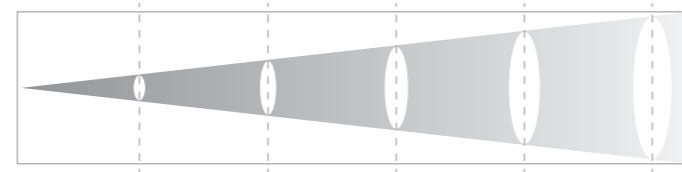
KMXT-JG1.1-PZ



EVO 配件/EVO ACCESSORIES



光学数据/OPTICAL DATA



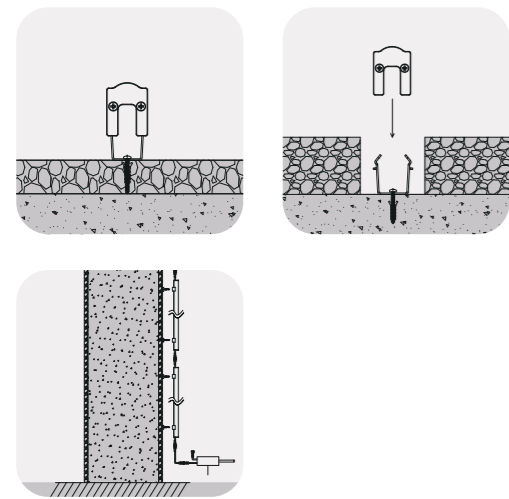
功率/Power 12W

距离m	0.5	1	1.5	2	2.5
120° 照度LUX	600.8	150.2	66.7	37.5	24.0
光斑直径m	2.0	4.0	6.0	8.0	10.0

型号信息/MODEL INFORMATION

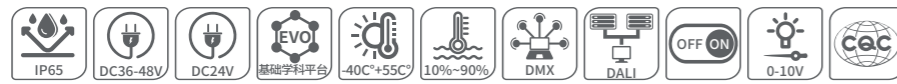
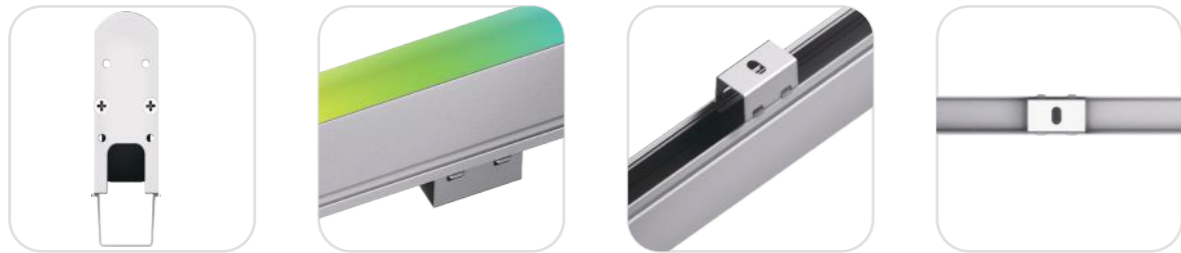
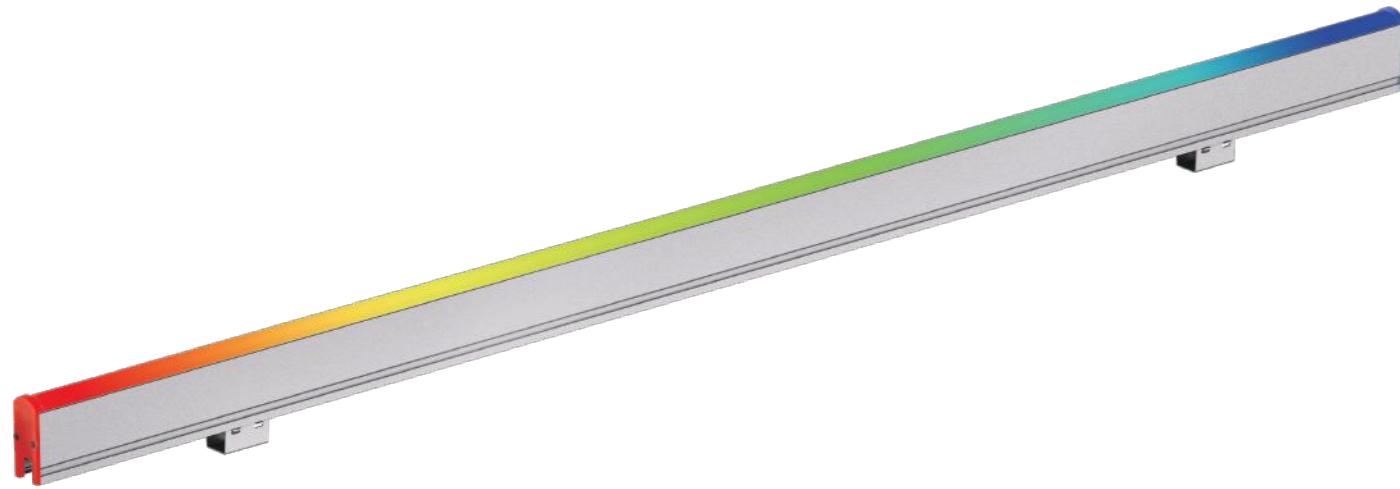
产品型号 Model	长度 Length	功率 Power	电压 Voltage	色温 Color Temperature	角度 Beam Angles	控制协议 Control	芯片品牌 Chips Brand
KMXT -JG1.1 -TK -48A/B/C/8	L1000mm	12W	DC24V DC36 -48V	1800K -6500K 1800K -3000K+4000K -6500K RGB	120°	ON/OFF DMX512 0-10V DALI	CREE OSRAM EPISTAR LUMILEDS SANAN
KMXT -JG1.1 -TK -24A/B/C/4	L500mm	6W					
KMXT -JG1.1 -TK -12A/B/C/2	L250mm	3W					
KMXT -JG1.1 -TK -60A/B/C/D10	L1000mm	15W		1800K -6500K 1800K -3000K+4000K -6500K RGB RGBW			
KMXT -JG1.1 -TK -30A/B/C/D5	L500mm	7.5W					
KMXT -JG1.1 -TK -18A/B/C/D3	L300mm	4W					
KMXT -JG1.1 -TK -48B/D8	L1000mm	15W		1800K -3000K+4000K -6500K RGBW			
KMXT -JG1.1 -TK -24B/D4	L500mm	7.5W					
KMXT -JG1.1 -TK -12B/D2	L250mm	4W					

安装示意图/INSTALLATION DIAGRAM



LED 线条灯 /LED LINEAR LUMINAIRE

KMXT-JG2.0
极光 2.0



技术参数/PARAMETERS

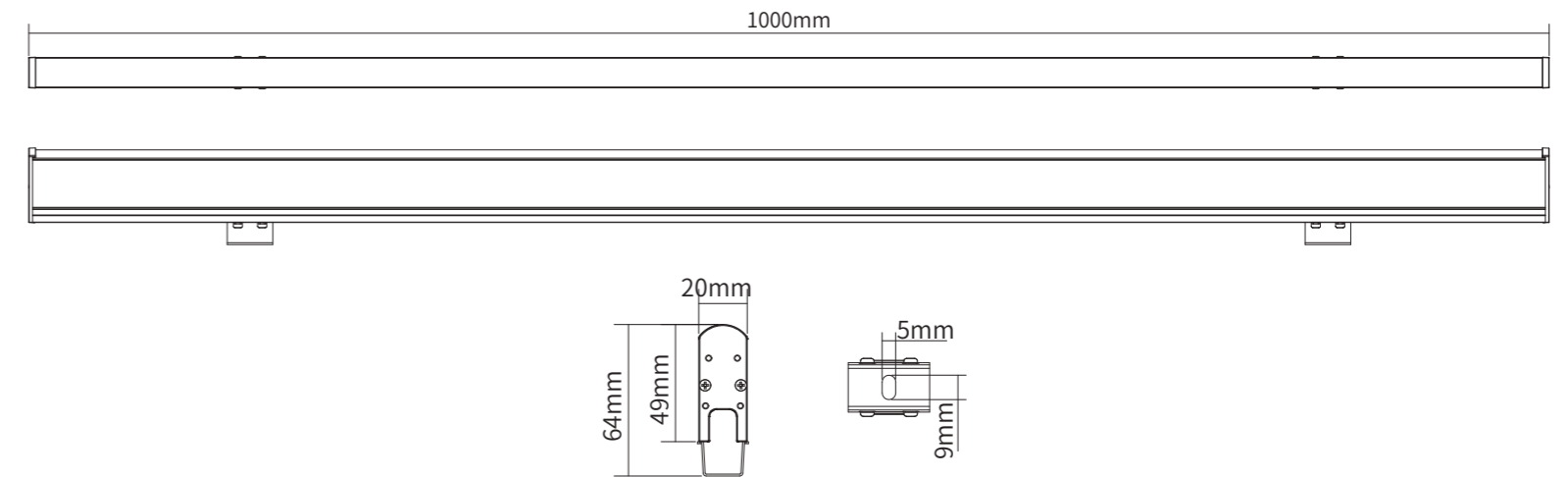
灯体材质: 6063航空铝灯体	Housing material: 6063 aviation aluminum
进口抗UV老化PC面罩	Imported anti-UV aging PC cover
304不锈钢冲压支架	304 stainless steel stamping bracket
表面处理: 表面金属粉质感喷涂	Surface Finish: Electrostatically applied polyester powder coat
安装: 可调角度范围:不可调角度	Installation: Non-adjustable brackets
灯具禁止安装在低洼积水处	Luminaires are not allowed to be installed in low-lying water
线材: ON/OFF、0-10V、DALI:100mm两芯1mm ² 电源防水接头线	Cable: ON/OFF/ 0-10V/ DALI: 100mm two-core 1mm ² (power cable)
DMX512:100mm五芯2*1+3*0.3mm ² 电源+信号防水接头线	DMX512:100mm five-core 2*1+3*0.3mm ² (Power and signal in a cable)

产品特性/FEATURES&BENEFITS

小巧精致, 易隐藏, 完美融入安装场景	Small size and delicate, easy to hide, perfect into the installation scene
支持宽电压输入方案, 精密的方案设计, 高效输出, 响应节能战略	Wide Voltage Input: Precise electronic scheme, powerful reach and energy-saving
支持多种数据传输协议DMX512,0-10V,DALI	Support a variety of data transmission protocols :DMX512,0-10V,DALI
多位处理技术:支持亮度调节, 内置亮灯模式设置, 自动编码	Multi-bit processing technology: Support brightness adjustment, built-in lighting mode setting, automatic coding



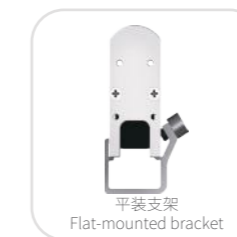
尺寸/DIMENSIONS



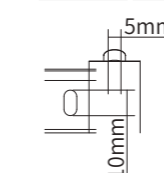
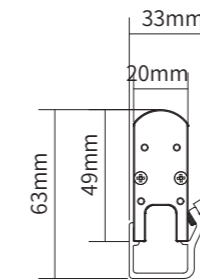
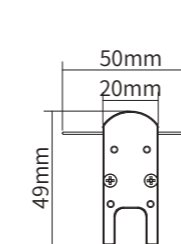
其他尺寸/OTHER DIMENSIONS



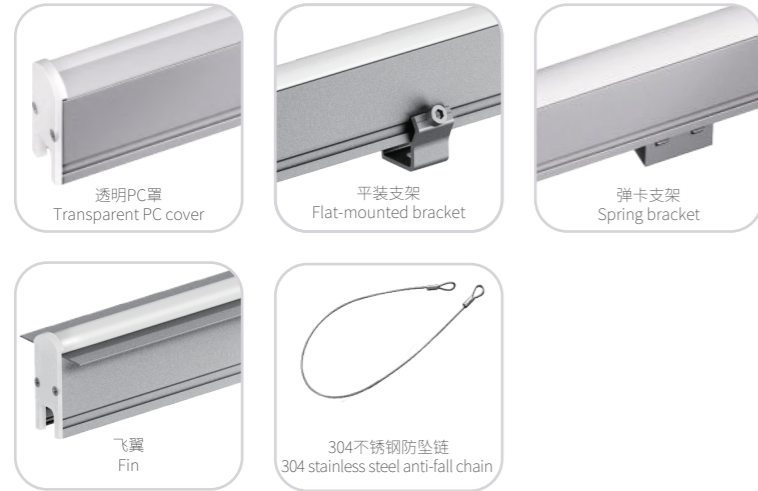
KMXT-JG2.0-FY



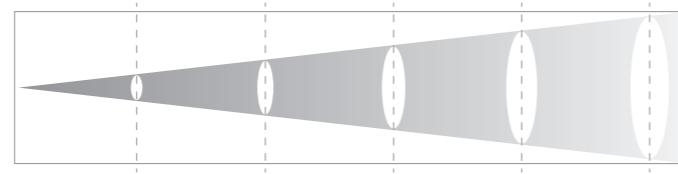
KMXT-JG2.0-PZ



EVO 配件/EVO ACCESSORIES



光学数据/OPTICAL DATA



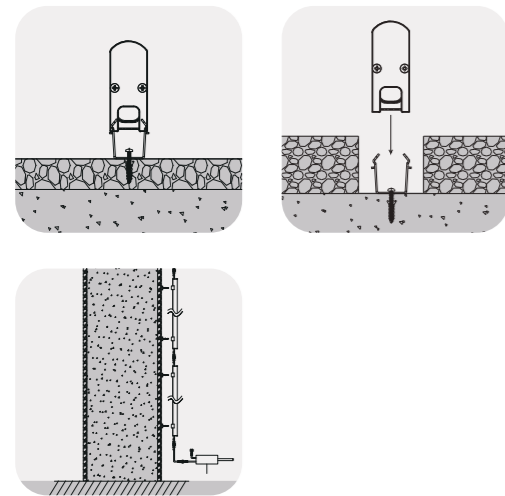
功率/Power 12W

距离m	0.5	1	1.5	2	2.5
120° 照度LUX	382.7	95.6	42.5	23.9	15.3
光圈直径m	1.6	3.2	4.8	6.5	8.1

型号信息/MODEL INFORMATION

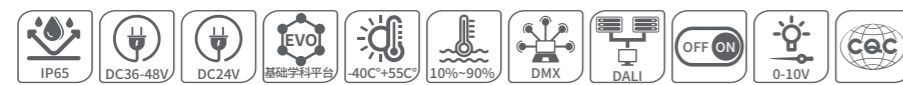
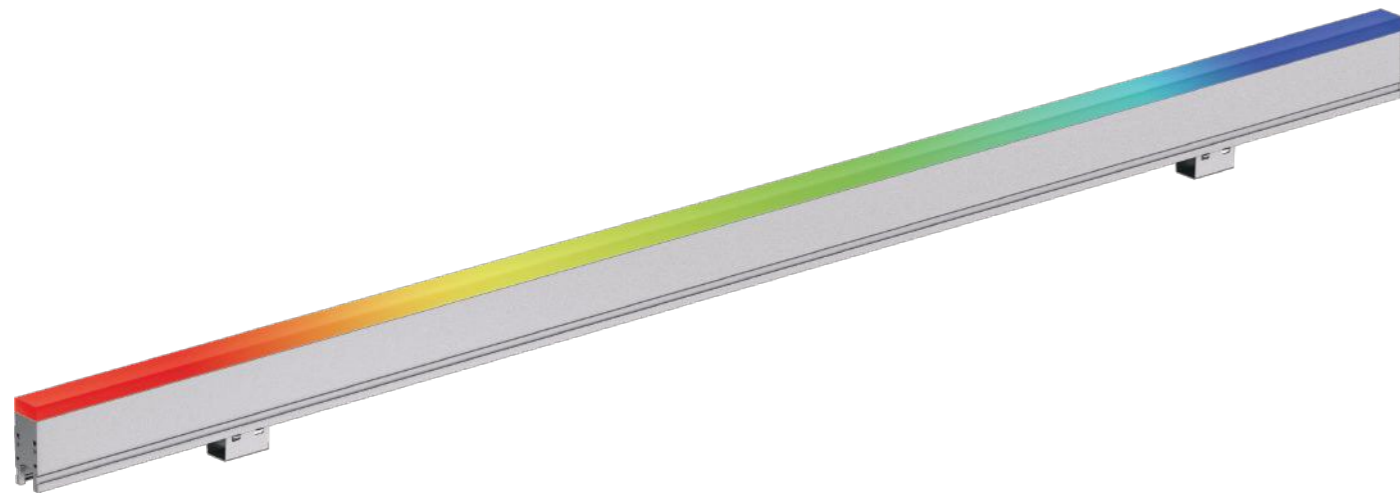
产品型号 Model	长度 Length	功率 Power	电压 Voltage	色温 Color Temperature	角度 Beam Angles	控制协议 Control	芯片品牌 Chips Brand
KMXT -JG2.0 -TK-48A/B/C8	L1000mm	12W	DC24V DC36 -48V	1800K -6500K 1800K -3000K+4000K -6500K RGB	120°	ON/OFF DMX512 0-10V DALI	CREE OSRAM EPISTAR LUMILEDS SANAN
KMXT -JG2.0 -TK-24A/B/C4	L500mm	6W					
KMXT -JG2.0 -TK-12A/B/C2	L250mm	3W					
KMXT -JG2.0 -TK-60A/B/C/D10	L1000mm	15W		1800K -6500K 1800K -3000K+4000K -6500K RGB			
KMXT -JG2.0 -TK-30A/B/C/D5	L500mm	7.5W					
KMXT -JG2.0 -TK-18A/B/C/D3	L300mm	4W					
KMXT -JG2.0 -TK-48B/D8	L1000mm	15W		1800K -3000K+4000K -6500K RGBW			
KMXT -JG2.0 -TK-24B/D4	L500mm	7.5W					
KMXT -JG2.0 -TK-12B/D2	L250mm	4W					

安装示意图/INSTALLATION DIAGRAM



LED 线条灯 /LED LINEAR LUMINAIRE

KMXT-JG3.0
极光 3.0



技术参数/PARAMETERS

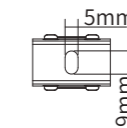
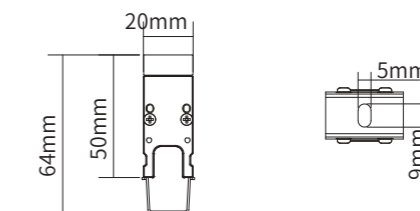
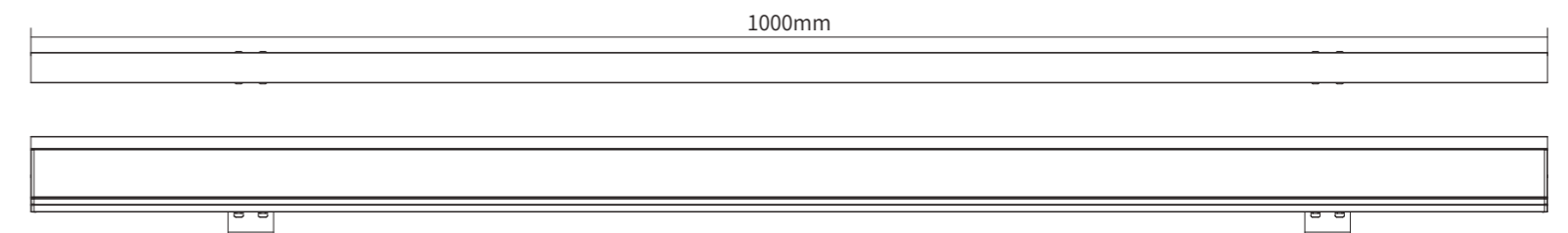
灯体材质: 6063航空铝灯体	Housing material: 6063 aviation aluminum
高透光率实心抗UV老化亚克力面罩	High transmittance solid anti-UV aging acrylic cover
304不锈钢冲压支架	304 stainless steel stamping bracket
表面处理: 表面金属粉漆质感喷涂	Surface Finish: Electrostatically applied polyester powder coat
安 装: 可调角度范围:不可调角度	Installation: Non-adjustable brackets
灯具禁止安装在低洼积水处	Luminaires are not allowed to be installed in low-lying water
线 材: ON/OFF/0-10V、DALI:100mm两芯1mm²电源防水接头线	Cable: ON/OFF/0-10V/ DALI: 100mm two-core 1mm² (power cable)
DMX512:100mm五芯2*1+3*0.3mm²电源+信号防水接头线	DMX512:100mm five-core 2*1+3*0.3mm²(Power and signal in a cable)

产品特性/FEATURES&BENEFITS

小巧精致,易隐藏,完美融入安装场景	Small size and delicate, easy to hide, perfect into the installation scene
支持宽电压输入方案,精密的方案设计,高效输出,响应节能战略	Wide Voltage Input: Precise electronic scheme, powerful reach and energy-saving
支持多种数据传输协议DMX512,0-10V,DALI	Support a variety of data transmission protocols :DMX512,0-10V,DALI
多位处理技术:支持亮度调节,内置亮灯模式设置,自动编码	Multi-bit processing technology: Support brightness adjustment, built-in lighting mode setting, automatic coding



尺寸/DIMENSIONS



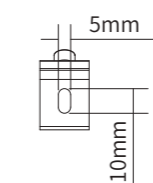
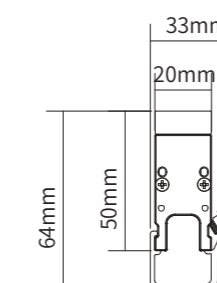
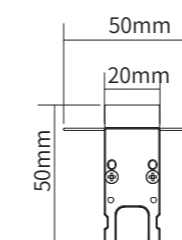
其他尺寸/OTHER DIMENSIONS



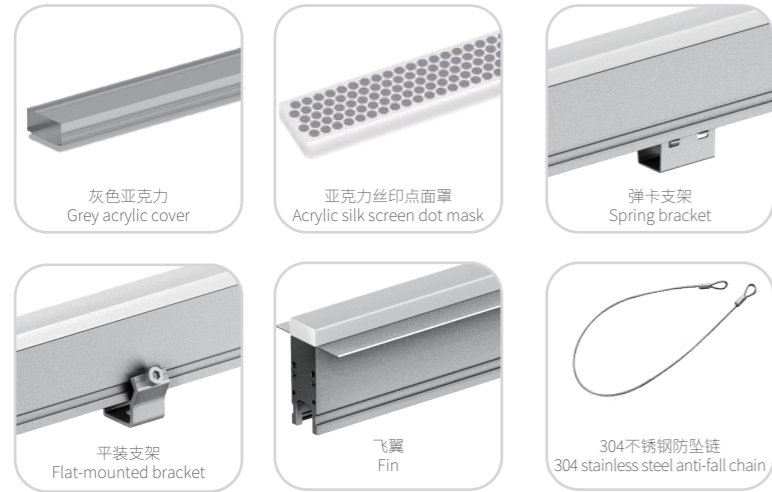
KMXT-JG3.0-FY



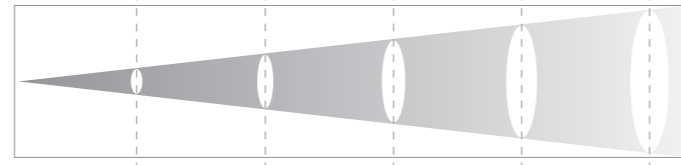
KMXT-JG3.0-PZ



EVO 配件/EVO ACCESSORIES



光学数据/OPTICAL DATA



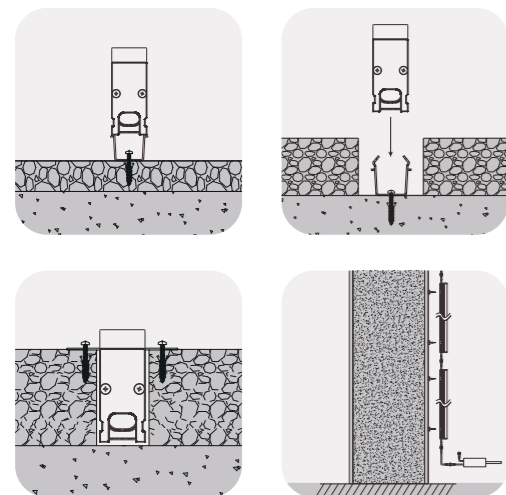
功率/Power 12W

距离m	0.5	1	1.5	2	2.5
120° 照度LUX	275.4	68.8	30.6	17.2	11.0
光圈直径m	2.8	5.7	8.6	11.5	14.3

型号信息/MODEL INFORMATION

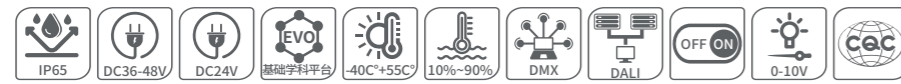
产品型号 Model	长度 Length	功率 Power	电压 Voltage	色温 Color Temperature	角度 Beam Angles	控制协议 Control	芯片品牌 Chips Brand
KMXT -JG3.0 -TK -48A/B/C8	L1000mm	12W	DC24V DC36 -48V	1800K -6500K 1800K -3000K+4000K -6500K RGB	120°	ON/OFF DMX512 0-10V DALI	CREE OSRAM EPISTAR LUMILEDS SANAN
KMXT -JG3.0 -TK -24A/B/C4	L500mm	6W					
KMXT -JG3.0 -TK -12A/B/C2	L250mm	3W					
KMXT -JG3.0 -TK -60A/B/C/D10	L1000mm	15W		1800K -6500K 1800K -3000K+4000K -6500K RGB RGBW			
KMXT -JG3.0 -TK -30A/B/C/D5	L500mm	7.5W					
KMXT -JG3.0 -TK -18A/B/C/D3	L300mm	4W					
KMXT -JG3.0 -TK -48B/D8	L1000mm	15W		1800K -3000K+4000K -6500K RGBW			
KMXT -JG3.0 -TK -24B/D4	L500mm	7.5W					
KMXT -JG3.0 -TK -12B/D2	L250mm	4W					

安装示意图/INSTALLATION DIAGRAM



LED 线条灯 /LED LINEAR LUMINAIRE

KMXT-JG 4.0
极光 4.0

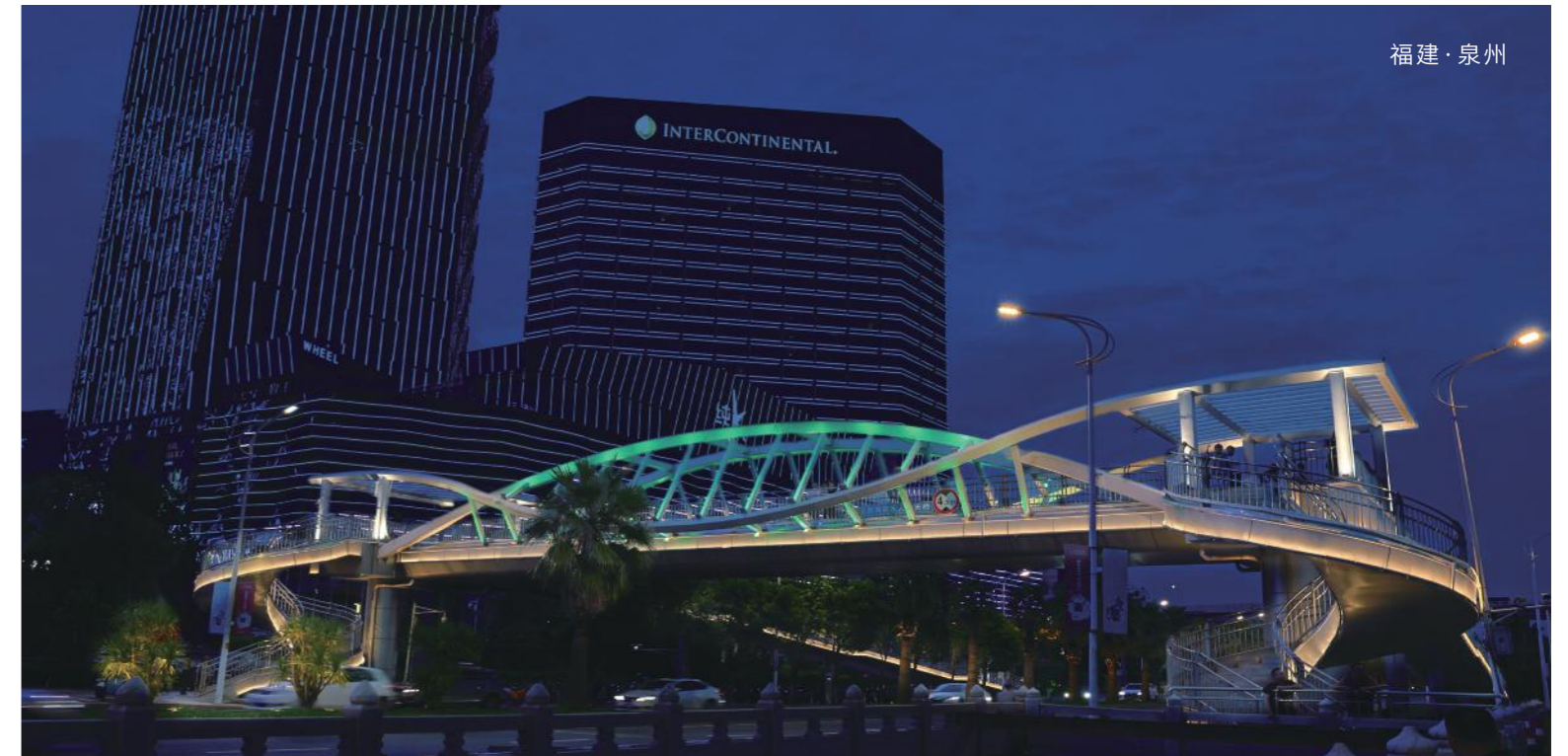


技术参数/PARAMETERS

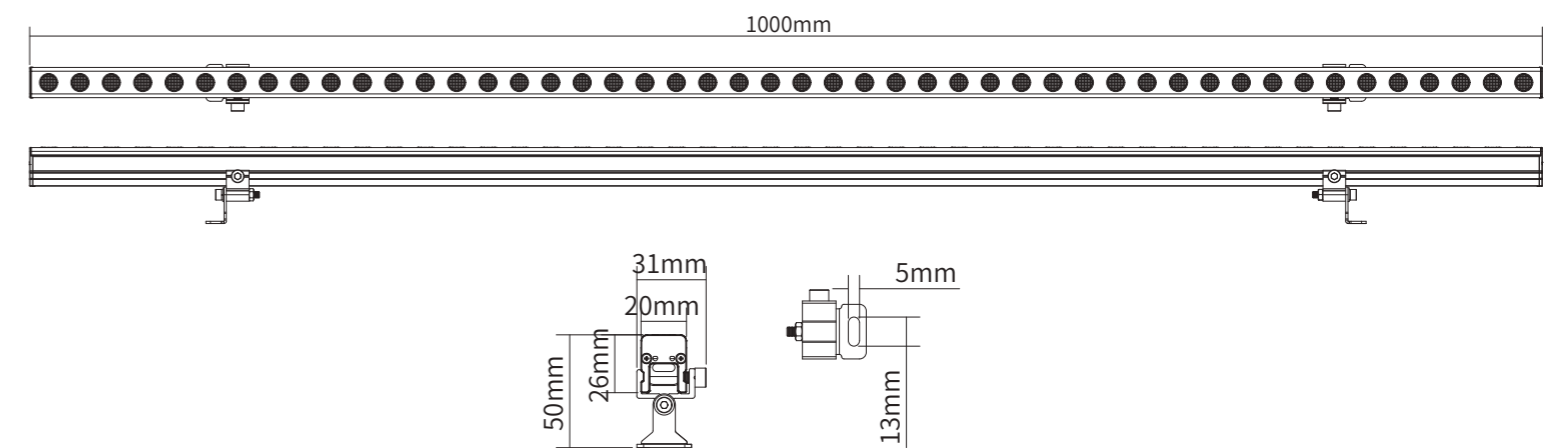
灯体材质: 6063航空铝灯体	Housing material: 6063 aviation aluminum
高强度拉伸冲压面罩	High-strength aluminum stretch stamping cover
压铸铝堵头	Die-cast aluminum end-cap
高强度压铸铝支架	High strength aluminum alloy bracket
表面处理: 表面金属粉质感喷涂	Surface Finish: Electrostatically applied polyester powder coat
安装: 可调角度范围:可调角度90°	Installation: Luminaires Rotation: 90°
灯具禁止安装在低洼积水处	Luminaires are not allowed to be installed in low-lying water
线材: ON/OFF、0-10V、DALI:100mm两芯1mm²电源防水接头线	Cable: ON/OFF/ 0-10V/ DALI: 100mm two-core 1mm² (Power cable)
DMX512:100mm五芯2*1+3*0.3mm²电源+信号防水接头线	DMX512:100mm five-core 2*1+3*0.3mm² (Power and signal in a cable)

产品特性/FEATURES&BENEFITS

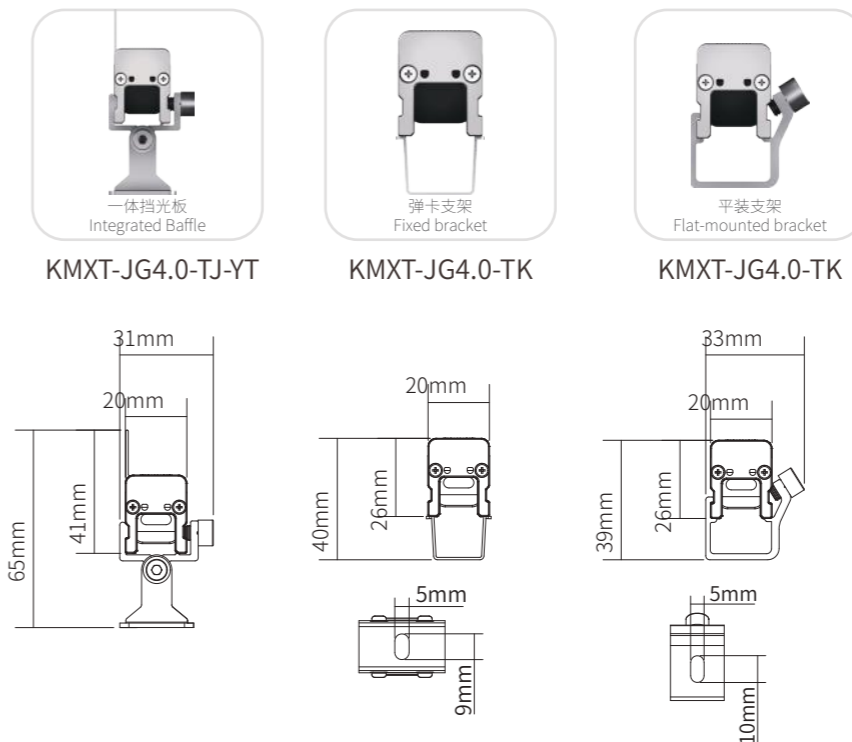
小巧精致, 易隐藏, 完美融入安装场景	Small size and delicate, easy to hide, perfect into the installation scene
支持宽电压输入方案, 精密的方案设计, 高效输出, 响应节能战略	Wide Voltage Input: Precise electronic scheme, powerful reach and energy-saving
支持多种数据传输协议DMX512,0-10V,DALI	Support a variety of data transmission protocols :DMX512,0-10V,DALI
多位处理技术:支持亮度调节, 内置亮灯模式设置, 自动编码	Multi-bit processing technology: Support brightness adjustment, built-in lighting mode setting, automatic coding



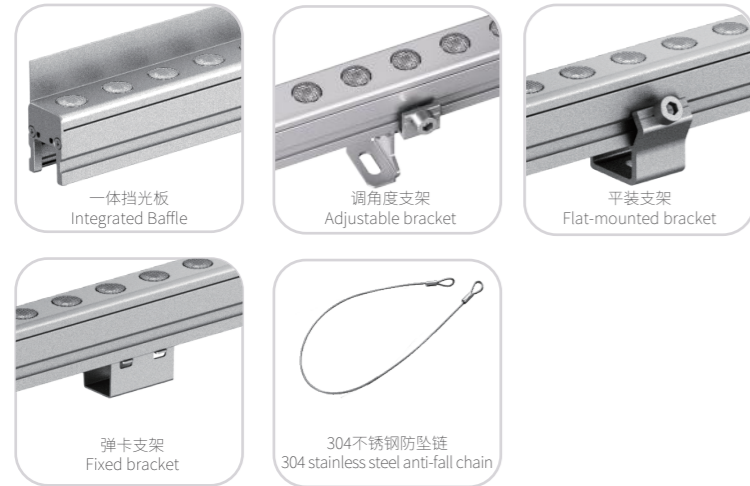
尺寸/DIMENSIONS



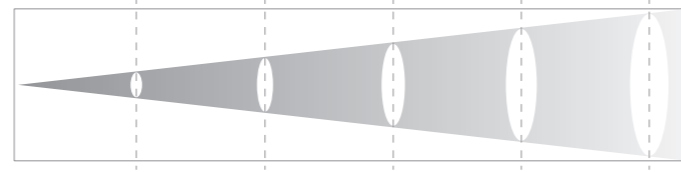
其他尺寸/OTHER DIMENSIONS



EVO 配件/EVO ACCESSORIES



光学数据/OPTICAL DATA



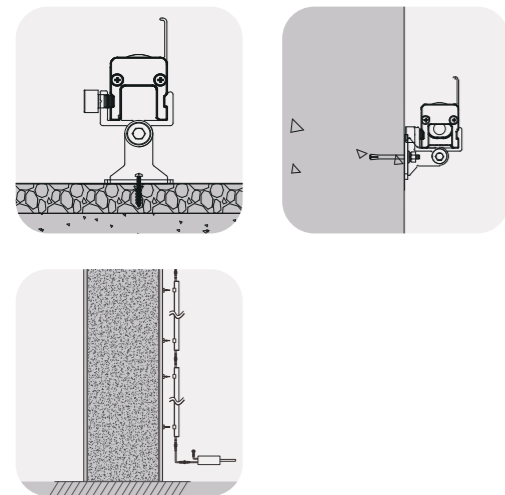
功率/Power 12W

距离 m	0.5	1	1.5	2	2.5
45° 照度 LUX	3095.9	773.9	343.9	193.5	123.8
光斑直径 m	0.4	0.8	1.3	1.7	2.1

型号信息/MODEL INFORMATION

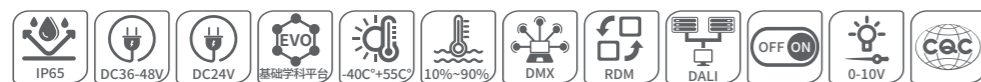
产品型号 Model	长度 Length	功率 Power	电压 Voltage	色温 Color Temperature	角度 Beam Angles	控制协议 Control	芯片品牌 Chips Brand
KMXT -JG4.0 -LX -48A/B/C8	L1000mm	12W	DC24V DC36 - 48V	1800K -6500K 1800K -3000K+4000K -6500K RGB	45°	ON/OFF DMX512 0-10V DALI	CREE OSRAM EPISTAR LUMILEDS SANAN
KMXT -JG4.0 -LX -24A/B/C4	L500mm	6W					
KMXT -JG4.0 -LX -12A/B/C2	L250mm	3W					
KMXT -JG4.0 -LX -48B/D8	L1000mm	15W		1800K -3000K+4000K -6500K RGBW			
KMXT -JG4.0 -LX -24B/D4	L500mm	7.5W					
KMXT -JG4.0 -LX -12B/D2	L250mm	4W					

安装示意图/INSTALLATION DIAGRAM



LED 线条灯 /LED LINEAR LUMINAIRE

KMXT-XH1.0
星汇 1.0

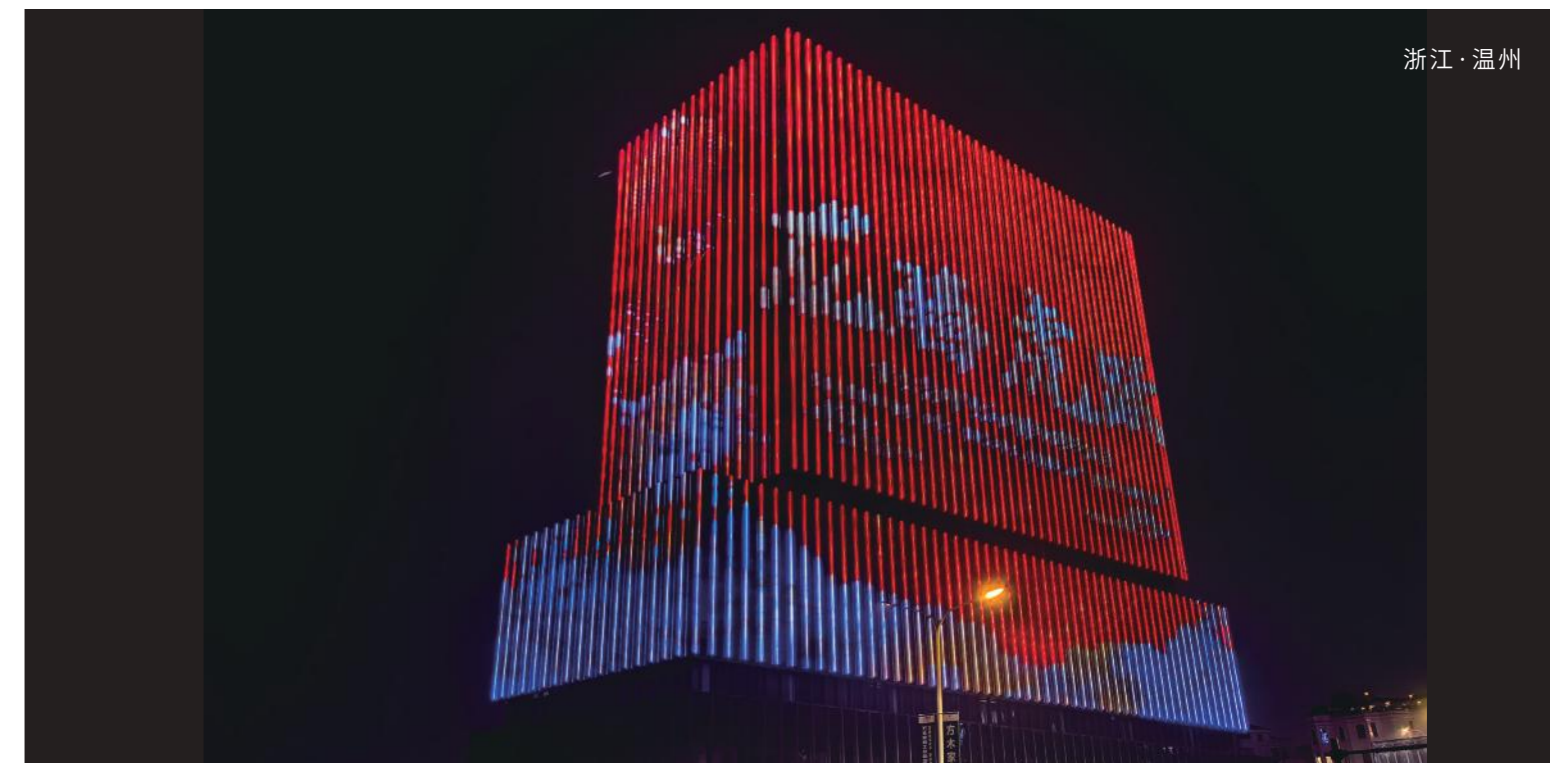


技术参数/PARAMETERS

灯体材质: 6063航空铝灯体	Housing material: 6063 aviation aluminum
高强度拉伸冲压面罩	High-strength aluminum stretch stamping cover
压铸铝堵头	Die-cast aluminum end-cap
高强度铝合金支架	High strength aluminum alloy bracket
表面处理: 表面金属粉漆质感喷涂	Surface Finish: Electrostatically applied polyester powder coat
安装: 可调角度范围:不可调角度	Installation: Non-adjustable brackets
灯具禁止安装在低洼积水处	Luminaires are not allowed to be installed in low-lying water
线材: ON/OFF、0-10V、DALI:100mm两芯1mm²电源防水接头线	Cable: ON/OFF/ 0-10V/ DALI: 100mm two-core 1mm² (Power cable)
DMX512:100mm五芯2*1+3*0.3mm²电源+信号防水接头线	DMX512:100mm five-core 2*1+3*0.3mm² ((Power and signal in a cable)

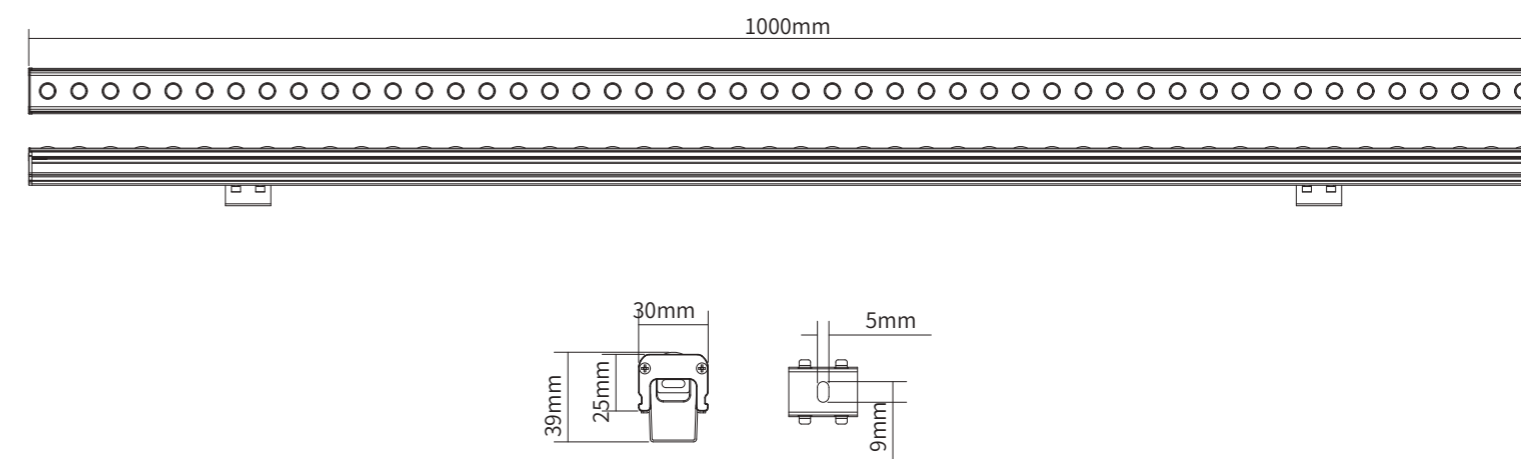
产品特性/FEATURES&BENEFITS

设计简约,线条流畅,易隐藏,完美融入安装场景	Sustainable design,easy to hide, perfect into the installation scene
支持宽电压输入方案:精密的方案设计,高效输出,响应节能战略	Wide Voltage Input:Precise electronic scheme, powerful reach and energy-saving.
支持多种数据传输协议DMX512,0-10V,DALI,DMX512-RDM	Support a variety of data transmission protocols :DMX512,0-10V,DALI,DMX512-RDM
多位处理技术:支持多通道模式,频闪,CCT色温调节,总调光, RGBW/A/L模式, CMY模式, 调光模式等多功能选项	Multibit Processing technique: Support multi-channel mode, stroboscopic, CCT color temperature adjustment,RGBW/A/L mode, CMY mode and other multi-functional options
选配过压/过流监测保护,温度监测管理,白平衡管理,多色单通道高光效管理, CCT/DUV/高亮/高显色温管理,色彩灰阶校正管理	Optional overvoltage/overcurrent monitoring protection, temperature monitoring management, white balance management, multi-color single pass high light efficiency management, CCT/DUV/ high brightness/high color temperature management, color gray level correction



浙江·温州

尺寸/DIMENSIONS



其他尺寸/OTHER DIMENSIONS



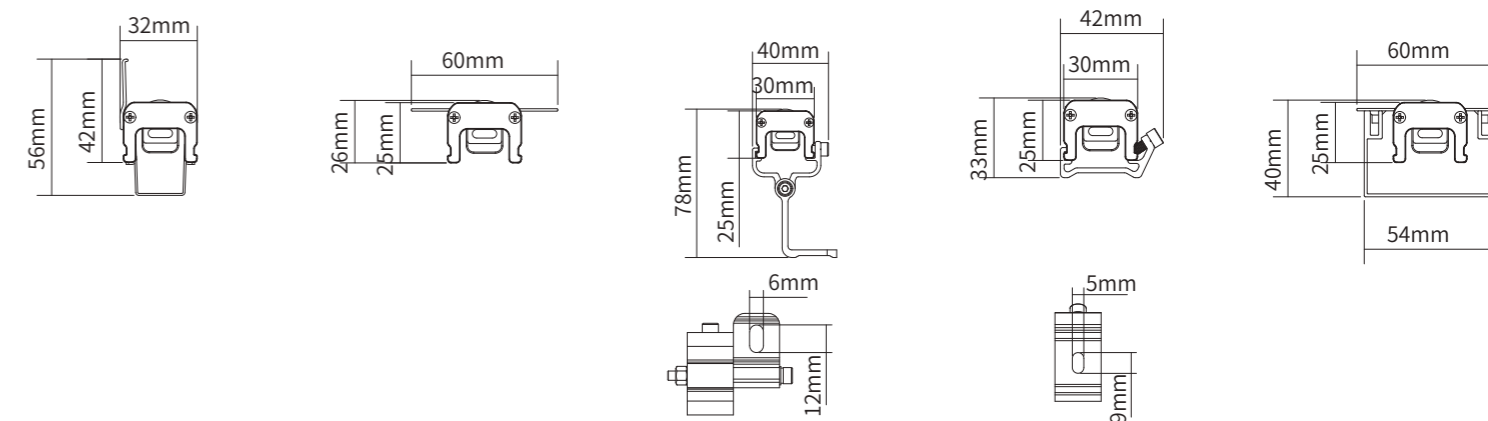
KMXT-XH1.0-TK-CD

KMXT-XH1.0-FY

KMXT-XH1.0-TJ

KMXT-XH1.0-PZ

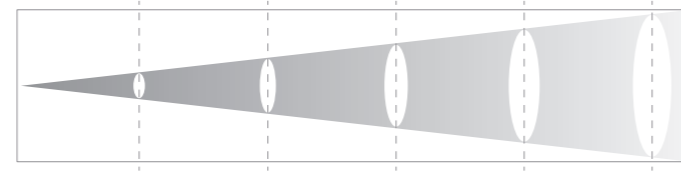
KMXT-XH1.0-CX



EVO 配件/EVO ACCESSORIES



光学数据/OPTICAL DATA



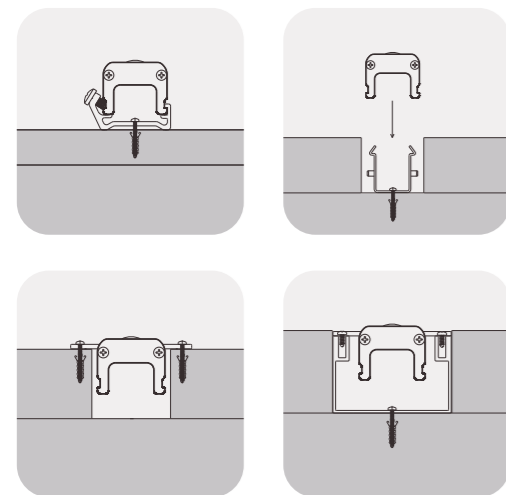
功率/Power 12W

距离 m	0.5	1	1.5	2	2.5
120° 照度 lux	863.8	215.9	95.9	53.9	34.5
光斑直径 m	1.8	3.7	5.6	7.5	9.3

型号信息/MODEL INFORMATION

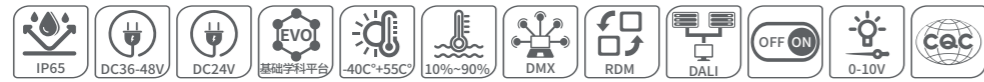
产品型号 Model	长度 Length	功率 Power	电压 Voltage	色温 Color Temperature	角度 Beam Angles	控制协议 Control	芯片品牌 Chips Brand
KMXT -XH1.0 -PZ -48A/B/C8	L1000mm	12W	DC24V DC36 -48V	1800K -6500K 1800K -3000K+4000K -6500K RGB	120°	ON/OFF DMX512★★★ 0-10V DALI	CREE OSRAM EPISTAR LUMILEDS SANAN
KMXT -XH1.0 -PZ -24A/B/C4	L500mm	6W					
KMXT -XH1.0 -PZ -12A/B/C2	L250mm	3W					
KMXT -XH1.0 -PZ -48B/D8	L1000mm	15W		1800K -3000K+4000K -6500K RGBW			
KMXT -XH1.0 -PZ -24B/D4	L500mm	7.5W					
KMXT -XH1.0 -PZ -12B/D2	L250mm	4W					

安装示意图/INSTALLATION DIAGRAM



LED 线条灯 /LED LINEAR LUMINAIRE

KMXT-XH 2.0
星汇 2.0



技术参数/PARAMETERS

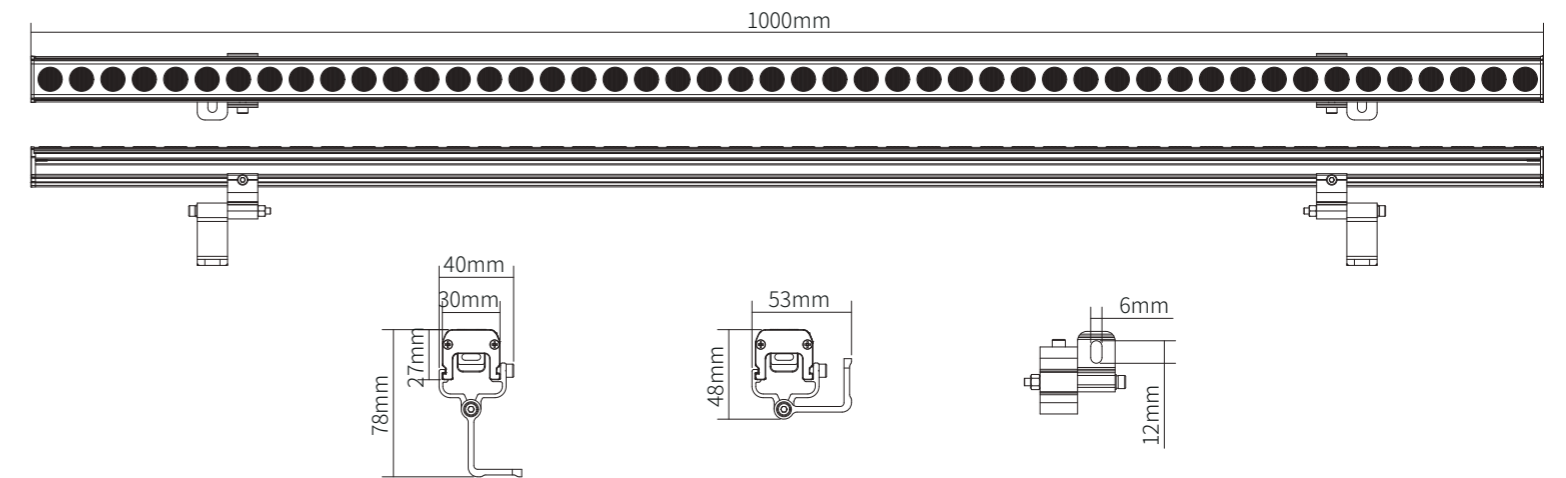
灯体材质: 6063航空铝灯体	Housing material: 6063 aviation aluminum
高强度拉伸冲压面罩	High-strength aluminum stretch stamping cover
压铸铝堵头	Die-cast aluminum end-cap
高强度铝合金支架	High strength aluminum alloy bracket
表面处理: 表面金属粉漆质感喷涂	Surface Finish: Electrostatically applied polyester powder coat
安装: 可调角度范围:可调角度90°	Installation: Luminaires Rotation: 90°
灯具禁止安装在低洼积水处	Luminaires are not allowed to be installed in low-lying water
线材: ON/OFF: 0-10V, DALI: 100mm两芯1mm²电源防水接头线	Cable: ON/OFF/ 0-10V/ DALI: 100mm two-core 1mm² (power cable)
DMX512: 100mm五芯2*1+3*0.3mm²电源+信号防水接头线	DMX512: 100mm five-core 2*1+3*0.3mm² (Power and signal in a cable)

产品特性/FEATURES&BENEFITS

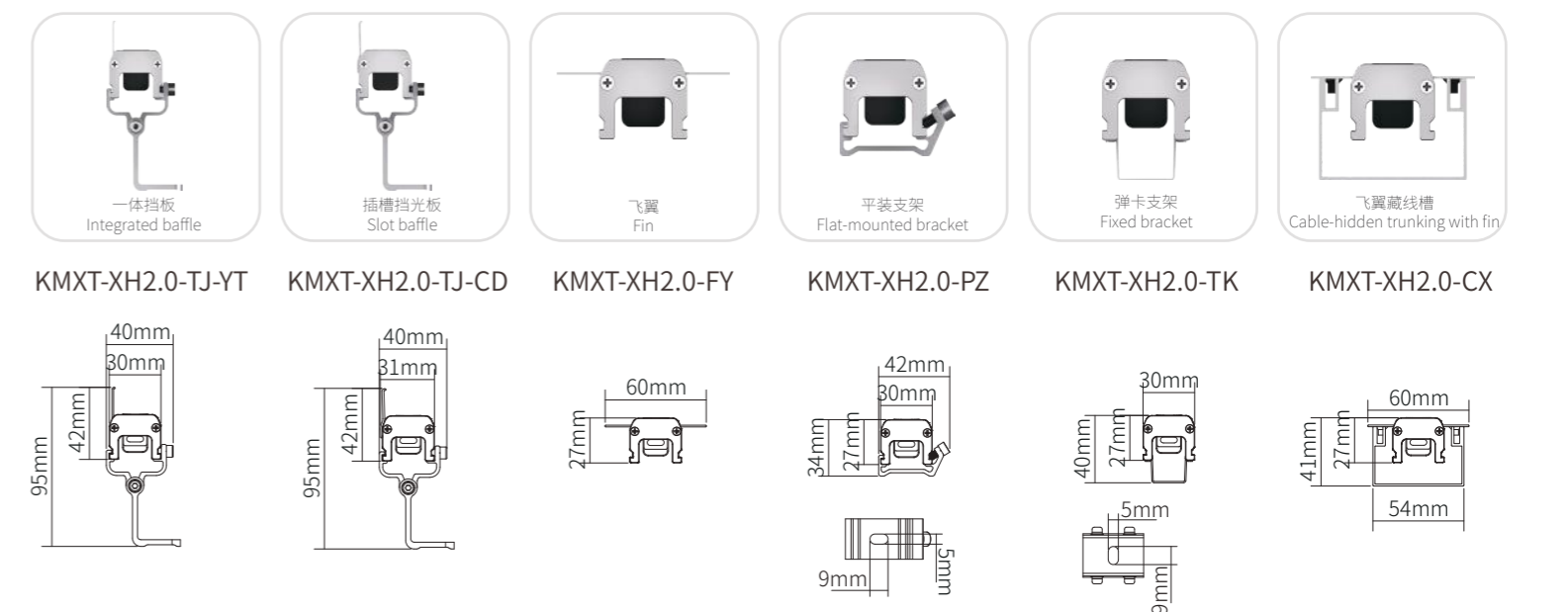
设计简约, 线条流畅, 易隐藏, 完美融入安装场景	Sustainable design, easy to hide, perfect into the installation scene
支持宽电压输入方案: 精密的方案设计, 高效输出, 响应节能战略	Wide Voltage Input: Precise electronic scheme, powerful reach and energy-saving.
支持多种数据传输协议DMX512, 0-10V, DALI, DMX512-RDM	Support a variety of data transmission protocols: DMX512, 0-10V, DALI, DMX512-RDM
多位处理技术: 支持多通道模式, 频闪, CCT色温调节, 总调光, RGBW/A/L模式, CMY模式, 调光模式等多功能选项	Multibit Processing technique: Support multi-channel mode, stroboscopic, CCT color temperature adjustment, RGBW/A/L mode, CMY mode and other multi-functional options
选配过压/过流监测保护, 温度监测管理, 白平衡管理, 多色单通道高光效管理, CCT/DUV/高亮/高显色温管理, 色彩灰阶校正管理	Optional overvoltage/overcurrent monitoring protection, temperature monitoring management, white balance management, multi-color single pass high light efficiency management, CCT/DUV/ high brightness/high color temperature management, color gray level correction



尺寸/DIMENSIONS



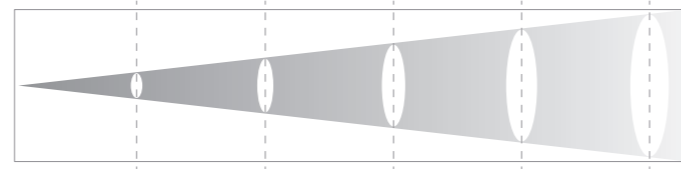
其他尺寸/OTHER DIMENSIONS



EVO 配件/EVO ACCESSORIES



光学数据/OPTICAL DATA



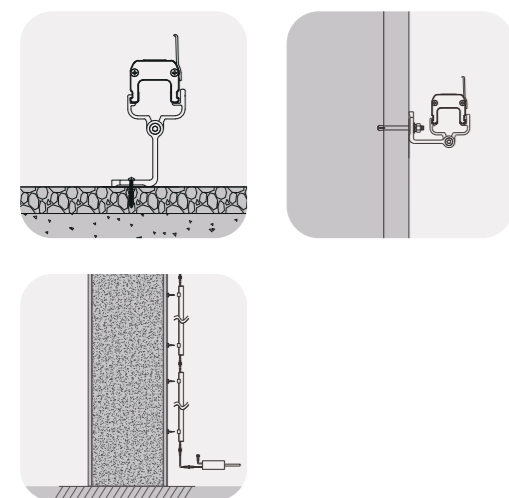
功率/Power 12W

距离 m	0.5	1	1.5	2	2.5
40°45° 照度 LUX	2852.8	713.2	316.9	178.3	114.1
光圈直径 m	0.3	0.7	1.07	1.4	1.7
距离 m	0.5	1	1.5	2	2.5
25° 照度 LUX	8075.0	2018.7	897.2	504.6	323.0
光圈直径 m	0.2	0.4	0.7	0.9	1.1
距离 m	0.5	1	1.5	2	2.5
30° 照度 LUX	6196.0	1549.0	688.4	387.2	247.8
光圈直径 m	0.2	0.5	0.7	1.0	1.2
距离 m	0.5	1	1.5	2	2.5
35° 照度 LUX	4725.1	1181.3	525.0	295.3	189.0
光圈直径 m	0.3	0.6	0.9	1.2	1.6
距离 m	0.5	1	1.5	2	2.5
50° 照度 LUX	3408.6	852.1	378.7	213.0	136.3
光圈直径 m	0.4	0.9	1.3	1.8	2.3

型号信息/MODEL INFORMATION

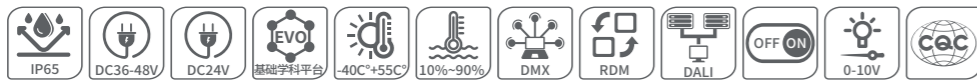
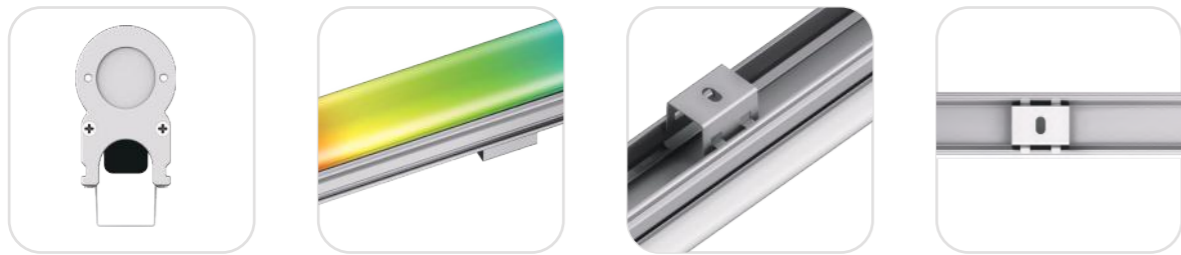
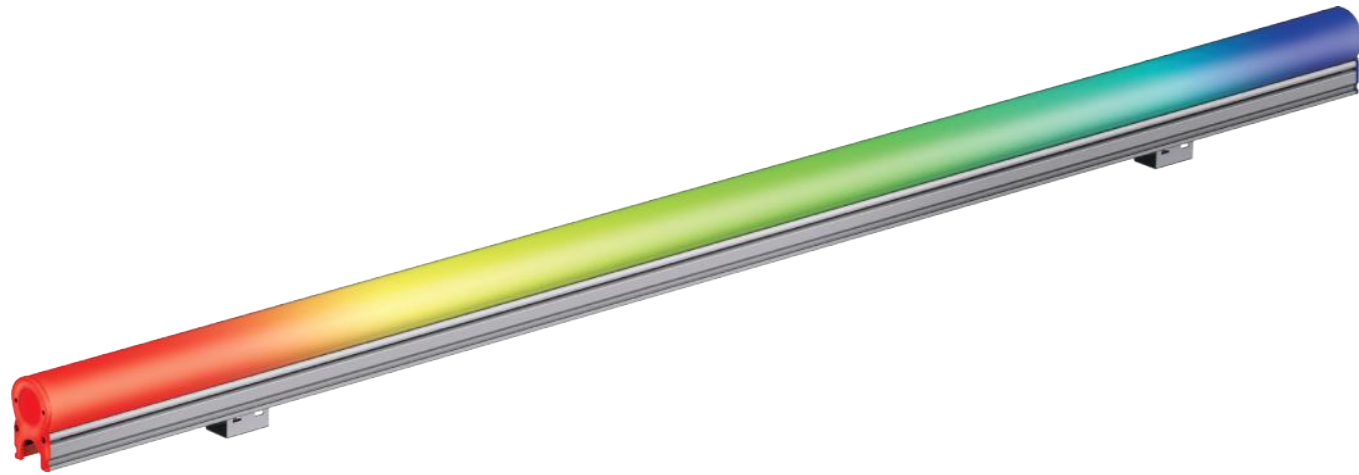
产品型号 Model	长度 Length	功率 Power	电压 Voltage	色温 Color Temperature	角度 Beam Angles	控制协议 Control	芯片品牌 Chips Brand
KMXT-XH2.0-LX-48A/B/C8	L1000mm	12W	DC24V DC36-48V	1800K-6500K 1800K-3000K+4000K-6500K RGB	40°45°(25°、30°、35°、50°)	ON/OFF DMX512★★★ 0-10V DALI	CREE OSRAM EPISTAR LUMILEDS SANAN
KMXT-XH2.0-LX-24A/B/C4	L500mm	6W					
KMXT-XH2.0-LX-12A/B/C2	L250mm	3W					
KMXT-XH2.0-LX-48B/D8	L1000mm	15W		1800K-3000K+4000K-6500K RGBW			
KMXT-XH2.0-LX-24B/D4	L500mm	7.5W					
KMXT-XH2.0-LX-12B/D2	L250mm	4W					

安装示意图/INSTALLATION DIAGRAM



LED 线条灯 /LED LINEAR LUMINAIRE

KMXT-XH3.0
星汇 3.0



技术参数/PARAMETERS

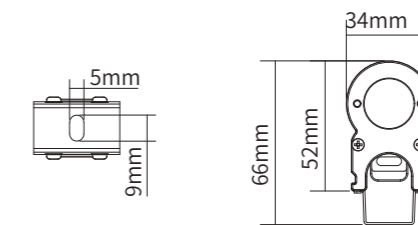
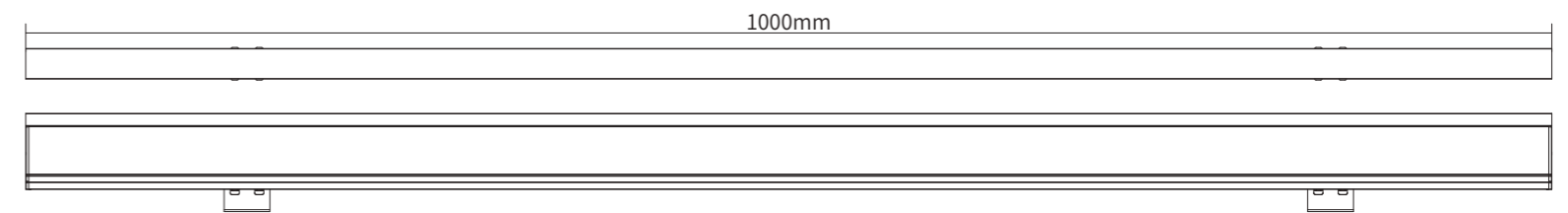
灯体材质: 6063航空铝灯体	Housing material: 6063 aviation aluminum
进口抗UV老化PC面罩	Imported anti-UV aging PC cover
高强度铝合金支架	High strength aluminum alloy bracket
表面处理: 表面金属粉漆质感喷涂	Surface Finish: Electrostatically applied polyester powder coat
安装: 可调角度范围:不可调角度	Installation: Non-adjustable brackets
灯具禁止安装在低洼积水处	Luminaires are not allowed to be installed in low-lying water
线材: ON/OFF、0-10V、DALI: 100mm两芯1mm²电源防水接头线	Cable: ON/OFF/ 0-10V/ DALI: 100mm two-core 1mm² (Power cable)
DMX512:100mm五芯2*1+3*0.3mm²电源+信号防水接头线	DMX512:100mm five-core 2*1+3*0.3mm² (Power and signal in a cable)

产品特性/FEATURES&BENEFITS

设计简约,线条流畅,易隐藏,完美融入安装场景	Sustainable design,easy to hide, perfect into the installation scene
出光角度大且均匀柔和细腻,不眩光,提供良好的视觉舒适度	Wide spread light and uniform, soft and delicate, no glare, providing good visual comfort
支持宽电压输入方案:精密的方案设计,高效输出,响应节能战略	Wide Voltage Input:Precise electronic scheme, powerful reach and energy-saving.
支持多种数据传输协议DMX512,0-10V,DALI,DMX512-RDM	Support a variety of data transmission protocols :DMX512,0-10V,DALI,DMX512-RDM
多位处理技术:支持多通道模式,频闪,CCT色温调节,总调光,RGBW/A/L模式,CMY模式,调光模式等多功能选项	Multibit Processing technique:Support multi-channel mode, stroboscopic, CCT color temperature adjustment,RGBW/A/L mode, CMY mode and other multi-functional options
选配过压/过流监测保护,温度监测管理,白平衡管理,多色单通道高光效管理,CCT/DUV/高亮/高显色温管理,色彩灰阶校正管理	Optional overvoltage/overcurrent monitoring protection, temperature monitoring management, white balance management, multi-color single pass high light efficiency management, CCT/DUV/ high brightness/high color temperature management, color gray level correction management



尺寸/DIMENSIONS



其他尺寸/OTHER DIMENSIONS



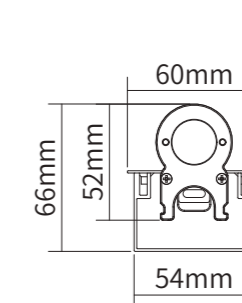
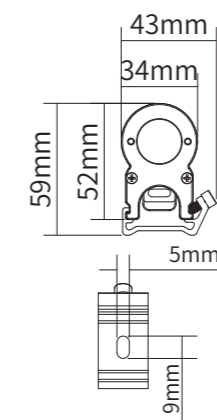
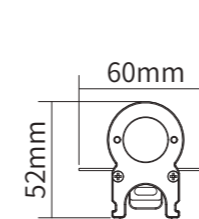
KMXT-XH3.0-FY



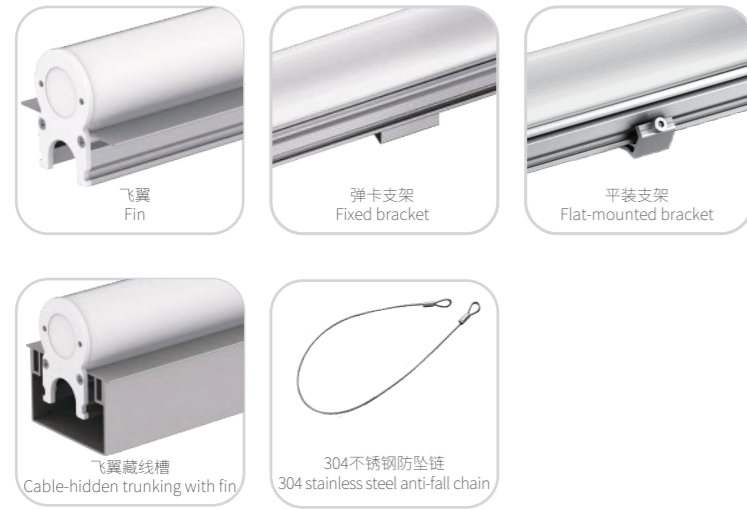
KMXT-XH3.0-PZ



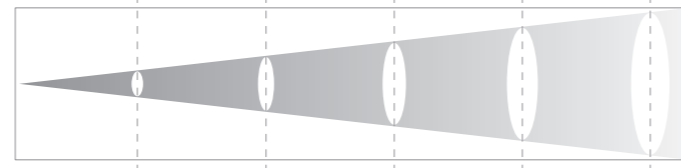
KMXT-XH 3.0-CX



EVO 配件/EVO ACCESSORIES



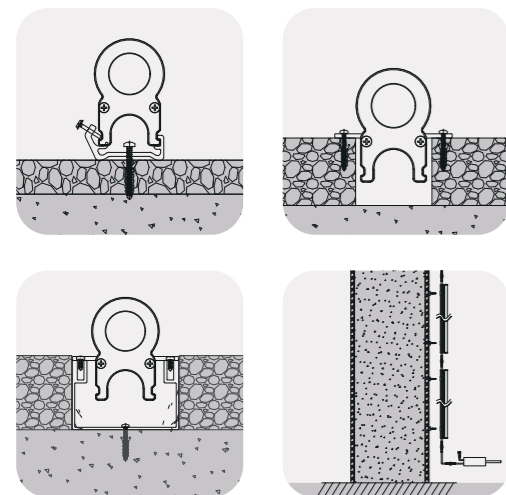
光学数据/OPTICAL DATA



功率/Power 12W

距离m	0.5	1	1.5	2	2.5
180° 照度LUX	343.3	85.8	38.1	21.4	13.7
光圈直径m	1.8	3.7	5.6	7.5	9.3

安装示意图/INSTALLATION DIAGRAM

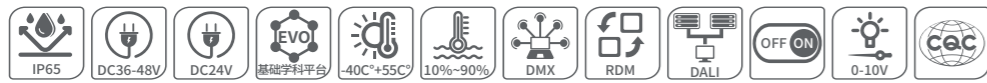
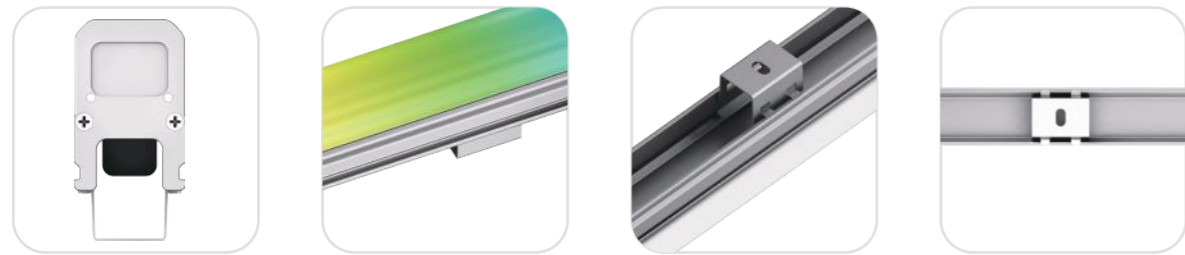
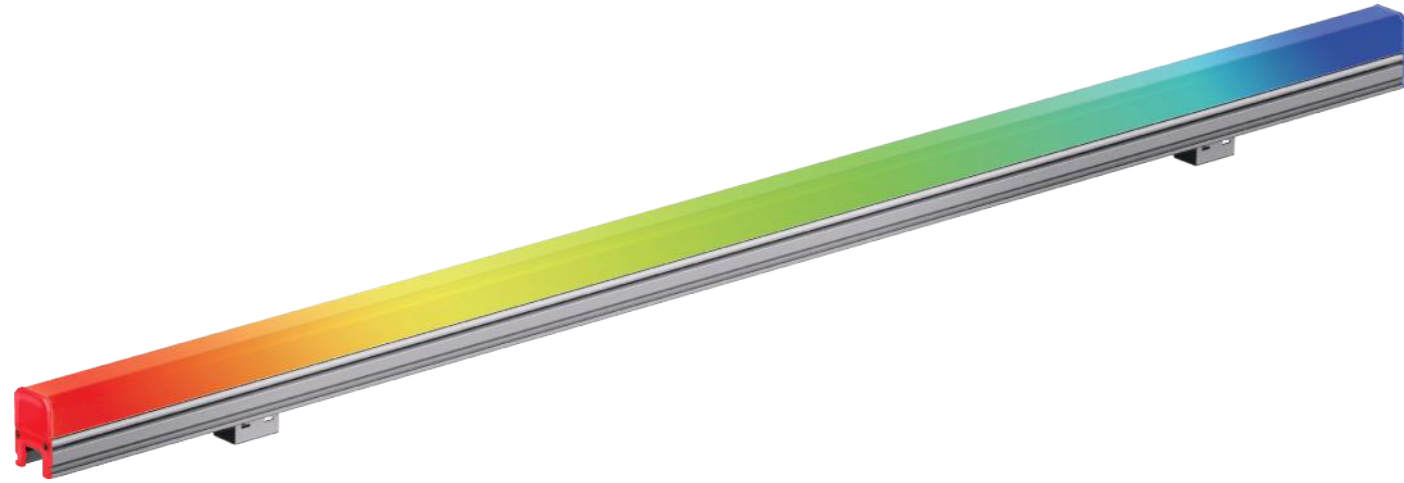


型号信息/MODEL INFORMATION

产品型号 Model	长度 Length	功率 Power	电压 Voltage	色温 Color Temperature	角度 Beam Angles	控制协议 Control	芯片品牌 Chips Brand
KMXT -XH3.0 -PZ -48A/B/C8	L1000mm	12W	DC24V DC36 -48V	1800K -6500K 1800K -3000K+4000K -6500K RGB	180°	ON/OFF DMX512★★★★ 0-10V DALI	CREE OSRAM EPISTAR LUMILEDS SANAN
KMXT -XH3.0 -PZ -24A/B/C4	L500mm	6W					
KMXT -XH3.0 -PZ -12A/B/C2	L250mm	3W					
KMXT -XH3.0 -PZ -60A/B/C/D10	L1000mm	15W		1800K -6500K 1800K -3000K+4000K -6500K RGB RGBW			
KMXT -XH3.0 -PZ -30A/B/C/D5	L500mm	7.5W					
KMXT -XH3.0 -PZ -18A/B/C/D3	L300mm	4W					
KMXT -XH3.0 -PZ -48B/D8	L1000mm	15W		1800K -3000K+4000K -6500K RGBW			
KMXT -XH3.0 -PZ -24B/D4	L500mm	7.5W					
KMXT -XH3.0 -PZ -12B/D2	L250mm	4W					

LED 线条灯 /LED LINEAR LUMINAIRE

KMXT-XH4.0
星汇 4.0



技术参数/PARAMETERS

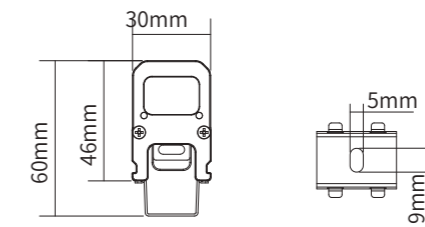
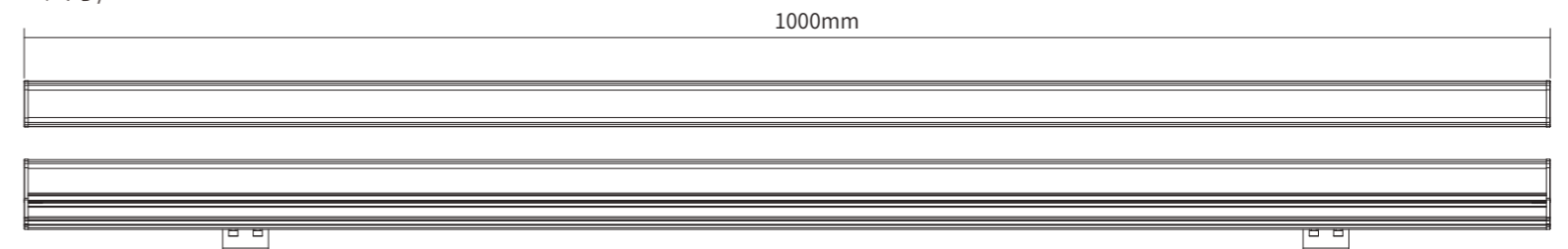
灯体材质: 6063航空铝灯体	Housing material: 6063 aviation aluminum
进口抗UV老化PC面罩	Imported anti-UV aging PC cover
高强度铝合金支架	High strength aluminum alloy bracket
表面处理: 表面金属粉末质感喷涂	Surface Finish: Electrostatically applied polyester powder coat
安装: 可调角度范围:不可调角度	Installation: Non-adjustable brackets
灯具禁止安装在低洼积水处	Luminaires are not allowed to be installed in low-lying water
线材: ON/OFF、0-10V、DALI:100mm两芯1mm²电源防水接头线	Cable: ON/OFF/ 0-10V/ DALI: 100mm two-core 1mm² (power cable)
DMX512:100mm五芯2*1+3*0.3mm²电源+信号防水接头线	DMX512:100mm five-core 2*1+3*0.3mm²(Power and signal in a cable)

产品特性/FEATURES&BENEFITS

设计简约,线条流畅,易隐藏,完美融入安装场景	Sustainable design,easy to hide, perfect into the installation scene
出光角度大且均匀柔和细腻,不眩光,提供良好的视觉舒适度	Wide spread light and uniform, soft and delicate, no glare, providing good visual comfort
支持宽电压输入方案:精密的方案设计,高效输出,响应节能战略	Wide Voltage Input: Precise electronic scheme, powerful reach and energy-saving.
支持多种数据传输协议DMX512,0-10V,DALI,DMX512-RDM	Support a variety of data transmission protocols :DMX512,0-10V,DALI,DMX512-RDM
多位处理技术:支持多通道模式,频闪, CCT色温调节,总调光, RGBW/A/L模式, CMY模式,调光模式等多功能选项	Multibit Processing technique:Support multi-channel mode, stroboscopic, CCT color temperature adjustment,RGBW/A/L mode, CMY mode and other multi-functional options
选配过压/过流监测保护,温度监测管理,白平衡管理,多色单通道高光效管理, CCT/DUV/高亮/高显色温管理,色彩灰阶校正管理	Optional overvoltage/overcurrent monitoring protection, temperature monitoring management, white balance management, multi-color single pass high light efficiency management, CCT/DUV/ high brightness/high color temperature management, color gray level correction management



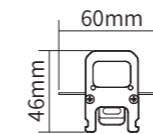
尺寸/DIMENSIONS



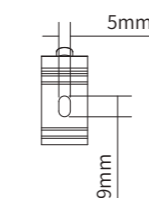
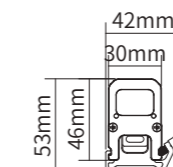
其他尺寸/OTHER DIMENSIONS



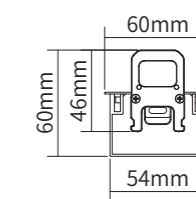
KMXT-XH4.0-FY



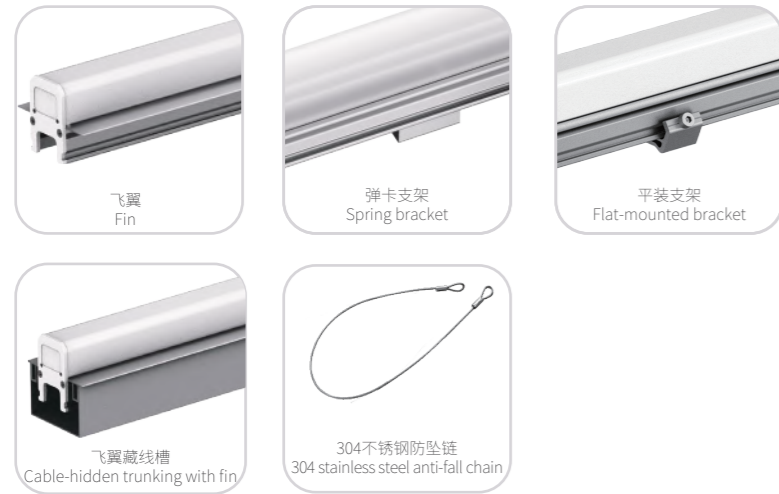
KMXT-XH4.0-PZ



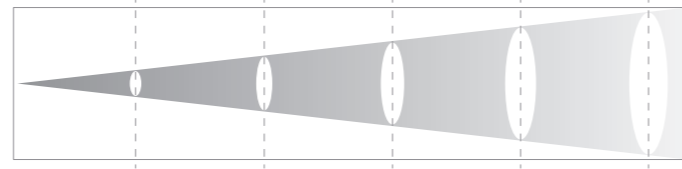
KMXT-XH4.0-CX



EVO 配件/EVO ACCESSORIES



光学数据/OPTICAL DATA



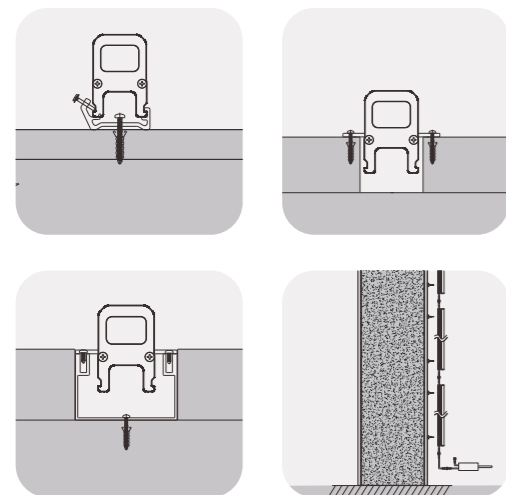
功率/Power 12W

距离 m	0.5	1	1.5	2	2.5
120° 照度 LUX	377.0	94.2	41.8	23.5	15.0
光斑直径 m	1.8	3.7	5.6	7.5	9.3

型号信息/MODEL INFORMATION

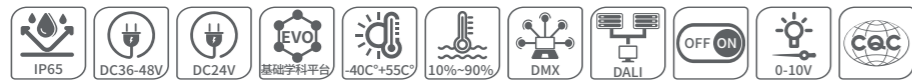
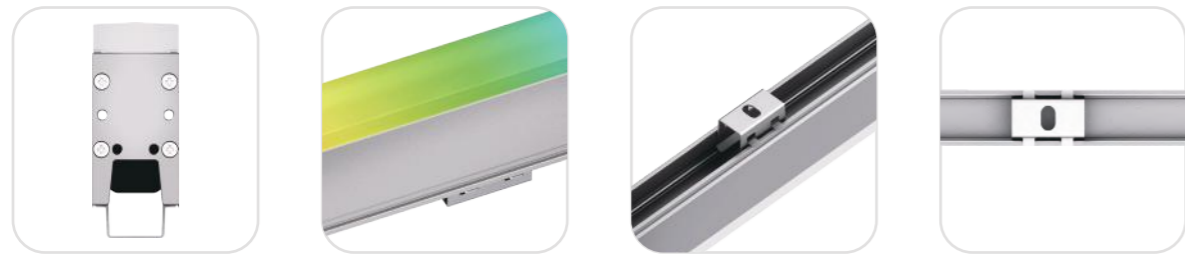
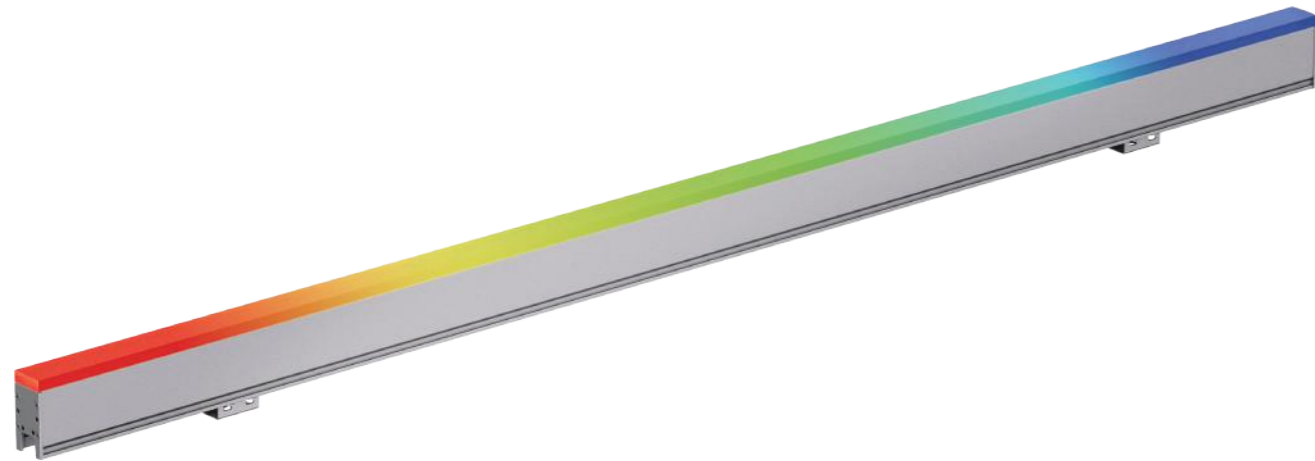
产品型号 Model	长度 Length	功率 Power	电压 Voltage	色温 Color Temperature	角度 Beam Angles	控制协议 Control	芯片品牌 Chips Brand
KMXT -XH4.0 -PZ -48A/B/C8	L1000mm	12W	DC24V DC36 -48V	1800K -6500K 1800K -3000K+4000K -6500K RGB	180°	ON/OFF DMX512★★★ 0-10V DALI	CREE OSRAM EPISTAR LUMILEDS SANAN
KMXT -XH4.0 -PZ -24A/B/C4	L500mm	6W					
KMXT -XH4.0 -PZ -12A/B/C2	L250mm	3W					
KMXT -XH4.0 -PZ -60A/B/C/D10	L1000mm	15W		1800K -6500K 1800K -3000K+4000K -6500K RGB RGBW			
KMXT -XH4.0 -PZ -30A/B/C/D5	L500mm	7.5W					
KMXT -XH4.0 -PZ -18A/B/C/D3	L300mm	4W					
KMXT -XH4.0 -PZ -48B/D8	L1000mm	15W		1800K -3000K+4000K -6500K RGBW			
KMXT -XH4.0 -PZ -24B/D4	L500mm	7.5W					
KMXT -XH4.0 -PZ -12B/D2	L250mm	4W					

安装示意图/INSTALLATION DIAGRAM



LED 线条灯 /LED LINEAR LUMINAIRE

KMXT-HY1.0
幻影 1.0



技术参数/PARAMETERS

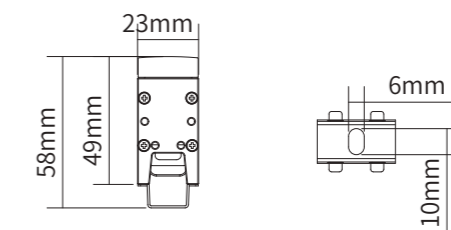
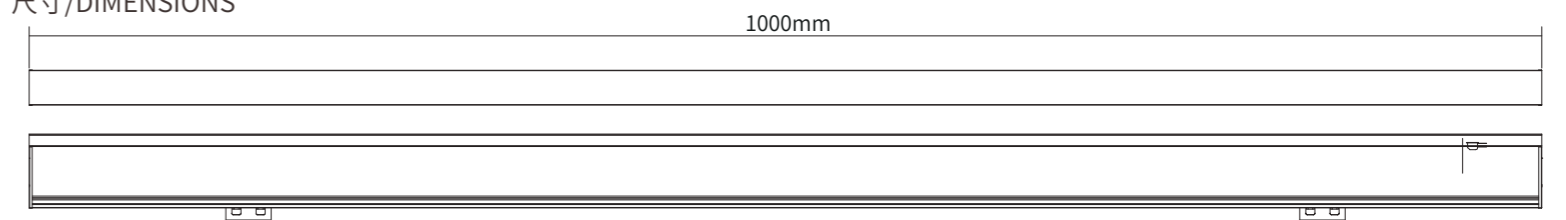
灯体材质: 6063航空铝灯体	Housing material: 6063 aviation aluminum
高透光率实心抗UV老化亚克力面罩	High transmittance solid anti-UV aging acrylic cover
压铸铝堵头	Die-cast aluminum end-cap
304不锈钢冲压支架	304 stainless steel stamping bracket
表面处理: 表面金属粉质感喷涂	Surface Finish: Electrostatically applied polyester powder coat
安装: 可调角度范围:不可调角度	Installation: Non-adjustable brackets
灯具禁止安装在低洼积水处	Luminaires are not allowed to be installed in low-lying water
线材: ON/OFF、0-10V、DALI: 100mm两芯1mm²电源防水接头线	Cable: ON/OFF/ 0-10V/ DALI: 100mm two-core 1mm² (power cable)
DMX512:100mm五芯2*1+3*0.3mm²电源+信号防水接头线	DMX512:100mm five-core 2*1+3*0.3mm²(Power and signal in a cable)

产品特性/FEATURES&BENEFITS

小巧精致, 易隐藏, 完美融入安装场景	Small size and delicate, easy to hide, perfect into the installation scene
出光均匀柔和细腻, 不眩光, 提供良好的视觉舒适度	Wide spread light and uniform, soft and delicate, no glare, providing good visual comfort
支持宽电压输入方案, 精密的方案设计, 高效输出, 响应节能战略	Wide Voltage Input: Precise electronic scheme, powerful reach and energy-saving
支持多种数据传输协议DMX512,0-10V,DALI	Support a variety of data transmission protocols:DMX512,0-10V,DALI
多位处理技术:支持亮度调节, 内置亮灯模式设置, 自动编码	Multi-bit processing technology: Support brightness adjustment, built-in lighting mode setting, automatic coding



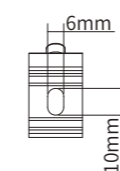
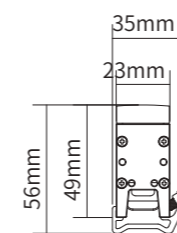
尺寸/DIMENSIONS



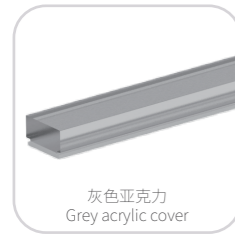
其他尺寸/OTHER DIMENSIONS



平装支架
Flat-mounted bracket
KMXT-HY1.0-PZ



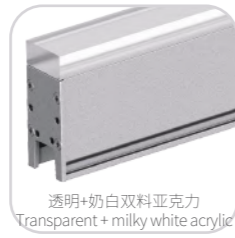
EVO 配件/EVO ACCESSORIES



灰色亚克力
Grey acrylic cover



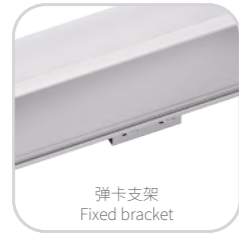
亚克力丝印点面罩
Acrylic silk screen dot mask



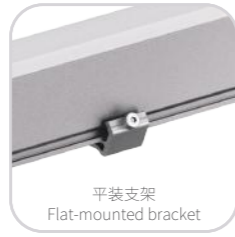
透明+奶白双料亚克力
Transparent + milky white acrylic



奶白面罩
Milky white cover



弹卡支架
Fixed bracket

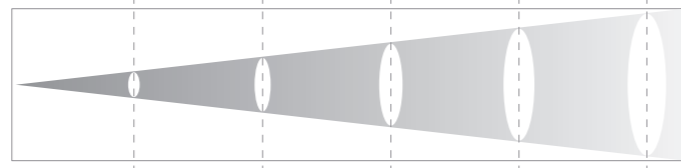


平装支架
Flat-mounted bracket



304不锈钢防坠链
304 stainless steel anti-fall chain

光学数据/OPTICAL DATA



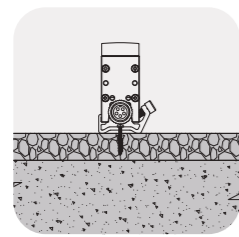
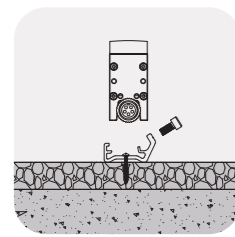
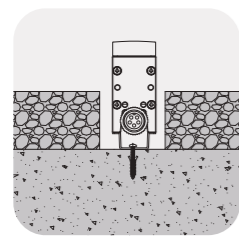
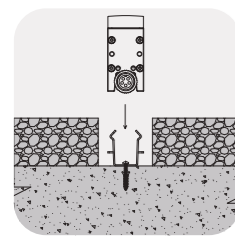
功率/Power 12W

距离 m	0.5	1	1.5	2	2.5
120° 照度 LUX	315.7	78.9	35.0	19.7	12.6
光圈直径 m	3.1	6.3	9.4	12.5	15.7

型号信息/MODEL INFORMATION

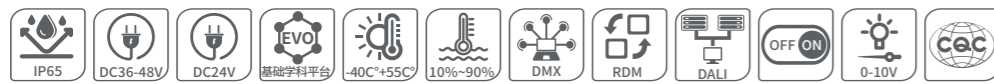
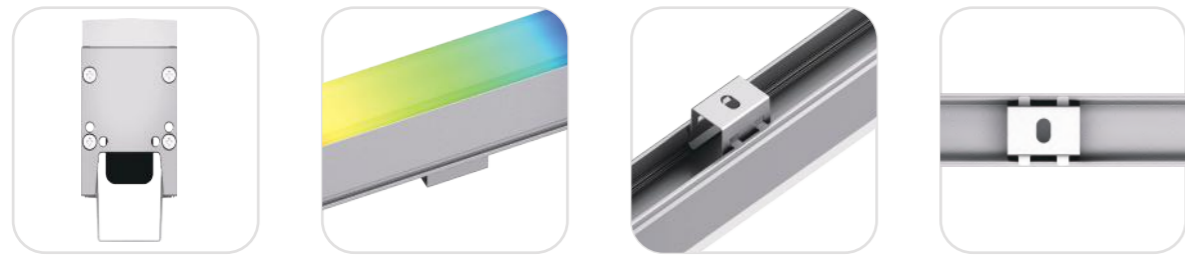
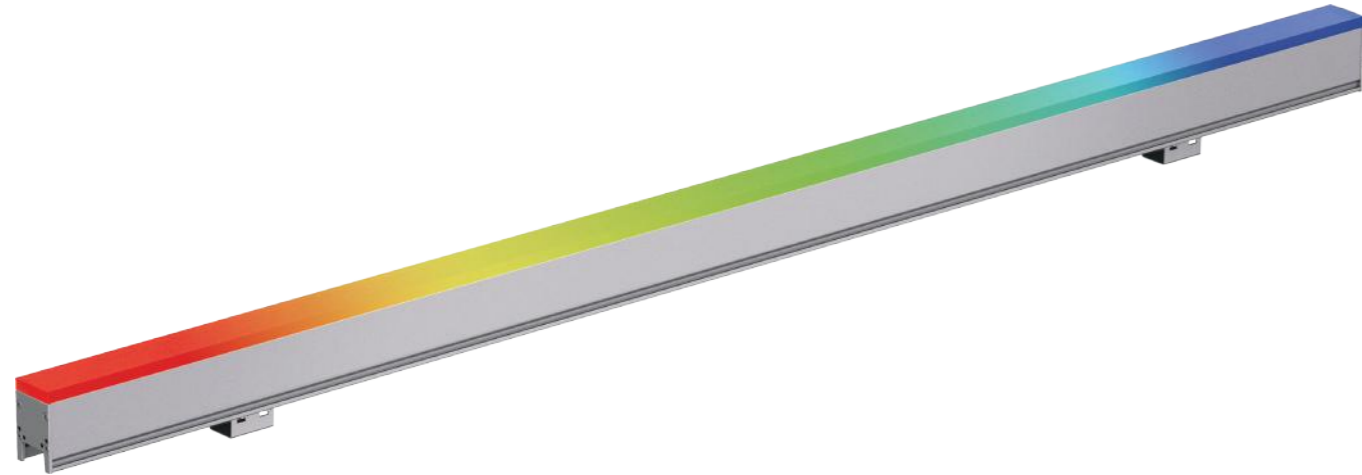
产品型号 Model	长度 Length	功率 Power	电压 Voltage	色温 Color Temperature	角度 Beam Angle	控制协议 Control	芯片品牌 Chips Brand
KMXT -HY1.0 -PZ-48A/B/C8	L1000mm	12W	DC24V DC36-48V	1800K-6500K 1800K-3000K+4000K-6500K RGB	120°	ON/OFF DMX512 0-10V DALI	CREE OSRAM EPISTAR LUMILEDS SANAN
KMXT -HY1.0 -PZ-24A/B/C4	L500mm	6W					
KMXT -HY1.0 -PZ-12A/B/C2	L250mm	3W					
KMXT -HY1.0 -PZ-48B/D8	L1000mm	15W		1800K-3000K+4000K-6500K RGBW			
KMXT -HY1.0 -PZ-24B/D4	L500mm	7.5W					
KMXT -HY1.0 -PZ-12B/D2	L250mm	4W					

安装示意图/INSTALLATION DIAGRAM



LED 线条灯 / LED LINEAR LUMINAIRE

KMXT-HY2.0
幻影 2.0



技术参数/PARAMETERS

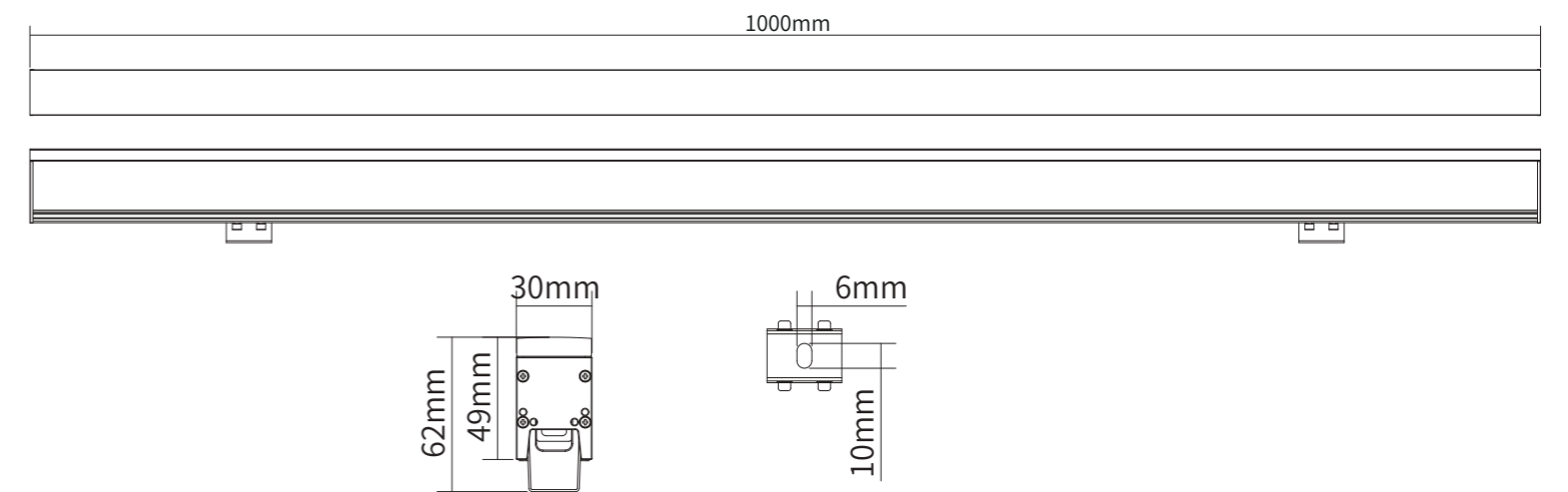
灯体材质: 6063航空铝灯体	Housing material: 6063 aviation aluminum
高透光率实心抗UV老化亚克力面罩	High transmittance solid anti-UV aging acrylic cover
压铸铝堵头	Die-cast aluminum end-cap
304不锈钢冲压支架	304 stainless steel stamping bracket
表面处理: 表面金属粉漆质感喷涂	Surface Finish: Electrostatically applied polyester powder coat
安装: 可调角度范围:不可调角度	Installation: Non-adjustable brackets
灯具禁止安装在低洼积水处	Luminaires are not allowed to be installed in low-lying water
线材: ON/OFF、0-10V、DALI: 100mm两芯1mm²电源防水接头线	Cable: ON/OFF/ 0-10V/ DALI: 100mm two-core 1mm² (Power cable)
DMX512: 100mm五芯2*1+3*0.3mm²电源+信号防水接头线	DMX512: 100mm five-core 2*1+3*0.3mm² (Power and signal in a cable)

产品特性/FEATURES&BENEFITS

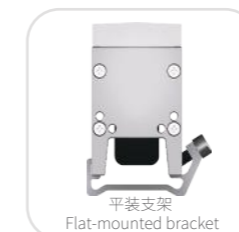
小巧精致, 易隐藏, 完美融入安装场景	Small size and delicate, easy to hide, perfect into the installation scene
出光均匀柔和细腻, 不眩光, 提供良好的视觉舒适度	Wide spread light and uniform, soft and delicate, no glare, providing good visual comfort
支持宽电压输入方案, 精密的方案设计, 高效输出, 响应节能战略	Wide Voltage Input: Precise electronic scheme, powerful reach and energy-saving
支持多种数据传输协议DMX512、0-10V、DALI、DMX512-RDM	Support a variety of data transmission protocols: DMX512、0-10V、DALI、DMX512-RDM
多位处理技术: 支持多通道模式, 频闪, CCT色温调节, 总调光, RGBW/A/L模式, CMY模式, 调光模式等多功能选项	Multibit Processing technique: Support multi-channel mode, stroboscopic, CCT color temperature adjustment, RGBW/A/L mode, CMY mode and other multi-functional options
选配过压/过流监测保护, 温度监测管理, 白平衡管理, 多色单通道高光效管理, CCT/DUV/高亮/高显色温管理, 色彩灰阶校正管理	Optional overvoltage/overcurrent monitoring protection, temperature monitoring management, white balance management, multi-color single pass high light efficiency management, CCT/DUV/ high brightness/high color temperature management, color gray level correction management



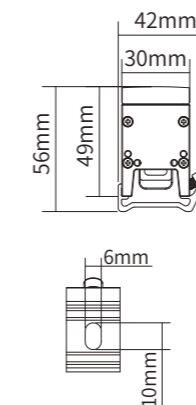
尺寸/DIMENSIONS



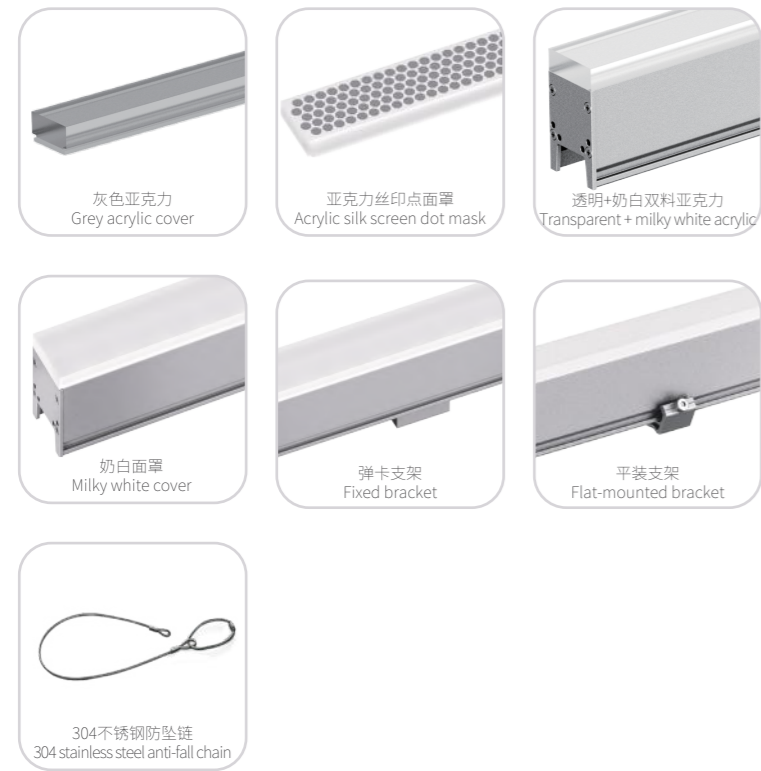
其他尺寸/OTHER DIMENSIONS



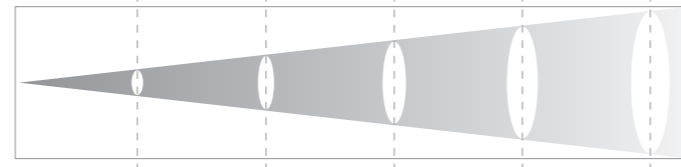
KMXT-HY2.0-PZ



EVO 配件/EVO ACCESSORIES



光学数据/OPTICAL DATA



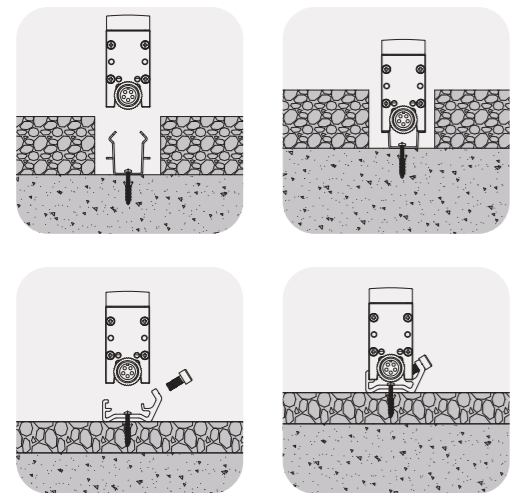
功率/Power 12W

距离m	0.5	1	1.5	2	2.5
120° 照度LUX	345.6	86.4	38.4	21.6	13.8
光圈直径m	2.5	5.0	7.6	10.1	12.6

型号信息/MODEL INFORMATION

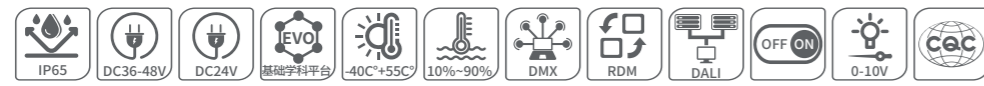
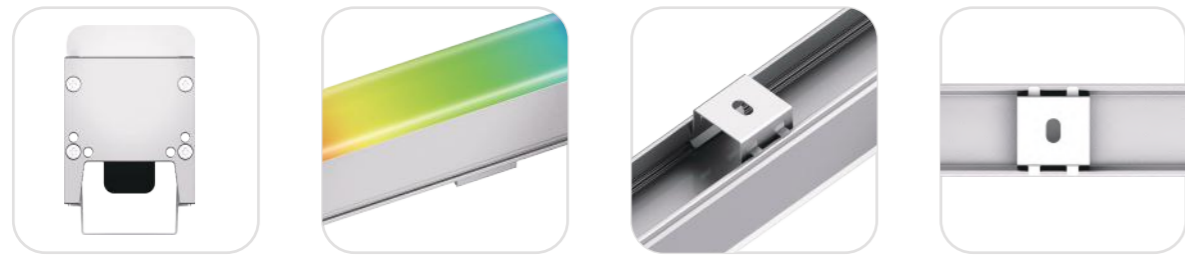
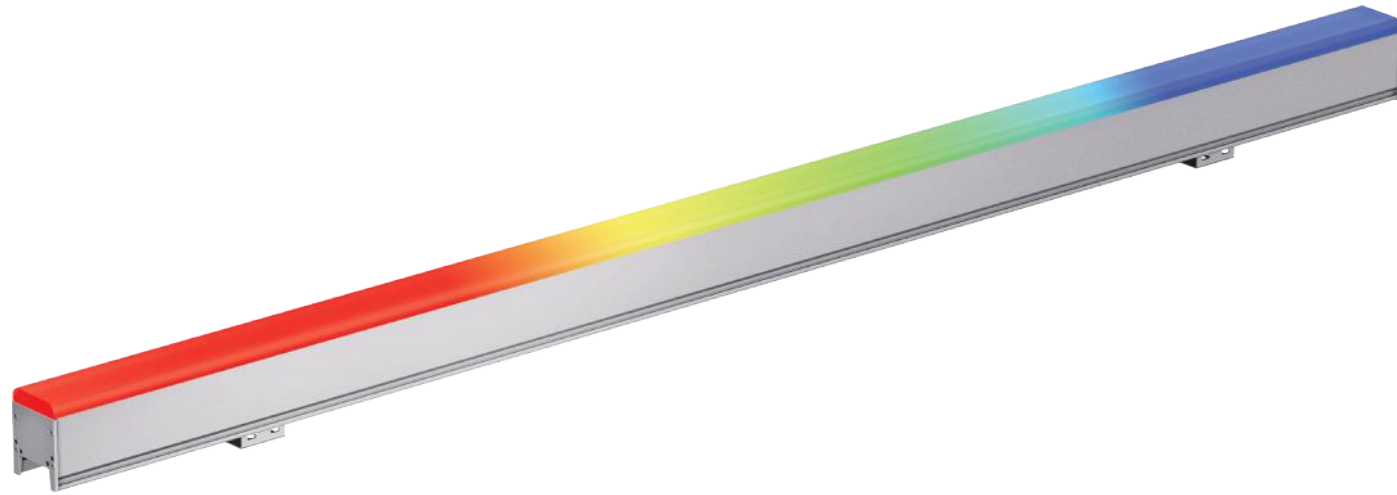
产品型号 Model	长度 Length	功率 Power	电压 Voltage	色温 Color Temperature	角度 Beam Angles	控制协议 Control	芯片品牌 Chips Brand
KMXT -HY2.0 -PZ -48A/B/C8	L1000mm	12W	DC24V DC36 -48V	1800K -6500K 1800K -3000K+4000K -6500K RGB	120°	ON/OFF DMX512★★★ 0-10V DALI	CREE OSRAM EPISTAR LUMILEDS SANAN
KMXT -HY2.0 -PZ -24A/B/C4	L500mm	6W					
KMXT -HY2.0 -PZ -12A/B/C2	L250mm	3W					
KMXT -HY2.0 -PZ -60A/B/C/D10	L1000mm	15W		1800K -6500K 1800K -3000K+4000K -6500K RGB RGBW			
KMXT -HY2.0 -PZ -30A/B/C/D5	L500mm	7.5W					
KMXT -HY2.0 -PZ -18A/B/C/D3	L300mm	4W					
KMXT -HY2.0 -PZ -48B/D8	L1000mm	15W		1800K -3000K+4000K -6500K RGBW			
KMXT -HY2.0 -PZ -24B/D4	L500mm	7.5W					
KMXT -HY2.0 -PZ -12B/D2	L250mm	4W					

安装示意图/INSTALLATION DIAGRAM



LED 线条灯 /LED LINEAR LUMINAIRE

KMXT-HY3.0
幻影 3.0

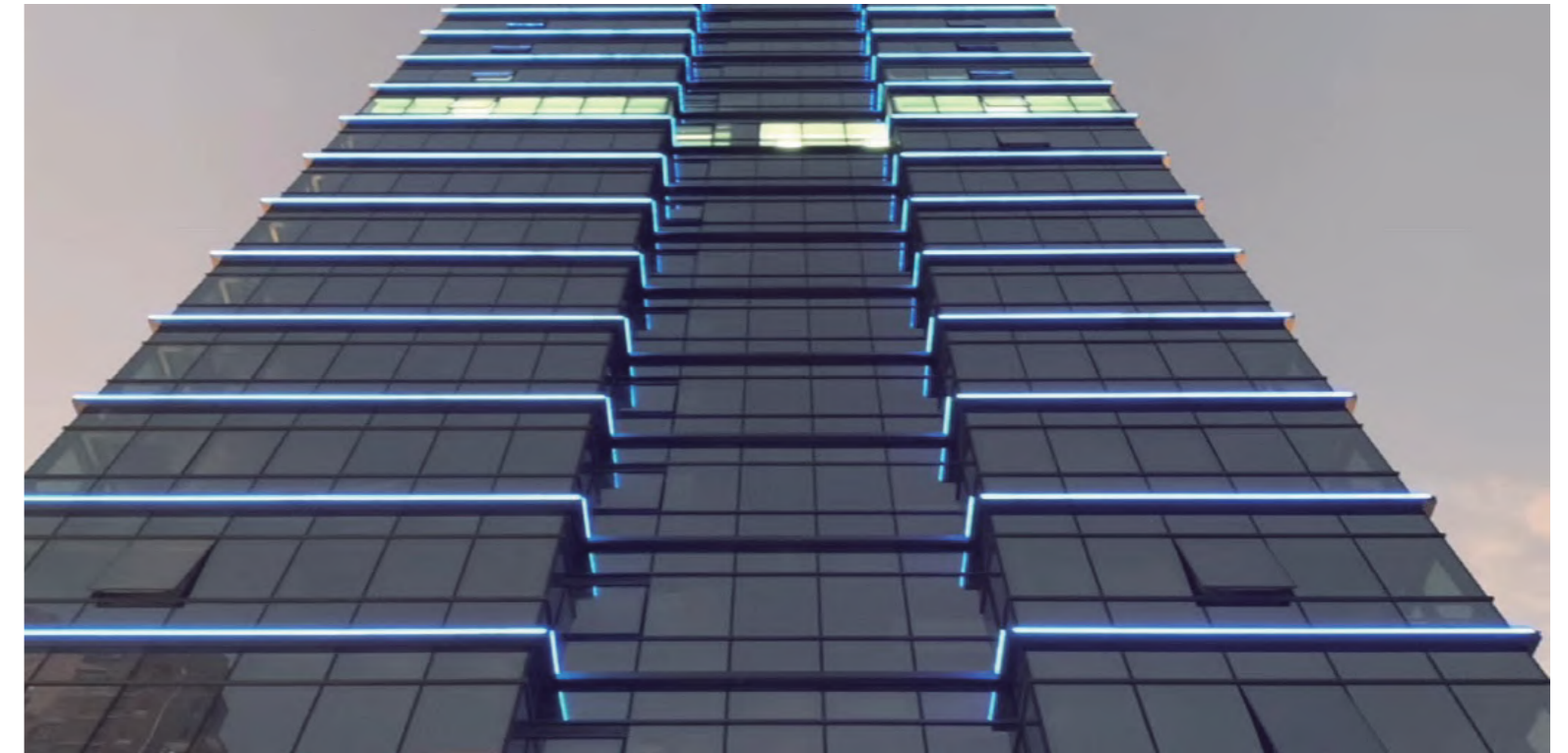


技术参数/PARAMETERS

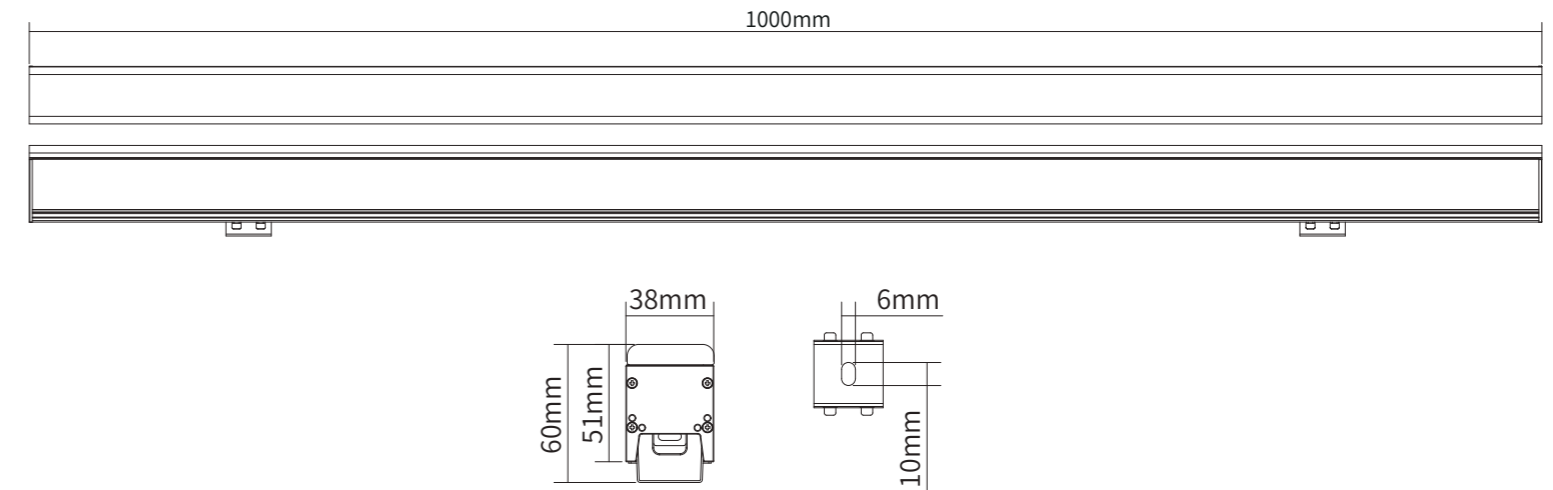
灯体材质: 6063航空铝灯体	Housing material: 6063 aviation aluminum
高透光率实心抗UV老化亚克力面罩	High transmittance solid anti-UV aging acrylic cover
压铸铝堵头	Die-cast aluminum end-cap
304不锈钢冲压支架	304 stainless steel stamping bracket
表面处理: 表面金属粉漆质感喷涂	Surface Finish: Electrostatically applied polyester powder coat
安 装: 可调角度范围:不可调角度	Installation: Non-adjustable brackets
灯具禁止安装在低洼积水处	Luminaires are not allowed to be installed in low-lying water
线 材: ON/OFF/0-10V、DALI:100mm两芯1mm ² 电源防水接头线	Cable: ON/OFF/0-10V/ DALI: 100mm two-core 1mm ² (Power cable)
DMX512:100mm五芯2*1+3*0.3mm ² 电源+信号防水接头线	DMX512:100mm five-core 2*1+3*0.3mm ² (Power and signal in a cable)

产品特性/FEATURES&BENEFITS

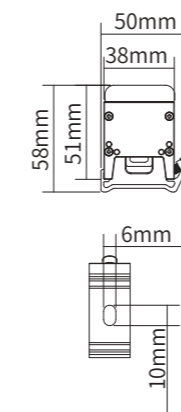
设计简约流畅,无缝对接,无暗区,出光一致性强	Sustainable design, seamless docking, no dark area, excellent light consistency
出光均匀柔和细腻,不眩光,提供良好的视觉舒适度	Wide spread light and uniform, soft and delicate, no glare, providing good visual comfort
支持宽电压输入方案,精密的方案设计,高效输出,响应节能战略	Wide Voltage Input: Precise electronic scheme, powerful reach and energy-saving
支持多种数据传输协议DMX512,0-10V,DALI,DMX512-RDM	Support a variety of data transmission protocols :DMX512,0-10V,DALI,DMX512-RDM
多位处理技术:支持多通道模式,频闪,CCT色温调节,总调光,RGBW/A/L模式,CMY模式,调光模式等多功能选项	Multibit Processing technique:Support multi-channel mode, stroboscopic, CCT color temperature adjustment,RGBW/A/L mode, CMY mode and other multi-functional options
选配过压/过流监测保护,温度监测管理,白平衡管理,多色单通道高光效管理,CCT/DUV/高亮/高显色温管理,色彩灰阶校正管理	Optional overvoltage/overcurrent monitoring protection, temperature monitoring management, white balance management, multi-color single pass high light efficiency management, CCT/DUV/ high brightness/high color temperature management, color gray level correction management



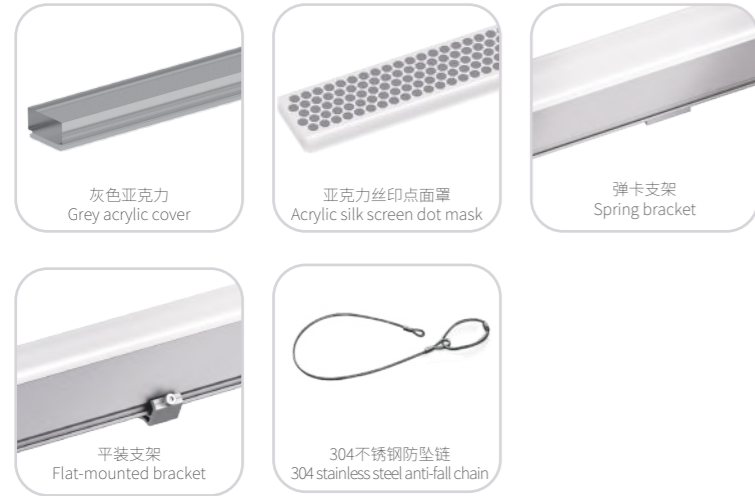
尺寸/DIMENSIONS



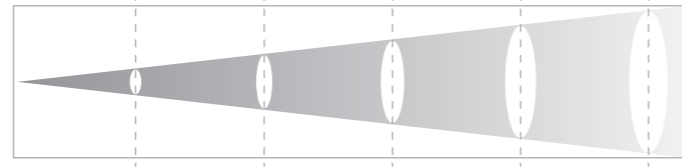
其他尺寸/OTHER DIMENSIONS



EVO 配件/EVO ACCESSORIES



光学数据/OPTICAL DATA



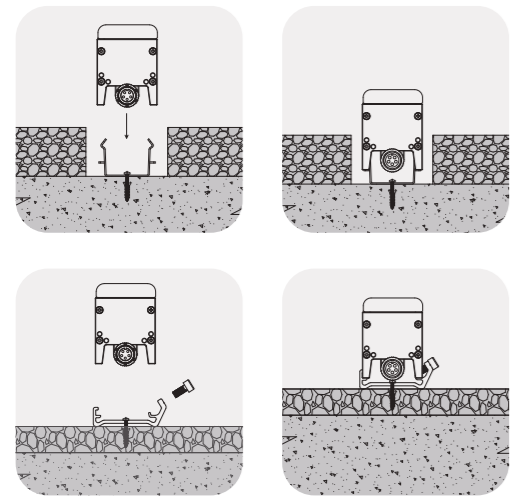
功率/Power 15W

距离m	0.5	1	1.5	2	2.5
120° 照度LUX	473.1	118.2	52.5	29.5	18.9
光圈直径m	2.4	4.8	7.3	9.7	12.1

型号信息/MODEL INFORMATION

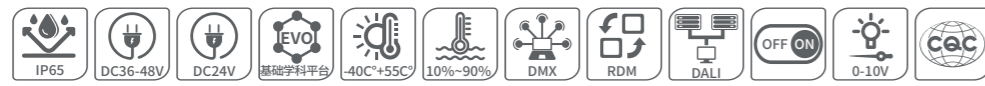
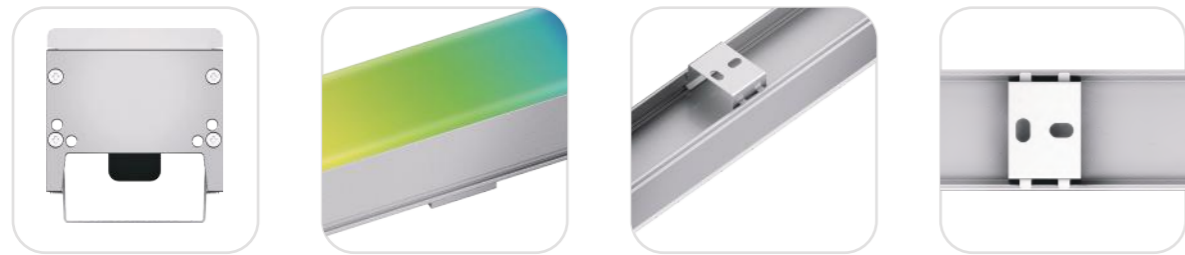
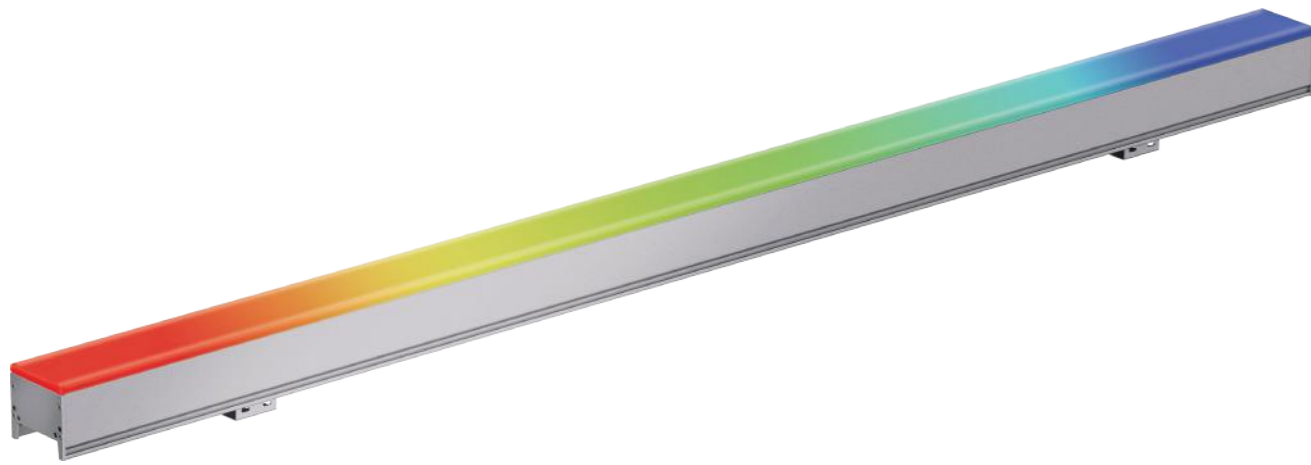
产品型号 Model	长度 Length	功率 Power	电压 Voltage	色温 Color Temperature	角度 Beam Angles	控制协议 Control	芯片品牌 Chips Brand
KMXT-HY3.0-PZ-60A/B/C/D10	L1000mm	15W	DC24V DC36-48V	1800K-6500K	120°	ON/OFF DMX512★★★ 0-10V DALI	CREE OSRAM EPISTAR LUMILEDS SANAN
KMXT-HY3.0-PZ-30A/B/C/D5	L500mm	7.5W		1800K-3000K+4000K-6500K RGB RGBW			
KMXT-HY3.0-PZ-18A/B/C/D3	L300mm	4W					

安装示意图/INSTALLATION DIAGRAM



LED 线条灯 /LED LINEAR LUMINAIRE

KMXT-HY4.0
幻影 4.0



技术参数/PARAMETERS

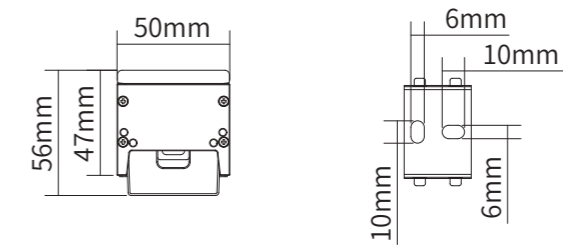
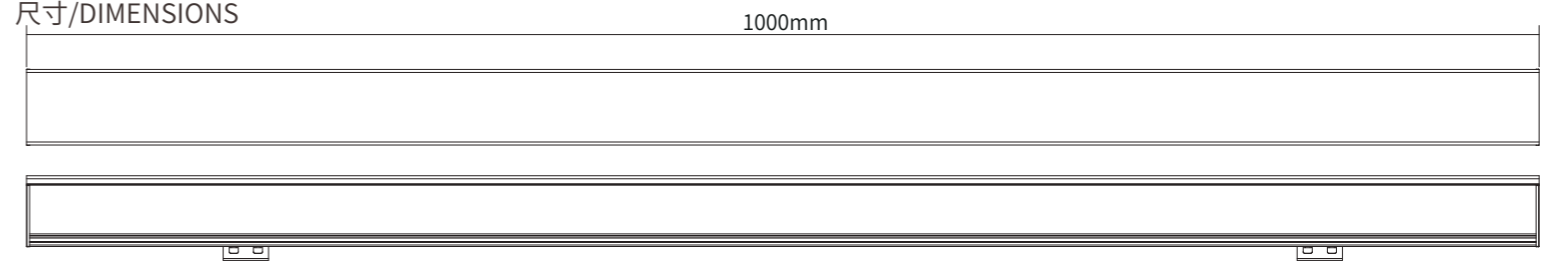
灯体材质: 6063航空铝灯体	Housing material: 6063 aviation aluminum
高透光率实心抗UV老化亚克力面罩	High transmittance solid anti-UV aging acrylic cover
压铸铝堵头	Die-cast aluminum end-cap
304不锈钢冲压支架	304 stainless steel stamping bracket
表面处理: 表面金属粉质感喷涂	Surface Finish: Electrostatically applied polyester powder coat
安装: 可调角度范围:不可调角度	Installation: Non-adjustable brackets
灯具禁止安装在低洼积水处	Luminaires are not allowed to be installed in low-lying water
线材: ON/OFF、0-10V、DALI:100mm两芯1mm²电源防水接头线	Cable: ON/OFF/ 0-10V/ DALI: 100mm two-core 1mm² (Power cable)
DMX512:100mm五芯2*1+3*0.3mm²电源+信号防水接头线	DMX512:100mm five-core 2*1+3*0.3mm² (Power and signal in a cable)

产品特性/FEATURES&BENEFITS

设计简约流畅,无缝对接,无暗区,出光一致性强	Sustainable design, seamless docking, no dark area, excellent light consistency
出光均匀柔和细腻,不眩光,提供良好的视觉舒适度	Wide spread light and uniform, soft and delicate, no glare, providing good visual comfort
支持宽电压输入方案,精密的方案设计,高效输出,响应节能战略	Wide Voltage Input: Precise electronic scheme, powerful reach and energy-saving
支持多种数据传输协议DMX512,0-10V,DALI,DMX512-RDM	Support a variety of data transmission protocols:DMX512,0-10V,DALI,DMX512-RDM
多位处理技术:支持多通道模式,频闪,CCT色温调节,总调光,RGBW/A/L模式,CMY模式,调光模式等多功能选项	Multibit Processing technique:Support multi-channel mode, stroboscopic, CCT color temperature adjustment,RGBW/A/L mode, CMY mode and other multi-functional options
选配过压/过流监测保护,温度监测管理,白平衡管理,多色单通道高光效管理,CCT/DUV/高亮/高显色温管理,色彩灰阶校正管理	Optional overvoltage/overcurrent monitoring protection, temperature monitoring management, white balance management, multi-color single pass high light efficiency management, CCT/DUV/ high brightness/high color temperature management, color gray level correction management



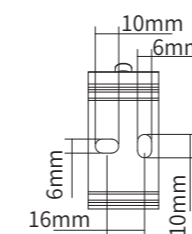
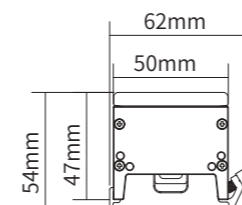
尺寸/DIMENSIONS



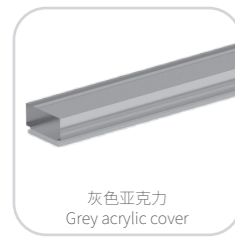
其他尺寸/OTHER DIMENSIONS



KMXT-HY4.0-PZ



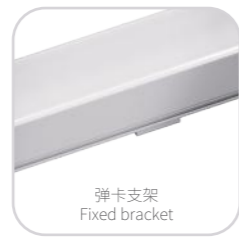
EVO 配件/EVO ACCESSORIES



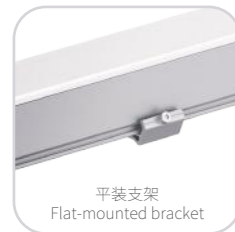
灰色亚克力
Grey acrylic cover



亚克力丝印点面罩
Acrylic silk screen dot mask



弹卡支架
Fixed bracket

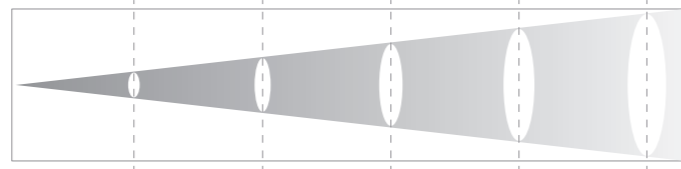


平装支架
Flat-mounted bracket



304不锈钢防坠链
304 stainless steel anti-fall chain

光学数据/OPTICAL DATA



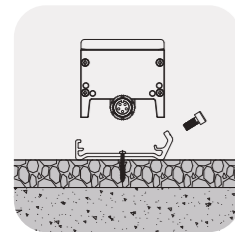
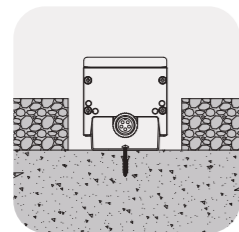
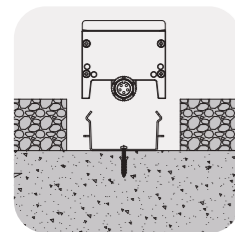
功率/Power 24W

距离 m	0.5	1	1.5	2	2.5
120° 照度 LUX	605.8	151.4	67.3	37.8	24.2
光圈直径 m	1.7	3.5	5.2	7.0	8.8

型号信息/MODEL INFORMATION

产品型号 Model	长度 Length	功率 Power	电压 Voltage	色温 Color Temperature	角度 Beam Angles	控制协议 Control	芯片品牌 Chips Brand
KMXT-HY4.0-PZ-96A/B/C8	L1000mm	24W	DC24V DC36-48V	1800K-6500K 1800K-3000K+4000K-6500K RGB	120°	ON/OFF DMX512★★★ 0-10V DALI	CREE OSRAM EPISTAR LUMILEDS SANAN
KMXT-HY4.0-PZ-48A/B/C4	L500mm	12W					
KMXT-HY4.0-PZ-24A/B/C2	L250mm	6W					
KMXT-HY4.0-PZ-96B/D8	L1000mm	30W		1800K-3000K+4000K-6500K RGBW			
KMXT-HY4.0-PZ-48B/D4	L500mm	15W					
KMXT-HY4.0-PZ-24B/D2	L250mm	7.5W					

安装示意图/INSTALLATION DIAGRAM



LED 洗墙灯系列 LED WALL WASHER SERIES

LED洗墙灯,作为一种专为建筑装饰照明设计的灯具,其独特之处在于它能够使得光线如涓涓流水般轻柔地覆盖在墙面上,营造出令人愉悦的视觉效果。

LED wall washer is a kind of lamp specially designed for architectural decorative lighting. It is unique in that it allows the light to gently cover the wall like a trickle of water, creating a pleasing visual effect.



LED洗墙灯 /LED WALL WASHER

KMXQ-XQL1.1
小青龙1.1



技术参数/PARAMETERS

灯体材质: 6063航空铝灯体	Housing material: 6063 aviation aluminum
压铸铝堵头	Die-cast aluminum end-cap
高强度压铸铝支架	High-strength die-cast aluminum bracket
防水密封硅胶垫	Waterproof silicone gasket
表面处理: 表面金属粉质感喷涂	Surface Finish: Electrostatically applied polyester powder coat
安装: 可调角度范围:垂直方向90°	Installation: Luminaires Rotation: 90°
灯具禁止安装在低洼积水处	Luminaires are not allowed to be installed in low-lying water
线材: ON/OFF 0-10V DALI: 100mm两芯1mm²电源防水接头线	Cable: ON/OFF/ 0-10V/ DALI: 100mm two-core 1mm² (Power cable)
DMX512: 100mm五芯2*1+3*0.3mm²电源+信号防水接头线	DMX512: 100mm five-core 2*1+3*0.3mm² (Power and signal in a cable)

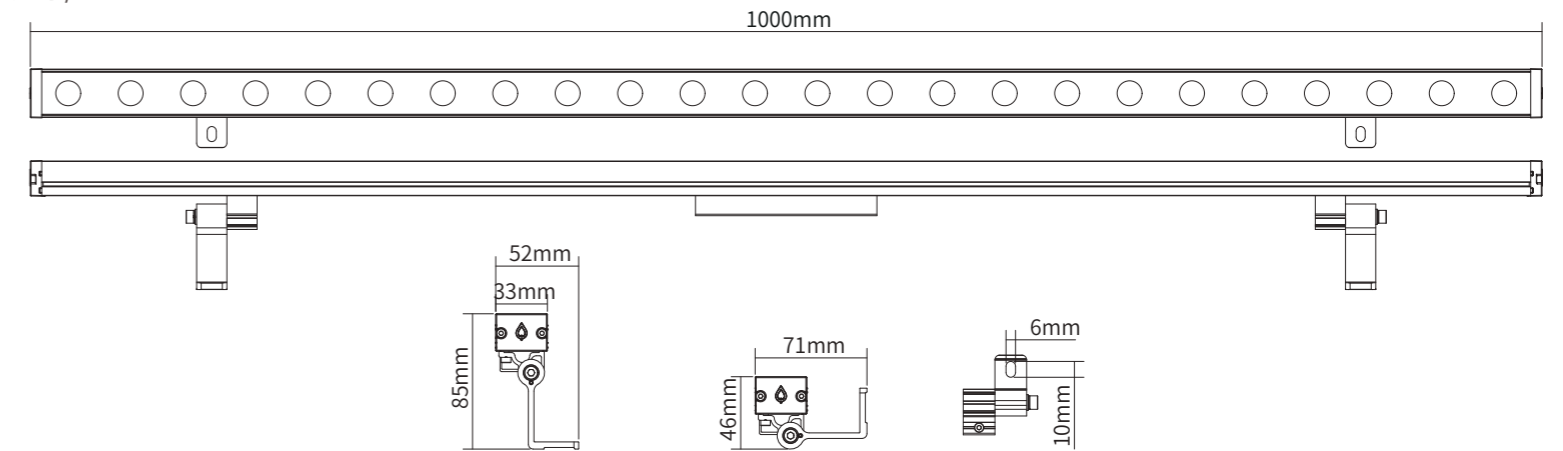
产品特性/FEATURES&BENEFITS

无尘永续设计: 结构坚固, 灯具出光面不积尘	Sustainable Design: Sturdy construction and glass surface without dust
个性化配件: 安装配件, 防眩光配件	Multi-funtional Accessories: Accessories for installation , glare control and blending into scenarios
宽电压输入方案: 精密的方案设计, 高效输出, 响应节能战略	Wide Voltage Input: Precise electronic scheme, powerful reach and energy-saving
全景解决方案: 每款产品根据不同的应用场景, 适配最专业的光学配件, 保证每处安装节点都是最合适的光	Panoramic Solution: Select the right optical accessories to put the right amount of light right where you want it

福建·泉州



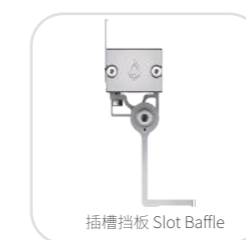
尺寸/DIMENSIONS



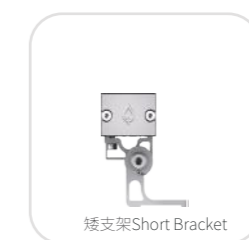
其他尺寸/OTHER DIMENSIONS



KMXQ-XQL1.1-LX-YT



KMXQ-XQL1.1-LX-CD

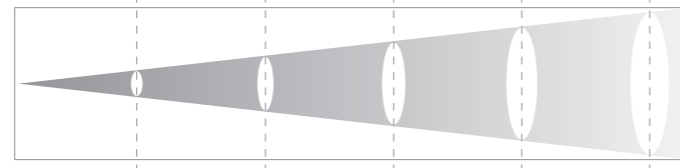


KMXQ-XQL1.1-AI

EVO 配件/EVO ACCESSORIES



光学数据/OPTICAL DATA



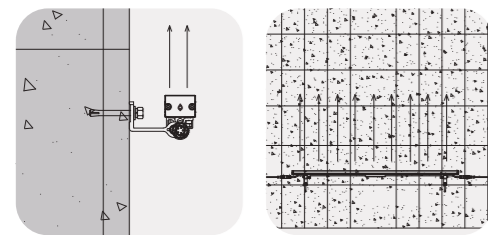
功率/Power 18W

距离m	1	2	3	4	5
15° 最大照度lux	9294.7	2323.6	1032.7	580.9	371.7
光圈直径m	0.2	0.5	0.8	1.0	1.3
距离m	1	2	3	4	5
25° 最大照度lux	7483.9	1870.9	831.5	467.7	299.3
光圈直径m	0.4	0.8	1.2	1.6	2.0
距离m	1	2	3	4	5
30° 最大照度lux	3783.3	945.8	420.3	236.4	151.3
光圈直径m	0.5	1.1	1.7	2.3	2.8
距离m	1	2	3	4	5
50° 最大照度lux	1448.3	362.0	160.9	90.5	57.9
光圈直径m	0.9	1.8	2.8	3.7	4.7
距离m	1	2	3	4	5
15°*20° 最大照度lux	7137.8	1784.4	793.1	446.1	285.5
光圈直径m	0.2	0.5	0.8	1.1	1.4
距离m	1	2	3	4	5
20°*35° 最大照度lux	3388.7	847.1	376.5	211.8	135.5
光圈直径m	0.3	0.7	1.1	1.5	1.9
距离m	1	2	3	4	5
20°*55° 最大照度lux	2799.4	699.8	311.0	174.9	111.9
光圈直径m	0.3	0.6	1.0	1.3	1.7

功率/Power 24W

距离m	1	2	3	4	5
15° 最大照度lux	10132.3	2533.0	1125.8	633.2	405.2
光圈直径m	0.2	0.5	0.8	1.0	1.3
距离m	1	2	3	4	5
25° 最大照度lux	7483.9	1870.9	831.5	467.7	299.3
光圈直径m	0.4	0.8	1.2	1.6	2.0
距离m	1	2	3	4	5
30° 最大照度lux	3783.3	945.8	420.3	236.4	151.3
光圈直径m	0.5	1.1	1.7	2.3	2.8
距离m	1	2	3	4	5
50° 最大照度lux	1577.0	394.2	175.2	98.5	63.0
光圈直径m	0.9	1.8	2.8	3.7	4.6
距离m	1	2	3	4	5
15°*20° 最大照度lux	7613.0	1903.2	845.9	475.8	304.5
光圈直径m	0.2	0.5	0.8	1.1	1.4
距离m	1	2	3	4	5
20°*35° 最大照度lux	3239.6	809.9	359.9	202.4	129.5
光圈直径m	0.4	0.7	1.1	1.5	1.9
距离m	1	2	3	4	5
20°*55° 最大照度lux	3114.2	778.5	346.0	194.6	124.5
光圈直径m	0.3	0.7	1.0	1.4	1.7

安装示意图/INSTALLATION DIAGRAM



型号信息/MODEL INFORMATION

产品型号 Model	长度 Length	功率 Power	电压 Voltage	色温 Color Temperature	角度 Beam Angles	控制协议 Control	芯片品牌 Chips Brand
KMXQ-XQL1.1-LX-24A4/B4	L1000mm	24W	DC24V DC36-48V	2200K-6500K 1800K-3000K+4000K-6500K	15°、25°、30°、50°、15°*20° 、20°*35°、20°*55°	ON/OFF DMX512 0-10V DALI	CREE OSRAM EPISTAR LUMILEDS SANAN
KMXQ-XQL1.1-LX-18A3/B3	L1000mm	18W					
KMXQ-XQL1.1-LX-12A4/B4	L504mm	12W					
KMXQ-XQL1.1-LX-9A3//B3	L496mm	9W					
KMXQ-XQL1.1-LX-6A2/B2	L300mm	6W					

LED洗墙灯 /LED WALL WASHER

KMXQ-XQL2.1
小青龙2.1



技术参数/PARAMETERS

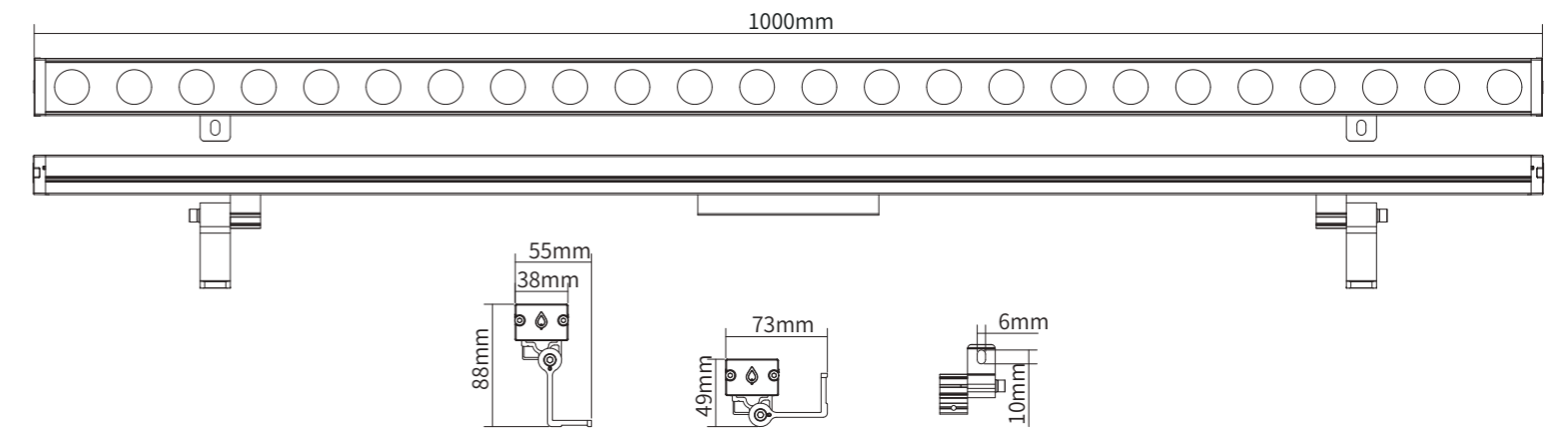
灯体材质: 6063航空铝灯体	Housing material: 6063 aviation aluminum
压铸铝堵头	Die-cast aluminum end-cap
高强度压铸铝支架	High-strength die-cast aluminum bracket
防水密封硅胶垫	Waterproof silicone gasket
表面处理: 表面金属粉质感喷涂	Surface Finish: Electrostatically applied polyester powder coat
安装: 可调角度范围:垂直方向90°	Installation: Luminaires Rotation: 90°
灯具禁止安装在低洼积水处	Luminaires are not allowed to be installed in low-lying water
线材: ON/OFF 0-10V DALI:100mm两芯1mm²电源防水接头线	Cable: ON/OFF/ 0-10V/ DALI: 100mm two-core 1mm² (Power cable)
DMX512:100mm五芯2*1+3*0.3mm²电源+信号防水接头线	DMX512:100mm five-core 2*1+3*0.3mm²(Power and signal in a cable)

产品特性/FEATURES&BENEFITS

无尘永续设计: 结构坚固, 灯具出光面不积尘	Sustainable Design: Sturdy construction and glass surface without dust
个性化配件: 安装配件, 防眩光配件	Multi-funtional Accessories: Accessories for installation, glare control and blending into scenarios
宽电压输入方案: 精密的方案设计, 高效输出, 响应节能战略	Wide Voltage Input: Precise electronic scheme, powerful reach and energy-saving
支持多种数据传输协议DMX512	Support a variety of data transmission protocol :DMX512
多位处理技术:支持亮度调节,内置亮灯模式设置,自动编码	Multi-bit processing technology: Support brightness adjustment, built-in lighting mode setting, automatic coding
选配过压/过流监测保护,温度监测管理,白平衡管理,色彩灰阶校正管理	Optional overvoltage/overcurrent monitoring protection,thermal management and color temperature management,colorgray level correction management.



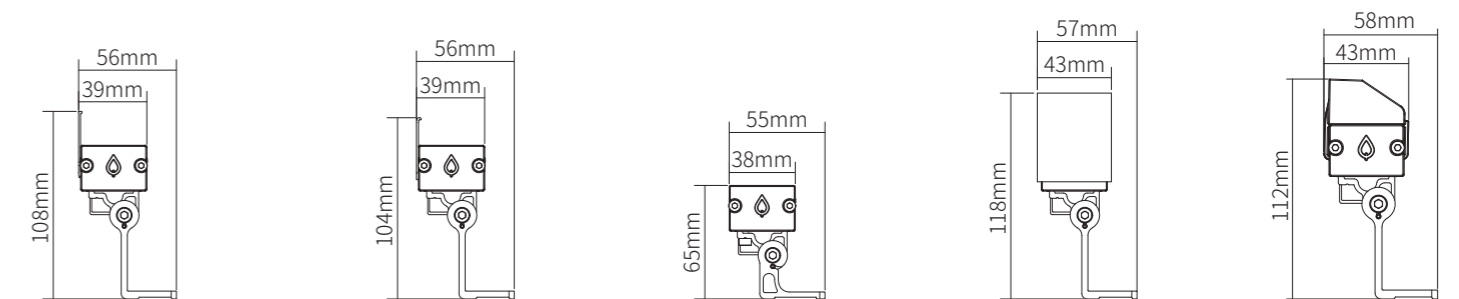
尺寸/DIMENSIONS



其他尺寸/OTHER DIMENSIONS



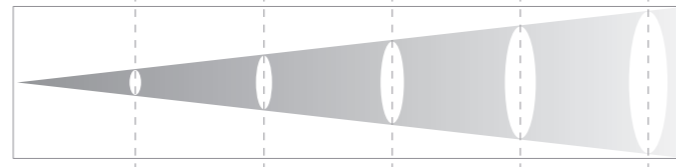
KMXQ-XQL2.1-LX-CD KMXQ-XQL2.1-LX-LD KMXQ-XQL2.1-AI KMXQ-XQL2.1-LX-ZW KMXQ-XQL2.1-LX-PG



EVO 配件/EVO ACCESSORIES



光学数据/OPTICAL DATA



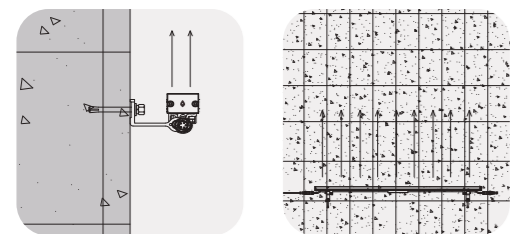
功率/Power 36W

距离m	1	2	3	4	5
10° 最大照度 lux	21593.6	5398.4	2399.2	1349.6	863.7
光圈直径m	0.2	0.4	0.6	0.9	1.1
25° 最大照度 lux	7339.7	1834.9	815.5	458.7	293.5
光圈直径m	0.4	0.9	1.4	1.9	2.4
45° 最大照度 lux	3859.9	964.9	428.8	241.2	154.4
光圈直径m	0.8	1.7	2.5	3.4	4.2
60° 最大照度 lux	2392.9	598.2	265.8	149.5	95.7
光圈直径m	1.2	2.4	3.6	4.8	6.1
10°*25° 最大照度 lux	17168.1	4292.0	1907.5	1073.0	686.7
光圈直径m	0.2	0.4	0.6	0.9	1.1
15°*30° 最大照度 lux	10259.9	2564.9	1140.0	641.2	410.4
光圈直径	0.3	0.6	0.9	1.2	1.5
15°*55° 最大照度 lux	5318.5	1329.6	590.9	332.4	212.7
光圈直径	0.3	0.6	0.9	1.2	1.5
20°*35° 最大照度 lux	6748.8	1687.2	749.8	421.8	269.9
光圈直径m	0.3	0.7	1.1	1.4	1.8

型号信息/MODEL INFORMATION

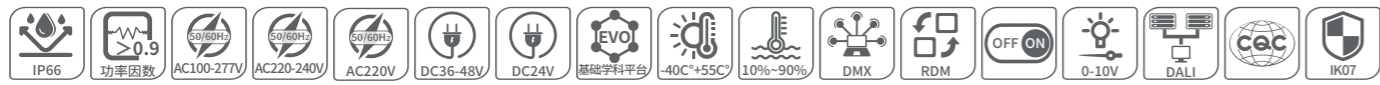
产品型号 Model	长度 Length	功率 Power	电压 Voltage	色温 Color Temperature	角度 Beam Angles	控制协议 Control	芯片品牌 Chips Brand
KMXQ -XQL2.1 -LX-36A	L1000mm	36W	DC24V DC36 -48V	2200K -6500K	10°、25°、45°、60°、10°25°、 15°30°、15°55°、20°35	ON/OFF 0-10V DALI	CREE OSRAM EPISTAR LUMILEDS SANAN
KMXQ -XQL2.1 -LX-18A	L510mm	18W					
KMXQ -XQL2.1 -LX-9A	L265mm	9W					
KMXQ -XQL2.1 -LX-24A/B8	L1000mm	24W/36W		2200K -6500K 1800K-3000K+4000K-6500K	10°、25°、45°、60°、10°25°、 15°30°、15°55°、20°35	ON/OFF DMX512★ 0-10V DALI	
KMXQ -XQL2.1 -LX-18A/B6	L1000mm	18W/27W					
KMXQ -XQL2.1 -LX-12A/B4	L506mm	12W/24W					
KMXQ -XQL2.1 -LX-9A/B3	L498mm	9W/13.5W					
KMXQ -XQL2.1 -LX-6A/B2	L300mm	6W/9W					
KMXQ -XQL2.1 -LX-24C4	L1000mm	24W/36W					
KMXQ -XQL2.1 -LX-18C3	L1000mm	18W/27W		RGB	15°、25°、40°、60°、15°40°	DMX512★	
KMXQ -XQL2.1 -LX-12C2	L667mm	12W/24W					
KMXQ -XQL2.1 -LX-12C2	L506mm	9W/13.5W					
KMXQ -XQL2.1 -LX-6C1	L300mm	6W/9W					
KMXQ -XQL2.1 -LX-24D4	L1000mm	24W/36W/48W					
KMXQ -XQL2.1 -LX-18D3	L1000mm	18W/27W/24W					
KMXQ -XQL2.1 -LX-12D2	L667mm	12W/24W/36W		RGBW	15°、25°、40°、60°、15°40°	DMX512★	
KMXQ -XQL2.1 -LX-12D2	L506mm	9W/13.5W/18W					
KMXQ -XQL2.1 -LX-6D1	L300mm	6W/9W/12W					

安装示意图/INSTALLATION DIAGRAM



LED洗墙灯 /LED WALL WASHER

KMXQ-BH1.0
白虎1.0



技术参数/PARAMETERS

灯体材质: 6063航空铝灯体	Housing material: 6063 aviation aluminum
压铸铝堵头	Die-cast aluminum end-cap
高强度压铸铝支架	High-strength die-cast aluminum bracket
防水密封硅胶垫	Waterproof silicone gasket
表面处理: 表面金属粉漆质感喷涂	Surface Finish: Electrostatically applied polyester powder coat
安装: 可调角度范围:垂直方向90°	Installation: Luminaires Rotation: 90°
灯具禁止安装在低洼积水处	Luminaires are not allowed to be installed in low-lying water
线材: ON/OFF/0-10V/ DALI: 100mm两芯1mm²电源防水接头线	Cable: ON/OFF/0-10V/ DALI: 100mm two-core 1mm² (Power cable)
DMX512: 100mm五芯2*1+3*0.3mm²电源+信号防水接头线	DMX512: 100mm five-core 2*1+3*0.3mm² (Power and signal in a cable)

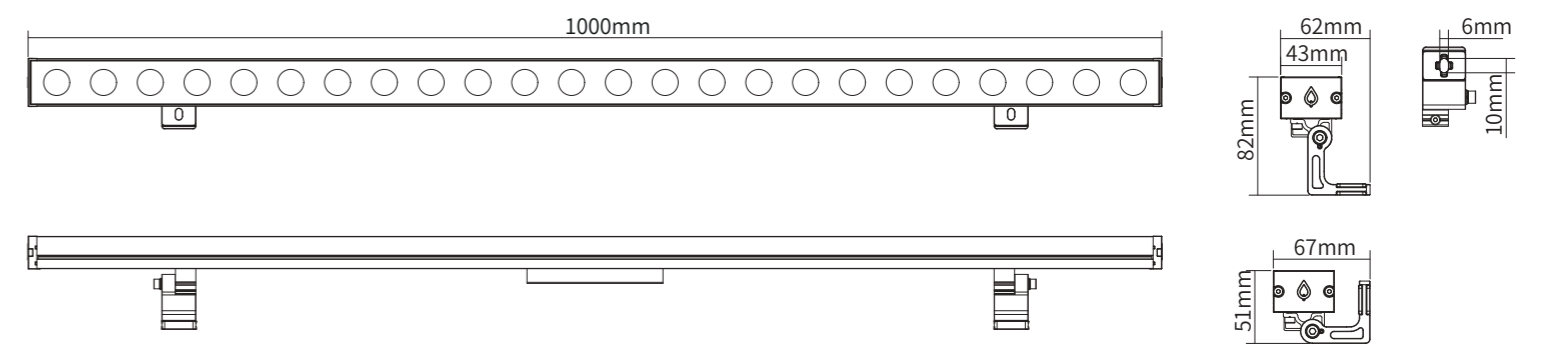
产品特性/FEATURES&BENEFITS

多位处理技术:支持多通道模式,频闪,CCT色温调节,总调光,RGBW/A/L模式,CMY模式,调光模式等多功能选项	Multibit Processing technique: Support multi-channel mode, stroboscopic, CCT color temperature adjustment, RGBW/A/L mode, CMY mode and other multi-functional options
个性化配件: 安装配件,防眩光配件	Multi-functional Accessories: Accessories for installation, glare control and blending into scenarios
宽电压输入方案:精密的方案设计,高效输出,响应节能战略	Wide Voltage Input: Precise electronic scheme, powerful reach and energy-saving
全色域管理:RGB,RGBW/A/L/C/CLA全色域控制管理,最高七色域管理	Full Gamut Management: RGB,RGBW/A/L/C/CLA gamut control management, up to seven colors management
选配过压/过流监测保护,温度监测管理,白平衡管理,多色单通道高光效管理,CCT/DUV/高亮/高显色温管理,色彩灰阶校正管理	Optional overvoltage/overcurrent monitoring protection, temperature monitoring management, white balance management, multi-color single pass high light efficiency management, CCT/DUV/ high brightness/high color temperature management, color gray level correction management

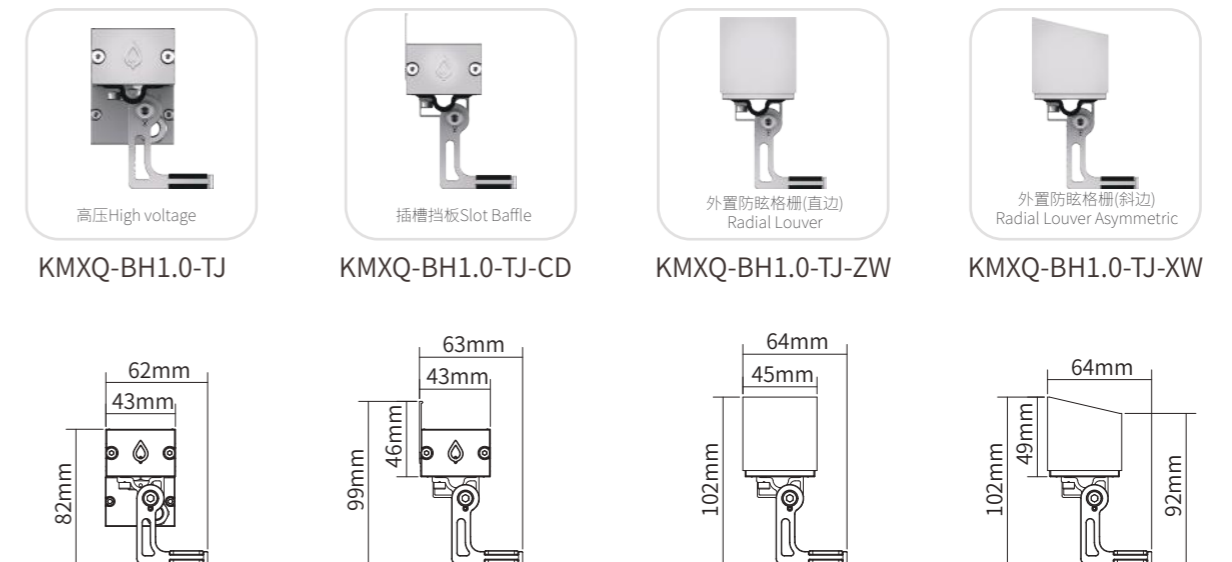


江西·吉安

灯具尺寸/DIMENSIONS



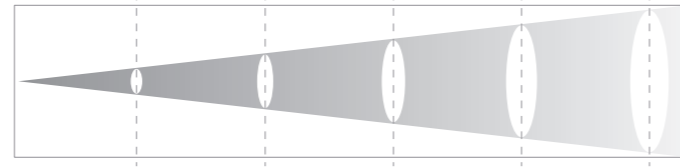
其他尺寸/OTHER DIMENSIONS



EVO 配件/EVO ACCESSORIES



光学数据/OPTICAL DATA



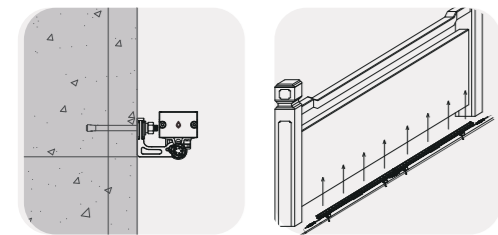
功率/Power 48W

距离 m	1	2	3	4	5
8° 最大照度 lux	86759.3	21689.8	9639.9	5422.4	3470.3
光圈直径 m	0.1	0.3	0.4	0.6	0.8
距离 m	1	2	3	4	5
10° 最大照度 lux	47132.1	11783.0	5236.9	2945.7	1885.2
光圈直径 m	0.2	0.4	0.6	0.8	1.0
距离 m	1	2	3	4	5
13° 最大照度 lux	35356.7	8839.1	3928.5	2209.7	1414.2
光圈直径 m	0.2	0.4	0.6	0.8	1.0
距离 m	1	2	3	4	5
20° 最大照度 lux	15963.8	3990.9	1773.7	997.7	638.5
光圈直径 m	0.3	0.7	1.1	1.5	1.9
距离 m	1	2	3	4	5
40° 最大照度 lux	5703.1	1425.7	633.6	356.4	228.1
光圈直径 m	0.7	1.4	2.2	2.9	3.7
距离 m	1	2	3	4	5
45° 最大照度 lux	5607.4	1401.8	623.0	350.4	224.3
光圈直径 m	0.8	1.6	2.5	3.3	4.1
距离 m	1	2	3	4	5
10°25° 最大照度 lux	23884.3	5971.0	2653.8	1492.7	955.3
光圈直径 m	0.1	0.3	0.5	0.7	0.8
距离 m	1	2	3	4	5
10°40° 最大照度 lux	14267.8	3566.9	1585.3	891.7	570.7
光圈直径 m	0.2	0.4	0.6	0.8	1.0

型号信息/MODEL INFORMATION

产品型号 Model	长度 Length	功率 Power	电压 Voltage	色温 Color Temperature	角度 Beam Angles	控制协议 Control	芯片品牌 Chips Brand
KMXQ-BH1.0-TJ-24A/B4	L1000mm	48W/54W	DC24V DC36-48V AC220V	2200K-6500K 1800K-3000K+4000K-6500K	8°、10°、13°、20°、40°、 45°、10°25°、10°40°	ON/OFF DMX512★★★★ 0-10V DALI	CREE OSRAM EPISTAR LUMILEDS SANAN
KMXQ-BH1.0-TJ-12A/B2	L506mm	24W/27W					
KMXQ-BH1.0-TJ-6A/B1	L300mm	12W/13.5W					
KMXQ-BH1.0-TJ-24C4	L1000mm	48W/54W		RGB	15°、25°、40°、60°、 15°40°	DMX512★★★★	
KMXQ-BH1.0-TJ-12C2	L506mm	24W/27W					
KMXQ-BH1.0-TJ-6C1	L300mm	12W/13.5W					
KMXQ-BH1.0-TJ-24D4	L1000mm	24W/36W/48W/72W		RGBW	15°、25°、40°、60°、 15°40°	DMX512★★★★	
KMXQ-BH1.0-TJ-12D2	L506mm	9W/13.5W/18W/36W					
KMXQ-BH1.0-TJ-6D1	L300mm	6W/9W/12W/18W					

安装示意图/INSTALLATION DIAGRAM

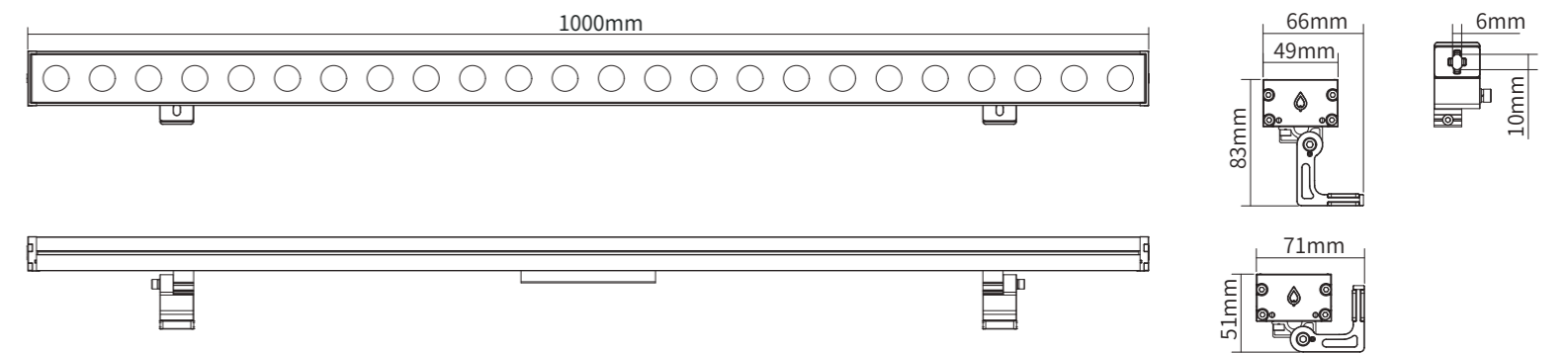


LED洗墙灯 /LED WALL WASHER

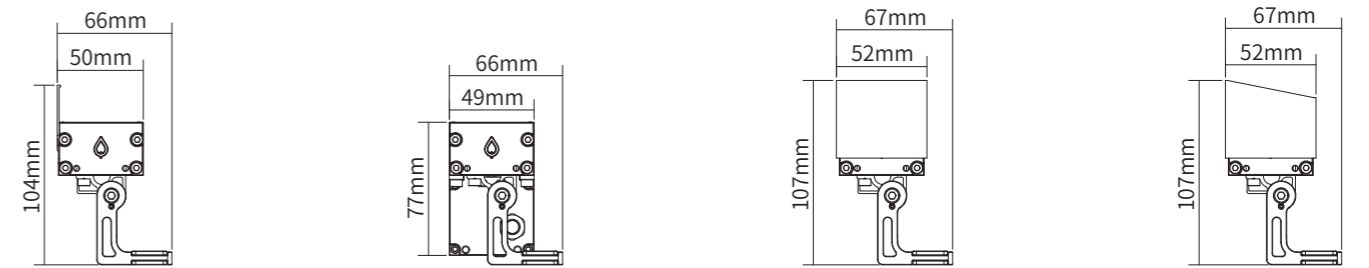
KMXQ-BH2.0
白虎2.0



灯具尺寸/DIMENSIONS



其他尺寸/OTHER DIMENSIONS



技术参数/PARAMETERS

灯体材质: 6063航空铝灯体	Housing material: 6063 aviation aluminum
压铸铝堵头	Die-cast aluminum end-cap
高强度压铸铝支架	High-strength die-cast aluminum bracket
防水密封硅胶垫	Waterproof silicone gasket
表面处理: 表面金属粉质感喷涂	Surface Finish: Electrostatically applied polyester powder coat
安装: 可调角度范围:垂直方向90°	Installation: Luminaires Rotation: 90°
灯具禁止安装在低洼积水处	Luminaires are not allowed to be installed in low-lying water
线材: ON/OFF 0-10V DALI: 100mm两芯1mm²电源防水接头线	Cable: ON/OFF/ 0-10V/ DALI: 100mm two-core 1mm² (Power cable)
DDMX512: 100mm五芯2*1+3*0.3mm²电源+信号防水接头线	DDMX512: 100mm five-core 2*1+3*0.3mm²(Power and signal in a cable)

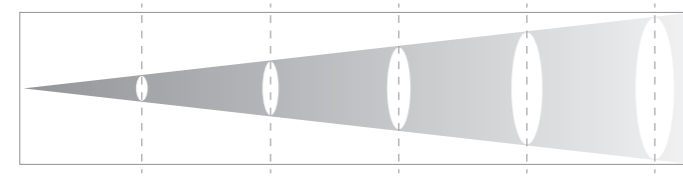
产品特性/FEATURES&BENEFITS

多位处理技术: 支持多通道模式, 频闪, CCT色温调节, 总调光, RGBW/A/L模式, CMY模式, 调光模式等多功能选项	Multibit Processing technique: Support multi-channel mode, stroboscopic, CCT color temperature adjustment, RGBW/A/L mode, CMY mode and other multi-functional options
个性化配件: 安装配件, 防眩光配件	Multi-functional Accessories: Accessories for installation, glare control and blending into scenarios
宽电压输入方案: 精密的方案设计, 高效输出, 响应节能战略	Wide Voltage Input: Precise electronic scheme, powerful reach and energy-saving
全色域管理: RGB, RGBW/A/L/C/CLA全色域控制管理, 最高七色域管理	Full Gamut Management: RGB, RGBW/A/L/C/CLA gamut control management, up to seven colors management
选配过压/过流监测保护, 温度监测管理, 白平衡管理, 多色单通道高光效管理, CCT/DUV/高亮/高显色温管理, 色彩阶校正管理	Optional overvoltage/overcurrent monitoring protection, temperature monitoring management, white balance management, multi-color single pass high light efficiency management, CCT/DUV/ high brightness/high color temperature management, color gray level correction management

EVO 配件/EVO ACCESSORIES



光学数据/OPTICAL DATA



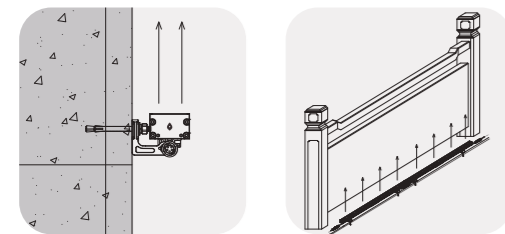
功率/Power 72W

距离 m	1	4	6	8	10
8° 最大照度 LUX	111907.3	6994.2	3108.5	1748.5	1119.0
光圈直径 m	0.1	0.6	0.9	1.2	1.5
10° 最大照度 LUX	61555.4	3847.2	1709.8	961.8	615.5
光圈直径 m	0.2	0.8	1.1	1.5	1.9
13° 最大照度 LUX	45739.9	2858.7	1270.5	714.6	457.4
光圈直径 m	0.2	0.8	1.2	1.6	2.0
20° 最大照度 LUX	20424.1	1276.5	567.3	319.1	204.2
光圈直径 m	0.3	1.5	2.3	3.1	3.8
40° 最大照度 LUX	7678.9	479.9	213.3	119.9	76.7
光圈直径 m	0.7	2.8	4.2	5.6	7.0
45° 最大照度 LUX	7124.3	445.2	197.9	111.3	71.2
光圈直径 m	0.8	3.3	5.0	6.7	8.3
10°25° 最大照度 LUX	28916.2	1807.2	803.2	451.8	289.1
光圈直径 m	0.1	0.7	1.1	1.5	1.9
10°40° 最大照度 LUX	17922.5	1120.1	497.8	280.0	179.2
光圈直径 m	0.2	0.8	1.2	1.6	2.0

型号信息/MODEL INFORMATION

产品型号 Model	长度 Length	功率 Power	电压 Voltage	色温 Color Temperature	角度 Beam Angles	控制协议 Control	芯片品牌 Chips Brand
KMXQ-BH2.0-TJ-24A/B4	L1000mm	72W	DC24V DC36-48V AC220V	2200K-6500K 1800K-3000K+4000K-6500K	8°、10°、13°、20°、40°、45°、 10°25°、10°40°	ON/OFF DMX512★★★★ 0-10V DALI	CREE OSRAM EPISTAR LUMILEDS SANAN
KMXQ-BH2.0-TJ-12A/B2	L506mm	36W					
KMXQ-BH2.0-TJ-6A/B1	L300mm	18W					
KMXQ-BH2.0-TJ-24C4	L1000mm	72W		RGB	15°、25°、40°、60°、15°40°	DMX512★★★★	
KMXQ-BH2.0-TJ-12C2	L506mm	36W					
KMXQ-BH2.0-TJ-6C1	L300mm	18W					
KMXQ-BH2.0-TJ-24D4	L1000mm	48W/72W/96W		RGBW	15°、25°、40°、60°、15°40°	DMX512★★★★	
KMXQ-BH2.0-TJ-12D2	L506mm	18W/36W/48W					
KMXQ-BH2.0-TJ-6D1	L300mm	12W/18W/24W					

安装示意图/INSTALLATION DIAGRAM



LED洗墙灯 /LED WALL WASHER

KMXQ-BH3.0
白虎3.0



技术参数/PARAMETERS

灯体材质: 6063航空铝灯体	Housing material: 6063 aviation aluminum
压铸铝堵头	Die-cast aluminum end-cap
高强度压铸铝支架	High-strength die-cast aluminum bracket
防水密封硅胶垫	Waterproof silicone gasket
表面处理: 表面金属粉质感喷涂	Surface Finish: Electrostatically applied polyester powder coat
安装: 可调角度范围:垂直方向90°	Installation: Luminaires Rotation: 90°
灯具禁止安装在低洼积水处	Luminaires are not allowed to be installed in low-lying water
线材: ON/OFF 0-10V DALI:100mm两芯1mm²电源防水接头线	Cable: ON/OFF/ 0-10V/ DALI: 100mm two-core 1mm² (Power cable)
DMX512:100mm五芯2*1+3*0.3mm²电源+信号防水接头线	DMX512:100mm five-core 2*1+3*0.3mm² (Power and signal in a cable)

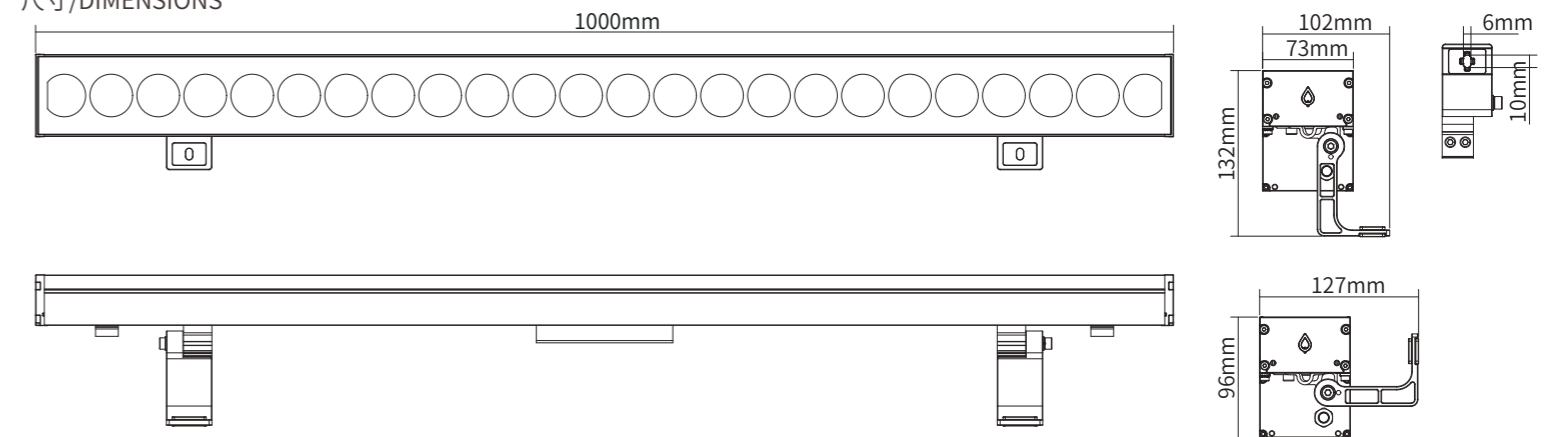
产品特性/FEATURES&BENEFITS

多位处理技术:支持多通道模式, 频闪, CCT色温调节, 总调光, RGBW/A/L模式, CMY模式, 调光模式等多功能选项	Multi-bit Processing technique: Support multi-channel mode, stroboscopic, CCT color temperature adjustment, RGBW/A/L mode, CMY mode and other multi-functional options
个性化配件: 安装配件, 防眩光配件	Multi-functional Accessories: Accessories for installation, glare control and blending into scenarios
宽电压输入方案: 精密的方案设计, 高效输出, 响应节能战略	Wide Voltage Input: Precise electronic scheme, powerful reach and energy-saving
全色域管理: RGB, RGBW/A/L/C/CLA全色域控制管理, 最高七色域管理	Full Gamut Management: RGB, RGBW/A/L/C/CLA gamut control management, up to seven colors management
选配过压/过流监测保护, 温度监测管理, 白平衡管理, 多色单通道高光效管理, CCT/DUV/高亮/高显色温管理, 色彩灰阶校正管理	Optional overvoltage/overcurrent monitoring protection, temperature monitoring management, white balance management, multi-color single pass high light efficiency management, CCT/DUV/ high brightness/high color temperature management, color gray level correction management

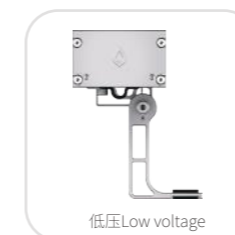


江西·望仙谷

尺寸/DIMENSIONS



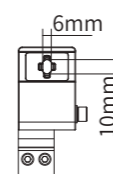
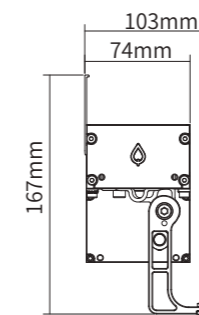
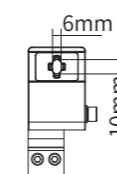
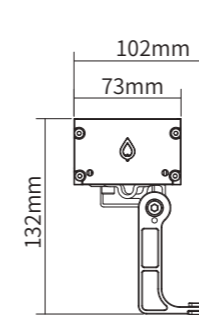
其他尺寸/OTHER DIMENSIONS



KMXQ-BH3.0-TJ



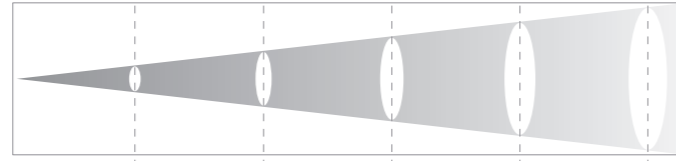
KMXQ-BH3.0-TJ-LD



EVO 配件/EVO ACCESSORIES



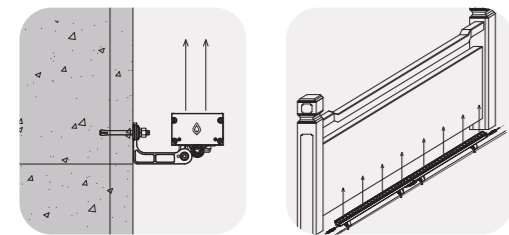
光学数据/OPTICAL DATA



功率/Power 96W

距离 m	1	5	10	15	20
8° 最大照度 LUX	190601.8	7624.0	1906.0	847.1	476.5
光圆直径 m	0.1	0.7	1.5	2.2	3.0
10° 最大照度 LUX	91637.7	3665.5	916.3	407.2	229.0
光圆直径 m	0.2	1.0	2.0	3.0	4.0
13° 最大照度 LUX	70436.2	2817.4	704.3	313.0	176.0
光圆直径 m	0.2	1.0	2.0	3.1	4.1
20° 最大照度 LUX	32854.9	1314.2	328.5	513.3	328.5
光圆直径 m	0.3	1.9	3.8	3.0	3.8
40° 最大照度 LUX	12639.4	505.5	126.3	197.4	126.3
光圆直径 m	0.6	3.3	6.6	5.3	6.6
45° 最大照度 LUX	11267.7	450.7	112.6	176.0	112.6
光圆直径 m	0.8	4.0	8.0	6.4	8.0
10°25° 最大照度 LUX	44799.2	1791.9	447.9	699.9	447.9
光圆直径 m	0.1	0.9	1.8	1.4	1.8
10°40° 最大照度 LUX	26706.2	1068.2	267.0	417.2	267.0
光圆直径 m	0.2	1.0	2.0	1.6	2.0

安装示意图/INSTALLATION DIAGRAM



型号信息/MODEL INFORMATION

产品型号 Model	长度 Length	功率 Power	电压 Voltage	色温 Color Temperature	角度 Beam Angles	控制协议 Control	芯片品牌 Chips Brand
KMXQ-BH3.0-TJ-24A/B6	L1000mm	96W	DC24V	2200K-6500K 1800K-3000K+4000K-6500K	8°、10°、13°、20°、40°、 45°、10°25°、10°40°	ON/OFF DMX512★★★ 0-10V DALI	CREE OSRAM EPISTAR LUMILEDS SANAN
KMXQ-BH3.0-TJ-12A/B3	L510mm	48W	AC220V				
KMXQ-BH3.0-TJ-6A/B2	L346mm	32W	DC24V				
KMXQ-BH3.0-TJ-24A4	L1000mm	72W/96W	DC24V	2200K-6500K	8°、10°、13°、20°、40°、 45°、10°25°、10°40°		
KMXQ-BH3.0-TJ-12A2	L506mm	36W/48W	AC220V				
KMXQ-BH3.0-TJ-6A1	L300mm	12W/18W	DC24V				
KMXQ-BH3.0-TJ-24B4	L1000mm	72W/96W	DC24V	1800K-3000K+4000K-6500K	8°、15°、25°、40°、60°、 15°30°		
KMXQ-BH3.0-TJ-12B2	L506mm	36W/48W	AC220V				
KMXQ-BH3.0-TJ-6B1	L300mm	12W/18W	DC24V				
KMXQ-BH3.0-TJ-24C6	L1000mm	96W	DC24V	RGB	8°、15°、25°、40°、60°、 15°30°		
KMXQ-BH3.0-TJ-12C3	L510mm	48W	AC220V				
KMXQ-BH3.0-TJ-6C2	L346mm	24W	DC24V				
KMXQ-BH3.0-TJ-24D4	L1000mm	72W/96W/150W	DC24V	RGBW	15°、25°、40°、60°、15°40°		
KMXQ-BH3.0-TJ-12D2	L510mm	36W/48W/72W	AC220V				
KMXQ-BH3.0-TJ-6D1	L346mm	12W/18W/24W	DC24V				
KMXQ-BH3.0-TJ-18B/C/D6	L1000mm	72W/96W	DC24V	1800K-3000K+4000K-6500K RGB RGBW	8°、15°、25°、40°、60°、 15°30°		
KMXQ-BH3.0-TJ-9B/C/D3	L498mm	36W/48W	AC220V				
KMXQ-BH3.0-TJ-6B/C/D2	L330mm	12W/18W	DC24V				
KMXQ-BH3.0-TJ-24B/C/D4	L1000mm	72W/96W/150W	DC24V	1800K-3000K+4000K-6500K RGB RGBW	8°、15°、25°、40°、60°、 15°30°		
KMXQ-BH3.0-TJ-12B/C/D2	L506mm	36W/48W/72W	AC220V				
KMXQ-BH3.0-TJ-6B/C/D1	L300mm	12W/18W/24W	DC24V				

LED洗墙灯 /LED WALL WASHER

KMXQ-BH4.0
白虎4.0



技术参数/PARAMETERS

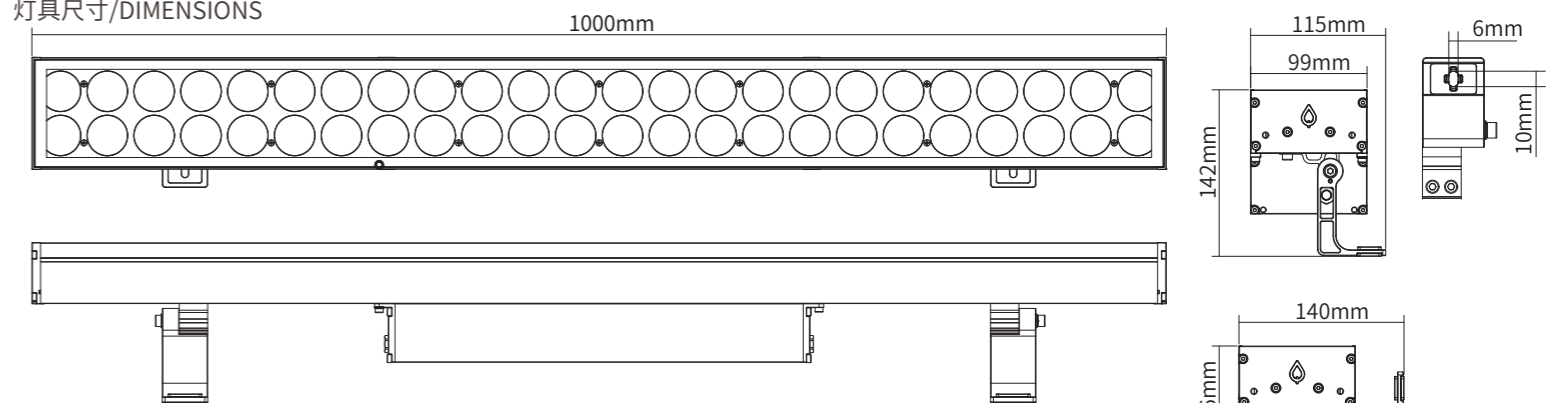
灯体材质: 6063航空铝灯体	Housing material: 6063 aviation aluminum
压铸铝堵头	Die-cast aluminum end-cap
高强度压铸铝支架	High-strength die-cast aluminum bracket
防水密封硅胶垫	Waterproof silicone gasket
表面处理: 表面金属粉质感喷涂	Surface Finish: Electrostatically applied polyester powder coat
安装: 可调角度范围:垂直方向90°	Installation: Luminaires Rotation: 90°
灯具禁止安装在低洼积水处	Luminaires are not allowed to be installed in low-lying water
线材: ON/OFF 0-10V DALI:100mm两芯1mm²电源防水接头线	Cable: ON/OFF/ 0-10V/ DALI: 100mm two-core 1mm² (Power cable)
DDMX512:100mm五芯2*1+3*0.3mm²电源+信号防水接头线	DMX512:100mm five-core 2*1+3*0.3mm² (Power and signal in a cable)

产品特性/FEATURES&BENEFITS

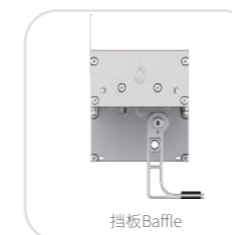
多位处理技术:支持多通道模式,频闪,CCT色温调节,总调光,RGBW/A/L模式,CMY模式,调光模式等多功能选项	Multi-bit Processing technique:Support multi-channel mode, stroboscopic, CCT color temperature adjustment,RGBW/A/L mode, CMY mode and other multi-functional options
个性化配件:安装配件,防眩光配件	Multi-functional Accessories: Accessories for installation, glare control and blending into scenarios
宽电压输入方案:精密的方案设计,高效输出,响应节能战略	Wide Voltage Input: Precise electronic scheme, powerful reach and energy-saving
全色域管理:RGB,RGBW/A/L/C/CLA全色域控制管理,最高七色域管理	Full Gamut Management: RGB,RGBW/A/L/C/CLA gamut control management, up to seven colors management
选配过压/过流监测保护,温度监测管理,白平衡管理,多色单通道高光效管理,CCT/DUV/高亮/高显色温管理,色彩灰阶校正管理	Optional overvoltage/overcurrent monitoring protection, temperature monitoring management, white balance management, multi-color single pass high light efficiency management, CCT/DUV/ high brightness/high color temperature management, color gray level correction management



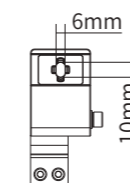
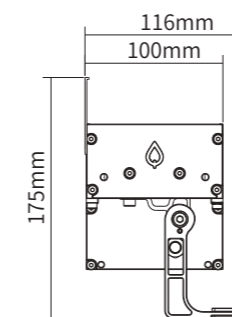
灯具尺寸/DIMENSIONS



其他尺寸/OTHER DIMENSIONS



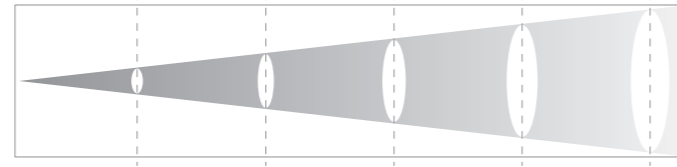
KMXQ-BH4.0-TJ-LD



EVO 配件/EVO ACCESSORIES



光学数据/OPTICAL DATA



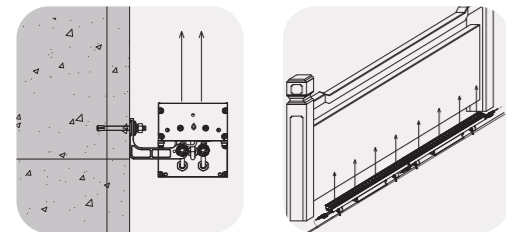
功率/Power 150W

距离 m	1	5	10	15	20
8° 最大照度 LUX	185822.3	7432.9	1858.2	825.8	464.5
光圈直径 m	0.1	0.7	1.5	2.2	3.0
距离 m	1	5	10	15	20
10° 最大照度 LUX	89595.2	3583.8	895.9	398.2	223.9
光圈直径 m	0.2	1.0	2.0	3.1	4.1
距离 m	1	5	10	15	20
13° 最大照度 LUX	71542.6	2861.7	715.4	317.9	178.8
光圈直径 m	0.2	1.0	2.0	3.0	4.0
距离 m	1	4	6	8	10
20° 最大照度 LUX	31249.6	1953.1	868.0	488.2	312.5
光圈直径 m	0.4	1.6	2.3	3.1	3.9
距离 m	1	4	6	8	10
35° 最大照度 LUX	12909.3	806.8	358.5	201.7	129.0
光圈直径 m	0.6	2.6	3.9	5.2	6.5
距离 m	1	4	6	8	10
45° 最大照度 LUX	11289.8	705.6	313.6	176.4	112.9
光圈直径 m	0.8	3.2	4.8	6.5	8.1
距离 m	1	4	6	8	10
10°25° 最大照度 LUX	46779.2	2923.7	1299.4	730.9	467.7
光圈直径 m	0.1	0.7	1.0	1.4	1.7
距离 m	1	4	6	8	10
10°40° 最大照度 LUX	27092.9	1693.3	752.5	423.3	270.9
光圈直径 m	0.2	0.8	1.2	1.6	2.0

型号信息/MODEL INFORMATION

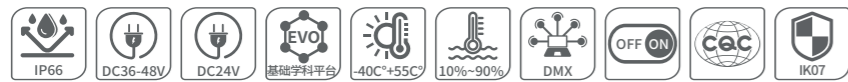
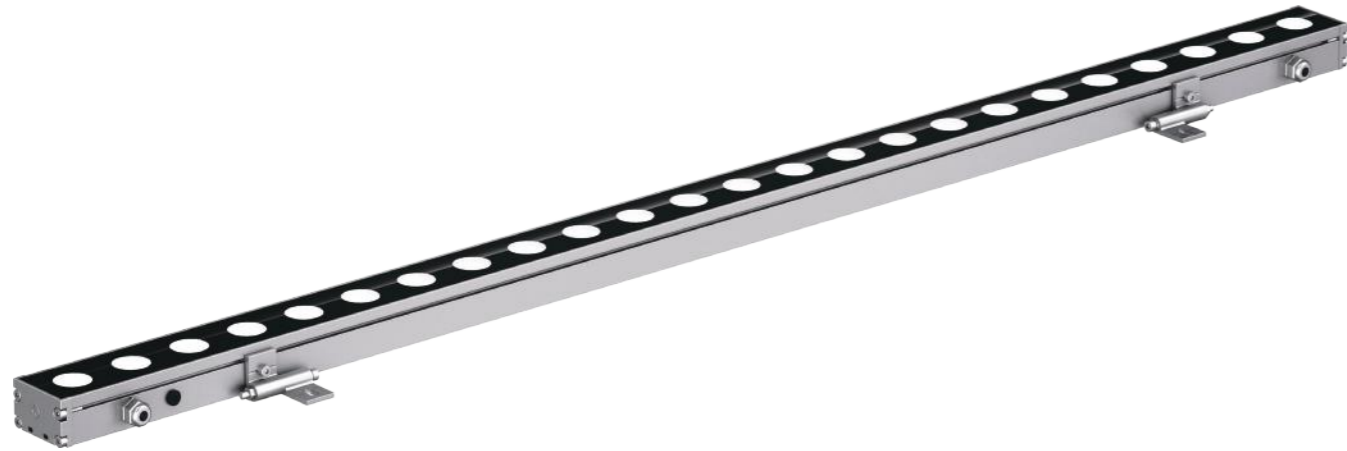
产品型号 Model	长度 Length	功率 Power	电压 Voltage	色温 Color Temperature	角度 Beam Angles	控制协议 Control	芯片品牌 Chips Brand
KMXQ-BH4.0-TJ-48A/B4	L1000mm	150W	AC220V	2200K-6500K 1800K-3000K+4000K-6500K	8°、10°、13°、20°、35°、45°、 10°25°、10°40°	ON/OFF DMX512★★★ 0-10V DALI	CREE OSRAM EPISTAR LUMILEDS SANAN
KMXQ-BH4.0-TJ-24A/B2	L506mm	75W					
KMXQ-BH4.0-TJ-48A3	L1000mm	150W		2200K-6500K	8°、10°、13°、20°、35°、45°、 10°25°、10°40°	DMX512★★★	
KMXQ-BH4.0-TJ-24A2	L506mm	75W					
KMXQ-BH4.0-TJ-48B/C4	L1000mm	150W		1800K-3000K+4000K-6500K RGB	8°、15°、25°、40°、60°、15°30°	DMX512★★★	
KMXQ-BH4.0-TJ-24B/C2	L506mm	75W					
KMXQ-BH4.0-TJ-48D	L1000mm	150W/240W		RGBW	8°、15°、25°、40°、60°、15°30°		
KMXQ-BH4.0-TJ-24D	L506mm	75W/120W					

安装示意图/INSTALLATION DIAGRAM



LED洗墙灯 /LED WALL WASHER

KMXQ-TP1.0
太平1.0



技术参数/PARAMETERS

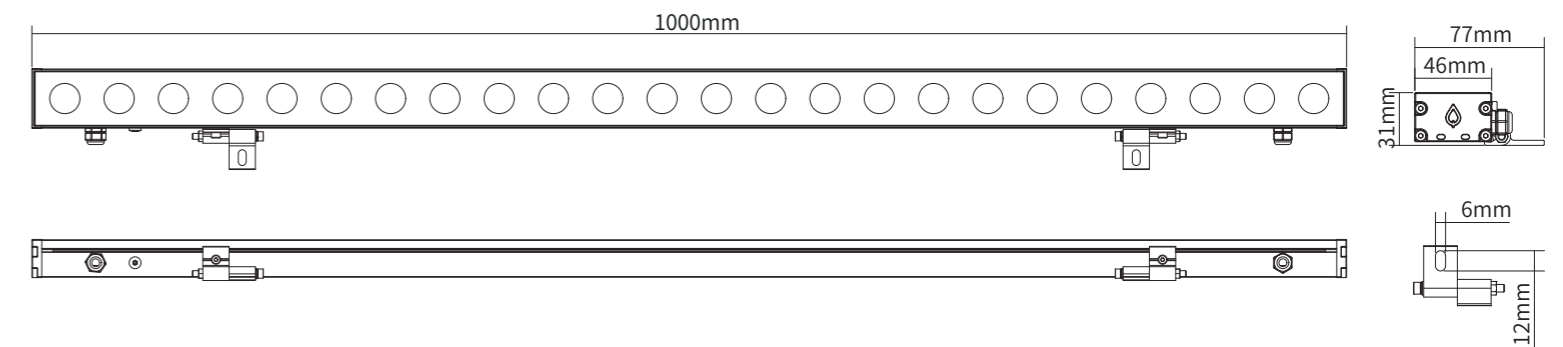
灯体材质: 6063航空铝灯体	Housing material: 6063 aviation aluminum
压铸铝堵头	Die-cast aluminum end-cap
高强度压铸铝支架	High-strength die-cast aluminum bracket
防水密封硅胶垫	Waterproof silicone gasket
表面处理: 表面金属粉质感喷涂	Surface Finish: Electrostatically applied polyester powder coat
安装: 可调角度范围:垂直方向90°	Installation: Luminaires Rotation: 90°
灯具禁止安装在低洼积水处	Luminaires are not allowed to be installed in low-lying water
线材: ON/OFF/0-10V DALI: 100mm两芯1mm²电源防水接头线	Cable: ON/OFF/0-10V/ DALI: 100mm two-core 1mm² (Power cable)
DDMX512: 100mm五芯2*1+3*0.3mm²电源+信号防水接头线	DMX512: 100mm five-core 2*1+3*0.3mm² (Power and signal in a cable)

产品特性/FEATURES&BENEFITS

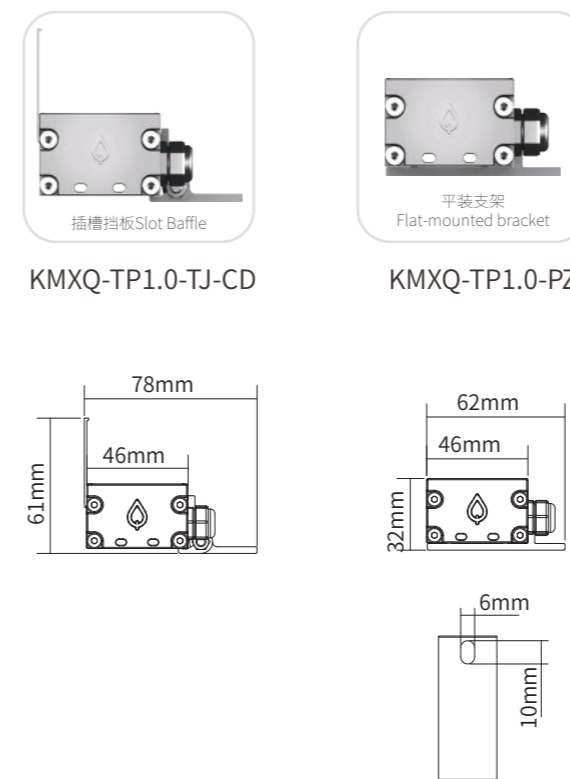
全景解决方案: 每一款产品根据不同的应用场景, 适配最专业的光学配件	Panoramic Solution: Select the right optical accessories to put the right amount of light right where you want it.
个性化配件: 安装配件, 防眩光配件	Multi-funtional Accessories: Accessories for installation, glare control and blending into scenarios.
宽电压输入, 增强传输距离; 精密的方案设计, 高效输出, 响应节能效应	Wide Voltage Input: Precise electronic scheme, powerful reach and energy-saving.
全色域管理: RGB, RGBW/A/L/C/CLA全色域控制管理, 最高七色域管理	Full Gamut Management: RGB, RGBW/A/L/C/CLA gamut control management, up to seven colors management.



灯具尺寸/DIMENSIONS



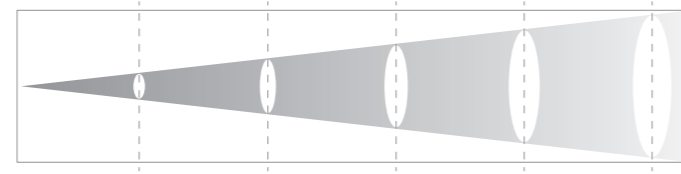
其他尺寸/OTHER DIMENSIONS



EVO 配件/EVO ACCESSORIES



光学数据/OPTICAL DATA



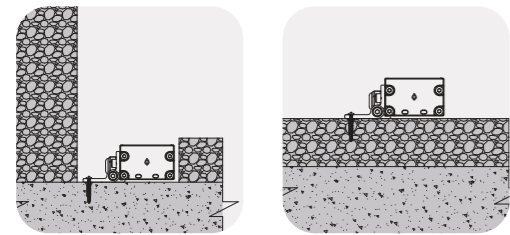
功率/Power 36W

距离 m	1	4	6	8	10
10° 照度 LUX	30209.9	1888.1	839.1	472.0	302.1
光圈直径m	0.1	0.7	1.0	1.4	1.7
距离 m	1	2	3	4	5
25° 照度 LUX	7451.7	1862.9	827.9	465.7	298.0
光圈直径m	0.4	0.9	1.4	1.8	2.3
距离 m	1	2	3	4	5
40° 照度 LUX	4718.9	1179.7	524.3	294.9	188.7
光圈直径m	0.7	1.4	2.1	2.8	3.6
距离 m	1	2	3	4	5
50° 照度 LUX	3201.0	800.2	355.6	200.0	128.0
光圈直径m	0.9	1.8	2.8	3.7	4.7
距离 m	1	2	3	4	5
65° 照度 LUX	2022.45	505.61	224.7	126.4	80.9
光圈直径m	1.32	2.6	3.9	5.3	6.6
距离 m	1	2	3	4	5
10°25° 照度 LUX	18139.9	4534.9	2015.5	1133.7	725.6
光圈直径m	0.1	0.3	0.5	0.7	0.9
距离 m	1	2	3	4	5
15°30° 照度 LUX	11963.4	2990.8	1329.2	747.7	478.5
光圈直径m	0.2	0.4	0.7	0.97	1.2
距离 m	1	2	3	4	5
15°60° 照度 LUX	5929.0	1482.2	658.7	370.5	237.1
光圈直径m	0.2	0.4	0.6	0.9	1.1

型号信息/MODEL INFORMATION

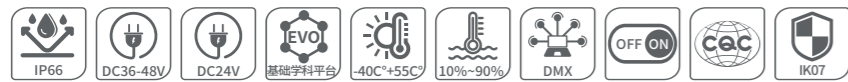
产品型号 Model	长度 Length	功率 Power	电压 Voltage	色温 Color Temperature	角度 Beam Angles	控制协议 Control	芯片品牌 Chips Brand
KMXQ-TP1.0-PZ-36A	L1000mm	36W	DC24V DC36-48V	2200K-6500K	10°、25°、40°、50°、65°、 10°25°、10°30°、15°60	ON/OFF 0-10V DALI	CREE OSRAM EPISTAR LUMILEDS SANAN
KMXQ-TP1.0-PZ-18A	L510mm	18W					
KMXQ-TP1.0-PZ-9A	L265mm	9W					
KMXQ-TP1.0-PZ-24A/B8	L1000mm	24W/36W		2200K-6500K 1800K-3000K+4000K-6500K	10°、25°、40°、50°、65°、 10°25°、10°30°、15°60	ON/OFF DMX512★ 0-10V DALI	
KMXQ-TP1.0-PZ-18A/B6	L1000mm	18W/27W					
KMXQ-TP1.0-PZ-12A/B4	L506mm	12W/24W					
KMXQ-TP1.0-PZ-9A/B3	L498mm	9W/13.5W					
KMXQ-TP1.0-PZ-6A/B2	L300mm	6W/9W					
KMXQ-TP1.0-PZ-24C4	L1000mm	24W/36W					
KMXQ-TP1.0-PZ-18C3	L1000mm	18W/27W		RGB	15°、25°、40°、60°、15°40°	DMX512★	
KMXQ-TP1.0-PZ-12C2	L667mm	12W/24W					
KMXQ-TP1.0-PZ-12C2	L506mm	9W/13.5W					
KMXQ-TP1.0-PZ-6C1	L300mm	6W/9W					
KMXQ-TP1.0-PZ-24D4	L1000mm	24W/36W/48W		RGBW	15°、25°、40°、60°、15°40°	DMX512★	
KMXQ-TP1.0-PZ-18D3	L1000mm	18W/27W/24W					
KMXQ-TP1.0-PZ-12D2	L667mm	12W/24W/36W					
KMXQ-TP1.0-PZ-12D2	L506mm	9W/13.5W/18W					
KMXQ-TP1.0-PZ-6D1	L300mm	6W/9W/12W					

安装示意图/INSTALLATION DIAGRAM



LED洗墙灯 /LED WALL WASHER

KMXQ-TP2.0
太平2.0



技术参数/PARAMETERS

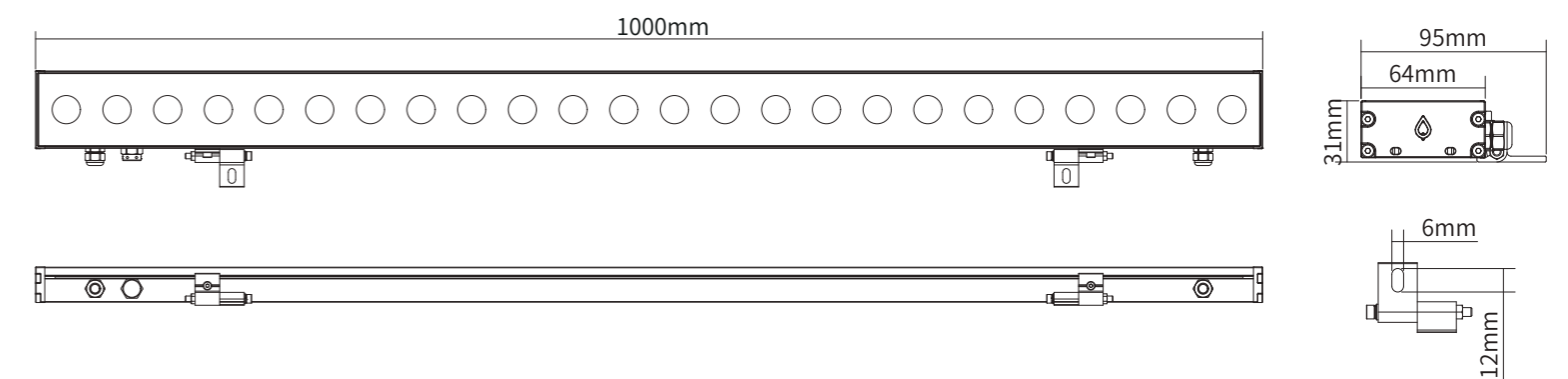
灯体材质: 6063航空铝灯体	Housing material: 6063 aviation aluminum;
压铸铝堵头	Die-cast aluminum end-cap
高强度压铸铝支架	High-strength die-cast aluminum bracket
防水密封硅胶垫	Waterproof silicone gasket
表面处理: 表面金属粉质感喷涂	Surface Finish: Electrostatically applied polyester powder coat
安装: 可调角度范围:垂直方向90°	Installation: Luminaires Rotation: 90°
灯具禁止安装在低洼积水处	Luminaires are not allowed to be installed in low-lying water
线材: ON/OFF 0-10V DALI:100mm两芯1mm²电源防水接头线	Cable: ON/OFF/ 0-10V/ DALI: 100mm two-core 1mm² (Power cable)
DDMX512:100mm五芯2*1+3*0.3mm²电源+信号防水接头线	DDMX512:100mm five-core 2*1+3*0.3mm²(Power and signal in a cable)

产品特性/FEATURES&BENEFITS

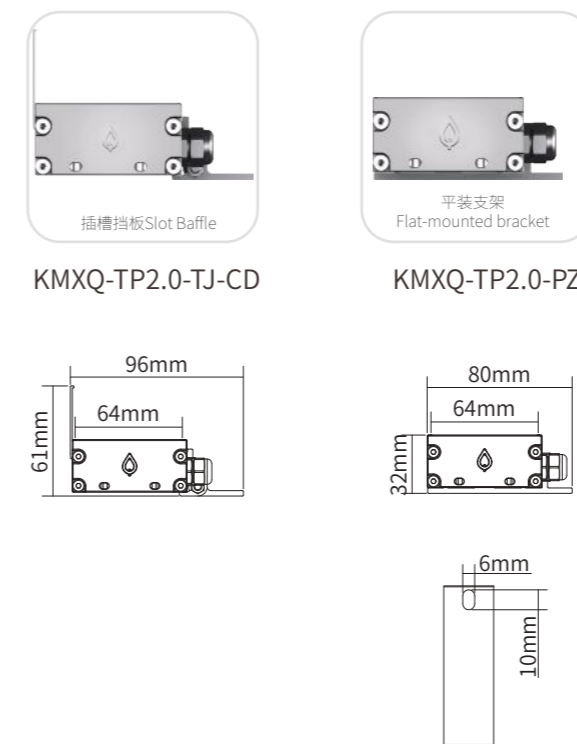
全景解决方案:每一款产品根据不同的应用场景,适配最专业的光学配件	Panoramic Solution:Select the right optical accessories to put the right amount of light right where you want it
个性化配件:安装配件,防眩光配件	Multi-functional Accessories: Accessories for installation , glare control and blending into scenarios
宽电压输入,增强传输距离;精密的方案设计,高效输出,响应节能效应	Wide Voltage Input: Precise electronic scheme, powerful reach and energy-saving
全色域管理:RGB,RGBW/A/L/C/CLA全色域控制管理,最高七色域管理	Full Gamut Management: RGB,RGBW/A/L/C/CLA gamut control management, up to seven colors management



灯具尺寸/DIMENSIONS



其他尺寸/OTHER DIMENSIONS



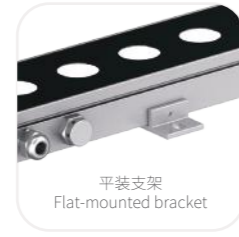
EVO 配件/EVO ACCESSORIES



插槽挡板 Slot Baffle



调角度支架 Adjustable bracket

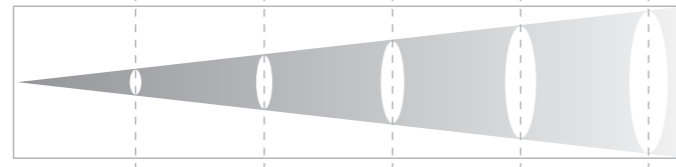


平装支架 Flat-mounted bracket



304不锈钢防坠链
304 stainless steel anti-fall chain

光学数据/OPTICAL DATA



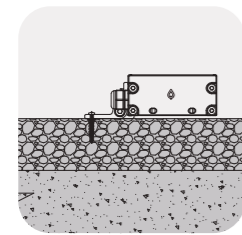
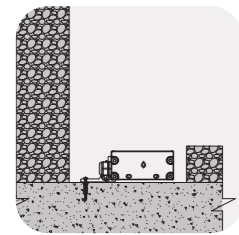
功率/Power 96W

距离 m	1	4	6	8	10
10° 照度 LUX	47535.7	2970.9	1320.4	742.7	475.3
10° 光圈直径 m	0.1	0.7	1.0	1.4	1.7
25° 照度 LUX	11964.0	747.7	332.3	186.9	119.6
25° 光圈直径 m	0.4	1.8	2.8	3.7	4.7
40° 照度 LUX	5337.6	333.6	148.2	83.4	53.3
40° 光圈直径 m	0.9	3.7	5.6	7.4	9.3
50° 照度 LUX	5337.62	333.6	148.2	83.4	53.3
50° 光圈直径 m	0.9	3.7	5.6	7.4	9.3
65° 照度 LUX	3211.40	200.7	89.2	50.1	32.1
65° 光圈直径 m	1.3	5.2	7.9	10.5	13.2
10*25° 照度 LUX	28916.2	1807.2	803.2	451.8	289.1
10*25° 光圈直径 m	0.1	0.7	1.15	1.5	1.9
15*30° 照度 LUX	18859.3	1178.7	523.8	294.6	188.5
15*30° 光圈直径 m	0.2	0.9	1.4	1.9	2.4
15*60° 照度 LUX	9473.2	592.0	263.1	148.0	94.7
15*60° 光圈直径 m	0.2	0.9	1.4	1.9	2.3

型号信息/MODEL INFORMATION

产品型号 Model	长度 Length	功率 Power	电压 Voltage	色温 Color Temperature	角度 Beam Angles	控制协议 Control	芯片品牌 Chips Brand
KMXQ-TP2.0-PZ-24A/B4	L1000mm	72W	DC24V DC36-48V	2200K-6500K 1800K-3000K+4000K-6500K	10°、25°、40°、50°、65°、 10*25°、10*30°、15*60	ON/OFF DMX512★ 0-10V DALI	CREE OSRAM EPISTAR LUMILEDS SANAN
KMXQ-TP2.0-PZ-12A/B2	L506mm	36W					
KMXQ-TP2.0-PZ-6A/B1	L300mm	18W					
KMXQ-TP2.0-PZ-24C4	L1000mm	72W					
KMXQ-TP2.0-PZ-12C2	L506mm	36W					
KMXQ-TP2.0-PZ-6C1	L300mm	18W					
KMXQ-TP2.0-PZ-24D4	L1000mm	48W/72W/96W		RGB	15°、25°、40°、60°、 15*40°	DMX512★	
KMXQ-TP2.0-PZ-12D2	L506mm	18W/36W/48W					
KMXQ-TP2.0-PZ-6D1	L300mm	12W/18W/24W					
KMXQ-TP2.0-PZ-36D6	L1000mm	72W/96W					
KMXQ-TP2.0-PZ-18D3	L510mm	36W/48W					
KMXQ-TP2.0-PZ-12D2	L346mm	24W/32W					

安装示意图/INSTALLATION DIAGRAM



LED 投光灯系列

LED PROJECTOR SERIES

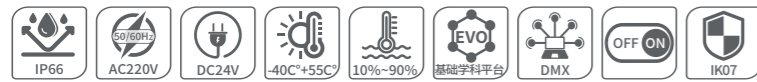
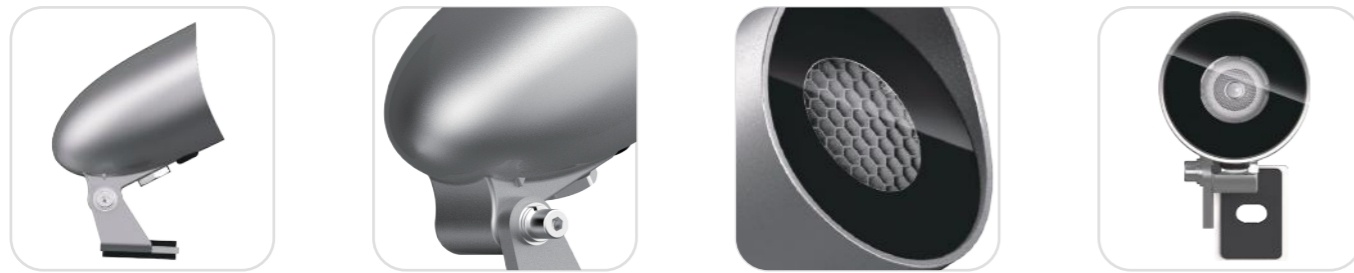
LED投光灯,性能较稳定,适合大小范围的投光照射,也可以进行远距离大面积投光。其独特的性能和应用领域在建筑和景观照明行业中占据重要地位。

LED projectors, stable performance, are suitable for large range and small range of light projection as well as a long- distance large area projection. Its unique performance and application areas occupy an important position in the architectural and landscape lighting industry.



LED投光灯/LED PROJECTOR

KMTG-DK 1.0
弹壳 1.0



技术参数/PARAMETERS

灯体材质: ADC12国标压铸铝	Housing material: ADC12 national standard die-cast aluminum
高强度铝合金支架	High strength aluminum alloy bracket
超白钢化玻璃	Ultra-clear tempered glass
表面处理: 表面金属粉质感喷涂	Surface Finish: Electrostatically applied polyester powder coat
安 装: 可调角度范围:垂直方向90°	Installation: Luminaires Rotation: 90°
灯具禁止安装在低洼积水处	Luminaires are not allowed to be installed in low-lying water
线 材: ON/OFF: 300mm两芯1mm ² 止水线	Cable: ON/OFF: 300mm two-core 1mm ² anti-siphon cable (Power cable)
ON/OFF AC220V: 300mm三芯1mm ² 止水线	ON/OFF AC220V: 300mm three-core 1mm ² anti-siphon cable (Power cable)
DMX512: 300mm六芯2*0.75+4*0.3mm ² PVC线	DMX512: 300mm six-core 2*0.75+4*0.3mm ² (Power and signal in a cable)
五芯5*1mm ² 大头自锁插三通线	300mm five-core 5*1mm ² self-locking tee cable (Power and signal in a cable)

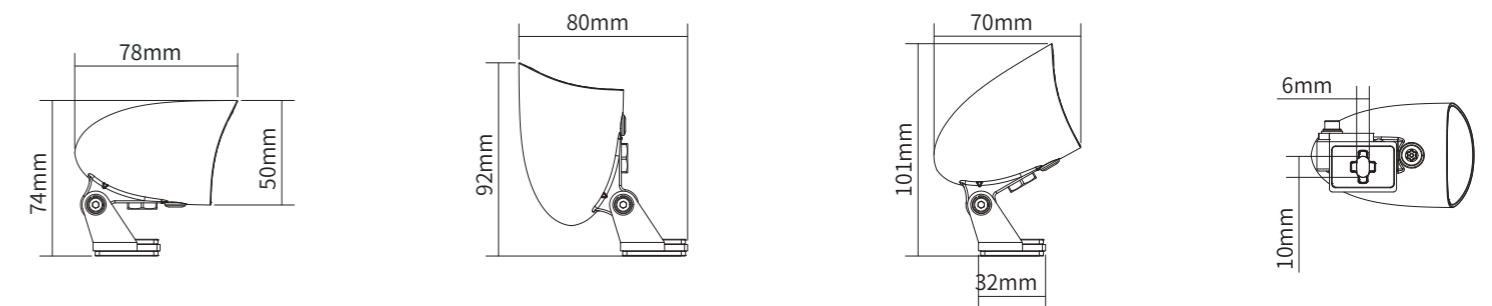
产品特性/FEATURES&BENEFITS

小巧精致, 易隐藏, 完美融入安装场景	Small size and delicate, easy to hide, perfect into the installation scene
无尘永续设计: 结构坚固, 灯具出光面不积尘	Sustainable Design: Sturdy construction and glass surface without dust
宽电压输入方案: 精密的方案设计, 高效输出, 响应节能战略	Wide Voltage Input: Precise electronic scheme, powerful reach and energy-saving.
支持多种数据传输协议DMX512	Support a variety of data transmission protocols :DMX512
多位处理技术: 支持亮度调节, 内置亮灯模式设置, 自动编码	Multi-bit processing technology: Support brightness adjustment, built-in lighting mode setting, automatic coding



西安·庆兴宫

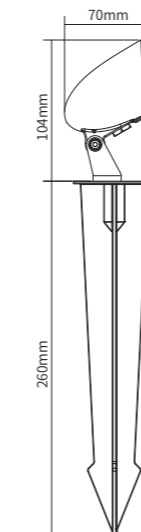
尺寸/DIMENSIONS



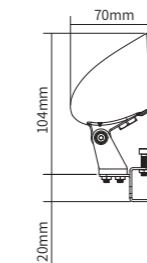
其他尺寸/OTHER DIMENSIONS



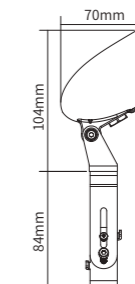
KMTG-DK1.0-DC



KMTG-DK1.0-WJ



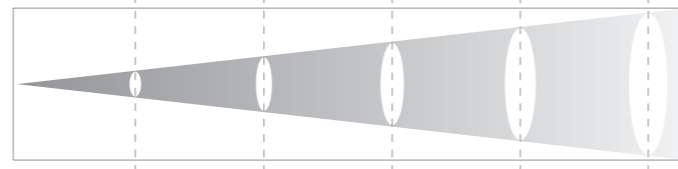
KMTG-DK1.0-GG



EVO 配件/EVO ACCESSORIES



光学数据/OPTICAL DATA



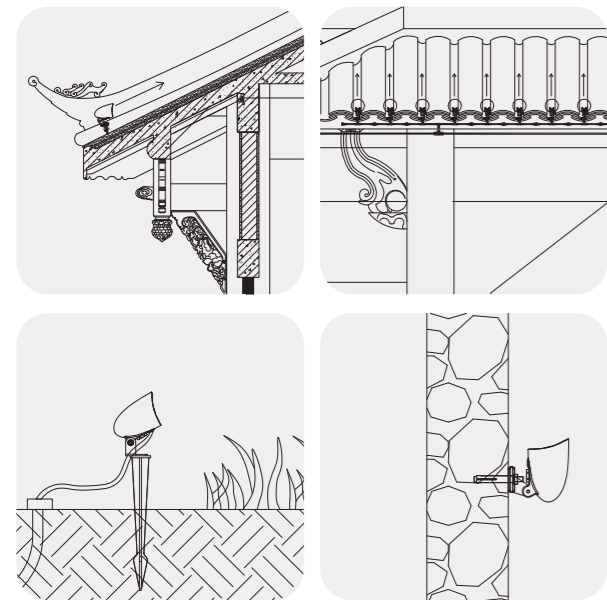
功率/Power 3W

距离m	1	1.5	2	2.5	3	
8°	照度 LUX	4875.3	2166.8	1218.8	780.0	541.7
	光圈直径m	0.1	0.2	0.2	0.3	0.4
10°	照度 LUX	1998.1	888.0	499.5	319.7	222.0
	光圈直径m	0.2	0.3	0.4	0.5	0.6
13°	照度 LUX	1640.2	728.9	410.0	262.4	182.2
	光圈直径m	0.2	0.3	0.4	0.5	0.6
20°	照度 LUX	745.5	331.3	186.3	119.2	82.8
	光圈直径m	0.3	0.5	0.7	0.9	1.1
40°	照度 LUX	290.6	129.1	72.6	46.5	32.3
	光圈直径m	0.6	1.0	1.3	1.6	2.0
45°	照度 LUX	262.3	116.6	65.6	41.9	29.1
	光圈直径m	0.8	1.2	1.6	2.0	2.4

型号信息/MODEL INFORMATION

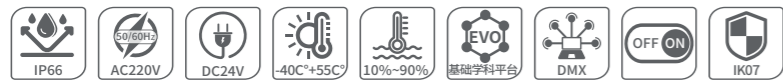
产品型号 Model	尺寸 Size	功率 Power(Pcs)	电压 Voltage	色温 Color Temperature	角度 Beam Angles	控制协议 Control	芯片品牌 Chips Brand
KMTG -DK1.0 -LX-1A	φ 50mm*H92mm	3W(1pcs)	AC220V DC24V	2200K -6500K	8°、10°、13°、15°、 20°、25°、40°、45°	ON/OFF	CREE OSRAM EPSTAR LUMILEDS SANAN
KMTG -DK1.0 -LX-1A/B	φ 50mm*H92mm	3W(1pcs)		2200K -6500K 1800K -3000K+4000K -6500K			
KMTG -DK1.0 -LX-1C	φ 50mm*H92mm	3W(1pcs)	DC24V	RGB	15°、25°、40°、50°	DMX512	
KMTG -DK1.0 -LX-1D	φ 50mm*H92mm	5W(1pcs)		RGBW			

安装示意图/INSTALLATION DIAGRAM



LED投光灯/LED PROJECTOR

KMTG-DK 2.0
弹壳 2.0



技术参数/PARAMETERS

灯体材质: ADC12国标压铸铝	Housing material: ADC12 national standard die-cast aluminum
高强度铝合金支架	High strength aluminum alloy bracket
超白钢化玻璃	Ultra-clear tempered glass
表面处理: 表面金属粉质感喷涂	Surface Finish: Electrostatically applied polyester powder coat
安 装: 可调角度范围:垂直方向90°	Installation: Luminaires Rotation: 90°
灯具禁止安装在低洼积水处	Luminaires are not allowed to be installed in low-lying water
线 材: ON/OFF: 300mm两芯1mm ² 止水线	Cable: ON/OFF: 300mm two-core 1mm ² anti-siphon cable (Power cable)
ON/OFF AC220V: 300mm三芯1mm ² 止水线	ON/OFF AC220V: 300mm three-core 1mm ² anti-siphon cable (Power cable)
DMX512: 300mm六芯2*0.75+4*0.3mm ² PVC线	DMX512: 300mm six-core 2*0.75+4*0.3mm ² (Power and signal in a cable)
五芯5*1mm ² 大头自锁插三通线	300mm five-core 5*1mm ² self-locking tee cable (Power and signal in a cable)

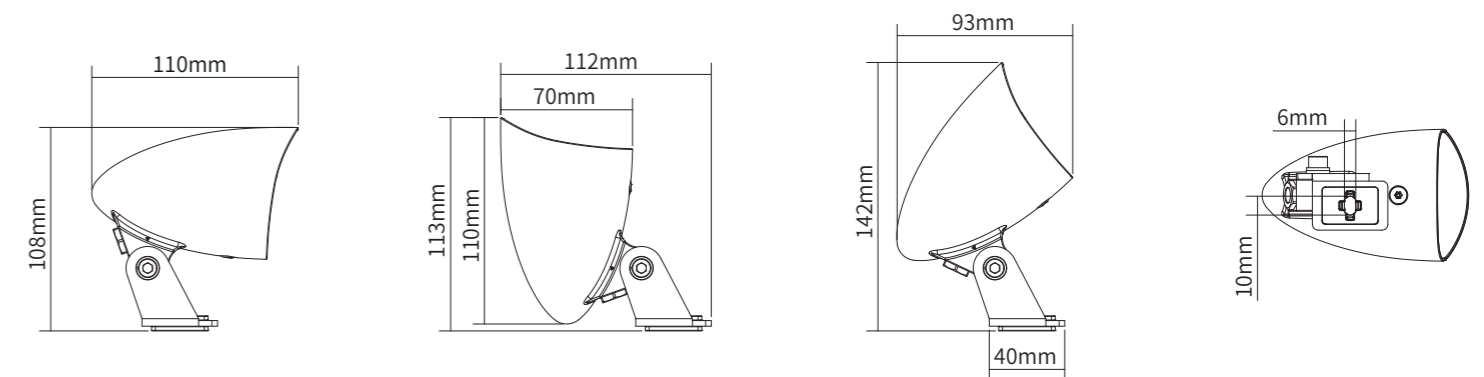
产品特性/FEATURES&BENEFITS

小巧精致, 易隐藏, 完美融入安装场景	Small size and delicate, easy to hide, perfect into the installation scene
无尘永续设计: 结构坚固, 灯具出光面不积尘	Sustainable Design: Sturdy construction and glass surface without dust
宽电压输入方案: 精密的方案设计, 高效输出, 响应节能战略	Wide Voltage Input: Precise electronic scheme, powerful reach and energy-saving
支持多种数据传输协议DMX512	Support a variety of data transmission protocols: DMX512
多位处理技术: 支持亮度调节, 内置亮灯模式设置, 自动编码	Multi-bit processing technology: Support brightness adjustment, built-in lighting mode setting, automatic coding

北京·圆明园正觉寺



尺寸/DIMENSIONS



其他尺寸/OTHER DIMENSIONS



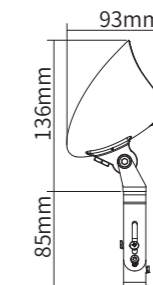
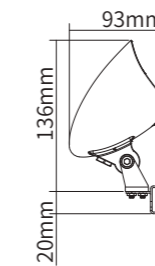
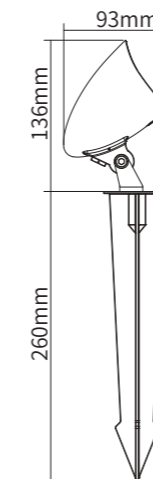
KMTG-DK2.0-DC
地插 Spike



KMTG-DK2.0-WJ
瓦夹支架 Tile-clamp bracket



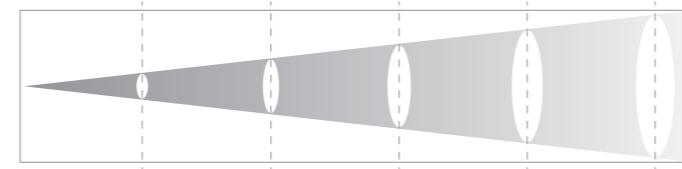
KMTG-DK2.0-GG
挂钩支架 Hook bracket



EVO 配件/EVO ACCESSORIES



光学数据/OPTICAL DATA



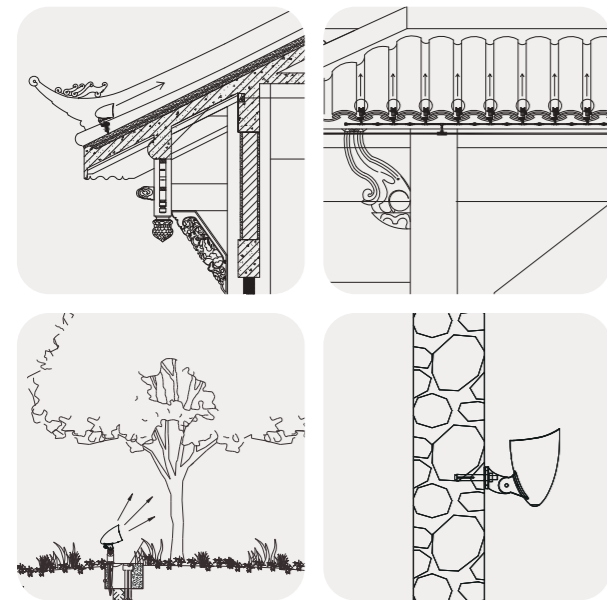
功率/Power 8W

距离m	1	4	6	8	10
5° 照度LUX	42684.5	2667.7	1185.6	666.9	426.8
光圈直径m	0.1	0.3	0.4	0.6	0.8
距离m	1	4	6	8	10
8° 照度LUX	19436.8	1214.8	539.9	303.7	194.3
光圈直径m	0.1	0.4	0.6	0.8	1.0
距离m	1	2	3	4	5
15° 照度LUX	4656.8	1164.2	517.4	291.0	186.2
光圈直径m	0.2	0.5	0.7	1.0	1.3
距离m	1	2	3	4	5
25° 照度LUX	2180.1	545.0	242.2	136.2	87.2
光圈直径m	0.3	0.7	1.1	1.4	1.8

功率/Power 9W

距离m	1	4	6	8	10
8° 照度LUX	10177.9	636.1	282.7	159.0	101.7
光圈直径m	0.1	0.6	0.9	1.2	1.5
距离m	1	4	6	8	10
10° 照度LUX	4601.7	287.6	127.8	71.9	46.0
光圈直径m	0.2	0.8	1.2	1.6	2.0
距离m	1	2	3	4	5
13° 照度LUX	3387.1	846.7	376.3	211.7	135.4
光圈直径m	0.2	0.4	0.6	0.8	1.0
距离m	1	2	3	4	5
20° 照度LUX	1597.5	399.4	177.5	99.8	63.9
光圈直径m	0.4	0.8	1.22	1.6	2.0
距离m	1	2	3	4	5
40° 照度LUX	559.9	139.9	62.	34.9	22.4
光圈直径m	0.7	1.5	2.3	3.12	3.9
距离m	1	2	3	4	5
45° 照度LUX	553.1	138.2	61.4	34.5	22.1
光圈直径m	0.8	1.7	2.5	3.4	4.2

安装示意图/INSTALLATION DIAGRAM

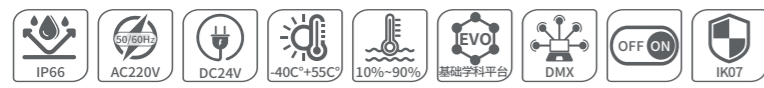


型号信息/MODEL INFORMATION

产品型号 Model	尺寸 Size	功率 Power	电压 Voltage	色温 Color Temperature	角度 Beam Angles	控制协议 Control	芯片品牌 Chips Brand
KMTG -DK2.0 -KJ-1A	φ 70mm*H113mm	8W(1pcs)	AC220V DC24V	2200K -6500K	5°、8°、15°、25°	ON/OFF	CREE OSRAM EPISTAR LUMILEDS SANAN
KMTG -DK2.0 -KJ-1D	φ 70mm*H113mm	15W(1pcs)	DC24V	RGBW	8°、15°、25°	DMX512	
KMTG -DK2.0 -KJ-3A	φ 70mm*H113mm	9W(3pcs)	AC220V DC24V	2200K -6500K	8°、10°、13°、15°、20°、 25°、40°、45°	ON/OFF	
KMTG -DK2.0 -KJ-3A/B	φ 70mm*H113mm	9W(3pcs)	DC24V	2200K -6500K 1800K-3000K+4000K-6500K		DMX512	
KMTG -DK2.0 -KJ-3C	φ 70mm*H113mm	9W(3pcs)		RGB	15°、25°、40°、50°		
KMTG -DK2.0 -KJ-3D	φ 70mm*H113mm	12W(3pcs)	RGBW				

LED投光灯/LED PROJECTOR

KMTG-SY 2.0
宋玉 2.0



技术参数/PARAMETERS

灯体材质: ADC12国标压铸铝	Housing material: ADC12 national standard die-cast aluminum
高强度铝合金支架	High strength aluminum alloy bracket
超白钢化玻璃	Ultra-clear tempered glass
表面处理: 表面金属粉漆质感喷涂	Surface Finish: Electrostatically applied polyester powder coat
安 装: 可调角度范围:垂直方向90°	Installation: Luminaires Rotation: 90°
灯具禁止安装在低洼积水处	Luminaires are not allowed to be installed in low-lying water
线 材: ON/OFF: 500mm两芯1mm ² 止水线	Cable: ON/OFF: 500mm two-core 1mm ² anti-siphon cable (Power cable)
ON/OFF AC220V: 500mm三芯1mm ² 止水线	ON/OFF AC220V: 500mm three-core 1mm ² anti-siphon cable (Power cable)
DMX512: 500mm六芯2*0.75+4*0.3mm ² PVC线	DMX512: 500mm six-core 2*0.75+4*0.3mm ² (Power and signal in a cable)
五芯5*1mm ² 大头自锁插三通线	500mm five-core 5*1mm ² self-locking tee cable (Power and signal in a cable)

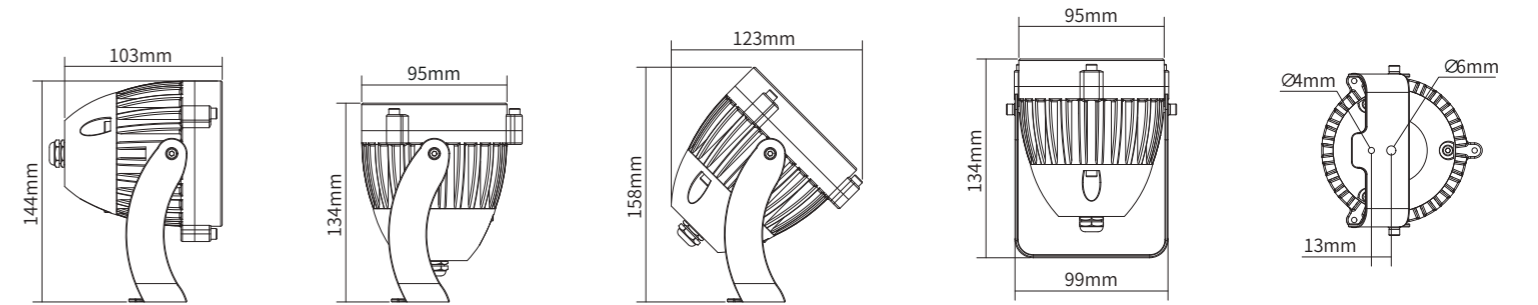
产品特性/FEATURES&BENEFITS

小巧精致, 易隐藏, 完美融入安装场景	Small size and delicate, easy to hide, perfect into the installation scene
无尘永续设计: 结构坚固, 灯具出光面不积尘	Sustainable Design: Sturdy construction and glass surface without dust
宽电压输入方案: 精密的方案设计, 高效输出, 响应节能战略	Wide Voltage Input: Precise electronic scheme, powerful reach and energy-saving
支持多种数据传输协议DMX512	Support a variety of data transmission protocol :DMX512
多位处理技术: 支持亮度调节, 内置亮灯模式设置, 自动编码	Multi-bit processing technology: Support brightness adjustment, built-in lighting mode setting, automatic coding



陕西·兴庆宫

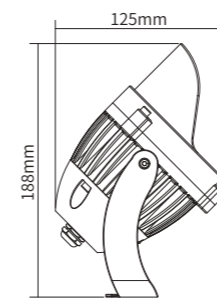
尺寸/DIMENSIONS



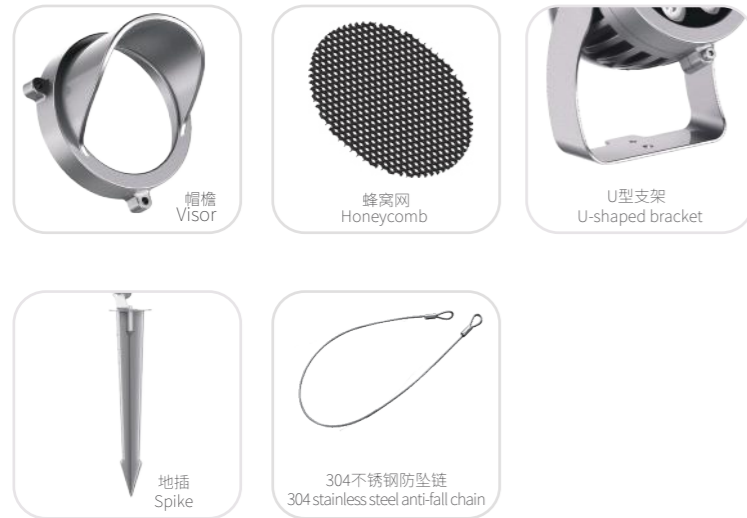
其他尺寸/OTHER DIMENSIONS



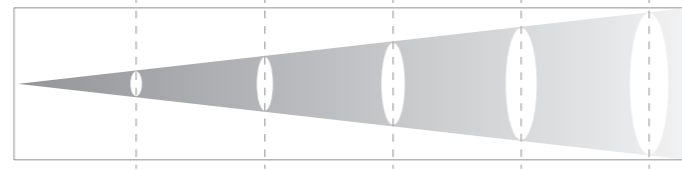
KMTG-SY2.0-UX-MY



EVO 配件/EVO ACCESSORIES



光学数据/OPTICAL DATA



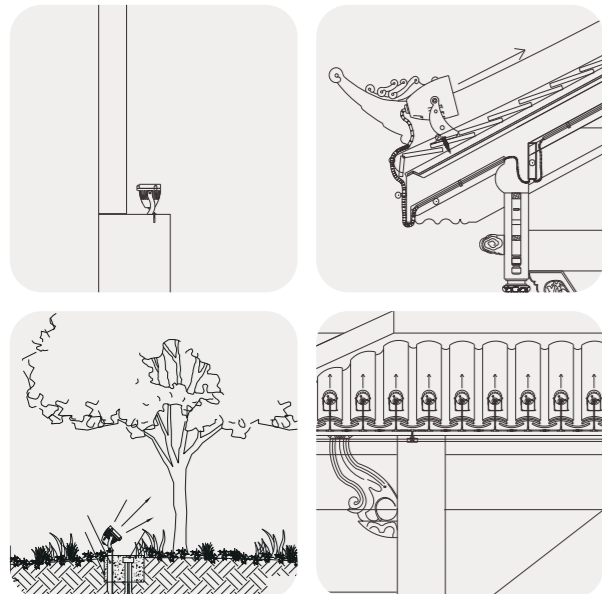
功率/Power 12W

距离m	1	2	3	4	5
10° 照度lux	7774.9	1943.7	863.8	485.9	311.0
光圈直径m	0.2	0.3	0.5	0.7	0.9
距离m	1	2	3	4	5
15° 照度lux	7918.4	1979.6	879.8	494.9	316.7
光圈直径m	0.2	0.5	0.7	1.0	1.2
距离m	1	2	3	4	5
25° 照度lux	3222.3	805.5	358.0	201.4	128.8
光圈直径m	0.4	0.8	1.2	1.6	2.1
距离m	1	2	3	4	5
30° 照度lux	2081.4	520.3	231.2	130.0	83.2
光圈直径m	0.4	0.9	1.4	1.9	2.3
距离m	1	2	3	4	5
40° 照度lux	1482.9	370.7	164.7	92.6	59.3
光圈直径m	0.6	1.2	1.8	2.4	3.0
距离m	1	2	3	4	5
60° 照度lux	549.8	137.4	61.0	34.3	21.9
光圈直径m	1.2	2.4	3.6	4.8	6.0

型号信息/MODEL INFORMATION

产品型号 Model	尺寸 Size	功率 Power(Pcs)	电压 Voltage	色温 Color Temperature	角度 Beam Angles	控制协议 Control	芯片品牌 Chips Brand
KMTG -SY2.1 -UX-6A	φ 95mm*H134mm	12W(6pcs)	AC220V DC24V	2200K-6500K	10°、15°、25°、30°、 45°、60°	ON/OFF	CREE OSRAM EPISTAR LUMILEDS SANAN
KMTG -SY2.1 -UX-6A/B	φ 95mm*H134mm	12W(6pcs)	DC24V	2200K-6500K 1800K-3000K+4000K -6500K	15°、25°、40°、50°	DMX512★	
KMTG -SY2.1 -UX-6C	φ 95mm*H134mm	12W(6pcs)		RGB			
KMTG -SY2.1 -UX-6D	φ 95mm*H134mm	15W(6pcs)	RGBW				

安装示意图/INSTALLATION DIAGRAM



LED投光灯/LED PROJECTOR

KMTG-TJ 1.0
太极 1.0



技术参数/PARAMETERS

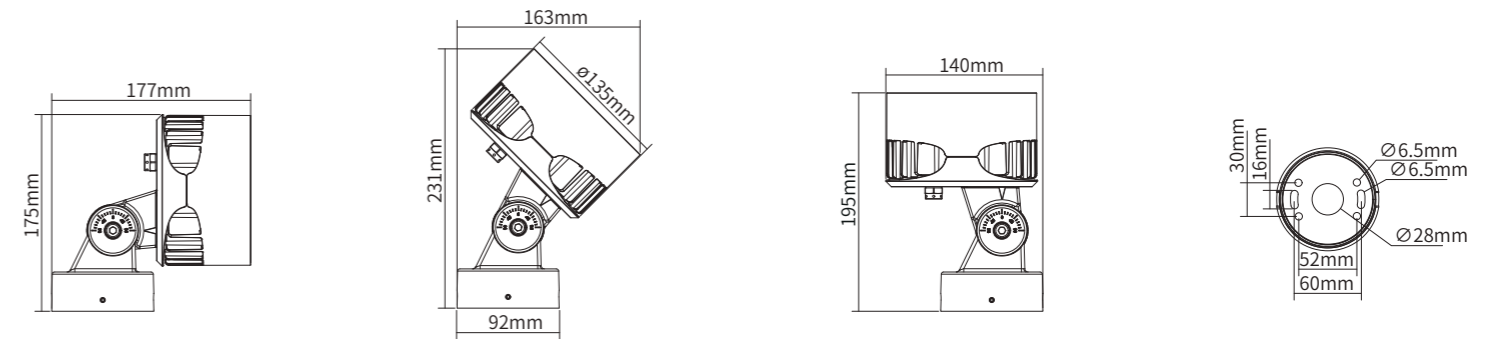
灯体材质: ADC12国标压铸铝	Housing material: ADC12 national standard die-cast aluminum
高强度铝合金支架	High strength aluminum alloy bracket
超白钢化玻璃	Ultra-clear tempered glass
表面处理: 表面金属粉质感喷涂	Surface Finish: Electrostatically applied polyester powder coat
安 装: 可调角度范围:垂直方向90°	Installation: Luminaires Rotation: 90°
灯具禁止安装在低洼积水处	Luminaires are not allowed to be installed in low-lying water
线 材: ON/OFF 0-10V DALI:500mm两芯1mm ² 止水线	Cable: ON/OFF 0-10V DALI :500mm two-core 1mm ² anti-siphon cable
ON/OFF AC220V:500mm三芯1mm ² 电源止水线	ON/OFF AC220V :500mm three-core 1mm ² anti-siphon cable
DMX512:500mm五芯2*1+3*0.3mm ² 电源+信号防水接头线	DIX512 :500mm five-core 2*1+3*0.3mm ² self-locking connectors (Power and signal in a cable)
DMX512 AC220V:500mm三芯1mm ² 止水线	DMX512 AC220V:500mm three-core 1mm ² (Anti-siphon cable)
+500mm四芯0.5mm ² 信号自锁防水接头线	+500mm four-core 0.5mm ² self-locking connector (Signal cable)

产品特性/FEATURES&BENEFITS

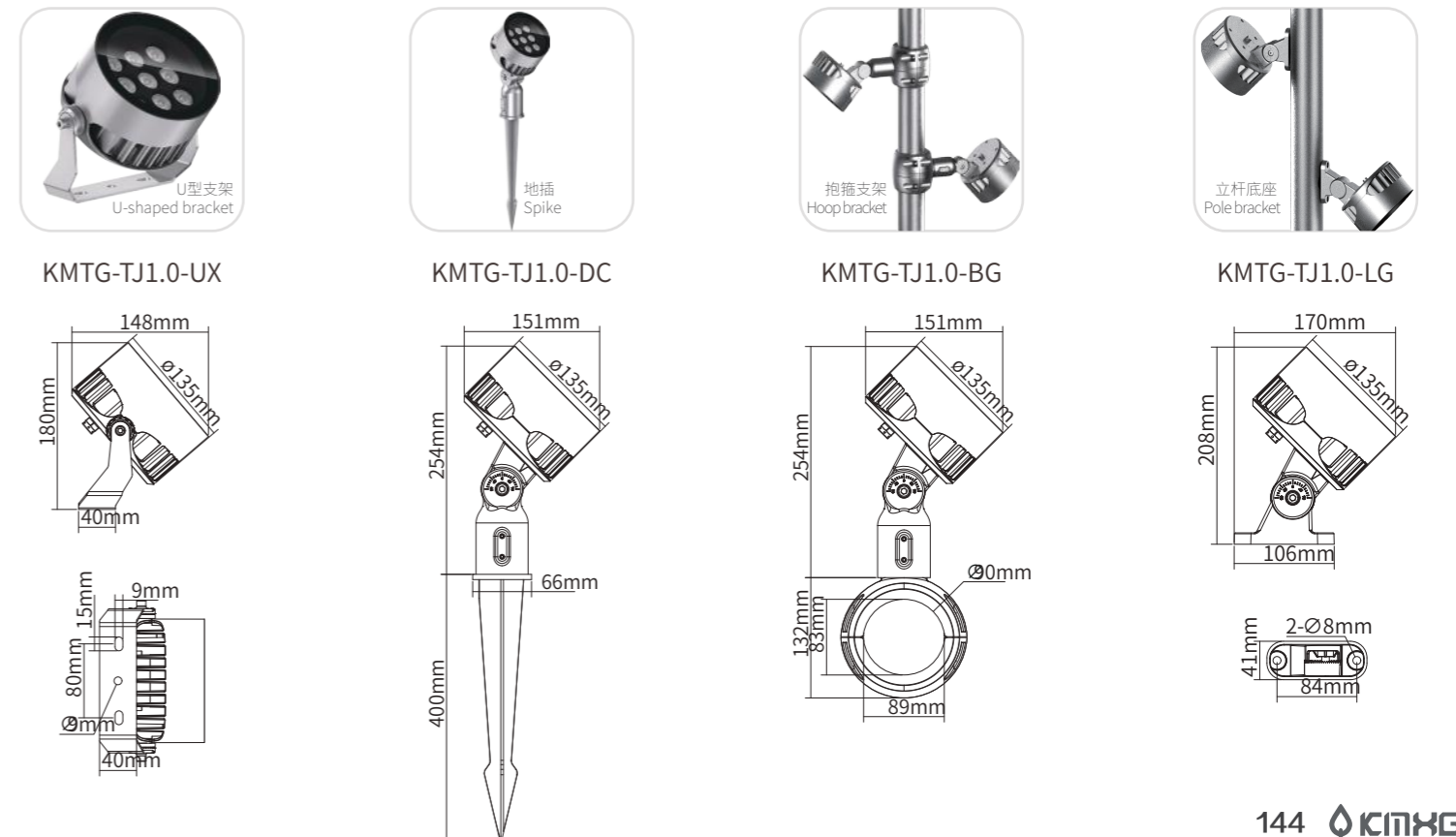
多位处理技术:支持多通道模式,频闪,CCT色温调节,总调光,RGBW/A/L模式,CMY模式,调光模式等多功能选项	Multibit Processing technique:Support multi-channel mode, stroboscopic, CCT color temperature adjustment,RGBW/A/L mode, CMY mode and other multi-functional options
个性化配件:安装配件,防眩光配件,仿生配件	Multi-funational Accessories: Accessories for installation , glare control and blending into scenarios
宽电压输入方案:精密的方案设计,高效输出,响应节能战略	Wide Voltage Input:Precise electronic scheme, powerful reach and energy-saving
全色域管理:RGB,RGBW/A/L/C/CLA全色域控制管理,最高七色域管理	Full Gamut Management: RGB,RGBW/A/L/C/CLA gamut control management, up to seven colors management
选配过压/过流监测保护,温度监测管理,白平衡管理,多色单通道高光效管理,CCT/DUV/高亮/高显色温管理,色彩灰阶校正管理	Optional overvoltage/overcurrent monitoring protection, temperature monitoring management, white balance management, multi-color single pass high light efficiency management, CCT/DUV/ high brightness/high color temperature management, color gray level correction management



尺寸/DIMENSIONS



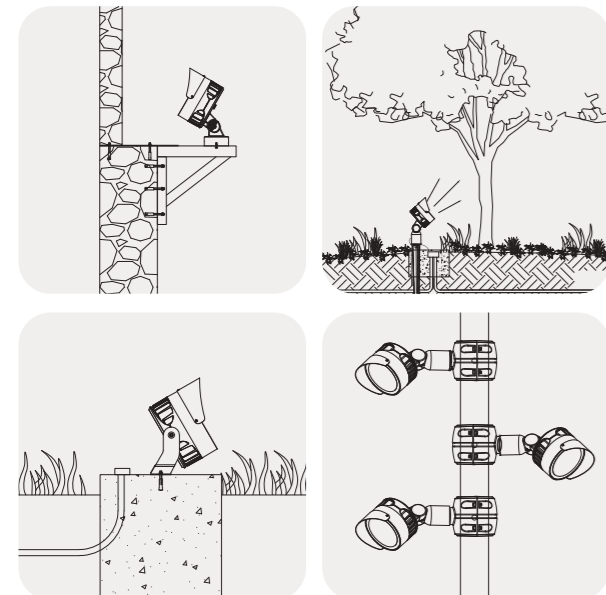
其他尺寸/OTHER DIMENSIONS



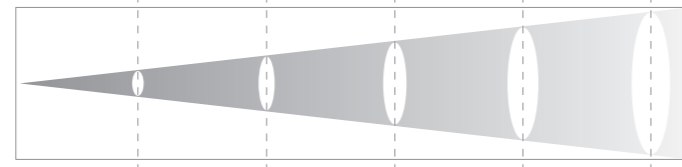
EVO 配件/EVO ACCESSORIES



安装示意图/INSTALLATION DIAGRAM



光学数据/OPTICAL DATA



功率/Power 24W

距离m	1	4	6	8	10
8° 最大照度 LUX	38674.1	2417.1	1074.2	604.2	386.7
光圈直径m	0.1	0.7	1.0	1.4	1.7
距离m	1	4	6	8	10
10° 最大照度 LUX	21316.6	1332.2	592.1	333.0	213.1
光圈直径m	0.2	0.8	1.2	1.6	2.0
距离m	1	2	3	4	5
13° 最大照度 LUX	14628.6	3657.1	1625.4	914.2	585.1
光圈直径m	0.2	0.4	0.6	0.8	1.0
距离m	1	2	3	4	5
20° 最大照度 LUX	6717.5	1679.3	746.3	419.8	268.7
光圈直径m	0.4	0.8	1.2	1.6	2.0
距离m	1	2	3	4	5
40° 最大照度 LUX	2294.1	573.5	254.9	143.3	91.7
光圈直径m	0.8	1.6	2.4	3.2	4.0
距离m	1	2	3	4	5
45° 最大照度 LUX	2294.8	573.7	254.9	143.4	91.7
光圈直径m	0.8	1.7	2.6	3.4	4.3

功率/Power 16W

距离m	1	4	6	8	10
5° 最大照度 LUX	103630.5	6476.9	2878.6	1619.2	1036.3
光圈直径m	0.1	0.3	0.4	0.6	0.8
距离m	1	4	6	8	10
8° 最大照度 LUX	47776.7	2986.0	1327.1	746.5	477.0
光圈直径m	0.1	0.4	0.6	0.8	1.1
距离m	1	2	3	4	5
15° 最大照度 LUX	10443.9	2610.9	1160.4	652.7	417.7
光圈直径m	0.2	0.5	0.8	1.0	1.3
距离m	1	2	3	4	5
25° 最大照度 LUX	4976.6	1244.1	552.9	311.0	199.0
光圈直径m	0.3	0.7	1.1	1.5	1.9

型号信息/MODEL INFORMATION

产品型号 Model	尺寸 Size	功率 Power(Pcs)	电压 Voltage	色温 Color Temperature	角度 Beam Angles	控制协议 Control	芯片品牌 Chips Brand
KMTG-TJ1.0-UX-9A/B	φ 135mm	24W(9pcs)	DC24V DC48V AC220V	2200K-6500K 1800K-3000K+4000K-6500K	8°、10°、13°、20°、40°、45°	ON/OFF DMX512★★★	CREE OSRAM EPISTAR LUMILEDS SANAN
KMTG-TJ1.0-UX-2A/B	φ 135mm	16W(2pcs)			5°、8°、15°、25°	0-10V DALI	
KMTG-TJ1.0-UX-9C/D	φ 135mm	24W(9pcs)		RGB RGBW	8°、15°、25°、40°、50°	DMX512★★★	
KMTG-TJ1.0-UX-2C/D	φ 135mm	16W(2pcs)			8°、15°、25°、40°、50°		
KMTG-TJ1.0-UX-9D	φ 135mm	36W(9pcs)		RGBW	8°、15°、25°、40°、50°		

LED投光灯/LED PROJECTOR

KMTG-TJ 2.0
太极 2.0



技术参数/PARAMETERS

灯体材质: ADC12国标压铸铝	Housing material: ADC12 national standard die-cast aluminum
高强度铝合金支架	High strength aluminum alloy bracket
超白钢化玻璃	Ultra-clear tempered glass
表面处理: 表面金属粉漆质感喷涂	Surface Finish: Electrostatically applied polyester powder coat
安 装: 可调角度范围:垂直方向90°	Installation: Luminaires Rotation: 90°
灯具禁止安装在低洼积水处	Luminaires are not allowed to be installed in low-lying water
线 材: ON/OFF 0-10V DALI:500mm两芯1mm²止水线	Cable: ON/OFF 0-10V DALI :500mm two-core 1mm² anti-siphon cable
ON/OFF AC220V:500mm三芯1mm²电源止水线	ON/OFF AC220V :500mm three-core 1mm² anti-siphon cable
DMX512:500mm五芯2*1+3*0.3mm²电源+信号防水接头线	DIX512 :500mm five-core 2*1+3*0.3mm² self-locking connectors (Power and signal in a cable)
DMX512 AC220V:500mm三芯1mm²止水线	DMX512 AC220V:500mm three-core 1mm² (Anti-siphon cable)
+500mm四芯0.5mm²信号自锁防水接头线	+500mm four-core 0.5mm² self-locking connector (Signal cable)

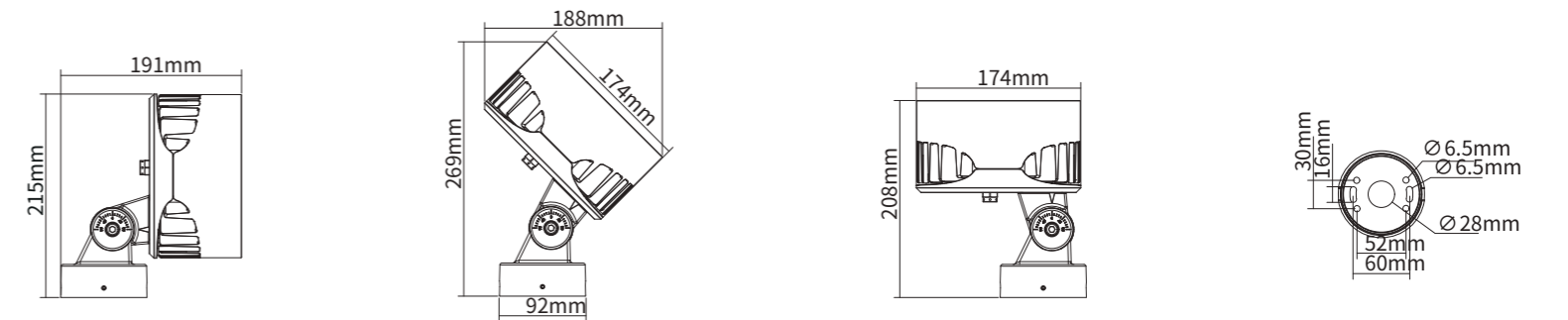
产品特性/FEATURES&BENEFITS

多位处理技术:支持多通道模式,频闪,CCT色温调节,总调光,RGBW/A/L模式,CMY模式,调光模式等多功能选项	Multi-bit Processing technique:Support multi-channel mode, stroboscopic, CCT color temperature adjustment,RGBW/A/L mode, CMY mode and other multi-functional options
个性化配件:安装配件,防眩光配件,仿生配件	Multi-funtional Accessories: Accessories for installation , glare control and blending into scenarios
宽电压输入方案:精密的方案设计,高效输出,响应节能战略	Wide Voltage Input:Precise electronic scheme, powerful reach and energy-saving
全色域管理:RGB,RGBW/A/L/C/CLA全色域控制管理,最高七色域管理	Full Gamut Management: RGB,RGBW/A/L/C/CLA gamut control management, up to seven colors management
选配过压/过流监测保护,温度监测管理,白平衡管理,多色单通道高光效管理,CCT/DUV/高亮/高显色温管理,色彩灰阶校正管理	Optional overvoltage/overcurrent monitoring protection, temperature monitoring management, white balance management, multi-color single pass high light efficiency management, CCT/DUV/ high brightness/high color temperature management, color gray level correction management

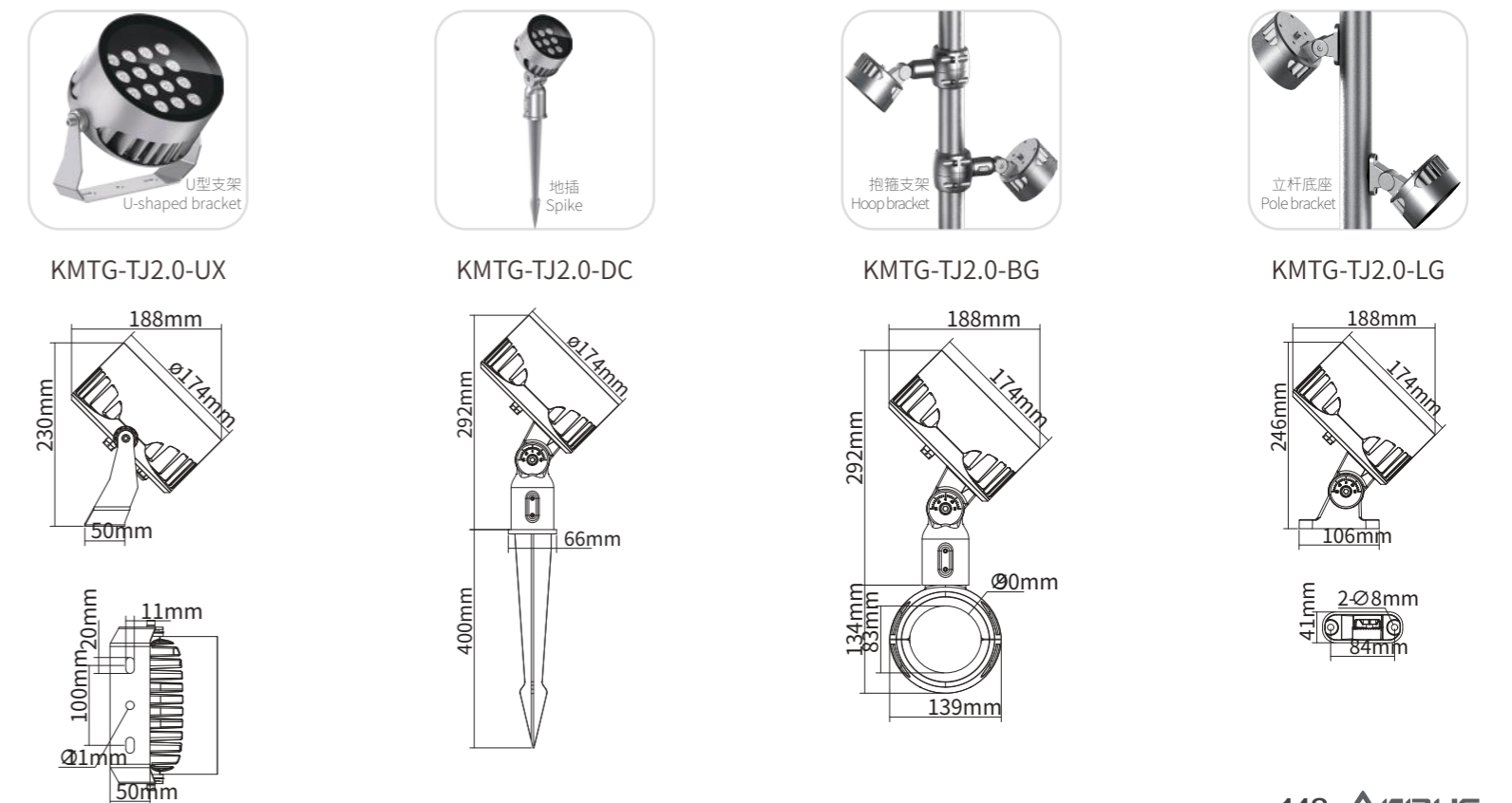


江西·抚州

尺寸/DIMENSIONS



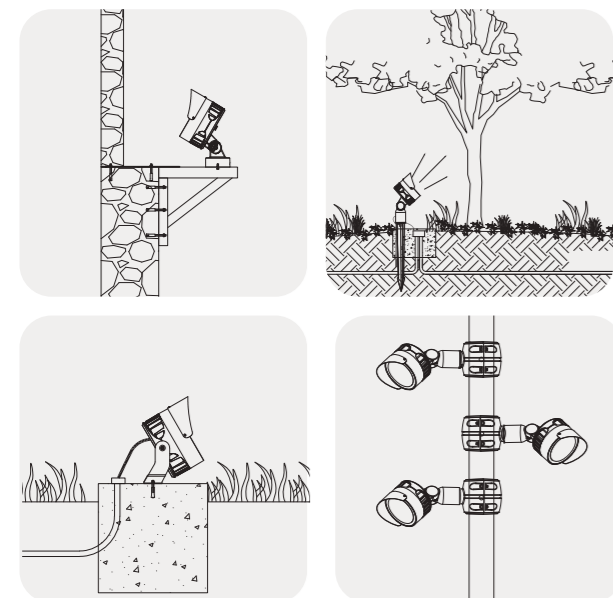
其他尺寸/OTHER DIMENSIONS



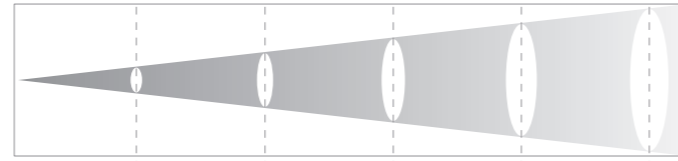
EVO 配件/EVO ACCESSORIES



安装示意图/INSTALLATION DIAGRAM



光学数据/OPTICAL DATA



功率/Power 48W

距离 m	1	4	6	8	10
8° 最大照度 LUX	77206.9	4825.4	2144.6	1206.3	772.0
光圈直径m	0.1	0.6	1.3	1.3	1.2
距离 m	1	4	6	8	10
10° 最大照度 LUX	42378.6	2648.6	1177.1	662.1	423.7
光圈直径m	0.2	0.8	1.2	1.6	2.1
距离 m	1	2	3	4	5
13° 最大照度 LUX	27326.4	6831.6	3036.2	1707.9	1093.0
光圈直径m	0.2	0.4	0.6	0.8	1.0
距离 m	1	2	3	4	5
20° 最大照度 LUX	13673.7	3418.4	1519.3	854.6	546.9
光圈直径m	0.4	0.8	1.2	1.6	2.0
距离 m	1	2	3	4	5
40° 最大照度 LUX	4689.5	1172.4	521.0	293.1	187.5
光圈直径m	0.7	1.5	2.3	3.1	3.9
距离 m	1	2	3	4	5
45° 最大照度 LUX	4680.4	1170.1	520.0	292.5	187.2
光圈直径m	0.8	1.7	2.6	3.4	4.3

功率/Power 32W

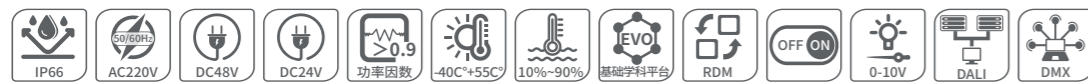
距离 m	1	4	6	8	10
5° 最大照度 LUX	203026.0	12689.13	5639.61	3172.28	2030.26
光圈直径m	0.1	0.3	0.4	0.6	0.8
距离 m	1	4	6	8	10
8° 最大照度 LUX	90499.3	5656.2	2513.8	1414.0	904.9
光圈直径m	0.1	0.4	0.6	0.8	1.1
距离 m	1	2	3	4	5
15° 最大照度 LUX	21407.8	5351.9	2378.6	1337.9	856.3
光圈直径m	0.2	0.5	0.7	1.04	1.30
距离 m	1	2	3	4	5
25° 最大照度 LUX	9405.6	2351.4	1045.0	587.8	376.2
光圈直径m	0.3	0.7	1.1	1.5	1.9

型号信息/MODEL INFORMATION

产品型号 Model	尺寸 Size	功率 Power(Pcs)	电压 Voltage	色温 Color Temperature	角度 Beam Angles	控制协议 Control	芯片品牌 Chips Brand
KMTG-TJ2.0-UX-16A/B	φ174mm	48W(16pcs)	DC24V DC48V AC220V	2200K-6500K 1800K-3000K+4000K-6500K	8°、10°、13°、 20°、40°、45°	ON/OFF DMX512★★★★	CREE OSRAM EPISTAR LUMILEDS SANAN
KMTG-TJ2.0-UX-4A/B	φ174mm	32W(4pcs)			5°、8°、15°、25°	0-10V DALI	
KMTG-TJ2.0-UX-16C/D	φ174mm	48W(16pcs)		RGB RGBW	8°、15°、25°、 40°、50°	DMX512★★★★	
KMTG-TJ2.0-UX-4C/D	φ174mm	40W(4pcs)		RGBW			
KMTG-TJ2.0-UX-16D	φ174mm	72W(16pcs)		RGBW			

LED投光灯/LED PROJECTOR

KMTG-TJ 3.0
太极 3.0



技术参数/PARAMETERS

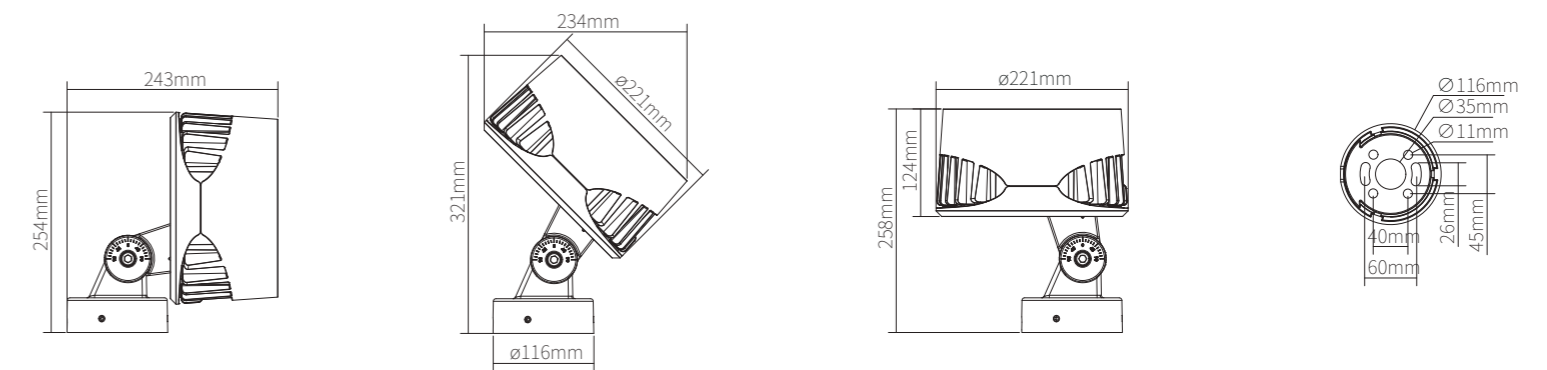
灯体材质: ADC12国标压铸铝	Housing material: ADC12 national standard die-cast aluminum
高强度铝合金支架	High strength aluminum alloy bracket
超白钢化玻璃	Ultra-clear tempered glass
表面处理: 表面金属粉漆质感喷涂	Surface Finish: Electrostatically applied polyester powder coat
安 装: 可调角度范围:垂直方向90°	Installation: Luminaires Rotation: 90°
灯具禁止安装在低洼积水处	Luminaires are not allowed to be installed in low-lying water
线 材: ON/OFF 0-10V DALI:500mm两芯1mm²止水线	Cable: ON/OFF 0-10V DALI :500mm two-core 1mm² anti-siphon cable
ON/OFF AC220V:500mm三芯1mm²电源止水线	ON/OFF AC220V :500mm three-core 1mm² anti-siphon cable
DMX512:500mm五芯2*1+3*0.3mm²电源+信号防水接头线	DIX512 :500mm five-core 2*1+3*0.3mm² self-locking connectors (Power and signal in a cable)
DMX512 AC220V:500mm三芯1mm²止水线	DMX512 AC220V:500mm three-core 1mm² (Anti-siphon cable)
+500mm四芯0.5mm²信号自锁防水接头线	+500mm four-core 0.5mm² self-locking connector (Signal cable)

产品特性/FEATURES&BENEFITS

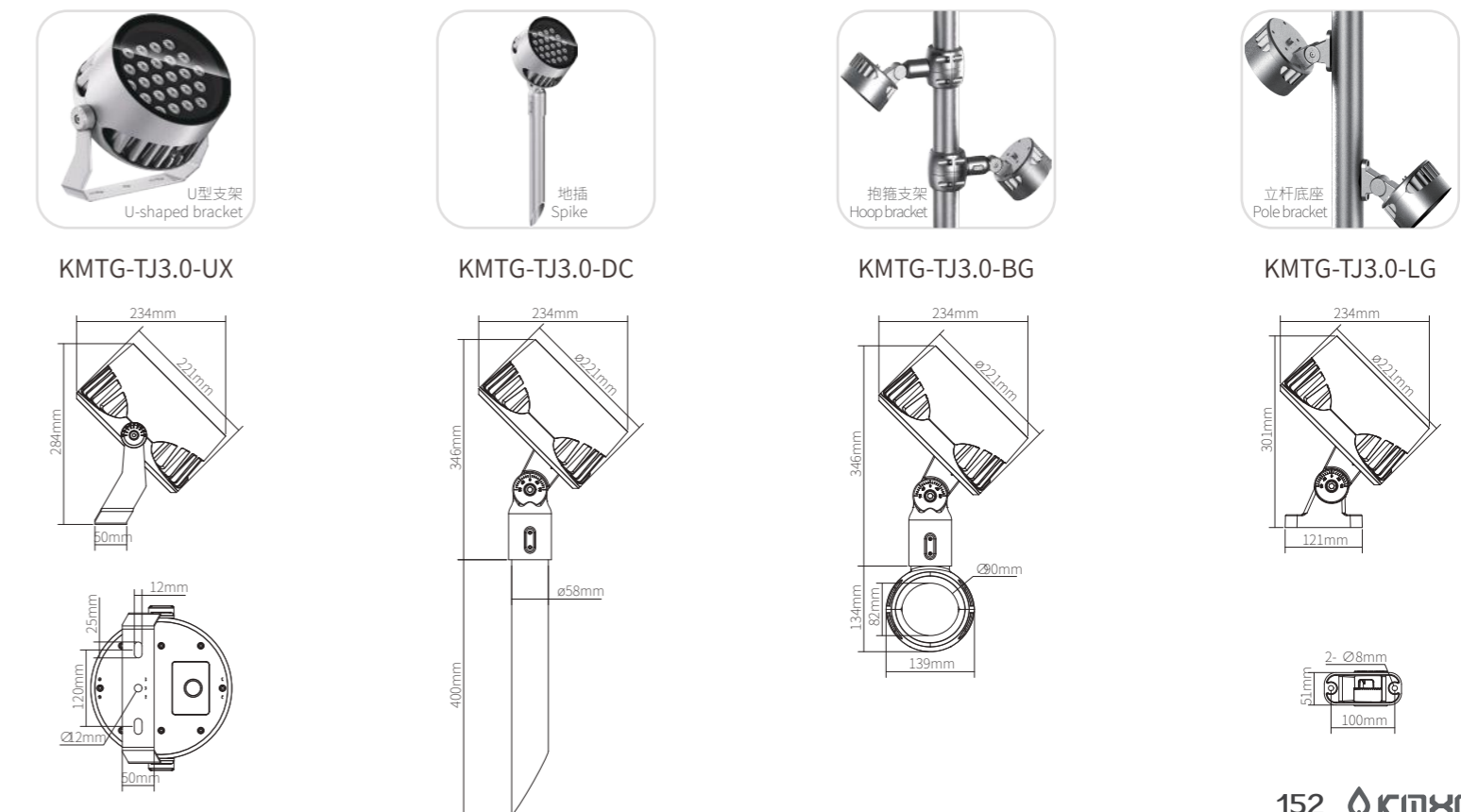
多位处理技术:支持多通道模式,频闪,CCT色温调节,总调光,RGBW/A/L模式,CMY模式,调光模式等多功能选项	Multitbit Processing technique:Support multi-channel mode, stroboscopic, CCT color temperature adjustment,RGBW/A/L mode, CMY mode and other multi-functional options
个性化配件:安装配件,防眩光配件,仿生配件	Multi-funtional Accessories: Accessories for installation , glare control and blending into scenarios
宽电压输入方案:精密的方案设计,高效输出,响应节能战略	Wide Voltage Input:Precise electronic scheme, powerful reach and energy-saving
全色域管理:RGB,RGBW/A/L/C/CLA全色域控制管理,最高七色域管理	Full Gamut Management: RGB,RGBW/A/L/C/CLA gamut control management, up to seven colors management
选配过压/过流监测保护,温度监测管理,白平衡管理,多色单通道高光效管理,CCT/DUV/高亮/高显色温管理,色彩灰阶校正管理	Optional overvoltage/overcurrent monitoring protection, temperature monitoring management, white balance management, multi-color single pass high light efficiency management, CCT/DUV/ high brightness/high color temperature management, color gray level correction management



尺寸/DIMENSIONS



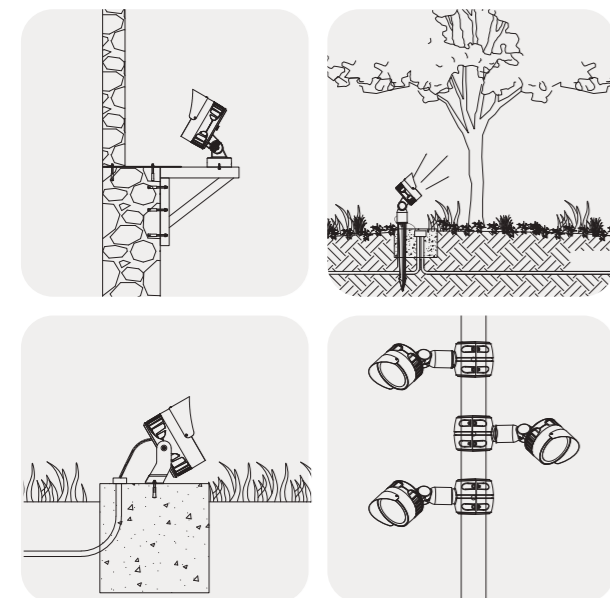
其他尺寸/OTHER DIMENSIONS



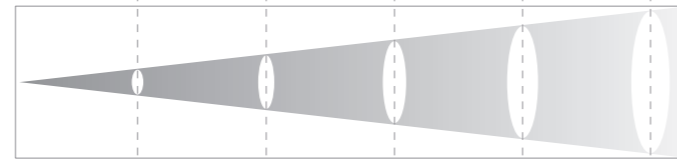
EVO 配件/EVO ACCESSORIES



安装示意图/INSTALLATION DIAGRAM



光学数据/OPTICAL DATA



功率/Power 72W

距离 m	1	5	10	15	20
8° 最大照度 lux	100369.0	4014.7	1003.6	446.0	250.9
光圈直径 m	0.1	0.8	1.7	2.5	3.4
距离 m	1	4	6	8	10
10° 最大照度 lux	55092.1	3443.2	1530.3	860.8	550.9
光圈直径 m	0.2	0.8	1.2	1.6	2.1
距离 m	1	4	6	8	10
13° 最大照度 lux	35524.4	2220.2	986.7	555.0	355.2
光圈直径 m	0.2	0.8	1.3	1.7	2.1
距离 m	1	2	3	4	5
20° 最大照度 lux	17775.8	4443.9	1975.1	1110.9	711.0
光圈直径 m	0.4	0.8	1.2	1.6	2.0
距离 m	1	2	3	4	5
40° 最大照度 lux	6096.4	1524.1	677.3	381.0	243.8
光圈直径 m	0.7	1.5	2.3	3.1	3.9
距离 m	1	2	3	4	5
45° 最大照度 lux	6084.5	1521.1	676.0	380.2	243.3
光圈直径 m	0.8	1.7	2.6	3.4	4.3

功率/Power 70W

距离 m	1	5	10	15	20
5° 最大照度 lux	263933.8	10557.3	2639.3	1173.0	659.8
光圈直径 m	0.1	0.4	0.8	1.2	1.6
距离 m	1	5	10	15	20
8° 最大照度 lux	117649.0	4705.9	1176.4	522.8	294.1
光圈直径 m	0.1	0.5	1.1	1.6	2.2
距离 m	1	4	6	8	10
15° 最大照度 lux	27830.2	1739.3	773.0	434.8	278.3
光圈直径 m	0.2	1.0	1.5	2.0	2.6
距离 m	1	2	3	4	5
25° 最大照度 lux	12227.2	3056.8	1358.5	764.2	489.0
光圈直径 m	0.3	0.7	1.1	1.5	1.9

型号信息/MODEL INFORMATION

产品型号 Model	尺寸 Size	功率 Power(Pcs)	电压 Voltage	色温 Color Temperature	角度 Beam Angles	控制协议 Control	芯片品牌 Chips Brand
KMTG -TJ3.0 -UX-24A/B	φ 221mm	72W(24pcs)	DC24V DC48V AC220V	2200K -6500K 1800K -3000K+4000K -6500K	8°、10°、13°、20°、40°、45°	ON/OFF DMX512★★★★	CREE OSRAM EPISTAR LUMILEDS SANAN
KMTG -TJ3.0 -UX-7A/B	φ 221mm	70W(7pcs)			5°、8°、15°、25°	0-10V DALI	
KMTG -TJ3.0 -UX-24C/D	φ 221mm	72W(24pcs)		RGB RGBW	8°、15°、25°、40°、50°	DMX512★★★★	
KMTG -TJ3.0 -UX-7C/D	φ 221mm	70W(7pcs)			8°、15°、25°		
KMTG -TJ3.0 -UX-24D	φ 221mm	144W(24pcs)		RGBW	8°、15°、25°、40°、50°		

LED投光灯/LED PROJECTOR

KMTG-TJ 4.0

太极 4.0



技术参数/PARAMETERS

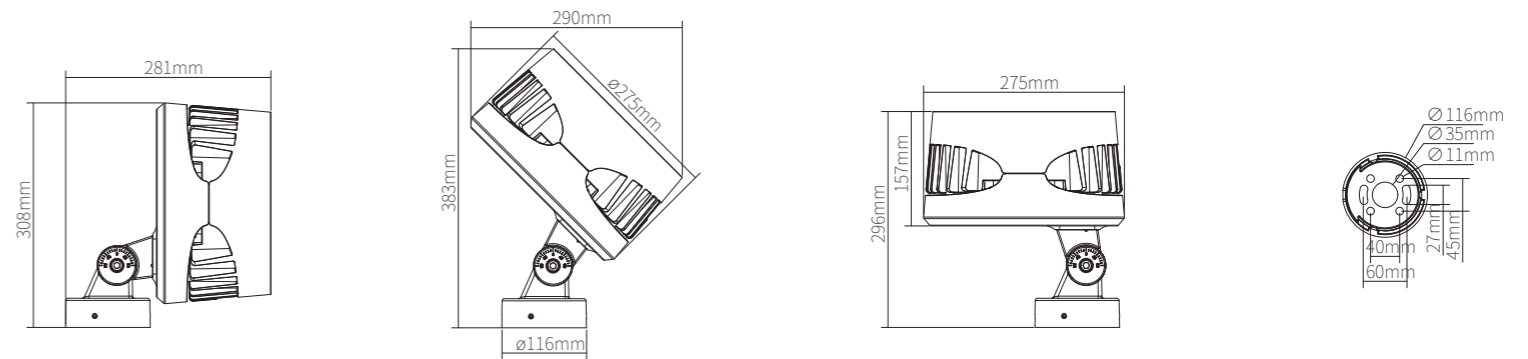
灯体材质: ADC12国标压铸铝	Housing material: ADC12 national standard die-cast aluminum
高强度铝合金支架	High strength aluminum alloy bracket
超白钢化玻璃	Ultra-clear tempered glass
表面处理: 表面金属粉漆质感喷涂	Surface Finish: Electrostatically applied polyester powder coat
安 装: 可调角度范围:垂直方向90°	Installation: Luminaires Rotation: 90°
灯具禁止安装在低洼积水处	Luminaires are not allowed to be installed in low-lying water
线 材: ON/OFF 0-10V DALI:500mm两芯1mm²止水线	Cable: ON/OFF 0-10V DALI :500mm two-core 1mm² anti-siphon cable
ON/OFF AC220V:500mm三芯1mm²电源止水线	ON/OFF AC220V :500mm three-core 1mm² anti-siphon cable
DMX512:500mm五芯2*1+3*0.3mm²电源+信号防水接头线	DIX512 :500mm five-core 2*1+3*0.3mm² self-locking connectors (Power and signal in a cable)
DMX512 AC220V:500mm三芯1mm²止水线	DMX512 AC220V:500mm three-core 1mm² (Anti-siphon cable)
+500mm四芯0.5mm²信号自锁防水接头线	+500mm four-core 0.5mm² self-locking connector (Signal cable)

产品特性/FEATURES&BENEFITS

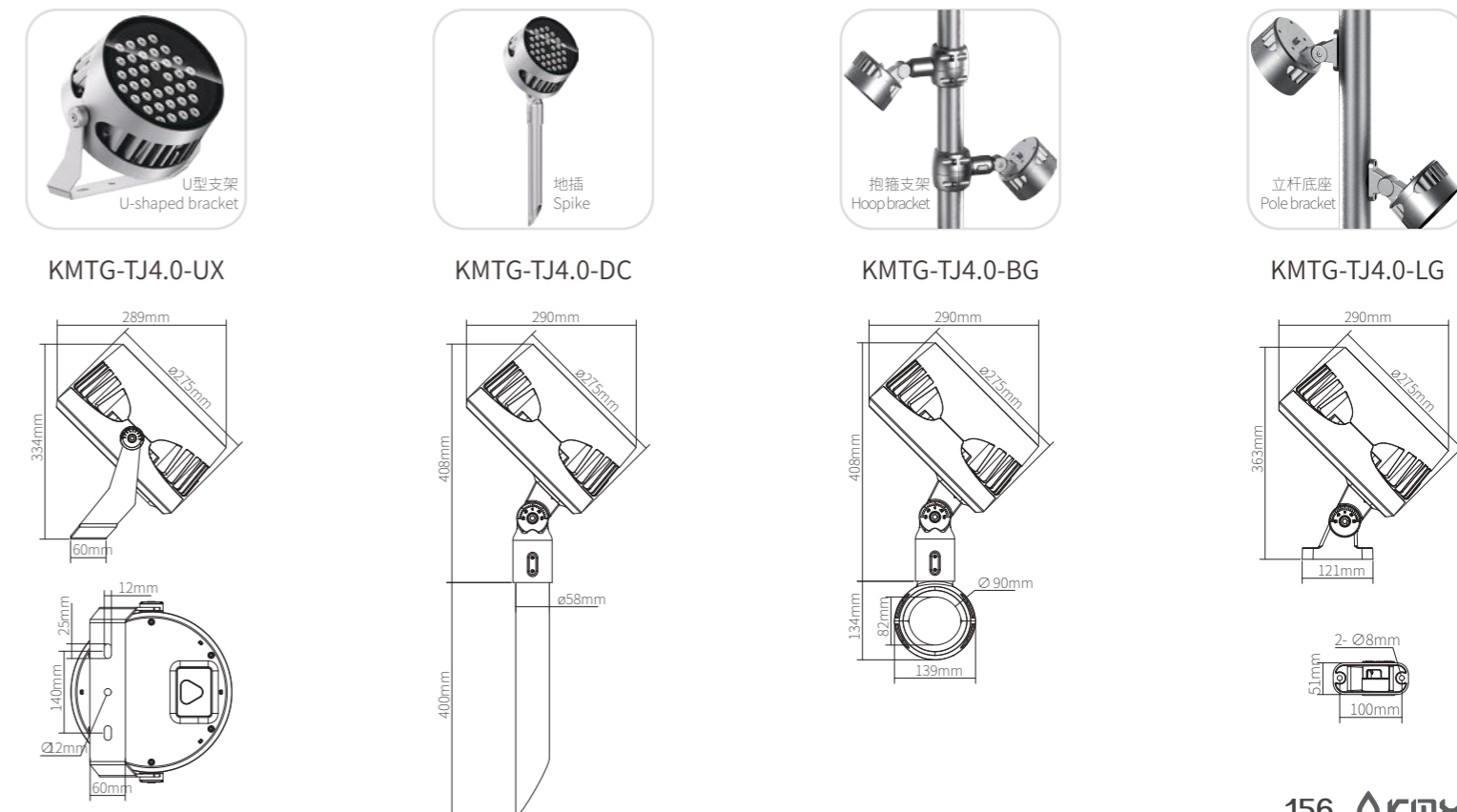
多位处理技术:支持多通道模式,频闪,CCT色温调节,总调光,RGBW/A/L模式,CMY模式,调光模式等多功能选项	Multibit Processing technique:Support multi-channel mode, stroboscopic, CCT color temperature adjustment,RGBW/A/L mode, CMY mode and other multi-functional options
个性化配件:安装配件,防眩光配件,仿生配件	Multi-funtional Accessories: Accessories for installation , glare control and blending into scenarios
宽电压输入方案:精密的方案设计,高效输出,响应节能战略	Wide Voltage Input:Precise electronic scheme, powerful reach and energy-saving
全色域管理:RGB,RGBW/A/L/C/CLA全色域控制管理,最高七色域管理	Full Gamut Management: RGB,RGBW/A/L/C/CLA gamut control management, up to seven colors management
选配过压/过流监测保护,温度监测管理,白平衡管理,多色单通道高光效管理,CCT/DUV/高亮/高显色温管理,色彩灰阶校正管理	Optional overvoltage/overcurrent monitoring protection, temperature monitoring management, white balance management, multi-color single pass high light efficiency management, CCT/DUV/ high brightness/high color temperature management, color gray level correction management



尺寸/DIMENSIONS



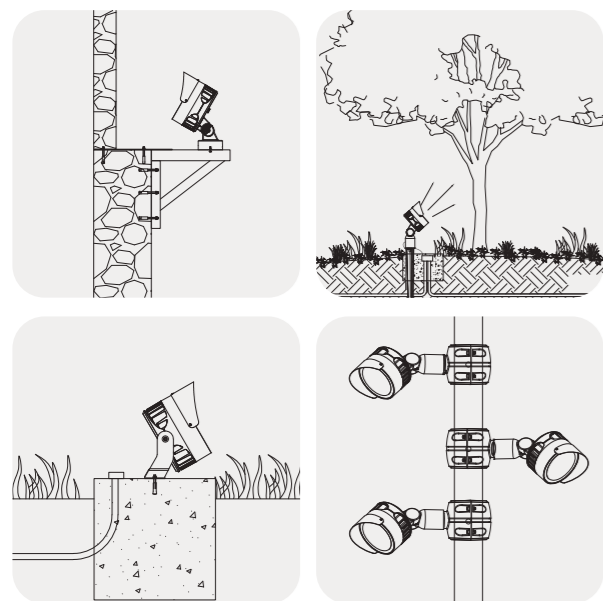
其他尺寸/OTHER DIMENSIONS



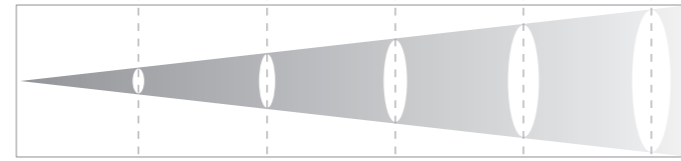
EVO 配件/EVO ACCESSORIES



安装示意图/INSTALLATION DIAGRAM



光学数据/OPTICAL DATA



功率/Power 120W

角度	距离m	1	5	10	15	20
8°	最大照度lux	140516.70	5620.6	1405.1	624.5	351.2
	光圈直径m	0.1	0.8	1.7	2.5	3.4
10°	最大照度lux	77129.0	4820.5	2142.4	1205.1	771.2
	光圈直径m	0.2	0.8	1.2	1.6	2.1
13°	最大照度lux	49734.2	3108.3	1381.5	777.1	497.3
	光圈直径m	0.2	0.8	1.3	1.7	2.1
20°	最大照度lux	24886.2	1555.3	691.2	388.8	248.8
	光圈直径m	0.4	1.6	2.4	3.3	4.1
40°	最大照度lux	8535.0	2133.7	948.3	533.4	341.4
	光圈直径m	0.7	1.5	2.3	3.1	3.9
45°	最大照度lux	8518.3	2129.5	946.4	532.4	340.7
	光圈直径m	0.8	1.7	2.6	3.4	4.3

功率/Power 120W

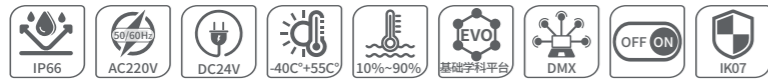
角度	距离m	1	5	10	20	30
5°	最大照度lux	369507.4	14780.3	3695.0	923.7	410.5
	光圈直径m	0.1	0.4	0.8	1.6	2.4
8°	最大照度lux	164708.7	6588.3	1647.09	732.0	411.7
	光圈直径m	0.1	0.5	1.1	1.6	2.2
15°	最大照度lux	38962.3	2435.1	1082.2	608.7	389.6
	光圈直径m	0.2	1.0	1.5	2.0	2.6
25°	最大照度lux	17118.2	1069.8	475.5	267.4	171.1
	光圈直径m	0.3	1.5	2.3	3.1	3.9

型号信息/MODEL INFORMATION

产品型号 Model	尺寸 Size	功率 Power(Pcs)	电压 Voltage	色温 Color Temperature	角度 Beam Angles	控制协议 Control	芯片品牌 Chips Brand
KMTG-TJ4.0-UX-36A/B	φ 275mm	120W(36pcs)	AC220V	2200K-6500K 1800K-3000K+4000K-6500K	8°、10°、13°、20°、40°、45°	ON/OFF DMX512★★★	CREE OSRAM EPISTAR LUMILEDS SANAN
KMTG-TJ4.0-UX-12A/B	φ 275mm	120W(12pcs)			5°、8°、15°、25°	010V DALI	
KMTG-TJ4.0-UX-36C/D	φ 275mm	120W(36pcs)		RGB RGBW	8°、15°、25°、40°、50°	DMX512★★★	
KMTG-TJ4.0-UX-12C/D	φ 275mm	120W(12pcs)			8°、15°、25°		
KMTG-TJ4.0-UX-36D	φ 275mm	240W(36pcs)		RGBW	8°、15°、25°、40°、50°		

LED投光灯/LED PROJECTOR

KMTG-YX 1.0
玉玺 1.0



技术参数/PARAMETERS

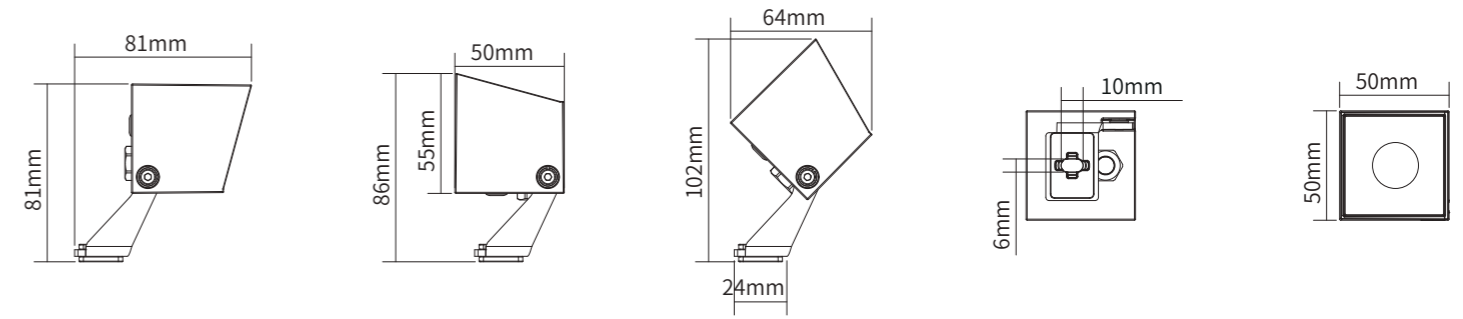
灯体材质: ADC12国标压铸铝	Housing material: ADC12 national standard die-cast aluminum
高强度铝合金支架	High strength aluminum alloy bracket
超白钢化玻璃	Ultra-clear tempered glass
表面处理: 表面金属漆质感喷涂	Surface Finish: Electrostatically applied polyester powder coat
安 装: 可调角度范围:垂直方向90°	Installation: Luminaires Rotation: 90°
灯具禁止安装在低洼积水处	Luminaires are not allowed to be installed in low-lying water
线 材: ON/OFF: 300mm两芯1mm ² 止水线	Cable: ON/OFF: 300mm two-core 1mm ² anti-siphon cable (Power cable)
ON/OFF AC220V: 300mm三芯1mm ² 止水线	ON/OFF AC220V: 300mm three-core 1mm ² anti-siphon cable (power cable)
DMX512: 300mm六芯2*0.75+4*0.3mm ² PVC线	DMX512: 300mm six-core 2*0.75+4*0.3mm ² (Power and data in one cable)
五芯5*1mm ² 大头自锁插三通线	300mm five-core 5*1mm ² self-locking tee cable (Power and signal in a cable)

产品特性/FEATURES&BENEFITS

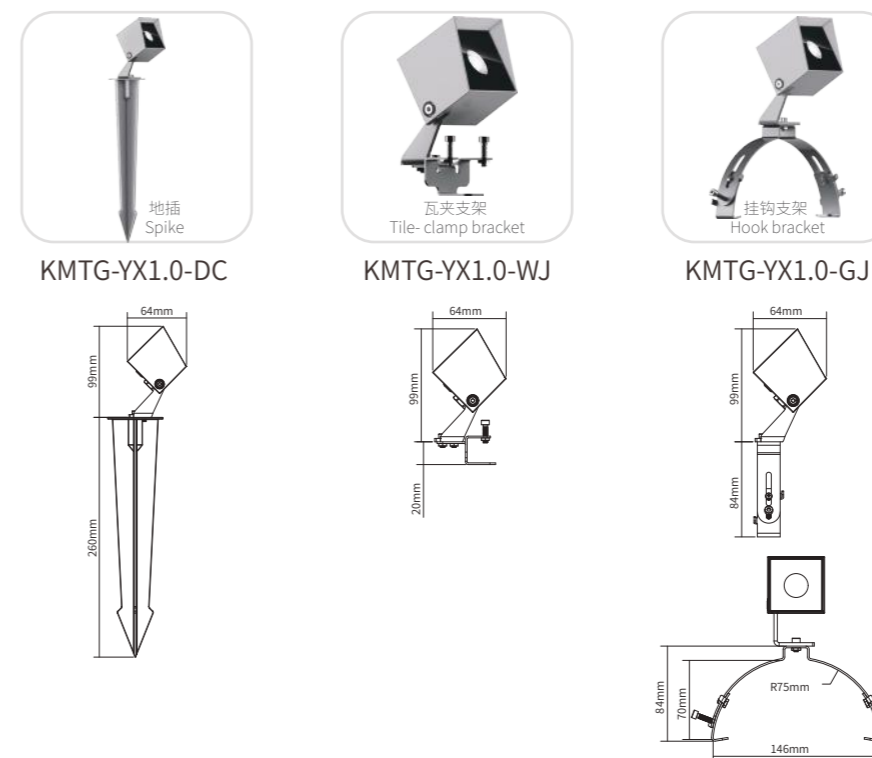
小巧精致, 易隐藏, 完美融入安装场景	Small size and delicate, easy to hide, perfect into the installation scene
无尘永续设计: 结构坚固, 灯具出光面不积尘	Sustainable Design: Sturdy construction and glass surface without dust
宽电压输入方案: 精密的方案设计, 高效输出, 响应节能战略	Wide Voltage Input: Precise electronic scheme, powerful reach and energy-saving.
支持多种数据传输协议DMX512	Support a variety of data transmission protocol :DMX512
多位处理技术: 支持亮度调节, 内置亮灯模式设置, 自动编码	Multi-bit processing technology: Support brightness adjustment, built-in lighting mode setting, automatic coding



尺寸/DIMENSIONS



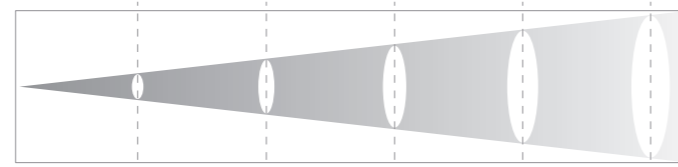
其他尺寸/OTHER DIMENSIONS



EVO 配件/EVO ACCESSORIES



光学数据/OPTICAL DATA

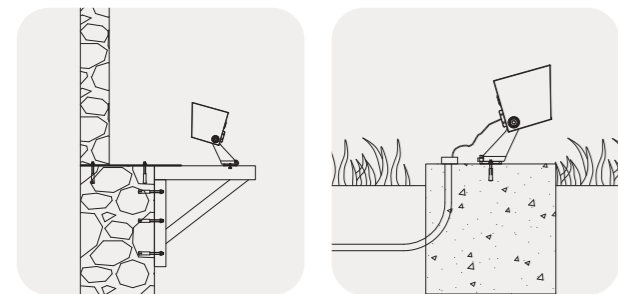


距离m	1	1.5	2	2.5	3
8° 照度lux	4875.34	2166.82	1218.84	780.05	541.70
光圈直径m	0.14	0.21	0.28	0.35	0.42
10° 照度lux	1998.11	888.05	499.53	319.70	222.01
光圈直径m	0.20	0.30	0.41	0.51	0.61
13° 照度lux	1640.22	728.99	410.06	262.44	182.25
光圈直径m	0.20	0.31	0.41	0.51	0.61
20° 照度lux	745.53	331.35	186.38	119.28	82.84
光圈直径m	0.38	0.57	0.75	0.94	1.13
40° 照度lux	290.66	129.18	72.67	46.51	32.30
光圈直径m	0.67	1.01	1.34	1.68	2.01
45° 照度lux	262.39	116.62	65.60	41.98	29.15
光圈直径m	0.80	1.20	1.61	2.01	2.41

型号信息/MODEL INFORMATION

产品型号 Model	尺寸 Size	功率 Power(Pcs)	电压 Voltage	色温 Color Temperature	角度 Beam Angles	控制协议 Control	芯片品牌 Chips Brand
KMTG-YX1.0-DB-1A	50mm*50mm*H86mm	3W(1pcs)	AC220V DC24V	2200K-6500K	8°、10°、13°、20°、 40°、45°	ON/OFF	CREE OSRAM EPISTAR LUMILEDS SANAN
KMTG-YX1.0-DB-1A/B	50mm*50mm*H86mm	3W(1pcs)	DC24V	2200K-6500K 1800K-3000K+4000K-6500K	15°、25°、40°、50°	DMX512	
KMTG-YX1.0-DB-1C	50mm*50mm*H86mm	3W(1pcs)		RGB			
KMTG-YX1.0-DB-1D	50mm*50mm*H86mm	5W(1pcs)	RGBW				

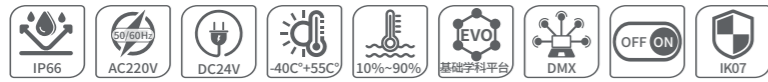
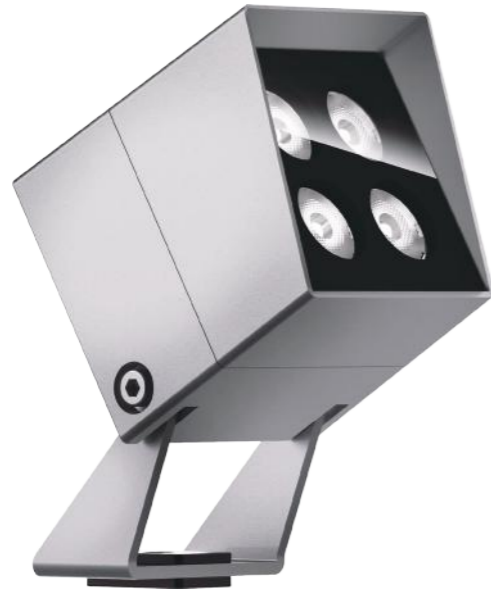
安装示意图/INSTALLATION DIAGRAM



LED投光灯/LED PROJECTOR

KMTG-YX 2.1

玉玺 2.1

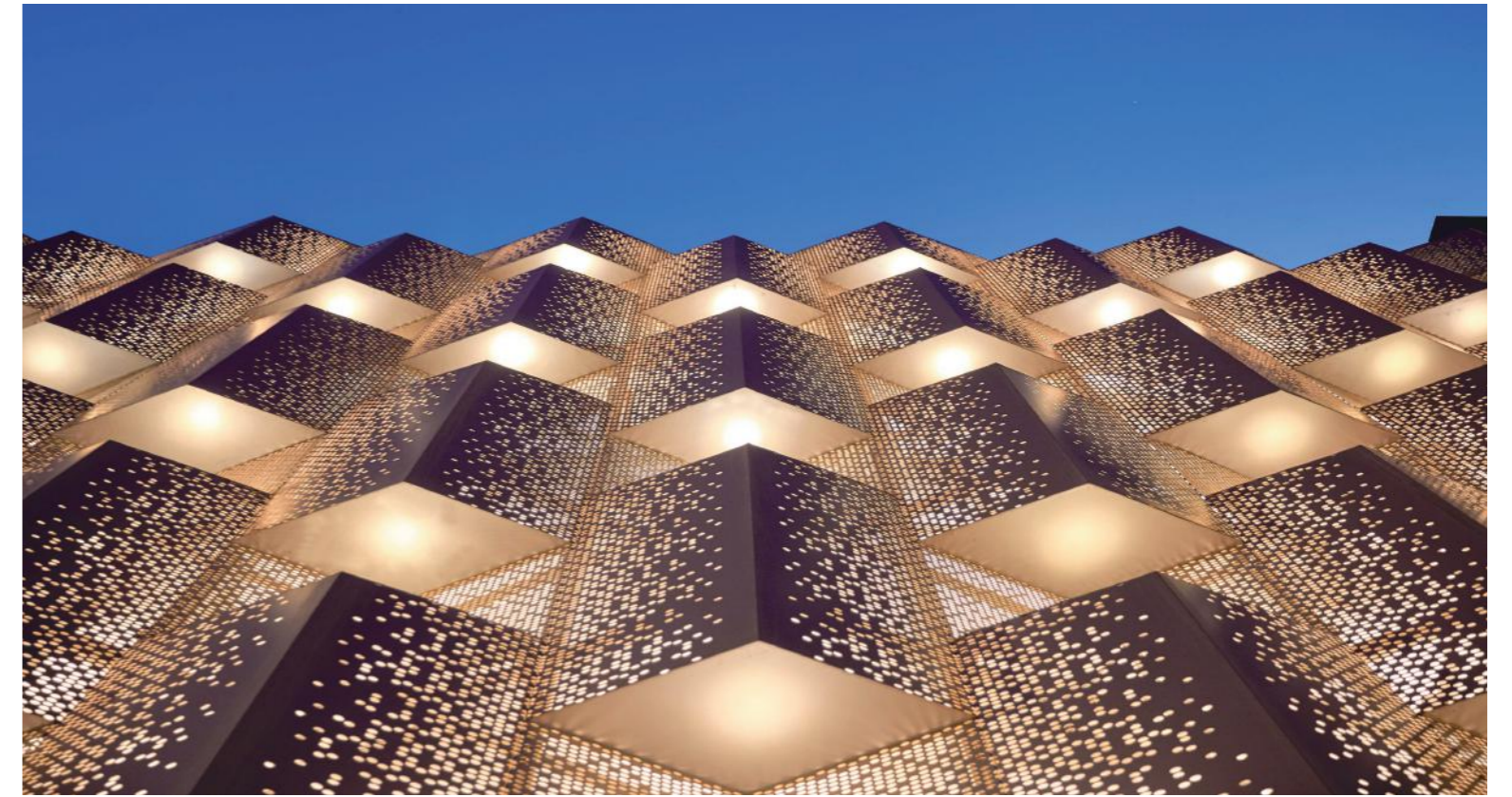


技术参数/PARAMETERS

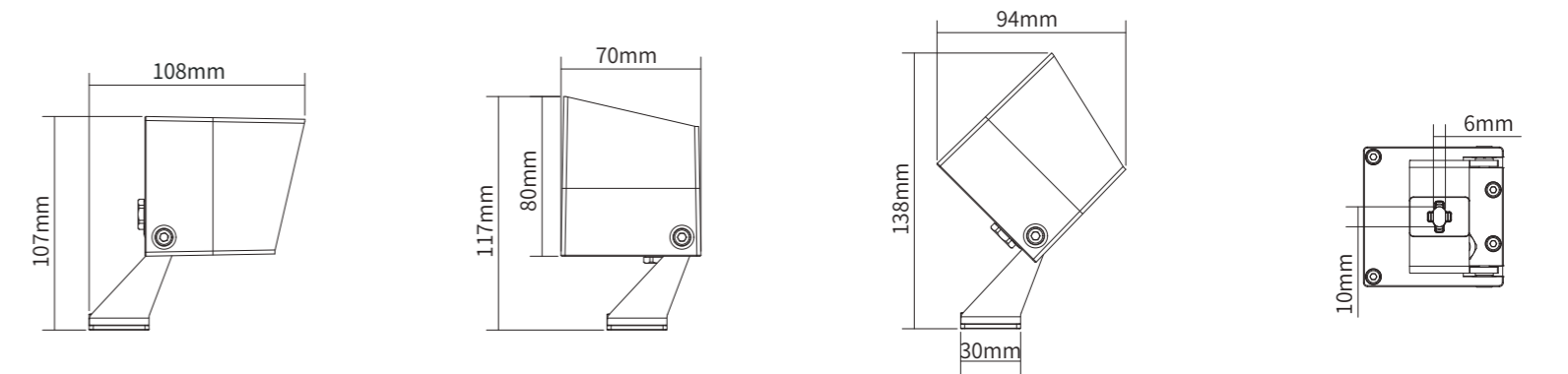
灯体材质: ADC12国标压铸铝	Housing material: ADC12 national standard die-cast aluminum
高强度铝合金支架	High strength aluminum alloy bracket
超白钢化玻璃	Ultra-clear tempered glass
表面处理: 表面金属粉漆质感喷涂	Surface Finish: Electrostatically applied polyester powder coat
安 装: 可调角度范围:垂直方向90°	Installation: Luminaires Rotation: 90°
灯具禁止安装在低洼积水处	Luminaires are not allowed to be installed in low-lying water
线 材: ON/OFF: 300mm两芯1mm ² 止水线	Cable: ON/OFF: 300mm two-core 1mm ² anti-siphon cable (Power cable)
ON/OFF AC220V: 300mm三芯1mm ² 止水线	ON/OFF AC220V: 300mm three-core 1mm ² anti-siphon cable (Power cable)
DMX512: 300mm六芯2*0.75+4*0.3mm ² PVC线	DMX512: 300mm six-core 2*0.75+4*0.3mm ² (Power and signal in a cable)
五芯5*1mm ² 大头自锁插三通线	300mm five-core 5*1mm ² self-locking tee cable (Power and signal in a cable)

产品特性/FEATURES&BENEFITS

小巧精致, 易隐藏, 完美融入安装场景	Small size and delicate, easy to hide, perfect into the installation scene
无尘永续设计: 结构坚固, 灯具出光面不积尘	Sustainable Design: Sturdy construction and glass surface without dust
宽电压输入方案: 精密的方案设计, 高效输出, 响应节能战略	Wide Voltage Input: Precise electronic scheme, powerful reach and energy-saving.
支持多种数据传输协议DMX512	Support a variety of data transmission protocol :DMX512
多位处理技术: 支持亮度调节, 内置亮灯模式设置, 自动编码	Multi-bit processing technology: Support brightness adjustment, built-in lighting mode setting, automatic coding



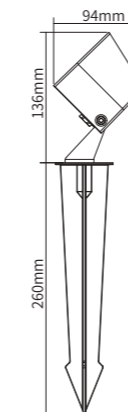
尺寸/DIMENSIONS



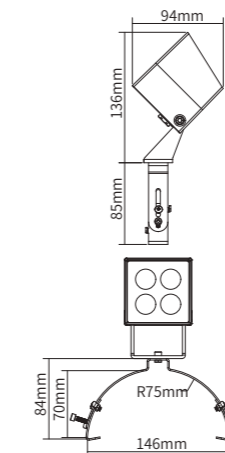
其他尺寸/OTHER DIMENSIONS



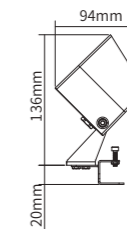
KMTG-YX2.1-DC



KMTG-YX2.1-GG



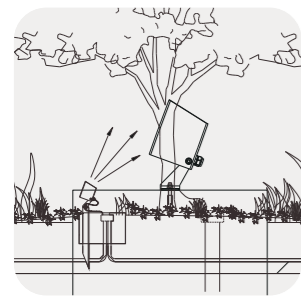
KMTG-YX2.1-WJ



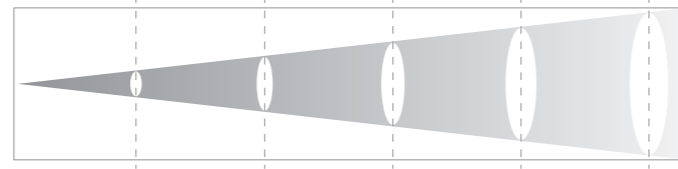
EVO 配件/EVO ACCESSORIES



安装示意图/INSTALLATION DIAGRAM



光学数据/OPTICAL DATA



功率/Power 8W

距离m	1	4	6	8	10
5° 照度lux	42684.58	2667.79	1185.68	666.95	426.85
光圈直径	0.08	0.32	0.49	0.65	0.81
8° 照度lux	19436.85	1214.80	539.91	303.70	194.37
光圈直径	0.11	0.44	0.65	0.87	1.09
15° 照度lux	4656.83	1164.21	517.43	291.05	186.27
光圈直径	0.26	0.52	0.79	1.05	1.31
25° 照度lux	2180.13	545.03	242.24	136.26	87.21
光圈直径	0.37	0.74	1.10	1.47	1.84

功率/Power 10W

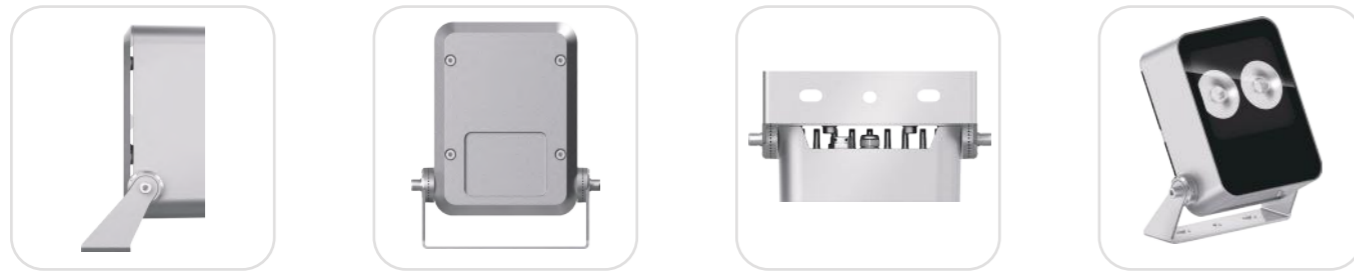
距离m	1	4	6	8	10
8° 照度lux	13966.94	872.93	387.97	218.23	139.67
光圈直径	0.14	0.55	0.82	1.09	1.36
10° 照度lux	5860.91	1465.23	651.21	366.31	234.44
光圈直径	0.21	0.41	0.62	0.83	1.03
13° 照度lux	4790.98	1197.75	532.33	299.44	191.64
光圈直径	0.21	0.41	0.62	0.83	1.04
20° 照度lux	2222.15	555.54	246.91	138.88	88.89
光圈直径	0.38	0.75	1.13	1.51	1.88
40° 照度lux	936.40	234.10	104.04	58.53	37.46
光圈直径	0.61	1.22	1.82	2.43	3.04
45° 照度lux	780.02	195.01	86.67	48.75	31.20
光圈直径	0.81	1.63	2.44	3.26	4.07

型号信息/MODEL INFORMATION

产品型号 Model	尺寸 Size	功率 Power(Pcs)	电压 Voltage	色温 Color Temperature	角度 Beam Angles	控制协议 Control	芯片品牌 Chips Brand
KMTG-YX2.1-GJ-1A	70mm*70mm*H117mm	8W(1pcs)	AC220V DC24V	2200K-6500K	5°、8°、15°、25°	ON/OFF	CREE OSRAM EPISTAR LUMILEDS SANAN
KMTG-YX2.1-GJ-1D	70mm*70mm*H117mm	15W(1pcs)	DC24V	RGBW	8°、15°、25°	DMX512	
KMTG-YX2.1-GJ-4A	70mm*70mm*H117mm	10W(4pcs)	AC220V DC24V	2200K-6500K	8°、10°、13°、20°、 40°、45°	ON/OFF	
KMTG-YX2.1-GJ-4A/B	70mm*70mm*H117mm	10W(4pcs)	DC24V	2200K-6500K 1800K-3000K+4000K-6500K	8°、10°、13°、20°、 40°、45°	DMX512	
KMTG-YX2.1-GJ-4C	70mm*70mm*H117mm	12W(4pcs)	DC24V	RGB	15°、25°、40°、50°		
KMTG-YX2.1-GJ-4D	70mm*70mm*H117mm	15W(4pcs)	DC24V	RGBW	15°、25°、40°、50°		

LED投光灯/LED PROJECTOR

KMTG-ZQ 1.0
朱雀 1.0

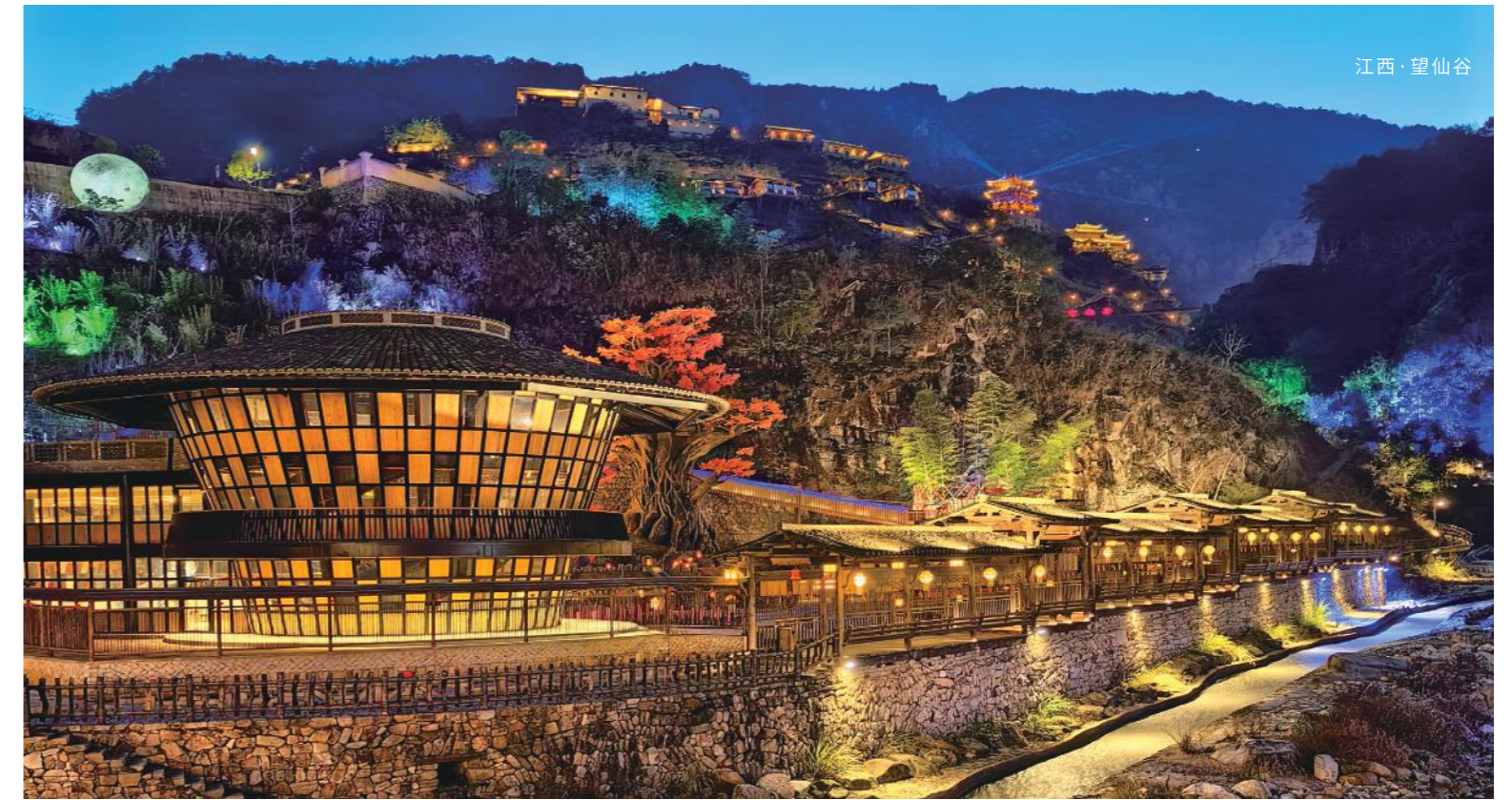


技术参数/PARAMETERS

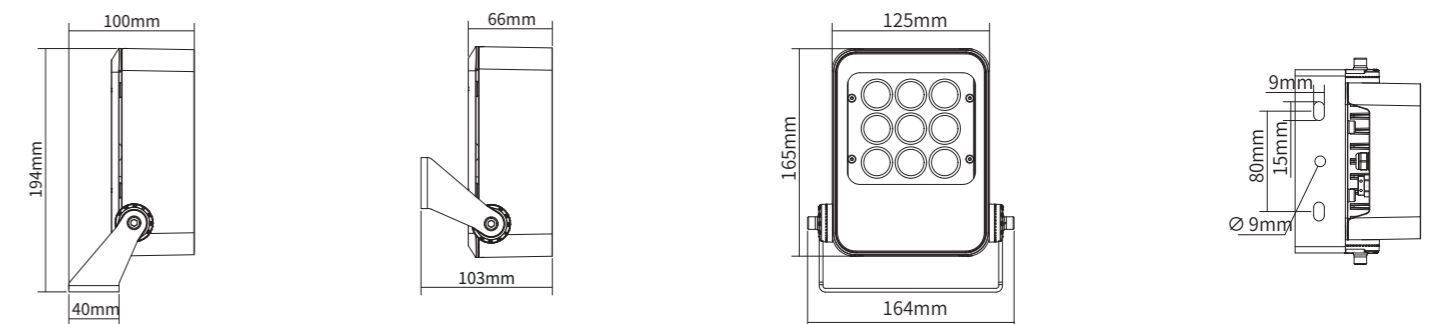
灯体材质: ADC12国标压铸铝	Housing material: ADC12 national standard die-cast aluminum
高强度铝合金支架	High strength aluminum alloy bracket
超白钢化玻璃	Ultra-clear tempered glass
表面处理: 表面金属粉质感喷涂	Surface Finish: Electrostatically applied polyester powder coat
安 装: 可调角度范围:垂直方向90°	Installation: Luminaires Rotation: 90°
灯具禁止安装在低洼积水处	Luminaires are not allowed to be installed in low-lying water
线 材: ON/OFF 0-10V DALI:500mm两芯1mm²止水线	Cable: ON/OFF 0-10V DALI :500mm two-core 1mm ² anti-siphon cable
ON/OFF AC220V:500mm三芯1mm²电源止水线	ON/OFF AC220V :500mm three-core 1mm ² anti-siphon cable
DMX512:500mm五芯2*1+3*0.3mm²电源+信号防水接头线	DIX512 :500mm five-core 2*1+3*0.3mm ² self-locking connectors (power and signal in a cable)
DMX512 AC220V:500mm三芯1mm²止水线	DMX512 AC220V:500mm three-core 1mm ² (anti-siphon cable)
+500mm四芯0.5mm²信号自锁防水接头线	+500mm four-core 0.5mm ² self-locking connector (signal cable)

产品特性/FEATURES&BENEFITS

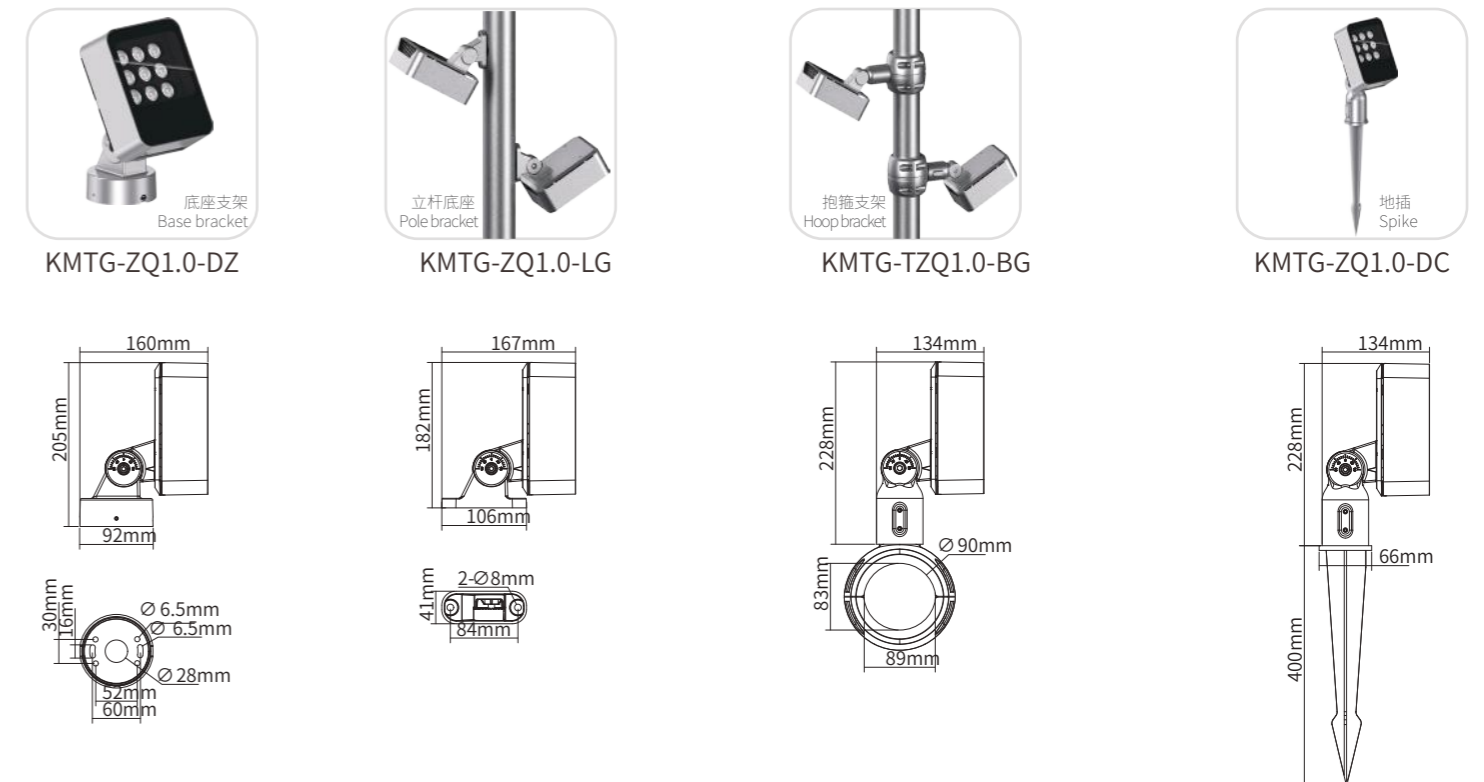
多位处理技术:支持多通道模式, 频闪, CCT色温调节, 总调光, RGBW/A/L模式, CMY模式, 调光模式等多功能选项	Multibit Processing technique: Support multi-channel mode, stroboscopic, CCT color temperature adjustment, RGBW/A/L mode, CMY mode and other multi-functional options
个性化配件: 安装配件, 防眩光配件, 仿生配件	Multi-funtional Accessories: Accessories for installation, glare control and blending into scenarios
宽电压输入方案: 精密的方案设计, 高效输出, 响应节能战略	Wide Voltage Input: Precise electronic scheme, powerful reach and energy-saving
全色域管理: RGB, RGBW/A/L/C/CLA全色域控制管理, 最高七色域管理	Full Gamut Management: RGB, RGBW/A/L/C/CLA gamut control management, up to seven colors management
选配过压/过流监测保护, 温度监测管理, 白平衡管理, 多色单通道高光效管理, CCT/DUV/高亮/高显色温管理, 色彩灰阶校正管理	Optional overvoltage/overcurrent monitoring protection, temperature monitoring management, white balance management, multi-color single pass high light efficiency management, CCT/DUV/ high brightness/high color temperature management, color gray level correction management



尺寸/DIMENSIONS



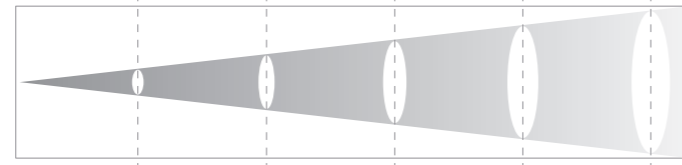
其他尺寸/OTHER DIMENSIONS



EVO 配件/EVO ACCESSORIES



光学数据/OPTICAL DATA



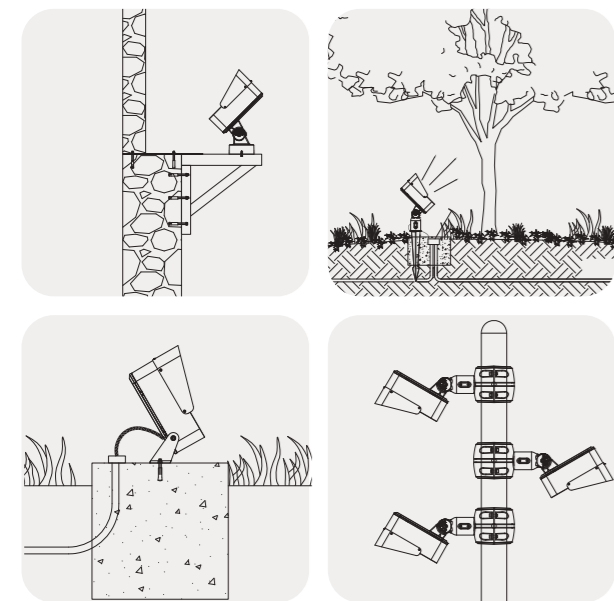
功率/Power 24W

距离m	1	4	6	8	10
8° 照度lux	38674.1	2417.1	1074.2	604.2	386.7
光圈直径m	0.1	0.7	1.0	1.4	1.7
距离m	1	4	6	8	10
10° 照度lux	21316.6	1332.2	592.1	333.0	213.1
光圈直径m	0.2	0.8	1.2	1.6	2.0
距离m	1	2	3	4	5
13° 照度lux	14628.6	3657.1	1625.4	914.2	585.1
光圈直径m	0.2	0.4	0.6	0.8	1.0
距离m	1	2	3	4	5
20° 照度lux	6717.5	1679.3	746.3	419.8	268.7
光圈直径m	0.4	0.8	1.2	1.6	2.0
距离m	1	2	3	4	5
40° 照度lux	2294.1	573.5	254.9	143.3	91.7
光圈直径m	0.8	1.6	2.4	3.2	4.0
距离m	1	2	3	4	5
45° 照度lux	2294.8	573.7	254.9	143.4	91.7
光圈直径m	0.8	1.7	2.6	3.4	4.3

功率/Power 16W

距离m	1	4	6	8	10
5° 照度lux	103630.5	6476.9	2878.6	1619.2	1036.3
光圈直径m	0.1	0.3	0.4	0.6	0.8
距离m	1	4	6	8	10
8° 照度lux	47776.7	2986.0	1327.1	746.5	477.7
光圈直径m	0.1	0.4	0.6	0.8	1.1
距离m	1	2	3	4	5
15° 照度lux	10443.9	2610.9	1160.4	652.7	417.7
光圈直径m	0.2	0.5	0.8	1.0	1.3
距离m	1	2	3	4	5
25° 照度lux	4976.6	1244.1	552.9	311.0	199.0
光圈直径m	0.3	0.76	1.1	1.5	1.9

安装示意图/INSTALLATION DIAGRAM

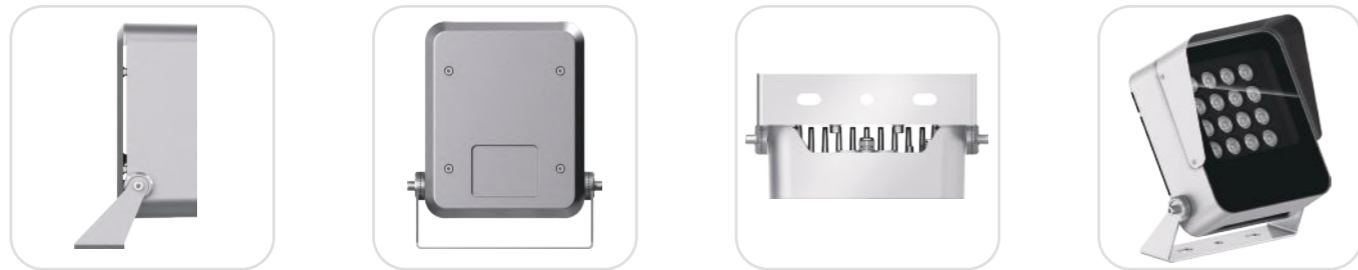


型号信息/MODEL INFORMATION

产品型号 Model	尺寸 Size	功率 Power(Pcs)	电压 Voltage	色温 Color Temperature	角度 Beam Angles	控制协议 Control	芯片品牌 Chips Brand
KMTG-ZQ1.0-UX-9A/B	165*125*66mm	24W(9pcs)	DC24V DC48V AC220V	2200K-6500K 1800K-3000K+4000K-6500K	8°、10°、13°、20°、40°、45°	ON/OFF DMX512★★★★	CREE OSRAM EPISTAR LUMILEDS SANAN
KMTG-ZQ1.0-UX-2A/B	165*125*66mm	16W(2pcs)			5°、8°、15°、25°	0-10V DALI	
KMTG-ZQ1.0-UX-9C/D	165*125*66mm	24W(9pcs)		RGB RGBW	8°、15°、25°、40°、50°	DMX512★★★★	
KMTG-ZQ1.0-UX-2C/D	165*125*66mm	16W(2pcs)		RGBW			
KMTG-ZQ1.0-UX-9D	165*125*66mm	36W(9pcs)		RGBW			

LED投光灯/LED PROJECTOR

KMTG-ZQ 2.0
朱雀 2.0



技术参数/PARAMETERS

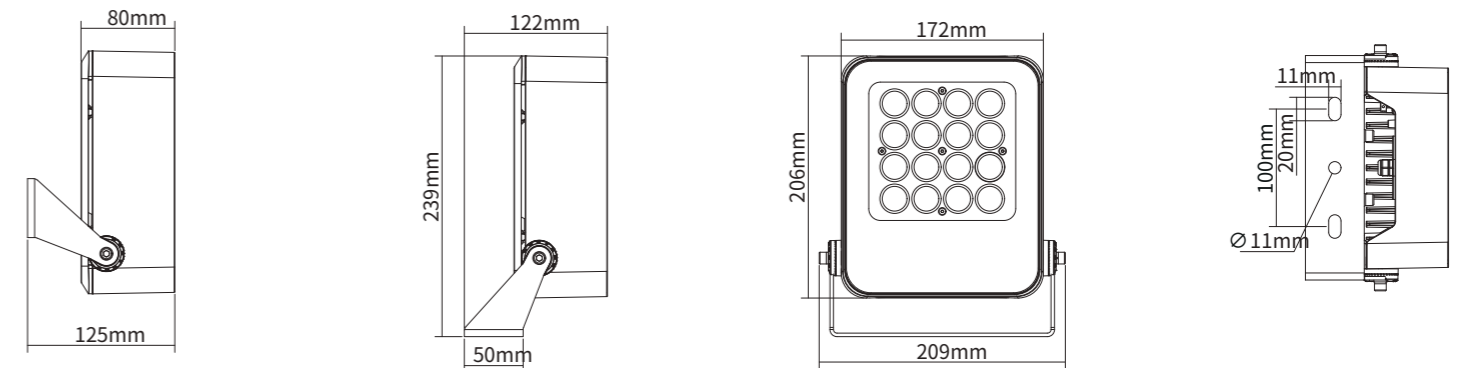
灯体材质: ADC12国标压铸铝	Housing material: ADC12 national standard die-cast aluminum
高强度铝合金支架	High strength aluminum alloy bracket
超白钢化玻璃	Ultra-clear tempered glass
表面处理: 表面金属粉质感喷涂	Surface Finish: Electrostatically applied polyester powder coat
安 装: 可调角度范围:垂直方向90°	Installation: Luminaires Rotation: 90°
灯具禁止安装在低洼积水处	Luminaires are not allowed to be installed in low-lying water
线 材: ON/OFF 0-10V DALI:500mm两芯1mm ² 止水线	Cable: ON/OFF 0-10V DALI :500mm two-core 1mm ² anti-siphon cable
ON/OFF AC220V:500mm三芯1mm ² 电源止水线	ON/OFF AC220V :500mm three-core 1mm ² anti-siphon cable
DMX512:500mm五芯2*1+3*0.3mm ² 电源+信号防水接头线	DIX512 :500mm five-core 2*1+3*0.3mm ² self-locking connectors (power and signal in a cable)
DMX512 AC220V:500mm三芯1mm ² 止水线	DMX512 AC220V:500mm three-core 1mm ² (anti-siphon cable)
+500mm四芯0.5mm ² 信号自锁防水接头线	+500mm four-core 0.5mm ² self-locking connector (signal cable)

产品特性/FEATURES&BENEFITS

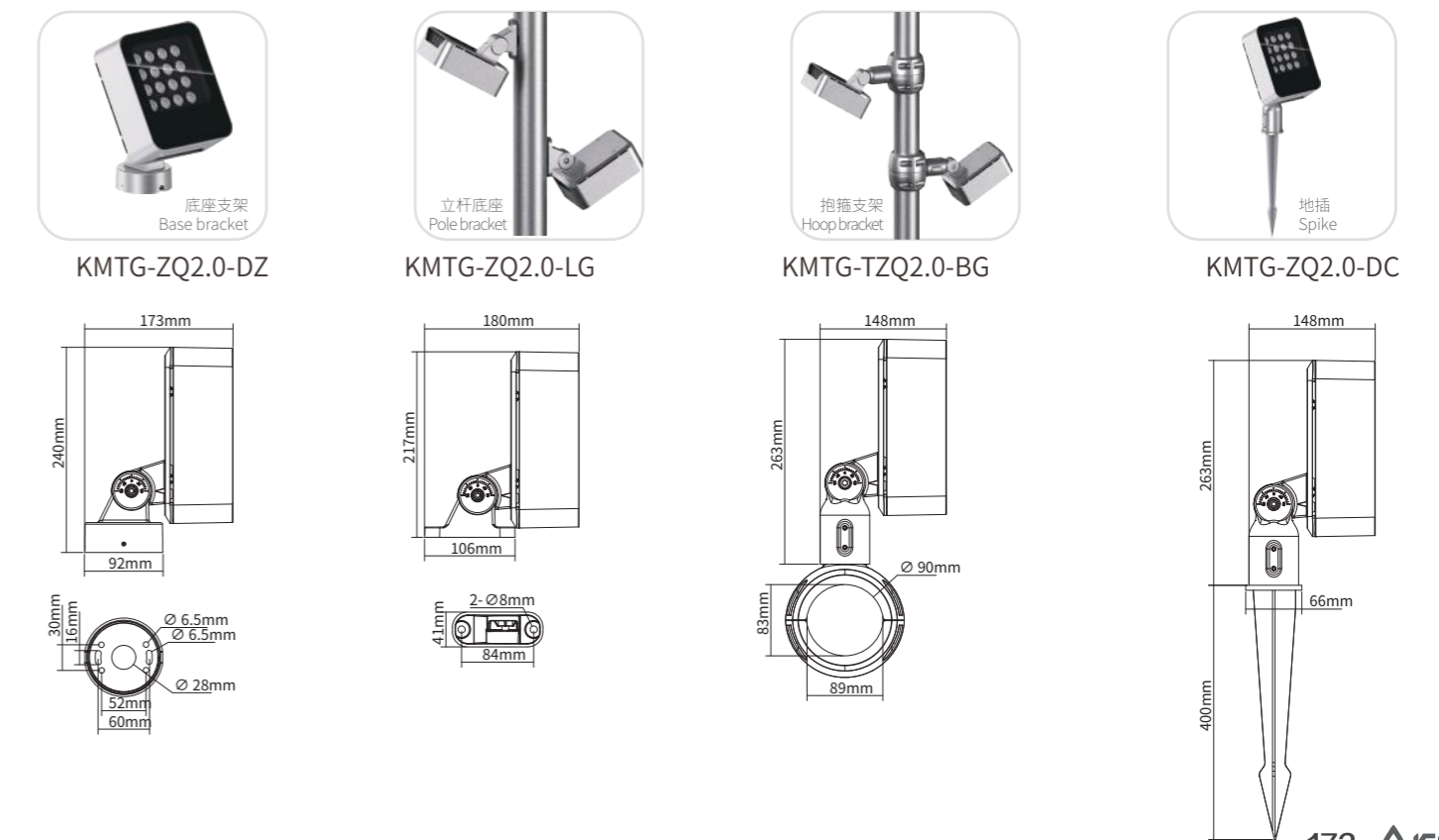
多位处理技术:支持多通道模式,频闪,CCT色温调节,总调光,RGBW/A/L模式,CMY模式,调光模式等多功能选项	Multibit Processing technique:Support multi-channel mode, stroboscopic, CCT color temperature adjustment,RGBW/A/L mode, CMY mode and other multi-functional options
个性化配件:安装配件,防眩光配件,仿生配件	Multi-funtional Accessories: Accessories for installation , glare control and blending into scenarios
宽电压输入方案:精密的方案设计,高效输出,响应节能战略	Wide Voltage Input:Precise electronic scheme, powerful reach and energy-saving
全色域管理:RGB,RGBW/A/L/C/CLA全色域控制管理,最高七色域管理	Full Gamut Management: RGB,RGBW/A/L/C/CLA gamut control management, up to seven colors management
选配过压/过流监测保护,温度监测管理,白平衡管理,多色单通道高光效管理,CCT/DUV/高亮/高显色温管理,色彩灰阶校正管理	Optional overvoltage/overcurrent monitoring protection, temperature monitoring management, white balance management, multi-color single pass high light efficiency management, CCT/DUV/ high brightness/high color temperature management, color gray level correction management



尺寸/DIMENSIONS



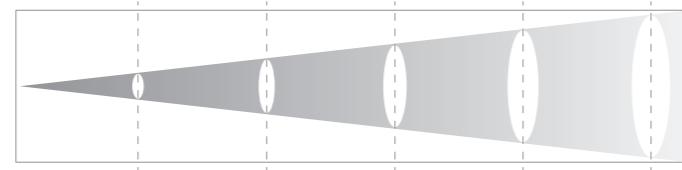
其他尺寸/OTHER DIMENSIONS



EVO 配件/EVO ACCESSORIES



光学数据/OPTICAL DATA



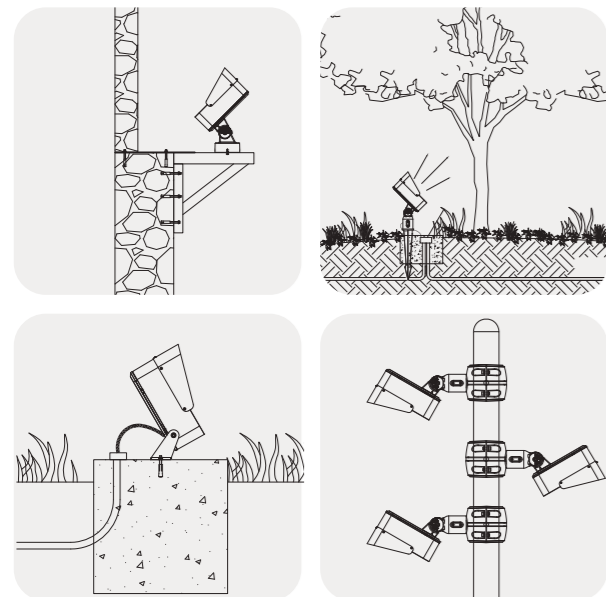
功率/Power 48W

距离m	1	4	6	8	10
8° 照度lux	77206.9	4825.4	2144.6	1206.3	772.0
光圈直径m	0.1	0.6	1.0	1.3	1.7
距离m	1	4	6	8	10
10° 照度lux	42378.6	2648.6	1177.1	662.1	423.7
光圈直径m	0.2	0.8	1.2	1.6	2.1
距离m	1	2	3	4	5
13° 照度lux	27326.4	6831.6	3036.2	1707.9	1093.0
光圈直径m	0.22	0.4	0.6	0.8	1.0
距离m	1	2	3	4	5
20° 照度lux	13673.7	3418.4	1519.3	854.6	546.9
光圈直径m	0.4	0.8	1.2	1.6	2.0
距离m	1	2	3	4	5
40° 照度lux	4689.5	1172.4	521.0	293.1	187.5
光圈直径m	0.7	1.5	2.3	3.1	3.9
距离m	1	2	3	4	5
45° 照度lux	4680.4	1170.1	520.0	292.5	187.2
光圈直径m	0.8	1.7	2.6	3.4	4.3

功率/Power 32W

距离m	1	4	6	8	10
5° 照度lux	203026.06	12689.13	5639.61	3172.28	2030.26
光圈直径m	0.08	0.33	0.49	0.66	0.82
距离m	1	4	6	8	10
8° 照度lux	90499.30	5656.21	2513.87	1414.05	904.99
光圈直径m	0.11	0.45	0.67	0.89	1.12
距离m	1	2	3	4	5
15° 照度lux	21407.88	5351.97	2378.65	1337.99	856.32
光圈直径m	0.26	0.52	0.78	1.04	1.30
距离m	1	2	3	4	5
25° 照度lux	9405.61	2351.40	1045.07	587.85	376.22
光圈直径m	0.39	0.79	1.18	1.58	1.97

安装示意图/INSTALLATION DIAGRAM

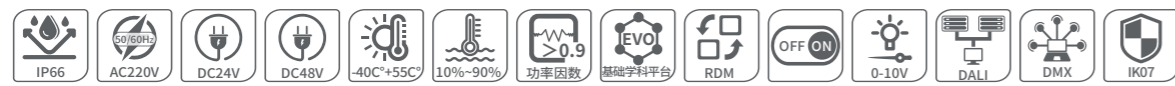


型号信息/MODEL INFORMATION

产品型号 Model	尺寸 Size	功率 Power(Pcs)	电压 Voltage	色温 Color Temperature	角度 Beam Angles	控制协议 Control	芯片品牌 Chips Brand
KMTG-ZQ2.0-UX-16A/B	206*172*80mm	48W(16pcs)	DC24V DC48V AC220V	2200K-6500K 1800K-3000K+4000K-6500K	8°、10°、13°、20°、40°、45°	ON/OFF DMX512★★★ 0-10V DALI	CREE OSRAM EPISTAR LUMILEDS SANAN
KMTG-ZQ2.0-UX-4A/B	206*172*80mm	32W(4pcs)			5°、8°、15°、25°		
KMTG-ZQ2.0-UX-16C/D	206*172*80mm	48W(16pcs)		RGB RGBW	8°、15°、25°、40°、50°	DMX512★★★	
KMTG-ZQ2.0-UX-4C/D	206*172*80mm	40W(4pcs)		8°、15°、25°、40°、50°			
KMTG-ZQ2.0-UX-16D	206*172*80mm	72W(16pcs)		RGBW	8°、15°、25°、40°、50°		

LED投光灯/LED PROJECTOR

KMTG-ZQ 3.0
朱雀 3.0



技术参数/PARAMETERS

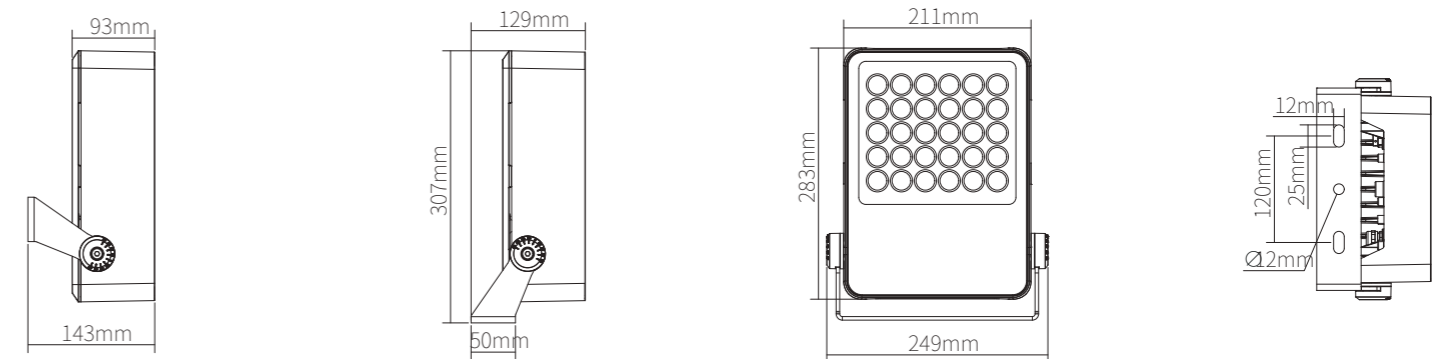
灯体材质: ADC12国标压铸铝	Housing material: ADC12 national standard die-cast aluminum
高强度铝合金支架	High strength aluminum alloy bracket
超白钢化玻璃	Ultra-clear tempered glass
表面处理: 表面金属粉质感喷涂	Surface Finish: Electrostatically applied polyester powder coat
安 装: 可调角度范围:垂直方向90°	Installation: Luminaires Rotation: 90°
灯具禁止安装在低洼积水处	Luminaires are not allowed to be installed in low-lying water
线 材: ON/OFF 0-10V DALI:500mm两芯1mm²止水线	Cable: ON/OFF 0-10V DALI :500mm two-core 1mm² anti-siphon cable
ON/OFF AC220V:500mm三芯1mm²电源止水线	ON/OFF AC220V :500mm three-core 1mm² anti-siphon cable
DMX512:500mm五芯2*1+3*0.3mm²电源+信号防水接头线	DIX512 :500mm five-core 2*1+3*0.3mm² self-locking connectors (power and signal in a cable)
DMX512 AC220V:500mm三芯1mm²止水线	DMX512 AC220V:500mm three-core 1mm² (anti-siphon cable)
+500mm四芯0.5mm²信号自锁防水接头线	+500mm four-core 0.5mm² self-locking connector (signal cable)

产品特性/FEATURES&BENEFITS

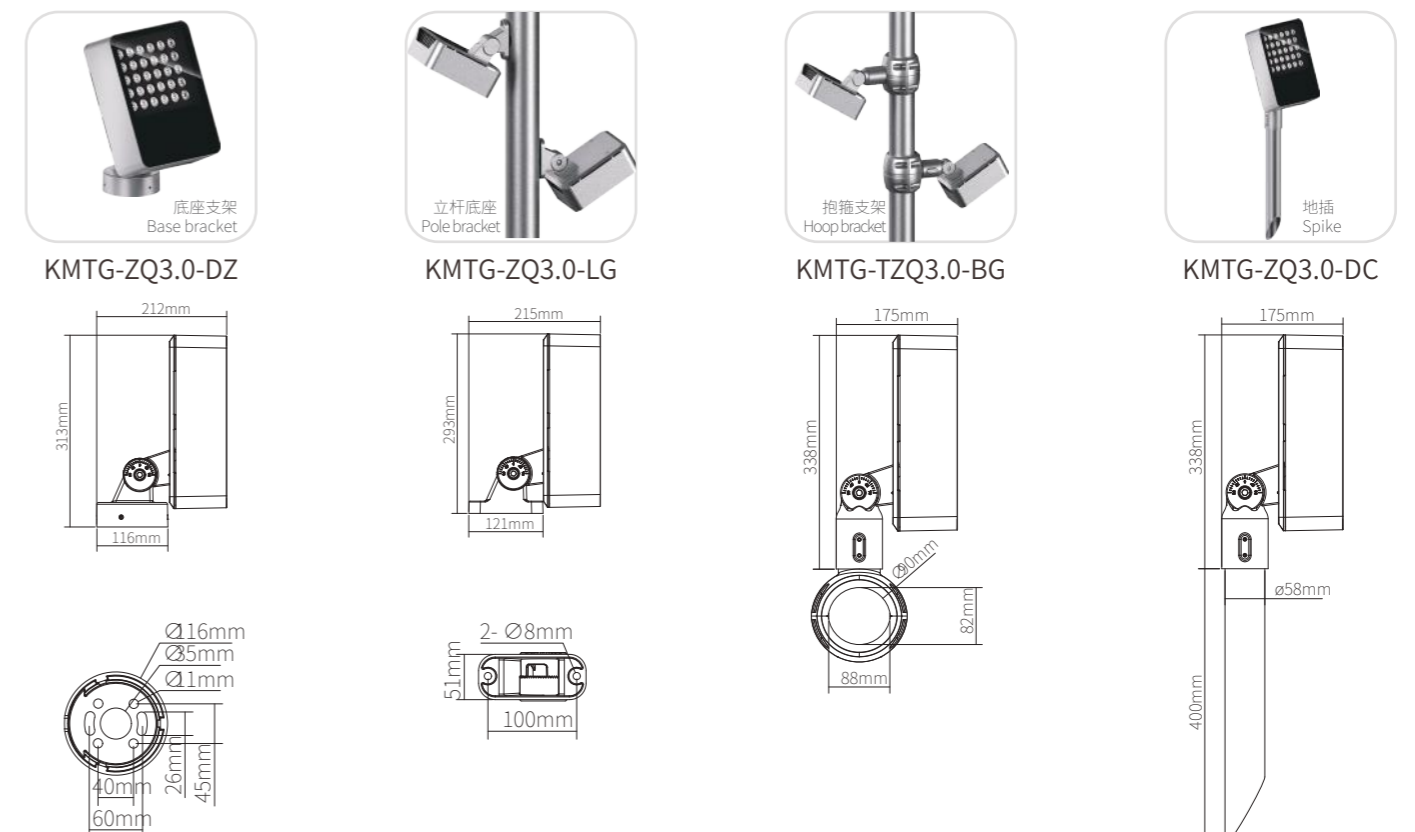
多位处理技术:支持多通道模式, 频闪, CCT色温调节, 总调光, RGBW/A/L模式, CMY模式, 调光模式等多功能选项	Multibit Processing technique:Support multi-channel mode, stroboscopic, CCT color temperature adjustment,RGBW/A/L mode, CMY mode and other multi-functional options
个性化配件:安装配件, 防眩光配件, 仿生配件	Multi-funtional Accessories: Accessories for installation , glare control and blending into scenarios
宽电压输入方案:精密的方案设计, 高效输出, 响应节能战略	Wide Voltage Input:Precise electronic scheme, powerful reach and energy-saving
全色域管理:RGB,RGBW/A/L/C/CLA全色域控制管理,最高七色域管理	Full Gamut Management: RGB,RGBW/A/L/C/CLA gamut control management, up to seven colors management
选配过压/过流监测保护, 温度监测管理, 白平衡管理, 多色单通道高光效管理, CCT/DUV/高亮/高显色温管理, 色彩灰阶校正管理	Optional overvoltage/overcurrent monitoring protection, temperature monitoring management, white balance management, multi-color single pass high light efficiency management, CCT/DUV/ high brightness/high color temperature management, color gray level correction management



尺寸/DIMENSIONS



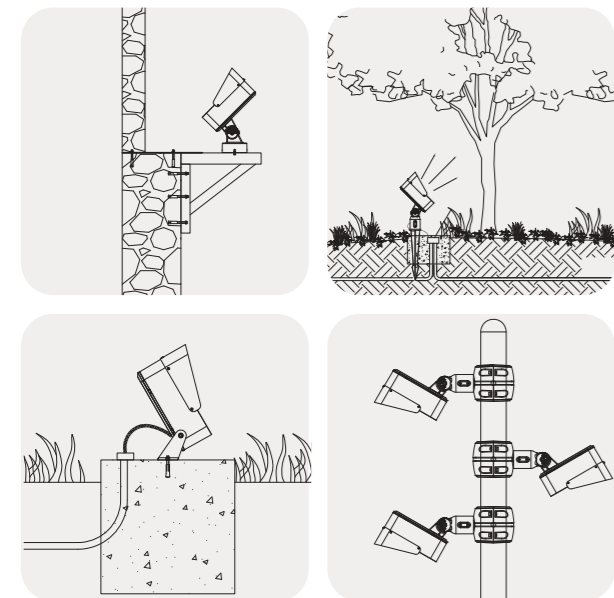
其他尺寸/OTHER DIMENSIONS



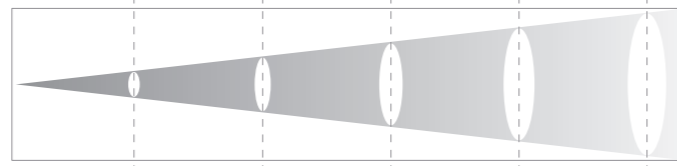
EVO 配件/EVO ACCESSORIES



安装示意图/INSTALLATION DIAGRAM



光学数据/OPTICAL DATA



功率/Power 96W

距离m	1	5	10	15	20
8° 最大照度lux	125461.34	5018.45	1254.61	557.61	313.65
光圈直径m	0.17	0.86	1.72	2.58	3.44
距离m	1	4	6	8	10
10° 最大照度lux	68865.24	4304.08	1912.92	1076.02	688.65
光圈直径m	0.21	0.84	1.26	1.68	2.10
距离m	1	4	6	8	10
13° 最大照度lux	44405.55	2775.35	1233.49	693.84	444.06
光圈直径m	0.22	0.87	1.31	1.74	2.18
距离m	1	2	3	4	5
20° 最大照度lux	22219.83	5554.96	2468.87	1388.74	888.79
光圈直径m	0.41	0.83	1.24	1.65	2.07
距离m	1	2	3	4	5
40° 最大照度lux	7620.57	1905.14	846.73	476.29	304.82
光圈直径m	0.79	1.57	2.36	3.14	3.93
距离m	1	2	3	4	5
45° 最大照度lux	7605.68	1901.42	845.08	475.36	304.23
光圈直径m	0.87	1.74	2.61	3.48	4.35

功率/Power 72W

距离m	1	5	10	15	20
5° 最大照度lux	269212.56	10768.50	2692.13	1196.50	673.03
光圈直径m	0.08	0.41	0.82	1.23	1.64
距离m	1	5	10	15	20
8° 最大照度lux	120002.07	4800.08	1200.02	533.34	300.01
光圈直径m	0.11	0.56	1.12	1.68	2.24
距离m	1	4	6	8	10
15° 最大照度lux	28386.85	1774.18	788.52	443.54	283.87
光圈直径m	0.26	1.04	1.57	2.09	2.61
距离m	1	2	3	4	5
25° 最大照度lux	12471.84	3117.96	1385.76	779.49	498.87
光圈直径m	0.39	0.79	1.18	1.58	1.97

型号信息/MODEL INFORMATION

产品型号 Model	尺寸 Size	功率 Power(Pcs)	电压 Voltage	色温 Color Temperature	角度 Beam Angles	控制协议 Control	芯片品牌 ChipsBrand
KMTG-ZQ3.0-UX-30A/B	283*211*93mm	96W(30pcs)	AC220V	2200K-6500K 1800K-3000K+4000K-6500K	8°、10°、13°、20°、40°、45°	ON/OFF DMX512★★★ 0-10V DALI	CREE OSRAM EPISTAR LUMILEDS SANAN
KMTG-ZQ3.0-UX-9A/B	283*211*93mm	72W(9pcs)			5°、8°、15°、25°		
KMTG-ZQ3.0-UX-30C/D	283*211*93mm	96W(30pcs)		RGB RGBW	8°、15°、25°、40°、50°	DMX512★★★	
KMTG-ZQ3.0-UX-9C/D	283*211*93mm	96W(9pcs)			8°、15°、25°		
KMTG-ZQ3.0-UX-30D	283*211*93mm	200W(30pcs)		RGBW	8°、15°、25°、40°、50°		

LED投光灯/LED PROJECTOR

KMTG-FZ1.1
方舟1.1



技术参数/PARAMETERS

灯体材质: 6063航空拉伸铝	Housing material: 6063 aviation aluminum
高强度压铸散热堵头	High-strength Die-cast Aluminum Heat-dissipation End-cap
超白钢化玻璃	Ultra-clear tempered glass
6063航空铝电源腔	6063 aviation aluminum power supply chamber
表面处理: 表面金属粉质感喷涂	Surface Finish: Electrostatically applied polyester powder coat
安装: 可调角度范围:垂直方向90°	Installation: Luminaires Rotation: 90°
灯具禁止安装在低洼积水处	Luminaires are not allowed to be installed in low-lying water
线材: ON/OFF:1000mm三芯1.5mm² 电源护套线	Cable: ON/OFF: 1000mm three-core 1.5mm² power sheathed cable
0-10V DALI:1000mm三芯1.5mm² 电源护套线 +两芯1mm² 信号线	0-10V DALI:1000mm three-core 1.5mm² power sheathed cable+two-core 1mm² signal cable
DMX512:1000mm三芯1.5mm² 电源护套线 +四芯0.5mm² 信号防水接头线	DMX512: 1000mm three-core 1.5mm² power sheathed cable +four-core 0.5mm² signal cable

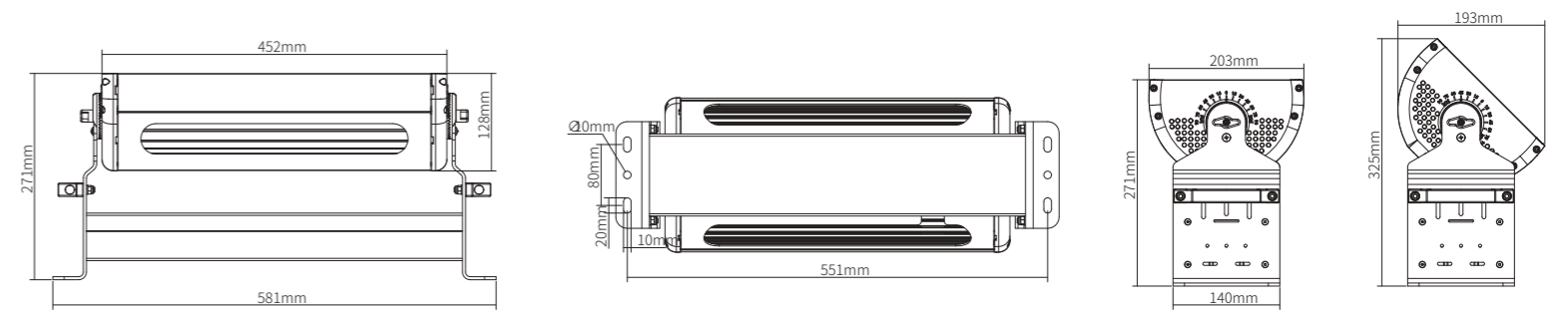
产品特性/FEATURES&BENEFITS

无尘永续设计: 结构坚固, 灯具出光面不积尘	Sustainable Design:Sturdy construction and glass surface without dust
对流式双腔体结构设计, 保证灯具良好散热, 减少灯具过早光衰	The contraflow double cavity structure design ensures good heat dissipation and reduces premature light decay of luminaires
宽电压输入方案: 精密的方案设计, 高效输出, 响应节能战略	Wide Voltage Input:Precise electronic scheme, powerful reach and energy-saving.
支持多种数据传输协议DMX512,DMX512-A,DMX512-RDM	Support a variety of data transmission protocols :DMX512,DMX512-A,DMX512-RDM
多位处理技术:支持多通道模式, 频闪, CCT色温调节, 总调光, RGBW/A/L模式, CMY模式, 调光模式等多功能选项	Multibit Processing technique:Support multi-channel mode, stroboscopic, CCT color temperature adjustment,RGBW/A/L mode, CMY mode and other multi-functional options
选配过压/过流监测保护, 温度监测管理, 白平衡管理, 多色单通道高光效管理, CCT/DUV/高亮/高显色温	Optional overvoltage/overcurrent monitoring protection, temperature monitoring management, white balance management, multi-color single pass high light efficiency management, CCT/DUV/ high brightness/high color temperature management, color gray level correction management



江西·绳金塔

尺寸/DIMENSIONS



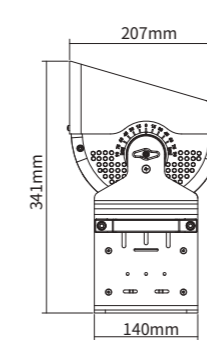
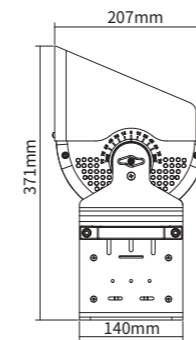
其他尺寸/OTHER DIMENSIONS



帽檐
Visor
KMTG-FZ1.1-MY



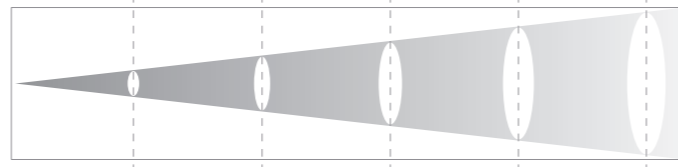
外置格栅
Radial Louver Asymmetric
KMTG-FZ1.1-XW



EVO 配件/EVO ACCESSORIES



光学数据/OPTICAL DATA



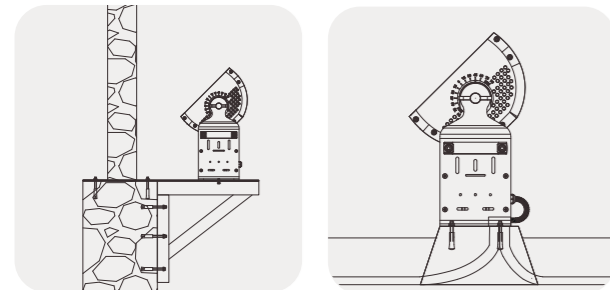
功率/Power 120W

	距离m	1	10	20	30	40
5°	照度lux	663112.4	6631.1	1657.7	736.7	414.4
	光圈直径m	0.1	0.8	1.7	2.5	3.4
	距离m	1	5	10	20	30
8°	照度lux	375850.6	15034.0	3758.5	939.6	417.6
	光圈直径m	0.1	0.5	1.0	2.0	3.0
	距离m	1	5	10	15	20
15°	照度lux	78211.5	3128.4	782.1	347.6	195.5
	光圈直径m	0.2	1.2	2.5	3.8	5.0
	距离m	1	4	6	8	10
25°	照度lux	38808.1	2425.5	1078.0	606.3	388.0
	光圈直径m	0.3	1.5	2.2	3.0	3.7

功率/Power 180W

	距离m	1	5	10	15	20
8°	照度lux	165283.9	6611.3	1652.8	734.6	413.2
	光圈直径m	0.1	0.8	1.7	2.6	3.5
	距离m	1	5	10	15	20
15°	照度lux	81978.4	3279.1	819.7	364.3	204.9
	光圈直径m	0.2	1.3	2.6	3.9	5.2
	距离m	1	4	6	8	10
25°	照度lux	36106.5	2256.6	1002.9	564.1	361.0
	光圈直径m	0.4	1.6	2.5	3.3	4.1

安装示意图/INSTALLATION DIAGRAM



型号信息/MODEL INFORMATION

产品型号 Model	尺寸 Size	功率 Power(Pcs)	电压 Voltage	色温 Color Temperature	角度 Beam Angles	控制协议 Control	芯片品牌 Chips Brand
KMTG-FZ1.1-UX-21A	203*271*581mm	120W(21pcs)	AC220V	2200K-6500K	5°、8°、15°、25°	ON/OFF DMX512★★★ 0-10V DALI	CREE OSRAM EPISTAR LUMILEDS SANAN
KMTG-FZ1.1-UX-21D	203*271*581mm	180W(21pcs)	AC220V	RGBW	8°、15°、25°	DMX512★★★	

LED投光灯/LED PROJECTOR

KMTG-FZ 2.1
方舟 2.1



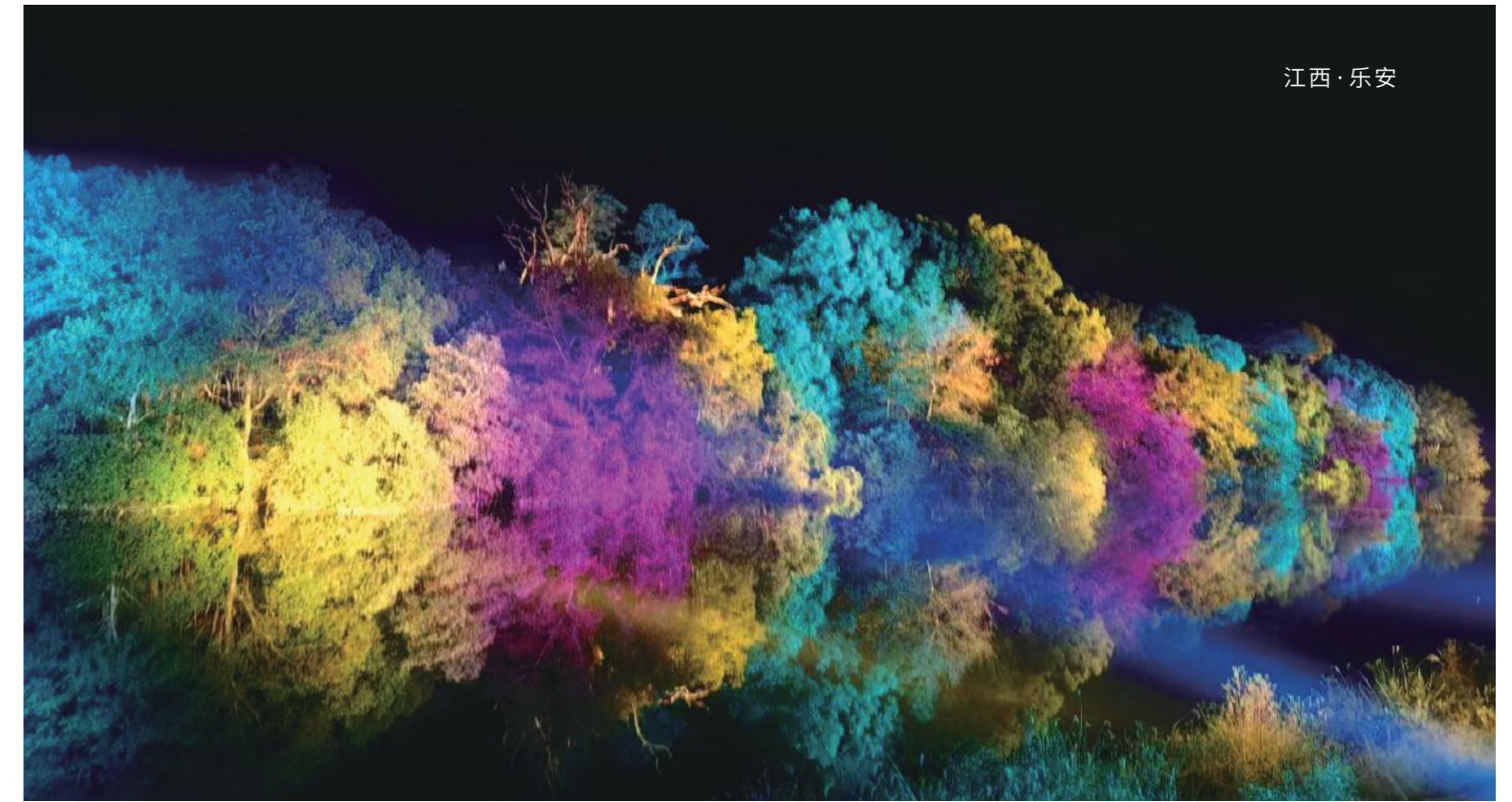
技术参数/PARAMETERS

灯体材质: 6063航空拉伸铝	Housing material: 6063 aviation aluminum
高强度压铸散热堵头	High-strength Die-cast Aluminum Heat-dissipation End-cap
超白钢化玻璃	Ultra-clear tempered glass
6063航空铝电源腔	6063 aviation aluminum power supply chamber
表面处理: 表面金属粉质感喷涂	Surface Finish: Electrostatically applied polyester powder coat
安装: 可调角度范围:垂直方向90°	Installation: Luminaires Rotation: 90°
灯具禁止安装在低洼积水处	Luminaires are not allowed to be installed in low-lying water
线材: ON/OFF:1000mm三芯1.5mm² 电源护套线	Cable: ON/OFF: 1000mm three-core 1.5mm² power sheathed cable
0-10V DALI:1000mm三芯1.5mm² 电源护套线 +两芯1mm² 信号线	0-10V DALI:1000mm three-core 1.5mm² power sheathed cable+two-core 1mm² signal cable
DMX512:1000mm三芯1.5mm² 电源护套线 +四芯0.5mm² 信号防水接头线	DMX512: 1000mm three-core 1.5mm² power sheathed cable +four-core 0.5mm² signal cable

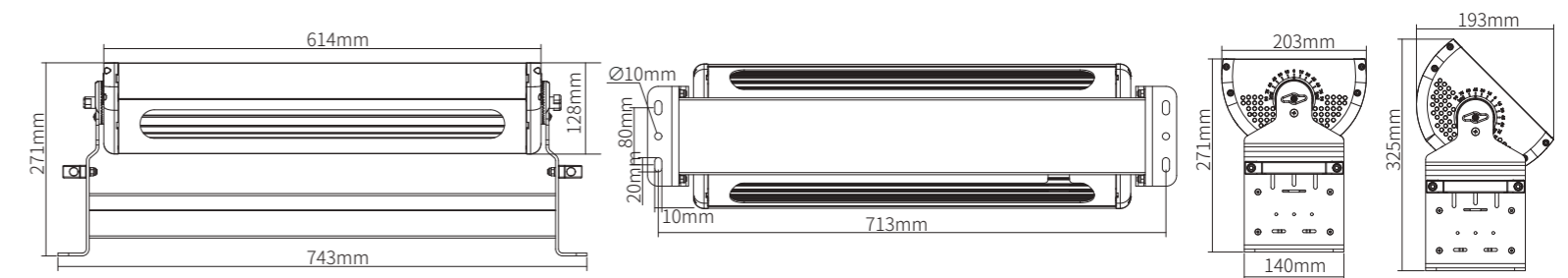
产品特性/FEATURES&BENEFITS

无尘永续设计: 结构坚固, 灯具出光面不积尘	Sustainable Design:Sturdy construction and glass surface without dust
对流式双腔体结构设计, 保证灯具良好散热, 减少灯具过早光衰	The contraflow double cavity structure design ensures good heat dissipation and reduces premature light decay of luminaires
宽电压输入方案: 精密的方案设计, 高效输出, 响应节能战略	Wide Voltage Input:Precise electronic scheme, powerful reach and energy-saving.
支持多种数据传输协议DMX512,DMX512-A,DMX512-RDM	Support a variety of data transmission protocols :DMX512,DMX512-A,DMX512-RDM
多位处理技术:支持多通道模式, 频闪, CCT色温调节, 总调光, RGBW/A/L模式, CMY模式, 调光模式等多功能选项	Multibit Processing technique:Support multi-channel mode, stroboscopic, CCT color temperature adjustment,RGBW/A/L mode, CMY mode and other multi-functional options
选配过压/过流监测保护, 温度监测管理, 白平衡管理, 多色单通道高光效管理, CCT/DUV/高亮/高显色温	Optional overvoltage/overcurrent monitoring protection, temperature monitoring management, white balance management, multi-color single pass high light efficiency management, CCT/DUV/ high brightness/high color temperature management, color gray level correction management

江西·乐安



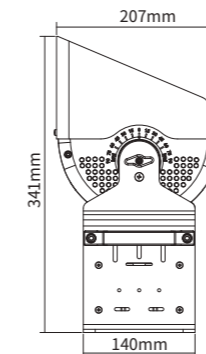
尺寸/DIMENSIONS



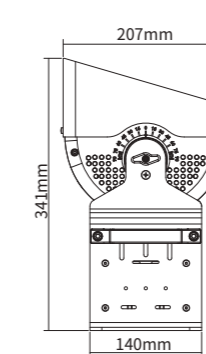
其他尺寸/OTHER DIMENSIONS



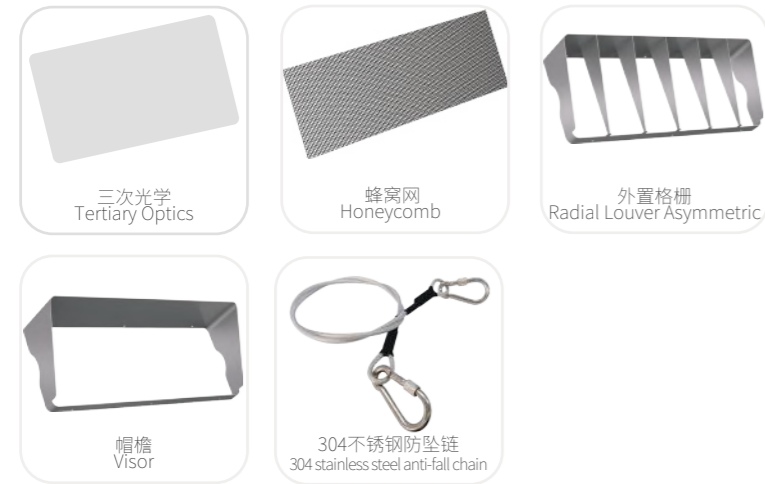
KMTG-FZ2.1-MY



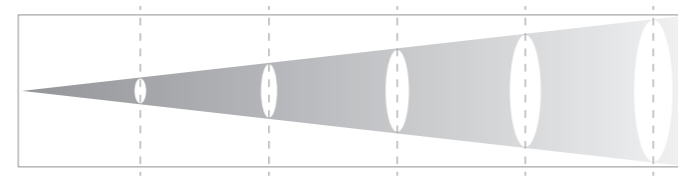
KMTG-FZ2.1-XW



EVO 配件/EVO ACCESSORIES



光学数据/OPTICAL DATA



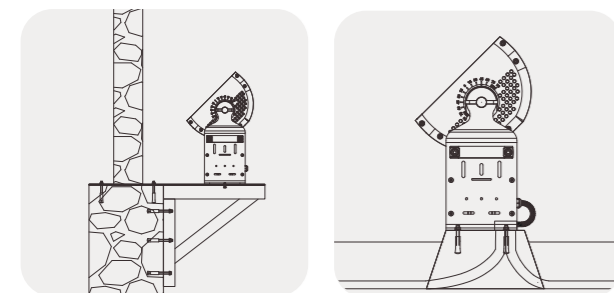
功率/Power 180W

	距离m	1	10	20	30	40
5°	照度lux	895691.2	8956.9	2239.2	995.2	559.8
	光圈直径m	0.1	0.8	1.7	2.5	3.4
8°	照度lux	524150.8	20966.0	5241.5	1310.3	582.3
	光圈直径m	0.1	0.5	1.0	2.0	3.0
15°	照度lux	116150.4	4646.0	1161.5	516.2	290.3
	光圈直径m	0.2	1.2	2.5	3.8	5.1
25°	照度lux	57813.4	3613.3	1605.9	903.3	578.1
	光圈直径m	0.3	1.5	2.2	3.0	3.7

功率/Power 270W

	距离m	1	5	10	20	30
8°	照度lux	253998.2	10159.9	2539.9	635.0	282.2
	光圈直径m	0.1	0.8	1.7	3.4	5.2
15°	照度lux	126680.2	5067.2	1266.8	563.0	316.7
	光圈直径m	0.2	1.3	2.6	3.9	5.2
25°	照度lux	54781.2	3423.8	1521.7	855.9	547.8
	光圈直径m	0.4	1.6	2.4	3.3	4.1

安装示意图/INSTALLATION DIAGRAM



型号信息/MODEL INFORMATION

产品型号 Model	尺寸 Size	功率 Power(Pcs)	电压 Voltage	色温 Color Temperature	角度 Beam Angles	控制协议 Control	芯片品牌 Chips Brand
KMTG-FZ2.1-UX-30A	203*271*743mm	180W(30pcs)	AC220V	2200K-6500K	5°、8°、15°、25°	ON/OFF DMX512★★★ 0-10V DALI	CREE OSRAM EPISTAR
KMTG-FZ2.1-UX-30D	203*271*743mm	270W(30pcs)	AC220V	RGBW	8°、15°、25°	DMX512★★★	LUMILEDS SANAN

LED投光灯/LED PROJECTOR

KMTG-FZ 3.1
方舟 3.1



技术参数/PARAMETERS

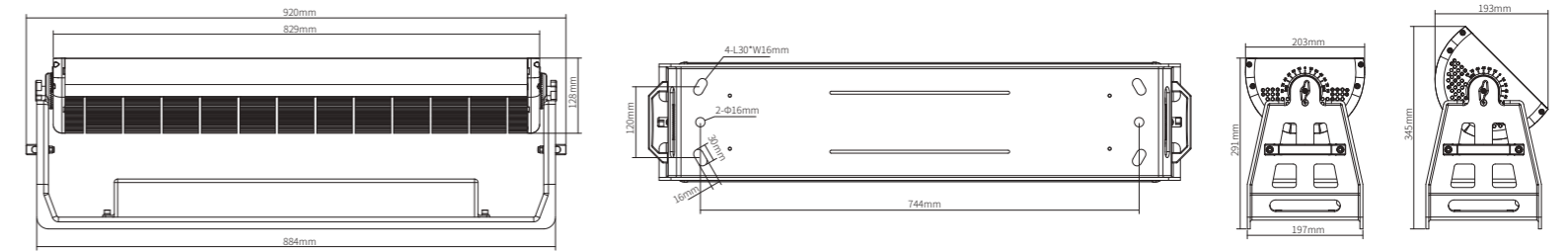
灯体材质: 6063航空拉伸铝	Housing material: 6063 aviation aluminum
高强度压铸散热堵头	High-strength Die-cast Aluminum Heat-dissipation End-cap
超白钢化玻璃	Ultra-clear tempered glass
6063航空铝电源腔	6063 aviation aluminum power supply chamber
表面处理: 表面金属粉漆质感喷涂	Surface Finish: Electrostatically applied polyester powder coat
安装: 可调角度范围:垂直方向90°	Installation: Luminaires Rotation: 90°
灯具禁止安装在低洼积水处	Luminaires are not allowed to be installed in low-lying water
线材: ON/OFF:1000mm三芯1.5mm² 电源护套线	Cable: ON/OFF: 1000mm three-core 1.5mm² power sheathed cable
0-10V DALI:1000mm三芯1.5mm² 电源护套线 +两芯1mm² 信号线	0-10V DALI:1000mm three-core 1.5mm² power sheathed cable+two-core 1mm² signal cable
DMX512:1000mm三芯1.5mm² 电源护套线 +四芯0.5mm² 信号防水接头线	DMX512: 1000mm three-core 1.5mm² power sheathed cable +four-core 0.5mm² signal cable

产品特性/FEATURES&BENEFITS

无尘永续设计: 结构坚固, 灯具出光面不积尘	Sustainable Design:Sturdy construction and glass surface without dust
对流式双腔体结构设计, 保证灯具良好散热, 减少灯具过早光衰	The contraflow double cavity structure design ensures good heat dissipation and reduces premature light decay of luminaires
宽电压输入方案: 精密的方案设计, 高效输出, 响应节能战略	Wide Voltage Input:Precise electronic scheme, powerful reach and energy-saving.
支持多种数据传输协议DMX512,DMX512-A,DMX512-RDM	Support a variety of data transmission protocols :DMX512,DMX512-A,DMX512-RDM
多位处理技术:支持多通道模式, 频闪, CCT色温调节, 总调光, RGBW/A/L模式, CMY模式, 调光模式等多功能选项	Multibit Processing technique:Support multi-channel mode, stroboscopic, CCT color temperature adjustment,RGBW/A/L mode, CMY mode and other multi-functional options
选配过压/过流监测保护, 温度监测管理, 白平衡管理, 多色单通道高光效管理, CCT/DUV/高亮/高显色温	Optional overvoltage/overcurrent monitoring protection, temperature monitoring management, white balance management, multi-color single pass high light efficiency management, CCT/DUV/ high brightness/high color temperature management, color gray level correction management



尺寸/DIMENSIONS

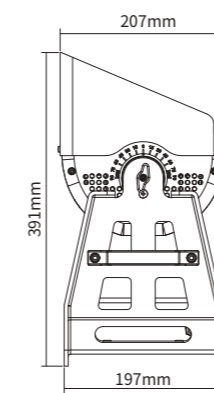


其他尺寸/OTHER DIMENSIONS



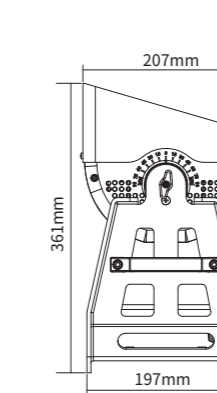
帽檐
Visor

KMTG-FZ3.1-MY



外置格栅
Radial Louver Asymmetric

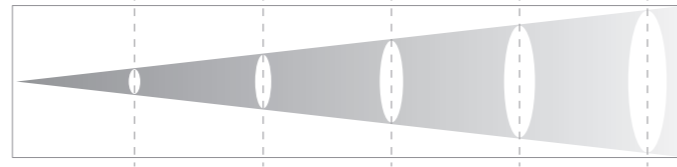
KMTG-FZ3.1-XW



EVO 配件/EVO ACCESSORIES



光学数据/OPTICAL DATA



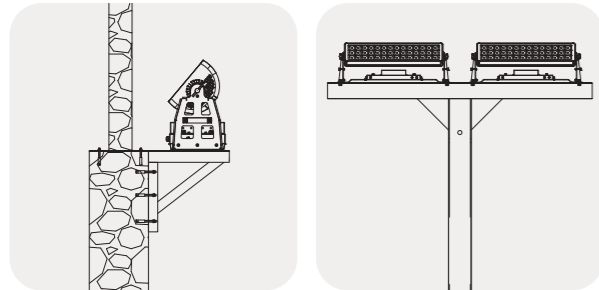
功率/Power 300W

距离m	1	30	40	50	60
5° 照度lux	1084870.5	1205.4	678.0	433.9	301.3
光圈直径m	0.1	2.7	3.7	4.6	5.5
距离m	1	20	30	40	50
8° 照度lux	694387.9	1735.9	771.5	433.9	277.7
光圈直径m	0.1	2.0	3.1	4.1	5.2
距离m	1	10	15	20	25
15° 照度lux	177414.6	1774.1	788.5	443.5	283.8
光圈直径m	0.2	2.5	3.8	5.0	6.3
距离m	1	5	10	15	20
25° 照度lux	88436.9	3537.4	884.3	393.0	221.0
光圈直径m	0.3	1.8	3.7	5.6	7.5

功率/Power 500W

距离m	1	10	20	30	40
8° 照度lux	463890.5	4638.9	1159.7	515.4	289.9
光圈直径m	0.1	1.7	3.4	5.2	6.9
距离m	1	5	10	20	30
15° 照度lux	214796.4	8591.8	2147.9	536.9	238.6
光圈直径m	0.2	1.3	2.6	5.2	7.8
距离m	1	5	10	15	20
25° 照度lux	102125.0	4085.0	1021.2	453.8	255.3
光圈直径m	0.4	2.0	4.1	6.2	8.3

安装示意图/INSTALLATION DIAGRAM



型号信息/MODEL INFORMATION

产品型号 Model	尺寸 Size	功率 Power(Pcs)	电压 Voltage	色温 Color Temperature	角度 Beam Angles	控制协议 Control	芯片品牌 Chips Brand
KMTG-FZ3.1-UX-42A	203*291*884mm	300W(42pcs)	AC220V	2200K -6500K	5°、8°、15°、25°	ON/OFF DMX512★★★ 0-10V DALI	CREE OSRAM EPISTAR LUMILEDS SANAN
KMTG-FZ3.1-UX-42D	203*291*884mm	500W(42pcs)		RGBW	8°、15°、25°	DMX512★★★	

LED投光灯/LED PROJECTOR

KMTG-FZ 3.2
方舟 3.2



技术参数/PARAMETERS

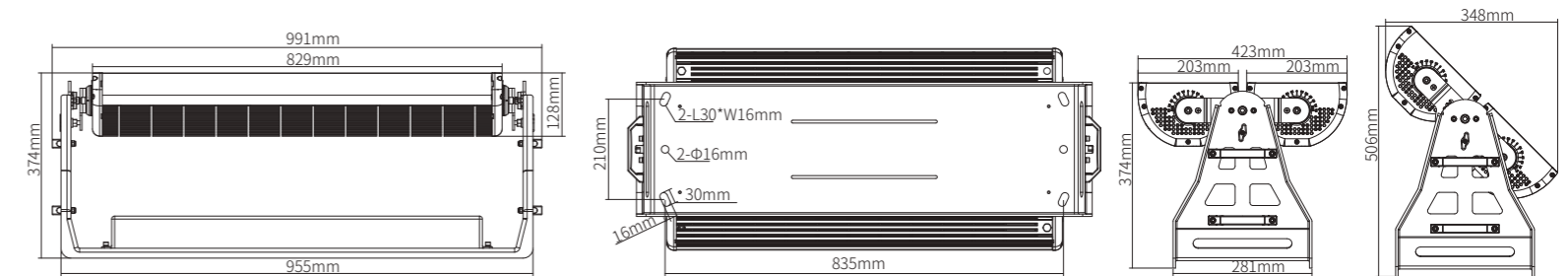
灯体材质: 6063航空拉伸铝	Housing material: 6063 aviation aluminum
高强度压铸散热堵头	High-strength Die-cast Aluminum Heat-dissipation End-cap
超白钢化玻璃	Ultra-clear tempered glass
6063航空铝电源腔	6063 aviation aluminum power supply chamber
表面处理: 表面金属喷漆质感喷涂	Surface Finish: Electrostatically applied polyester powder coat
安装: 可调角度范围:垂直方向90°	Installation: Luminaires Rotation: 90°
灯具禁止安装在低洼积水处	Luminaires are not allowed to be installed in low-lying water
线材: ON/OFF:1000mm三芯1.5mm² 电源护套线	Cable: ON/OFF: 1000mm three-core 1.5mm² power sheathed cable
0-10V DALI:1000mm三芯1.5mm² 电源护套线 +两芯1mm² 信号线	0-10V DALI:1000mm three-core 1.5mm² power sheathed cable+two-core 1mm² signal cable
DMX512:1000mm三芯1.5mm² 电源护套线 +四芯0.5mm² 信号防水接头线	DMX512: 1000mm three-core 1.5mm² power sheathed cable +four-core 0.5mm² signal cable

产品特性/FEATURES&BENEFITS

无尘永续设计: 结构坚固, 灯具出光面不积尘	Sustainable Design:Sturdy construction and glass surface without dust
对流式双腔体结构设计, 保证灯具良好散热, 减少灯具过早光衰	The contraflow double cavity structure design ensures good heat dissipation and reduces premature light decay of luminaires
宽电压输入方案: 精密的方案设计, 高效输出, 响应节能战略	Wide Voltage Input:Precise electronic scheme, powerful reach and energy-saving.
支持多种数据传输协议DMX512,DMX512-A,DMX512-RDM	Support a variety of data transmission protocols :DMX512,DMX512-A,DMX512-RDM
多位处理技术:支持多通道模式, 频闪, CCT色温调节, 总调光, RGBW/A/L模式, CMY模式, 调光模式等多功能选项	Multibit Processing technique:Support multi-channel mode, stroboscopic, CCT color temperature adjustment,RGBW/A/L mode, CMY mode and other multi-functional options
选配过压/过流监测保护, 温度监测管理, 白平衡管理, 多色单通道高光效管理, CCT/DUV/高亮/高显色温	Optional overvoltage/overcurrent monitoring protection, temperature monitoring management, white balance management, multi-color single pass high light efficiency management, CCT/DUV/ high brightness/high color temperature management, color gray level correction management



尺寸/DIMENSIONS



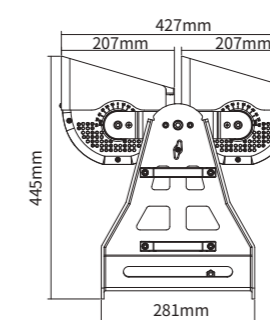
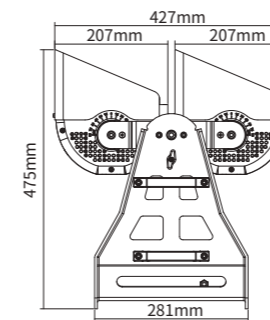
其他尺寸/OTHER DIMENSIONS



KMTG-FZ3.2-MY



KMTG-FZ3.5-XW



EVO 配件/EVO ACCESSORIES



三次光学
Tertiary Optics



蜂窝网
Honeycomb



外置格栅
Radial Louver Asymmetric

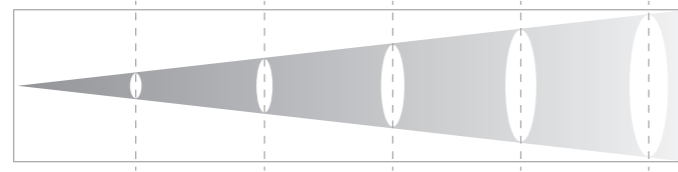


帽檐
Visor



304不锈钢防坠链
304 stainless steel anti-fall chain

光学数据/OPTICAL DATA



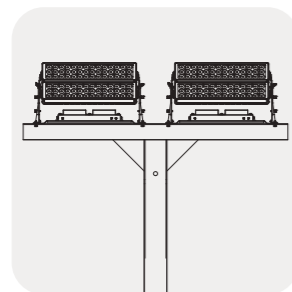
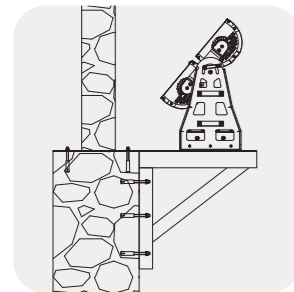
功率/Power 600W

距离m	1	50	60	70	80
5° 照度lux	1844279.8	737.7	512.3	376.3	288.1
光圈直径m	0.1	4.6	5.5	6.5	7.4
距离m	1	30	40	50	60
8° 照度lux	1180459.5	1311.6	737.7	472.1	327.9
光圈直径m	0.1	3.1	4.1	5.2	6.2
距离m	1	5	10	20	30
15° 照度lux	301604.9	12064.2	3016.0	754.0	335.1
光圈直径m	0.2	1.2	5	5.0	7.6
距离m	1	5	10	15	20
25° 照度lux	150342.8	6013.7	1503.4	668.1	375.8
光圈直径m	0.3	1.8	3.7	5.6	7.5

功率/Power 1000W

距离m	1	20	30	40	50
8° 照度lux	788613.8	1971.5	876.2	492.8	315.4
光圈直径m	0.1	3.4	5.2	6.9	8.7
距离m	1	10	20	30	40
15° 照度lux	365153.9	3651.5	912.8	405.7	228.2
光圈直径m	0.2	2.6	5.2	7.8	10.5
距离m	1	10	15	20	25
25° 照度lux	173612.6	1736.1	771.6	434.0	277.7
光圈直径m	0.4	4.1	6.2	8.3	10.3

安装示意图/INSTALLATION DIAGRAM



型号信息/MODEL INFORMATION

产品型号 Model	尺寸 Size	功率 Power(Pcs)	电压 Voltage	色温 Color Temperature	角度 Beam Angles	控制协议 Control	芯片品牌 ChipsBrand
KMTG-FZ3.2-UX-84A	423*374*955mm	600W(2*42pcs)	AC220V	2200K-6500K	5°、8°、15°、25°	ON/OFF DMX512★★★ 0-10V DALI	CREE OSRAM EPISTAR LUMILEDS
KMTG-FZ3.2-UX-84D	423*374*955mm	1000W(2*42pcs)	AC220V	RGBW	8°、15°、25°	DMX512★★★	SANAN

LED投光灯/LED PROJECTOR

KMTG-FZ 3.3
方舟3.3



技术参数/PARAMETERS

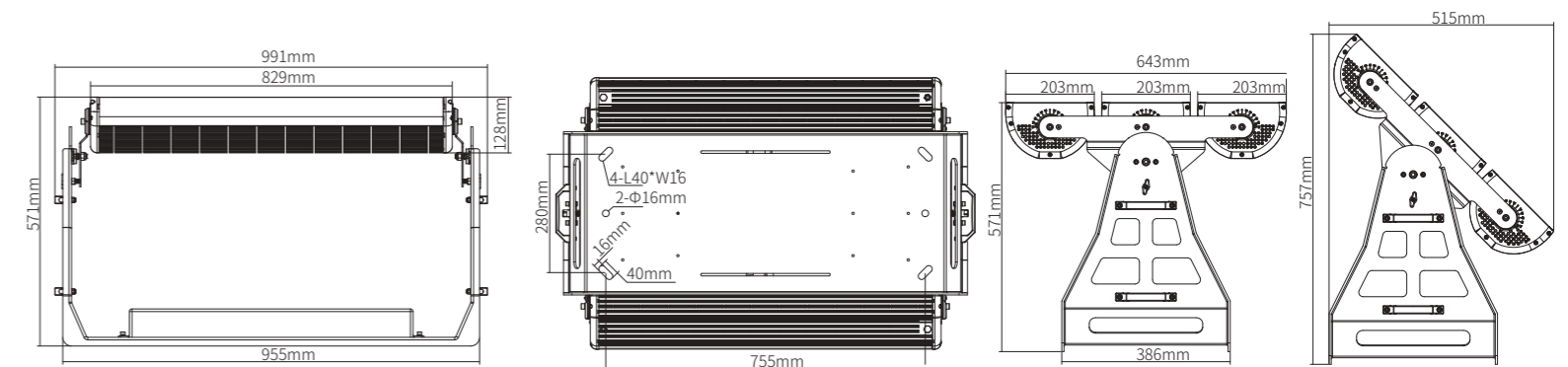
灯体材质: 6063航空拉伸铝	Housing material: 6063 aviation aluminum
高强度压铸散热堵头	High-strength Die-cast Aluminum Heat-dissipation End-cap
超白钢化玻璃	Ultra-clear tempered glass
6063航空铝电源腔	6063 aviation aluminum power supply chamber
表面处理: 表面金属粉质感喷涂	Surface Finish: Electrostatically applied polyester powder coat
安 装: 可调角度范围:垂直方向90°	Installation: Luminaires Rotation: 90°
灯具禁止安装在低洼积水处	Luminaires are not allowed to be installed in low-lying water
线 材: ON/OFF:1000mm三芯1.5mm² 电源护套线	Cable: ON/OFF: 1000mm three-core 1.5mm² power sheathed cable
0-10V DALI:1000mm三芯1.5mm²电源护套线 +两芯1mm²信号线	0-10V DALI:1000mm three-core 1.5mm² power sheathed cable+two-core 1mm² signal cable
DMX512:1000mm三芯1.5mm² 电源护套线 +四芯0.5mm² 信号防水接头线	DMX512: 1000mm three-core 1.5mm² power sheathed cable +four-core 0.5mm² signal cable

产品特性/FEATURES&BENEFITS

无尘永续设计: 结构坚固, 灯具出光面不积尘	Sustainable Design:Sturdy construction and glass surface without dust
对流式双腔体结构设计, 保证灯具良好散热, 减少灯具过早光衰	The contraflow double cavity structure design ensures good heat dissipation and reduces premature light decay of luminaires
宽电压输入方案: 精密的方案设计, 高效输出, 响应节能战略	Wide Voltage Input:Precise electronic scheme, powerful reach and energy-saving.
支持多种数据传输协议DMX512,DMX512-A,DMX512-RDM	Support a variety of data transmission protocols :DMX512,DMX512-A,DMX512-RDM
多位处理技术:支持多通道模式, 频闪, CCT色温调节, 总调光, RGBW/A/L模式, CMY模式, 调光模式等多功能选项	Multibit Processing technique:Support multi-channel mode, stroboscopic, CCT color temperature adjustment,RGBW/A/L mode, CMY mode and other multi-functional options
选配过压/过流监测保护, 温度监测管理, 白平衡管理, 多色单通道高光效管理, CCT/DUV/高亮/高显色温	Optional overvoltage/overcurrent monitoring protection, temperature monitoring management, white balance management, multi-color single pass high light efficiency management, CCT/DUV/ high brightness/high color temperature management, color gray level correction management



尺寸/DIMENSIONS



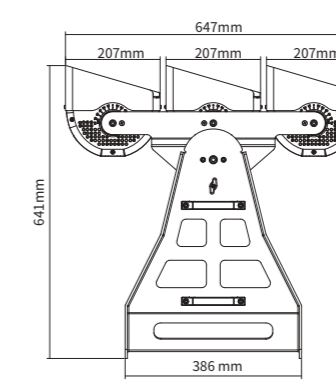
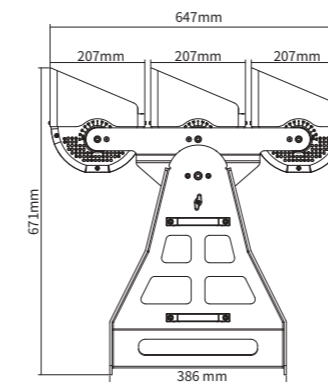
其他尺寸/OTHER DIMENSIONS



KMTG-FZ3.3-MY



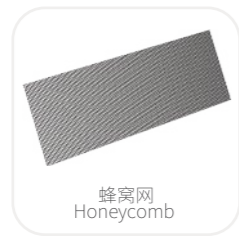
KMTG-FZ3.3-XW



EVO 配件/EVO ACCESSORIES



三次光学
Tertiary Optics



蜂窝网
Honeycomb



外置格栅
Radial Louver Asymmetric

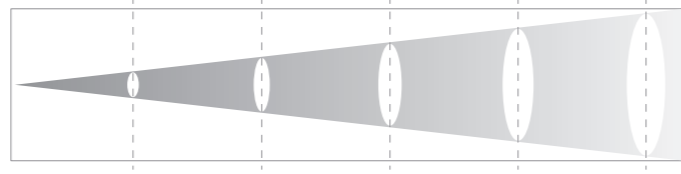


帽檐
Visor



304不锈钢防坠链
304 stainless steel anti-fall chain

光学数据/OPTICAL DATA



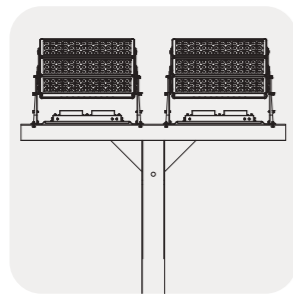
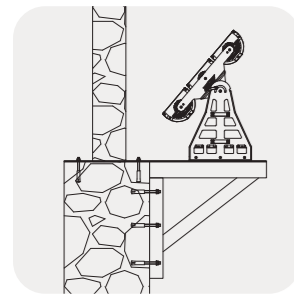
功率/Power 900W

距离m	1	50	80	90	100
5° 照度 lux	2278228.0	911.2	355.9	281.2	227.82
光圈直径 m	0.1	4.6	7.4	8.3	9.2
距离m	1	50	60	70	80
8° 照度 lux	1458214.6	583.2	405.0	297.5	227.8
光圈直径 m	0.1	5.2	6.2	7.3	8.3
距离m	1	10	20	30	40
15° 照度 lux	372570.8	3725.7	931.4	413.9	232.8
光圈直径 m	0.2	2.5	5.0	7.6	10.1
距离m	1	10	15	20	25
25° 照度 lux	185717.6	1857.1	825.4	464.2	297.1
光圈直径 m	0.3	3.7	5.6	7.5	9.3

功率/Power 1500W

距离m	1	30	40	50	60
8° 照度 lux	974170.0	1082.4	608.8	389.6	270.6
光圈直径 m	0.1	5.2	6.9	8.7	10.4
距离m	1	10	20	30	40
15° 照度 lux	451072.5	4510.7	1127.6	501.1	281.9
光圈直径 m	0.2	2.6	5.2	7.8	10.5
距离m	1	5	10	20	30
25° 照度 lux	214462.6	8578.1	2144.3	536.6	238.9
光圈直径 m	0.4	2.8	4.5	8.0	12.5

安装示意图/INSTALLATION DIAGRAM



型号信息/MODEL INFORMATION

产品型号 Model	尺寸 Size	功率 Power(Pcs)	电压 Voltage	色温 Color Temperature	角度 Beam Angles	控制协议 Control	芯片品牌 Chips Brand
KMTG-FZ3.3-UX-126A	643*571*955mm	900W(3*42pcs)	AC220V	2200K-6500K	5°、8°、15°、25°	ON/OFF DMX512★★★ 0-10V DALI	CREE OSRAM EPISTAR
KMTG-FZ3.3-UX-126D	643*571*955mm	1500W(3*42pcs)	AC220V	RGBW	8°、15°、25°	DMX512★★★	LUMILEDS SANAN

LED 点光源系列 LED POINT LIGHT SOURCE

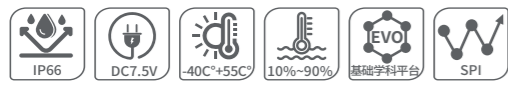
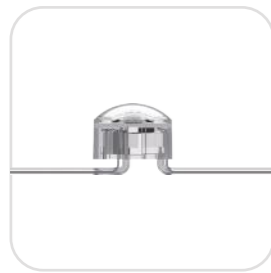
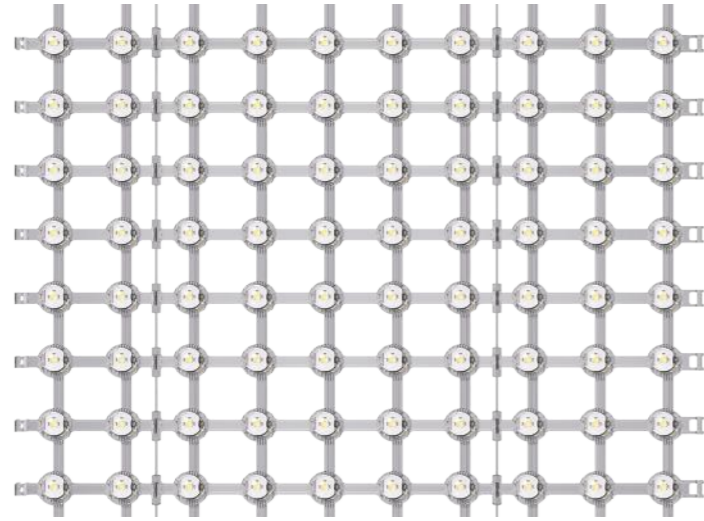
LED点光源,作为一种创新的装饰灯具,不仅丰富了照明领域的产品线,还为线形光源和泛光照明提供了有力的补充,能够模拟甚至超越一定规格的显示屏的显示效果,成了一种智能型的灯具。

LED point light source, as an innovative decorative luminaire, not only enriches the product line in the field of lighting, but also provides a strong supplement to linear light source and flood lighting, simulating or even exceeding the display effect of a certain specification of the display, becoming an intelligent lamp.



LED 点光源/LED POINT LIGHT SOURCE

KMDG-W20
W20



技术参数/PARAMETERS

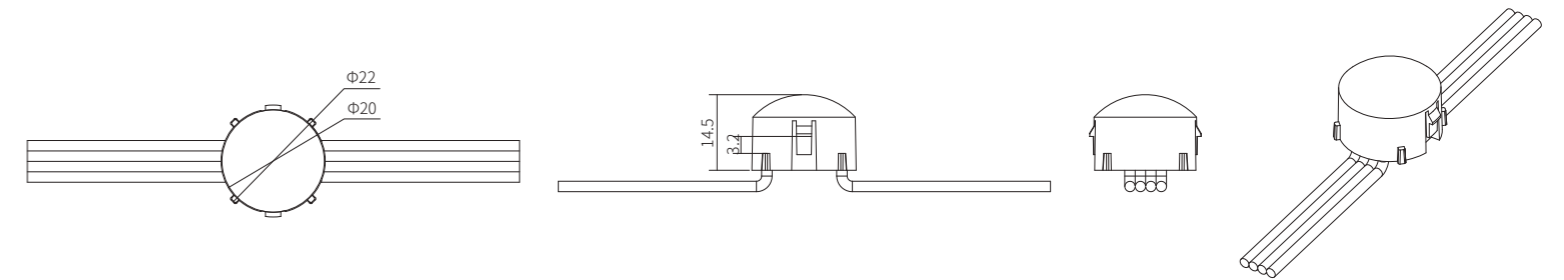
灯体材质: 防尘抗UV PC面罩	Housing material: Dustproof and anti-UV PC cover
ABS底座	ABS basement
正面全封灌胶结构	Full glue filling structure
安 装: 不可调角度	Installation: Non-adjustable bracket
钢丝卡扣安装, 模块化布局	Steel wire buckle, modular layout
线 材: SPI: 150mm四芯4*0.5mm ² 电源信号防水接头线	Cable: SPI: 150mm four-core 4*0.5mm ² (Power and signal in a cable)

产品特性/FEATURES&BENEFITS

小巧精致, 易隐藏, 完美融入安装场景	Small size and delicate, easy to hide, perfect into the installation scene
低电压输入方案: 精密的方案设计, 高效输出, 响应节能战略	Low Voltage Input: Precise electronic scheme, powerful reach and energy-saving.
支持数据传输协议SPI, 像素间距多种选择	Support SPI transmission protocol and multiple pixel pitch options
控制处理技术: 支持系统亮度调节, 无需编码, 设置简单	Control processing technology: Support system brightness adjustment, no coding, simple setting



尺寸/DIMENSIONS



EVO 配件/EVO ACCESSORIES



葫芦扣
Gourd buckle

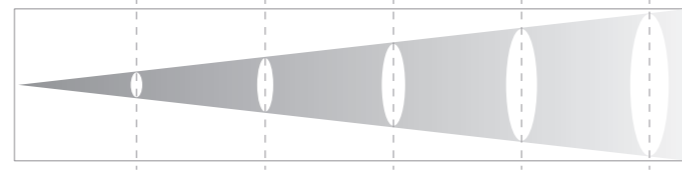


兰花螺丝
Steel turnbuckle



钢丝卡扣
Steel wire buckle

光学数据/OPTICAL DATA



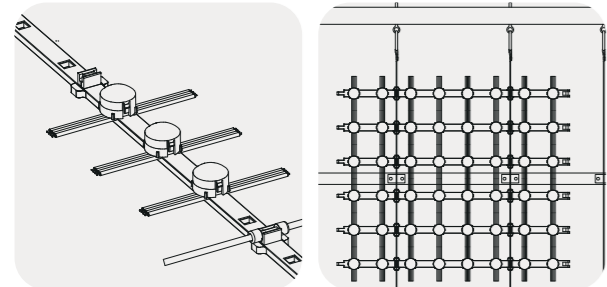
功率/Power 0.26W

距离 m	1	2	3	4	5
105° 照度 lux	3.61	0.90	0.40	0.23	0.14
光圈直径 m	2.59	5.18	7.77	10.36	12.95

型号信息/MODEL INFORMATION

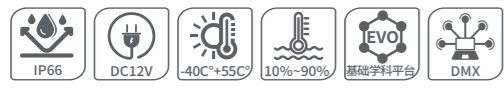
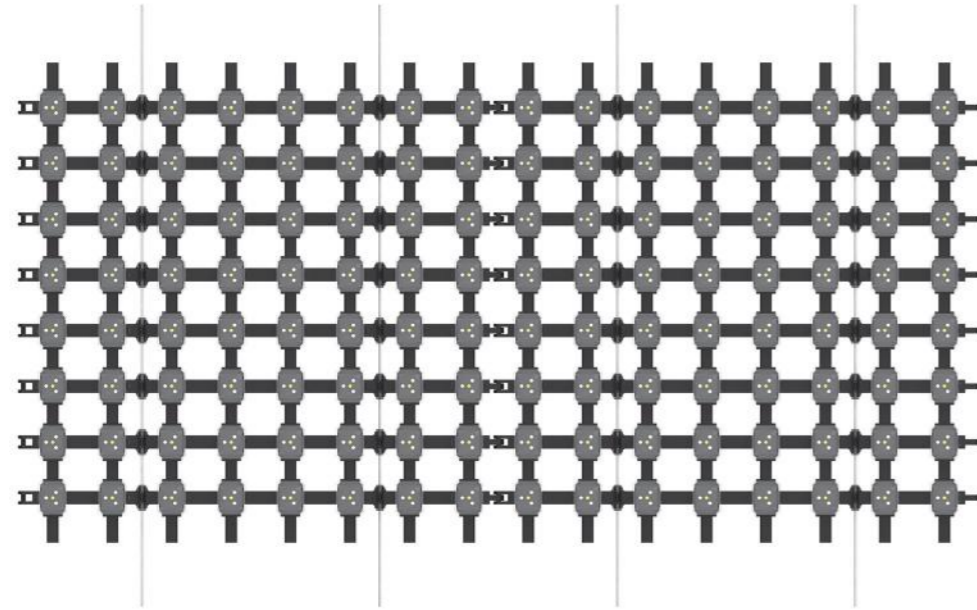
产品型号 Model	尺寸 Size	功率 Power(Pcs)	电压 Voltage	色温 Color Temperature	角度 Beam Angles	控制协议 Control	芯片品牌 Chips Brand
KMDG -W20 -1C	φ 20mm*H14.5mm	0.26W(1pcs) 8pcs/m/p125	DC7.5V	RGB	105°	SPI	CREE OSRAM EPISTAR LUMILEDS SANAN
KMDG -W20 -1C	φ 20mm*H14.5mm	0.26W(1pcs) 10pcs/m/p100					
KMDG -W20 -1C	φ 20mm*H14.5mm	0.26W(1pcs) 16pcs/m/p62.5					
KMDG -W20 -1C	φ 20mm*H14.5mm	0.26W(1pcs) 20pcs/m/p50					
KMDG -W20 -1C	φ 20mm*H14.5mm	0.26W(1pcs) 32pcs/m/p31.25					

安装示意图/INSTALLATION DIAGRAM



LED 点光源/LED POINT LIGHT SOURCE

KMDG -W30
W30



技术参数/PARAMETERS

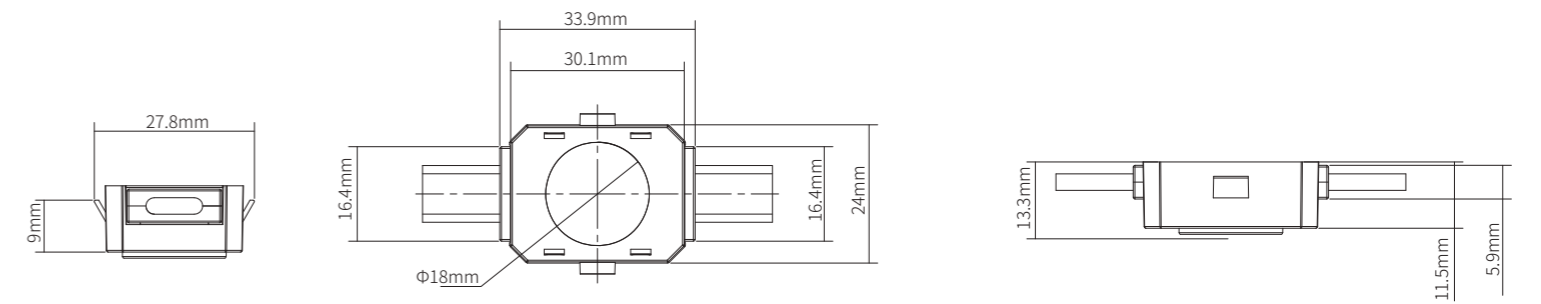
灯体材质: 防尘抗UV PC面罩	Housing material: Dustproof and anti-UV PC cover
ABS底座	ABS basement
正面全封灌胶结构	Full glue filling structure
安 装: 不可调角度	Installation: Non-adjustable bracket
钢丝卡扣安装, 模块化布局	Steel wire buckle , modular layout
线 材: DMX512: 150mm五芯2*1+3*0.3mm ² 电源+信号防水接头线	Cable: DMX512: 150mm five-core 2*1+3*0.3mm ² (Power and signal in a cable)

产品特性/FEATURES&BENEFITS

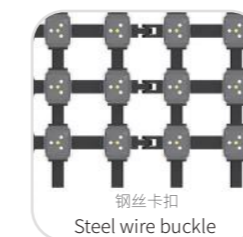
小巧精致, 易隐藏, 完美融入安装场景	Small size and delicate, easy to hide, perfect into the installation scene
宽电压输入方案: 精密的方案设计, 高效输出, 响应节能战略	Wide Voltage Input: Precise electronic scheme, powerful reach and energy-saving
支持多种数据传输协议DMX512	Support a variety of data transmission protocols :DMX512
多位处理技术: 支持亮度调节, 内置亮灯模式设置, 自动编码	Multi-bit processing technology: Support brightness adjustment, built-in lighting mode setting, automatic coding



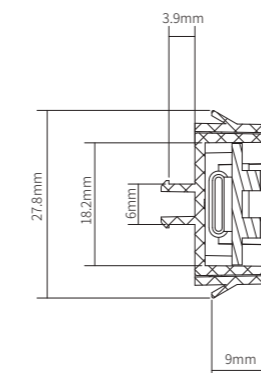
尺寸/DIMENSIONS



其他尺寸/OTHER DIMENSIONS



KMDG-W30 -GS



EVO 配件/EVO ACCESSORIES

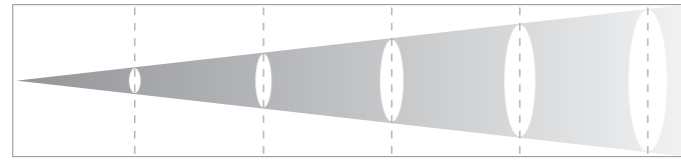


葫芦扣
Gourd buckle

兰花螺丝
Steel turnbuckle

钢丝卡扣
Steel wire buckle

光学数据/OPTICAL DATA



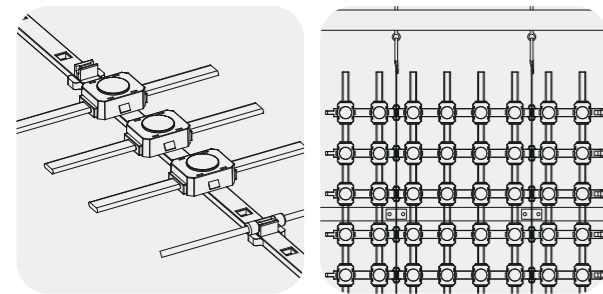
功率/Power 0.72W

距离 m	1	2	3	4	5
105° 照度 lux	7.22	1.81	0.80	0.45	0.29
光圈直径 m	2.59	5.18	7.77	10.36	12.95

型号信息/MODEL INFORMATION

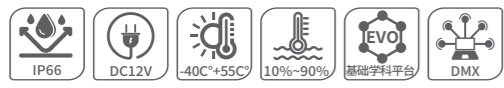
产品型号 Model	尺寸 Size	功率 Power(Pcs)	电压 Voltage	色温 Color Temperature	角度 Beam Angles	控制协议 Control	芯片品牌 Chips Brand
KMDG -W30 -3C	33.9*24*13.3mm	0.72W(3pcs) 8pcs/m/p125	DC12V	RGB	105°	DMX512	CREE OSRAM EPISTAR LUMILEDS SANAN
KMDG -W30 -3C	33.9*24*13.3mm	0.72W(3pcs) 10pcs/m/p100					
KMDG -W30 -3C	33.9*24*13.3mm	0.72W(3pcs) 16pcs/m/p62.5					
KMDG -W30 -3C	33.9*24*13.3mm	0.72W(3pcs) 20pcs/m/p50					
KMDG -W30 -3C	33.9*24*13.3mm	0.72W(3pcs) 32pcs/m/p31.25					
KMDG -W30 -4D	33.9*24*13.3mm	0.96W(4pcs) 8pcs/m/p125					
KMDG -W30 -4D	33.9*24*13.3mm	0.96W(4pcs) 10pcs/m/p100					
KMDG -W30 -4D	33.9*24*13.3mm	0.96W(4pcs) 16pcs/m/p62.5					
KMDG -W30 -4D	33.9*24*13.3mm	0.96W(4pcs) 20pcs/m/p50					
KMDG -W30 -4D	33.9*24*13.3mm	0.96W(4pcs) 3pcs/m/p31.25					

安装示意图/INSTALLATION DIAGRAM



LED 点光源/LED POINT LIGHT SOURCE

KMDG-Y30
Y30

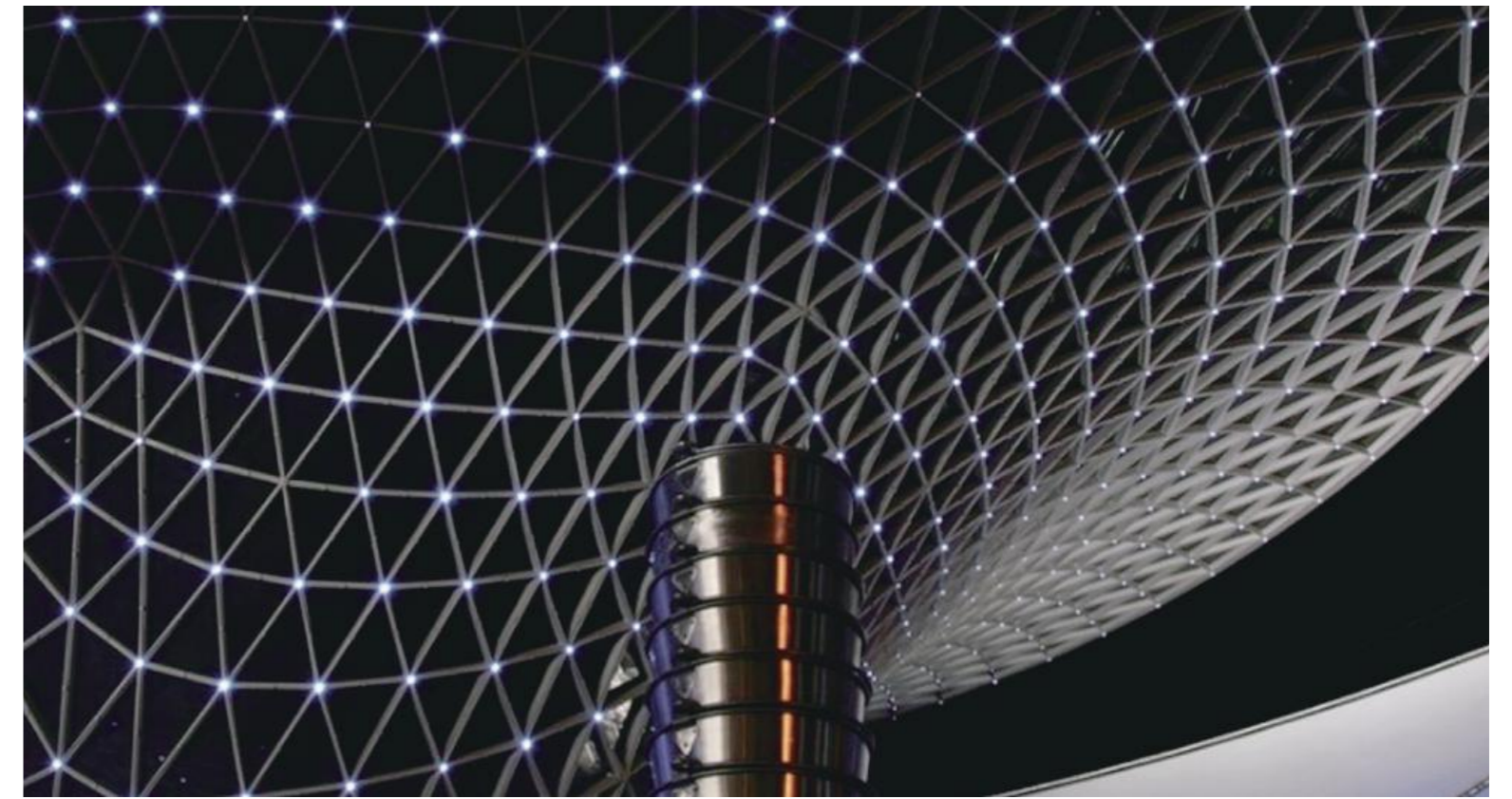


技术参数/PARAMETERS

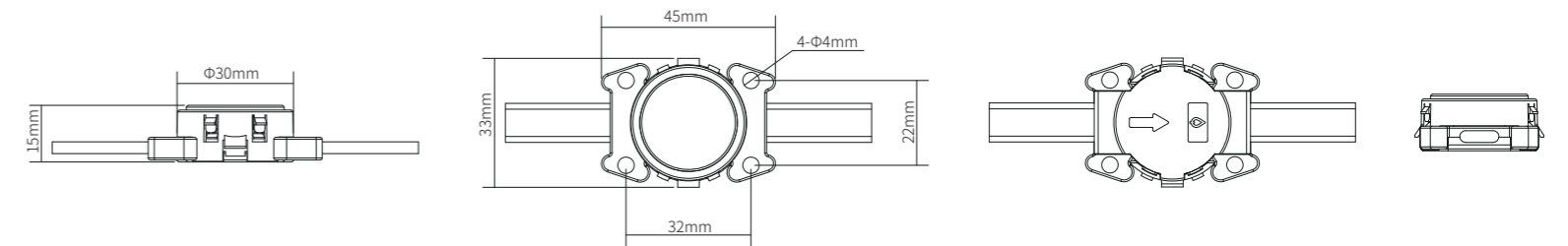
灯体材质: 防尘抗UV PC面罩	Housing material: Dustproof and anti-UV PC cover
ABS底座	ABS basement
正面全封灌胶结构	Full glue filling structure
安 装: 不可调角度	Installation: Non-adjustable bracket
钢丝卡扣安装、铝槽安装	Steel wire buckle, Aluminum groove installation
线 材: ON/OFF: 150mm两芯1mm ² 电源防水接头线	Cable: ON/OFF: 150mm two-core 1mm ² (Power cable)
DMX512: 150mm五芯2*1+3*0.3mm ² 电源+信号防水接头线	DMX512: 150mm five-core 2*1+3*0.3mm ² (Power and signal in a cable)

产品特性/FEATURES&BENEFITS

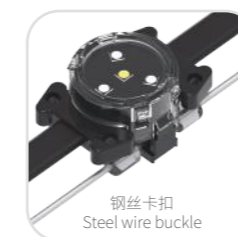
小巧精致, 易隐藏, 完美融入安装场景	Small size and delicate, easy to hide, perfect into the installation scene
宽电压输入方案: 精密的方案设计, 高效输出, 响应节能战略	Wide Voltage Input: Precise electronic scheme, powerful reach and energy-saving.
支持多种数据传输协议DMX512	Support a variety of data transmission protocols: DMX512
多位处理技术: 支持亮度调节, 内置亮灯模式设置, 自动编码	Multi-bit processing technology: Support brightness adjustment, built-in lighting mode setting, automatic coding



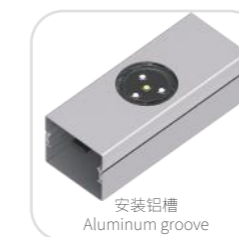
尺寸/DIMENSIONS



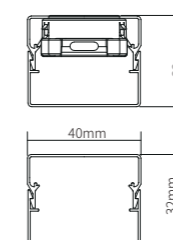
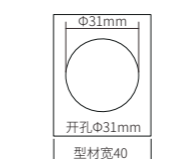
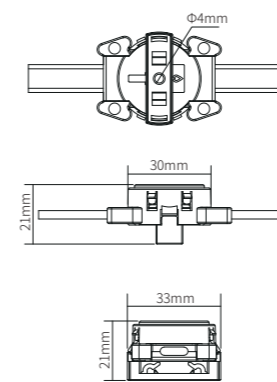
其他尺寸/OTHER DIMENSIONS



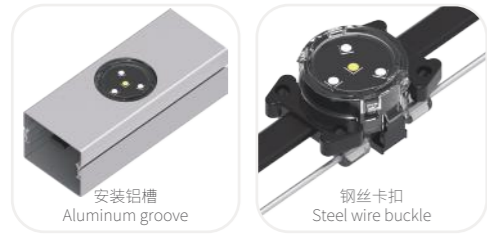
KMDG-Y30 -GS



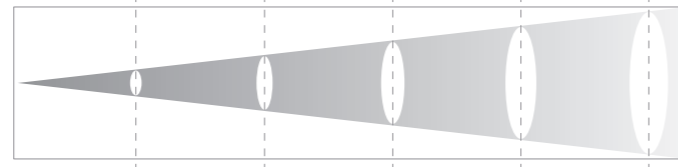
KMDG-Y30 -LC



EVO 配件/EVO ACCESSORIES



光学数据/OPTICAL DATA



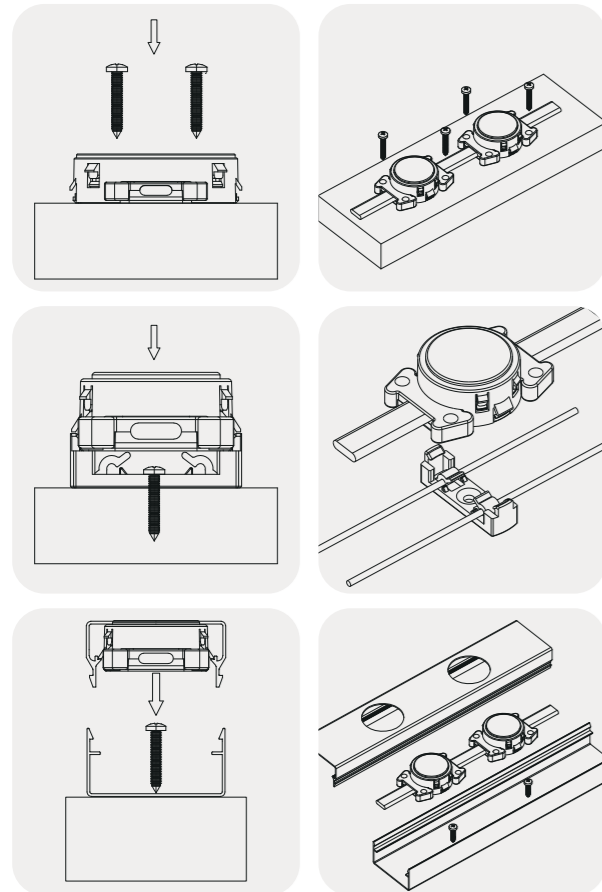
功率/Power 0.72W

距离 m	1	2	3	4	5
105° 照度 lux	7.22	1.81	0.80	0.45	0.29
光圈直径 m	2.59	5.18	7.77	10.36	12.95

型号信息/MODEL INFORMATION

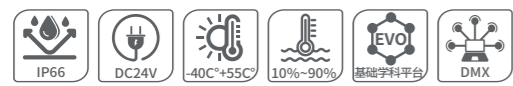
产品型号 Model	尺寸 Size	功率 Power(Pcs)	电压 Voltage	色温 Color Temperature	角度 Beam Angles	控制协议 Control	芯片品牌 Chips Brand
KMDG-Y30-3A	Φ30*15mm	0.72W(3pcs)	DC12V	1800K-6500K	105°	OFF/ON DMX512	CREE OSRAM EPISTAR LUMILEDS SANAN
KMDG-Y30-3C	Φ30*15mm	0.72W(3pcs)		RGB		DMX512	
KMDG-Y30-4D	Φ30*15mm	0.96W(4pcs)		RGB+W			

安装示意图/INSTALLATION DIAGRAM



LED 点光源/LED POINT LIGHT SOURCE

KMDG-Y40
Y40



技术参数/PARAMETERS

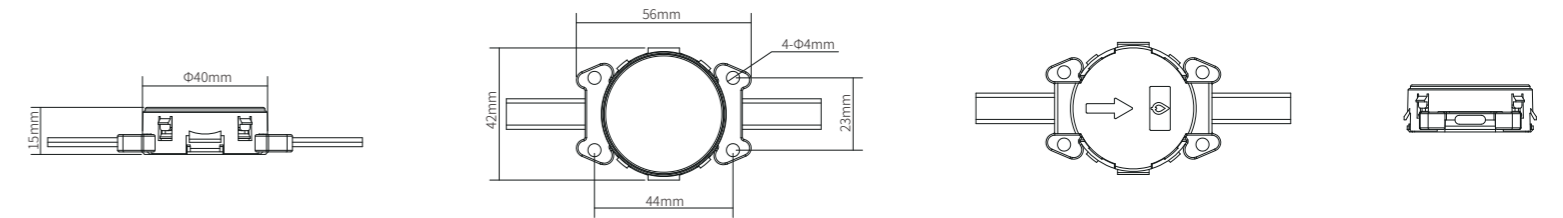
灯体材质: 防尘抗UV PC面罩	Housing material: Dustproof and anti-UV PC cover
ABS底座	ABS basement
正面全封灌胶结构	Full glue filling structure
安 装: 不可调角度	Installation: Non-adjustable bracket
钢丝卡扣安装	Steel wire buckle
线 材: ON/OFF: 150mm两芯1mm ² 电源防水接头线	Cable: ON/OFF: 150mm two-core 1mm ² (Power cable)
DMX512: 150mm五芯2*1+3*0.3mm ² 电源+信号防水接头线	DMX512: 150mm five-core 2*1+3*0.3mm ² (Power and signal in a cable)

产品特性/FEATURES&BENEFITS

小巧精致, 易隐藏, 完美融入安装场景	Small size and delicate, easy to hide, perfect into the installation scene
宽电压输入方案: 精密的方案设计, 高效输出, 响应节能战略	Wide Voltage Input: Precise electronic scheme, powerful reach and energy-saving
支持多种数据传输协议DMX512	Support a variety of data transmission protocols: DMX512
多位处理技术: 支持亮度调节, 内置亮灯模式设置, 自动编码	Multi-bit processing technology: Support brightness adjustment, built-in lighting mode setting, automatic coding



尺寸/DIMENSIONS



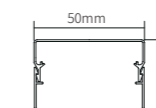
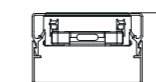
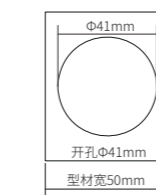
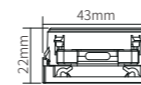
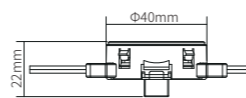
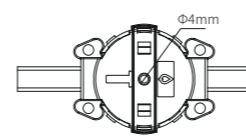
其他尺寸/OTHER DIMENSIONS



KMDG-Y40 -GS



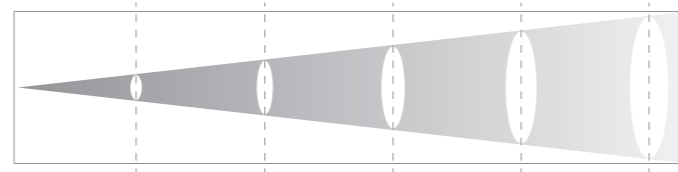
KMDG-Y40 -LC



EVO 配件/EVO ACCESSORIES



光学数据/OPTICAL DATA



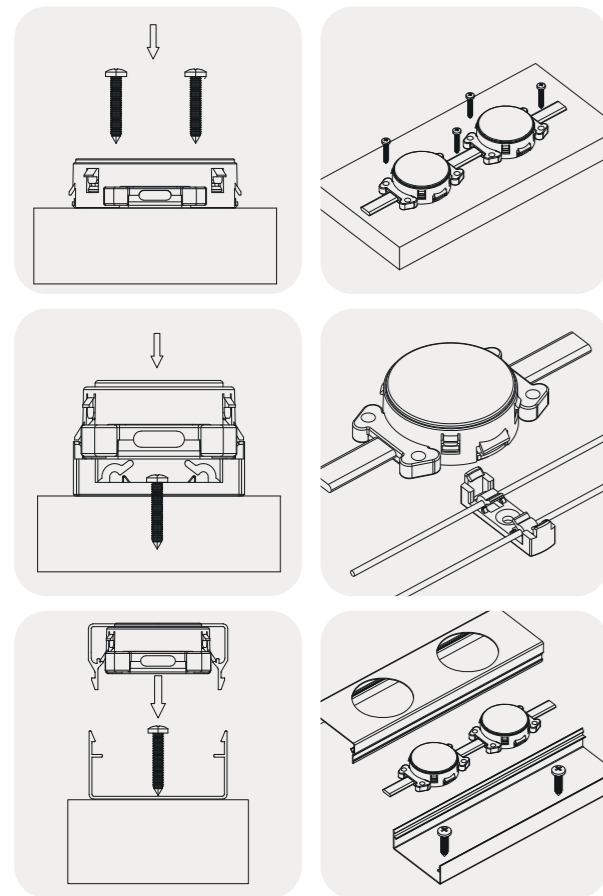
功率/Power 1.44W

距离 m	1	2	3	4	5
105° 照度 lux	14.44	3.61	1.60	0.90	0.58
光圈直径 m	2.59	5.18	7.77	10.36	12.95

型号信息/MODEL INFORMATION

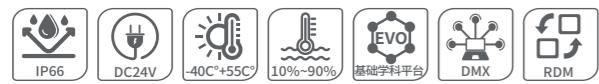
产品型号 Model	尺寸 Size	功率 Power(Pcs)	电压 Voltage	色温 Color Temperature	角度 Beam Angles	控制协议 Control	芯片品牌 Chips Brand
KMDG-Y40-6A	φ40*15mm	1.44W(6pcs)	DC24V	1800K-6500K	105°	OFF/ON DMX512	CREE OSRAM EPISTAR LUMILEDS SANAN
KMDG-Y40-6C	φ40*15mm	1.44W(6pcs)	DC24V	RGB		DMX512	
KMDG-Y40-8D	φ40*15mm	1.96W(8pcs)	DC24V	RGB+W			

安装示意图/INSTALLATION DIAGRAM



LED 点光源/LED POINT LIGHT SOURCE

KMDG-Y50
Y50

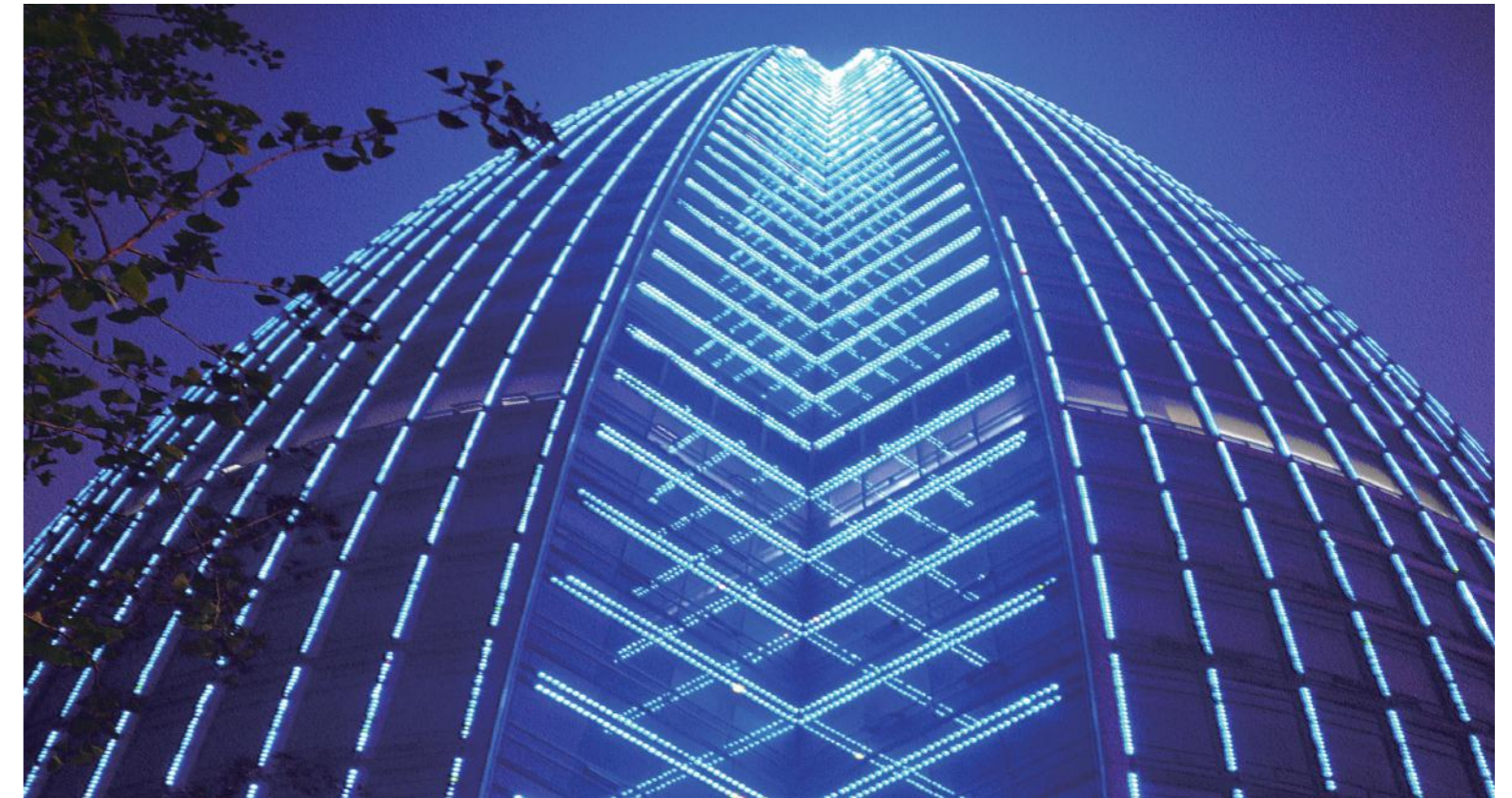


技术参数/PARAMETERS

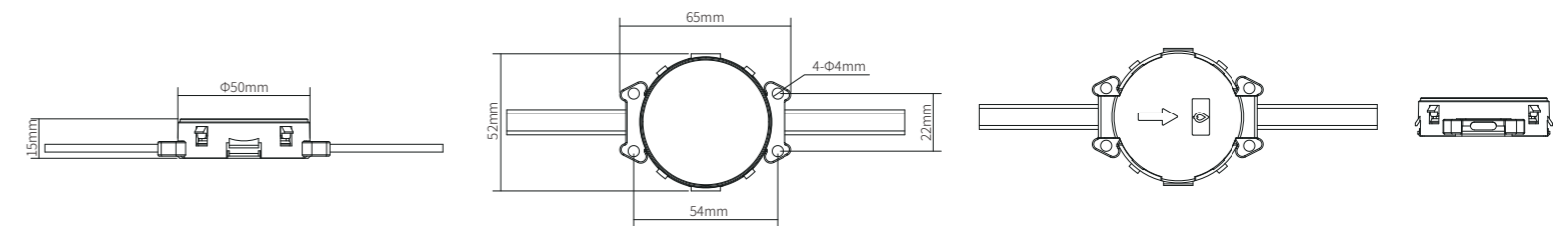
灯体材质: 防尘抗UV PC面罩	Housing material: Dustproof and anti-UV PC cover
ABS底座	ABS basement
正面全封灌胶结构	Full glue filling structure
安 装: 不可调角度	Installation: Non-adjustable bracket
钢丝卡扣安装	Steel wire buckle
线 材: ON/OFF: 150mm两芯1mm ² 电源防水接头线	Cable: ON/OFF: 150mm two-core 1mm ² (Power cable)
DMX512: 150mm五芯2*1+3*0.3mm ² 电源+信号防水接头线	DMX512: 150mm five-core 2*1+3*0.3mm ² (Power and signal in a cable)

产品特性/FEATURES&BENEFITS

小巧精致, 易隐藏, 完美融入安装场景	Small size and delicate, easy to hide, perfect into the installation scene
宽电压输入方案: 精密的方案设计, 高效输出, 响应节能战略	Wide Voltage Input: Precise electronic scheme, powerful reach and energy-saving
支持多种数据传输协议DMX512, DMX512-RDM	Support a variety of data transmission protocols: DMX512, DMX512-RDM
多位处理技术: 支持多通道模式, 频闪, CCT色温调节, 总调光, RGBW/A/L模式, CMY模式, 调光模式等多功能选项	Multibit processing technique: support multi-channel mode, stroboscopic, CCT color temperature adjustment, RGBW/A/L mode, CMY mode and other multi-functional options
选配过压/过流监测保护, 温度监测管理, 白平衡管理, 多色单通道高光效管理, CCT/DUV/高亮/高显色温管理, 色彩灰阶校正管理	Optional overvoltage/overcurrent monitoring protection, temperature monitoring management, whitebalance management, multi-color single pass high light efficiency management, CCT/DUV highbrightness/high color temperature management, color gray level correction management



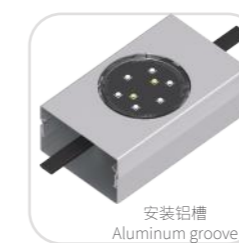
尺寸/DIMENSIONS



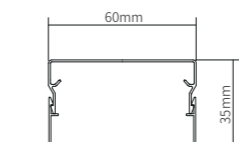
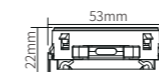
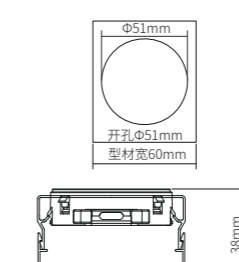
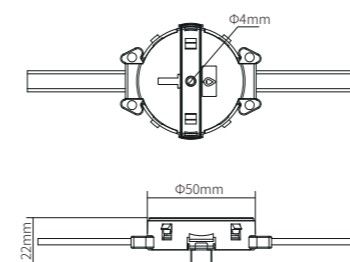
其他尺寸/OTHER DIMENSIONS



KMDG-Y50 -GS



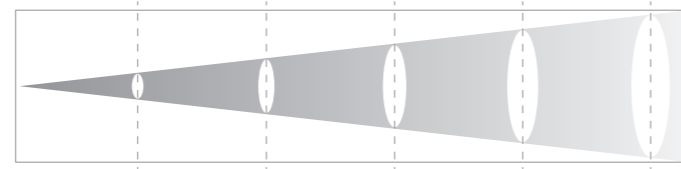
KMDG-Y50 -LC



EVO 配件/EVO ACCESSORIES



光学数据/OPTICAL DATA



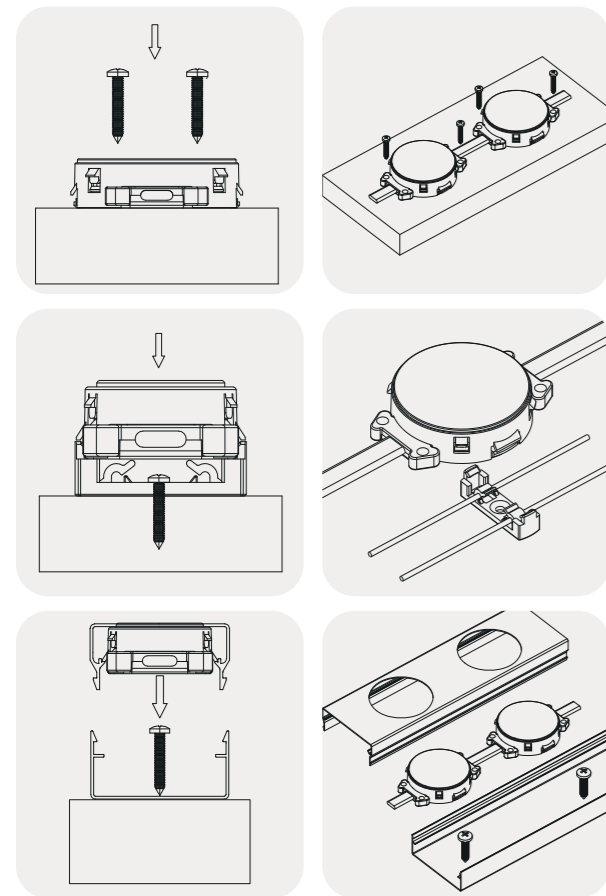
功率/Power 1.44W

距离 m	1	2	3	4	5
105° 照度 lux	14.44	3.61	1.60	0.90	0.58
光圈直径 m	2.59	5.18	7.77	10.36	12.95

型号信息/MODEL INFORMATION

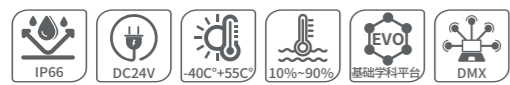
产品型号 Model	尺寸 Size	功率 Power(Pcs)	电压 Voltage	色温 Color Temperature	角度 Beam Angles	控制协议 Control	芯片品牌 Chips Brand
KMDG-Y50-6A	φ50*14.5mm	1.44W(6pcs)	DC24V	1800K-6500K	105°	OFF/ON DMX512★★★★	CREE OSRAM EPISTAR LUMILEDS SANAN
KMDG-Y50-6C		1.44W(6pcs)		RGB		DMX512★★★★	
KMDG-Y50-10D		2.4W(10pcs)		RGB+W			

安装示意图/INSTALLATION DIAGRAM



LED 点光源/LED POINT LIGHT SOURCE

KMDG-C50
C50

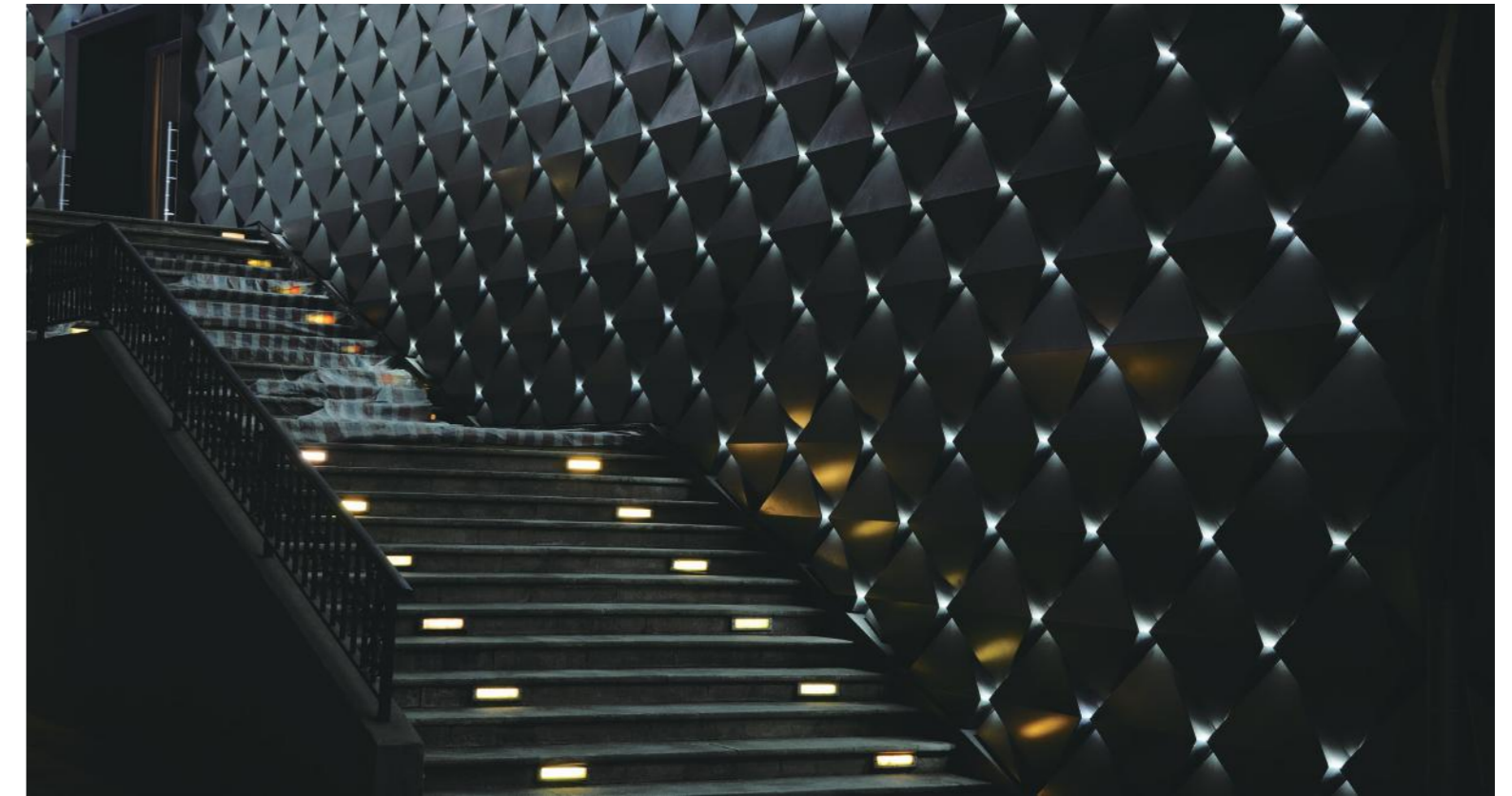


技术参数/PARAMETERS

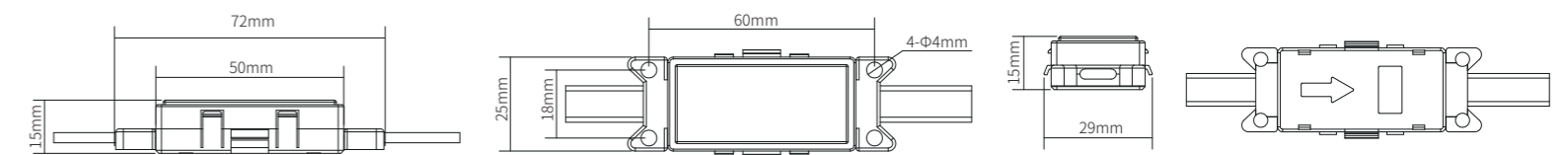
灯体材质: 防尘抗UV PC面罩	Housing material: Dustproof and anti-UV PC cover
ABS底座	ABS basement
正面全封灌胶结构	Full glue filling structure
安 装: 不可调角度	Installation: Non-adjustable bracket
钢丝卡扣安装	Steel wire buckle
线 材: ON/OFF: 150mm两芯1mm ² 电源防水接头线	Cable: ON/OFF: 150mm two-core 1mm ² (Power cable)
DMX512: 150mm五芯2*1+3*0.3mm ² 电源+信号防水接头线	DMX512: 150mm five-core 2*1+3*0.3mm ² (Power and signal in a cable)

产品特性/FEATURES&BENEFITS

小巧精致, 易隐藏, 完美融入安装场景	Small size and delicate, easy to hide, perfect into the installation scene
宽电压输入方案: 精密的方案设计, 高效输出, 响应节能战略	Wide Voltage Input: Precise electronic scheme, powerful reach and energy-saving
支持多种数据传输协议DMX512	Support a variety of data transmission protocols: DMX512
多位处理技术: 支持亮度调节, 内置亮灯模式设置, 自动编码	Multi-bit processing technology: Support brightness adjustment, built-in lighting mode setting, automatic coding



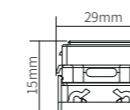
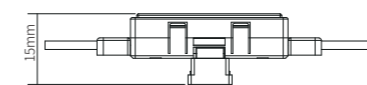
尺寸/DIMENSIONS



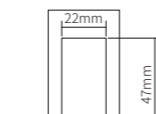
其他尺寸/OTHER DIMENSIONS



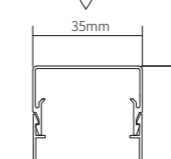
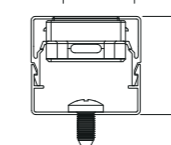
KMDG-C50-GS



KMDG-C50-LC



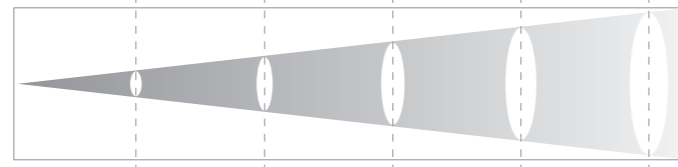
开孔L47*W22mm
铝材宽35mm



EVO 配件/EVO ACCESSORIES



光学数据/OPTICAL DATA



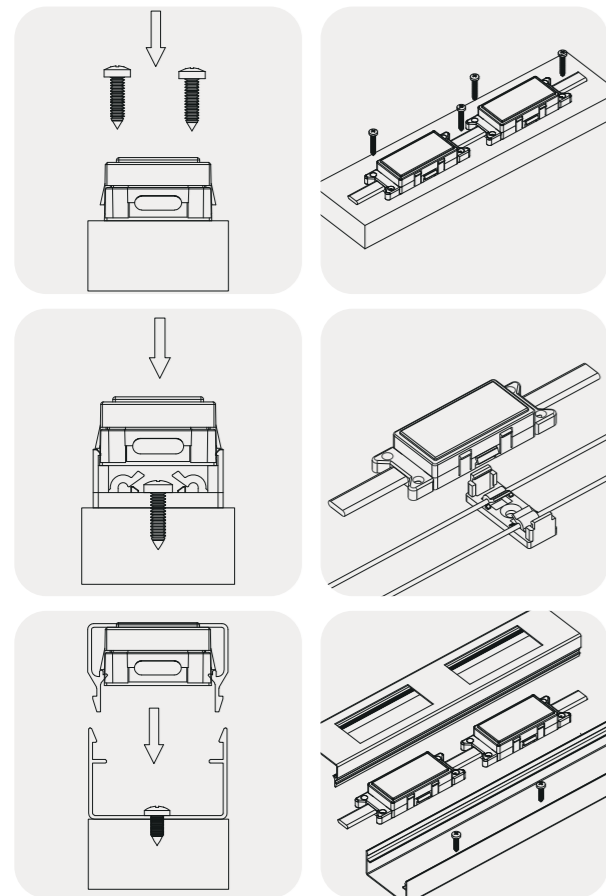
功率/Power 1.44W

距离 m	1	2	3	4	5
105° 照度 lux	14.44	3.61	1.60	0.90	0.58
光圈直径 m	2.59	5.18	7.77	10.36	12.95

型号信息/MODEL INFORMATION

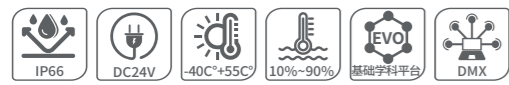
产品型号 Model	尺寸 Size	功率 Power(Pcs)	电压 Voltage	色温 Color Temperature	角度 Beam Angles	控制协议 Control	芯片品牌 Chips Brand
KMDG-C50-6A	72*25*15mm	1.44W(6pcs)	DC24V	1800K-6500K	105°	OFF/ON DMX512	CREE OSRAM EPISTAR LUMILEDS SANAN
KMDG-C50-6C		1.44W(6pcs)		RGB		DMX512	
KMDG-C50-8D		1.96W(8pcs)		RGB+W			

安装示意图/INSTALLATION DIAGRAM



LED 点光源/LED POINT LIGHT SOURCE

KMDG-C80
C80



技术参数/PARAMETERS

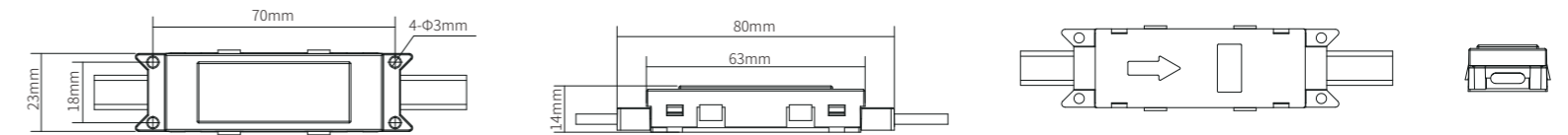
灯体材质: 防尘抗UV PC面罩	Housing material: Dustproof and anti-UV PC cover
ABS底座	ABS basement
正面全封灌胶结构	Full glue filling structure
安 装: 不可调角度	Installation: Non-adjustable bracket
钢丝卡扣安装	Steel wire buckle
线 材: ON/OFF: 150mm两芯1mm ² 电源防水接头线	Cable: ON/OFF: 150mm two-core 1mm ² (Power cable)
DMX512: 150mm五芯2*1+3*0.3mm ² 电源+信号防水接头线	DMX512: 150mm five-core 2*1+3*0.3mm ² (Power and signal in a cable)

产品特性/FEATURES&BENEFITS

小巧精致, 易隐藏, 完美融入安装场景	Small size and delicate, easy to hide, perfect into the installation scene
宽电压输入方案: 精密的方案设计, 高效输出, 响应节能战略	Wide Voltage Input: Precise electronic scheme, powerful reach and energy-saving
支持多种数据传输协议DMX512	Support a variety of data transmission protocol: DMX512
多位处理技术: 支持亮度调节, 内置亮灯模式设置, 自动编码	Multi-bit processing technology: Support brightness adjustment, built-in lighting mode setting, automatic coding



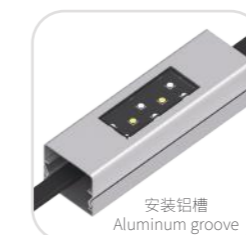
尺寸/DIMENSIONS



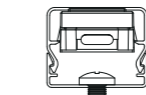
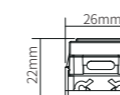
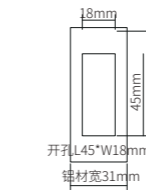
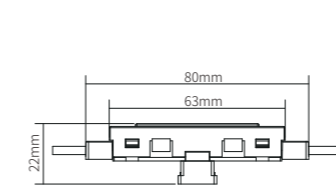
其他尺寸/OTHER DIMENSIONS



KMDG-C80 -GS



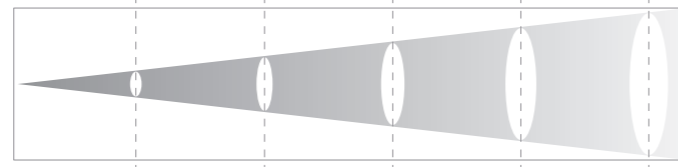
KMDG-C80 -LC



EVO 配件/EVO ACCESSORIES



光学数据/OPTICAL DATA



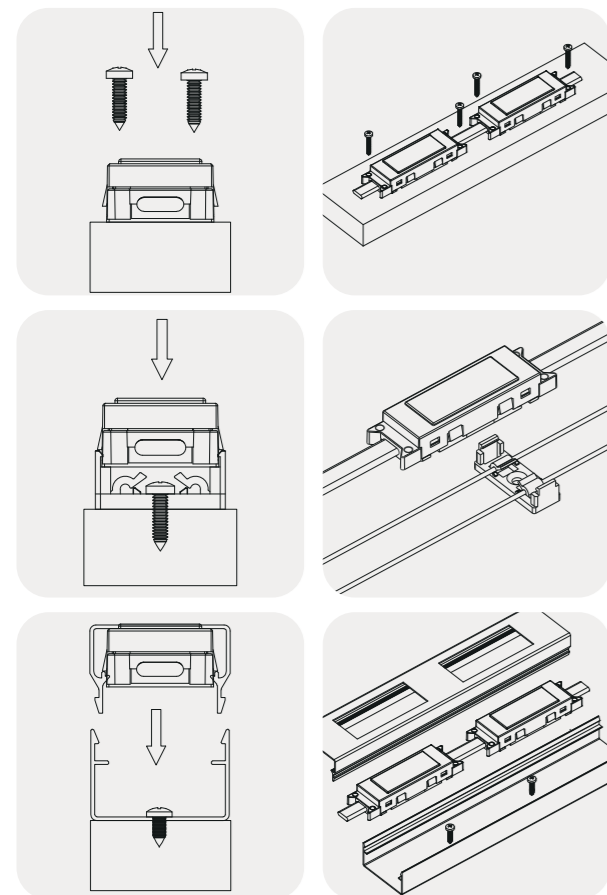
功率/Power 1.44W

距离 m	1	2	3	4	5
105° 照度 lux	14.44	3.61	1.60	0.90	0.58
光圈直径 m	2.59	5.18	7.77	10.36	12.95

型号信息/MODEL INFORMATION

产品型号 Model	尺寸 Size	功率 Power(Pcs)	电压 Voltage	色温 Color Temperature	角度 Beam Angles	控制协议 Control	芯片品牌 Chips Brand
KMDG-C80-6A	80*23*14mm	1.44W(6pcs)	DC24V	1800K-6500K	105°	OFF/ON DMX512	CREE OSRAM EPISTAR LUMILEDS SANAN
KMDG-C80-6C		1.44W(6pcs)		RGB		DMX512	
KMDG-C80-8D		1.96W(8pcs)		RGB+W			

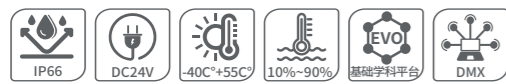
安装示意图/INSTALLATION DIAGRAM



LED 点光源/LED POINT LIGHT SOURCE

KMDG-KM45

KM45



技术参数/PARAMETERS

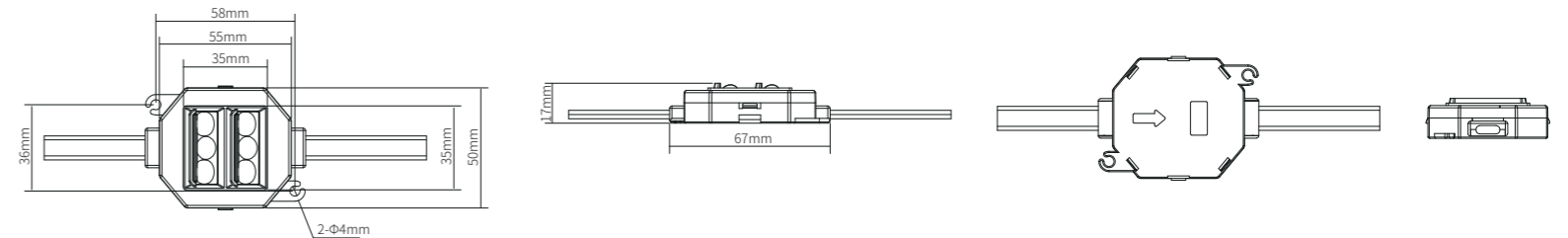
灯体材质:	防尘抗UV PC面罩	Housing material:	Dustproof and anti-UV PC cover
	ABS底座		ABS basement
	正面全封灌胶结构		Full glue filling structure
安 装:	不可调角度	Installation:	Non-adjustable bracket
	钢丝卡扣安装		Steel wire buckle
线 材:	ON/OFF: 150mm两芯1mm ² 电源防水接头线	Cable:	ON/OFF: 150mm two-core 1mm ² (Power cable)
	DMX512: 150mm五芯2*1+3*0.3mm ² 电源+信号防水接头线		DMX512: 150mm five-core 2*1+3*0.3mm ² (Power and signal in a cable)

产品特性/FEATURES&BENEFITS

小巧精致, 易隐藏, 完美融入安装场景	Small size and delicate, easy to hide, perfect into the installation scene
宽电压输入方案: 精密的方案设计, 高效输出, 响应节能战略	Wide Voltage Input: Precise electronic scheme, powerful reach and energy-saving
支持多种数据传输协议DMX512	Support a variety of data transmission protocol :DMX512
多位处理技术: 支持亮度调节, 内置亮灯模式设置, 自动编码	Multi-bit processing technology: Support brightness adjustment, built-in lighting mode setting, automatic coding



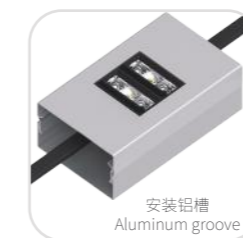
尺寸/DIMENSIONS



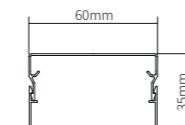
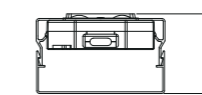
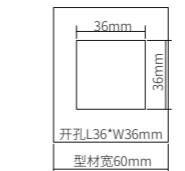
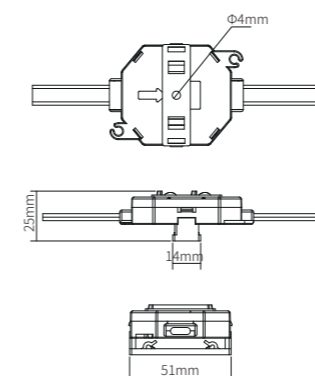
其他尺寸/OTHER DIMENSIONS



KMDG-KM45 -GS



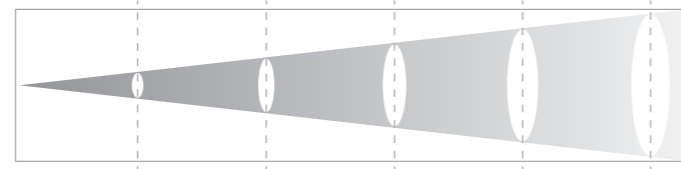
KMDG-KM45 -LC



EVO 配件/EVO ACCESSORIES



光学数据/OPTICAL DATA



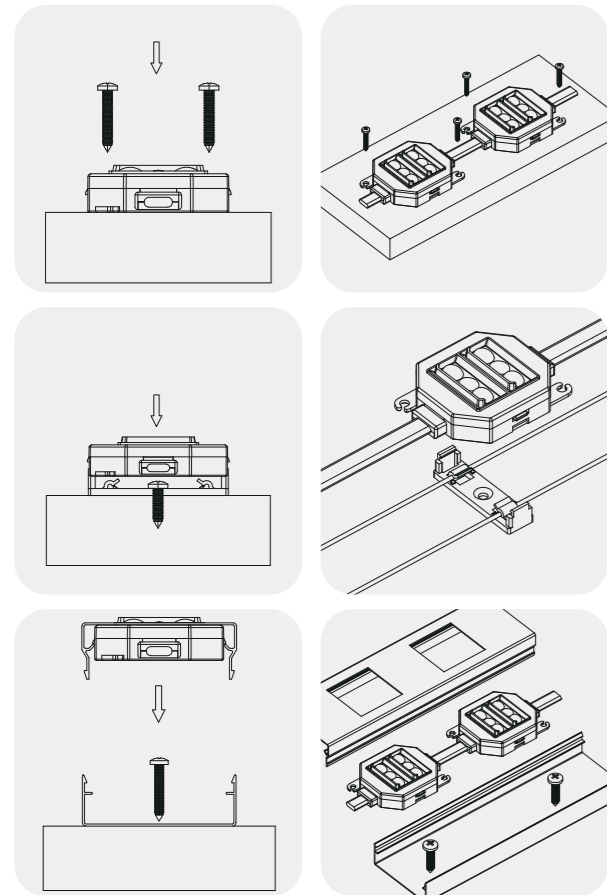
功率/Power 1.44W

距离 m	1	2	3	4	5
60°110° 照度 lux	4.67	1.17	0.52	0.29	0.19
光圈直径 m	2.59	5.18	7.77	10.36	12.95

型号信息/MODEL INFORMATION

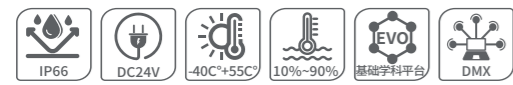
产品型号 Model	尺寸 Size	功率 Power(Pcs)	电压 Voltage	色温 Color Temperature	角度 Beam Angles	控制协议 Control	芯片品牌 Chips Brand
KMDG-KW45-6C	55*50*17mm	1.44W(6pcs)	DC24V	RGB	90° 偏光 15°	DMX512	CREE
KMDG-KW45-6D		1.96W(6pcs)		RGB+W			OSRAM
							EPISTAR
							LUMILEDS
							SANAN

安装示意图/INSTALLATION DIAGRAM



LED 点光源/LED POINT LIGHT SOURCE

KMDG-KM55
KM55



技术参数/PARAMETERS

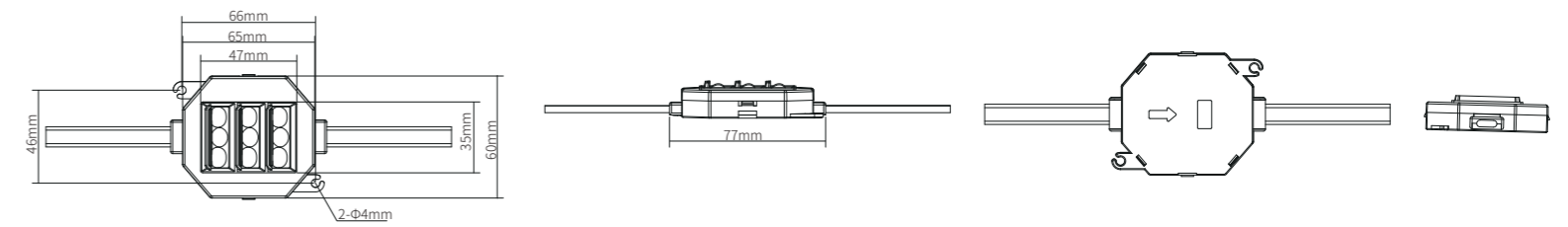
灯体材质:	防尘抗UV PC面罩	Housing material:	Dustproof and anti-UV PC cover
	ABS底座		ABS basement
	正面全封灌胶结构		Full glue filling structure
安 装:	不可调角度	Installation:	Non-adjustable bracket
	钢丝卡扣安装		Steel wire buckle
线 材:	ON/OFF: 150mm两芯1mm ² 电源防水接头线	Cable:	ON/OFF: 150mm two-core 1mm ² (Power cable)
	DMX512: 150mm五芯2*1+3*0.3mm ² 电源+信号防水接头线		DMX512: 150mm five-core 2*1+3*0.3mm ² (Power and signal in a cable)

产品特性/FEATURES&BENEFITS

小巧精致, 易隐藏, 完美融入安装场景	Small size and delicate, easy to hide, perfect into the installation scene
宽电压输入方案: 精密的方案设计, 高效输出, 响应节能战略	Wide Voltage Input: Precise electronic scheme, powerful reach and energy-saving
支持多种数据传输协议DMX512	Support a variety of data transmission protocol :DMX512
多位处理技术: 支持亮度调节, 内置亮灯模式设置, 自动编码	Multi-bit processing technology: Support brightness adjustment, built-in lighting mode setting, automatic coding



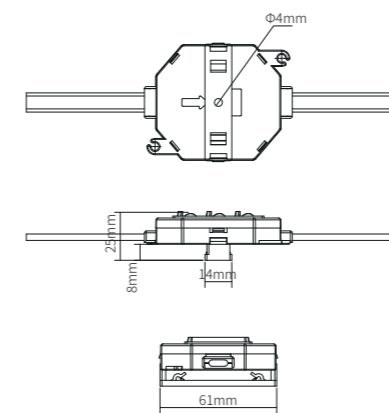
尺寸/DIMENSIONS



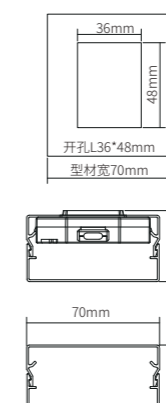
其他尺寸/OTHER DIMENSIONS



KMDG-KM55 -GS



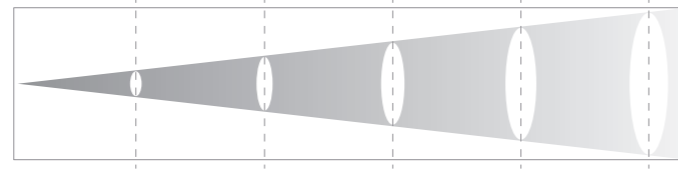
KMDG-KM55 -LC



EVO 配件/EVO ACCESSORIES



光学数据/OPTICAL DATA



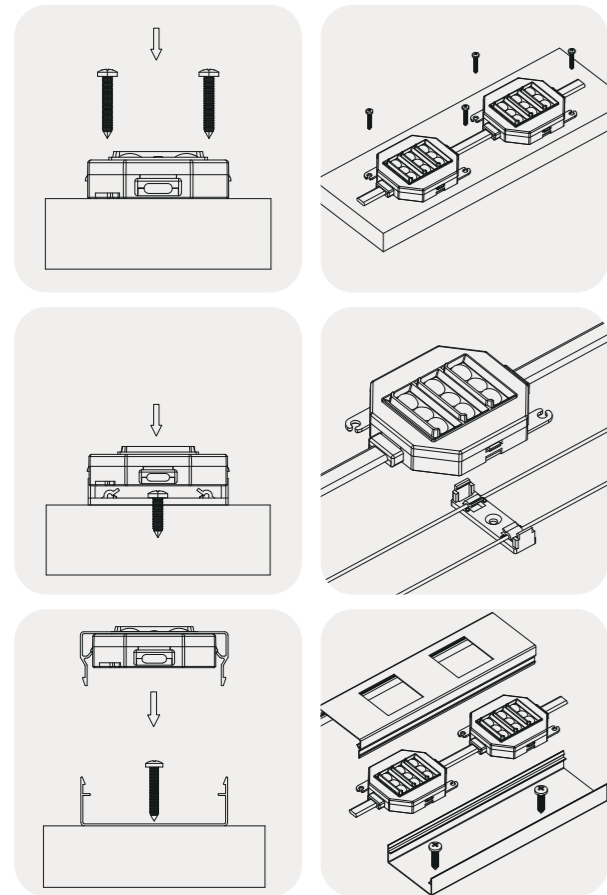
功率/Power 2.88W

距离 m	1	2	3	4	5
60°110° 照度 lux	16.06	4.02	1.78	1.00	0.64
光圈直径 m	2.59	5.18	7.77	10.36	12.95

型号信息/MODEL INFORMATION

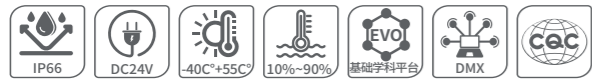
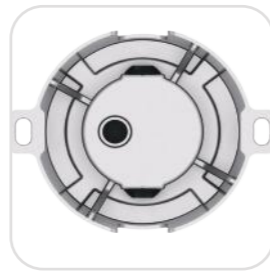
产品型号 Model	尺寸 Size	功率 Power(Pcs)	电压 Voltage	色温 Color Temperature	角度 Beam Angles	控制协议 Control	芯片品牌 Chips Brand
KMDG-KW55-9C	65*60*17mm	2.16W9 灯	DC24V	RGB	90°偏光 15°	DMX512	CREE OSRAM
KMDG-KW55-9D	65*60*17mm	2.88W9 灯	DC24V	RGB+W	90°偏光 15°		EPISTAR LUMILEDS SANAN

安装示意图/INSTALLATION DIAGRAM



LED 点光源/LED POINT LIGHT SOURCE

KMDG-XG1.0
星光1.0

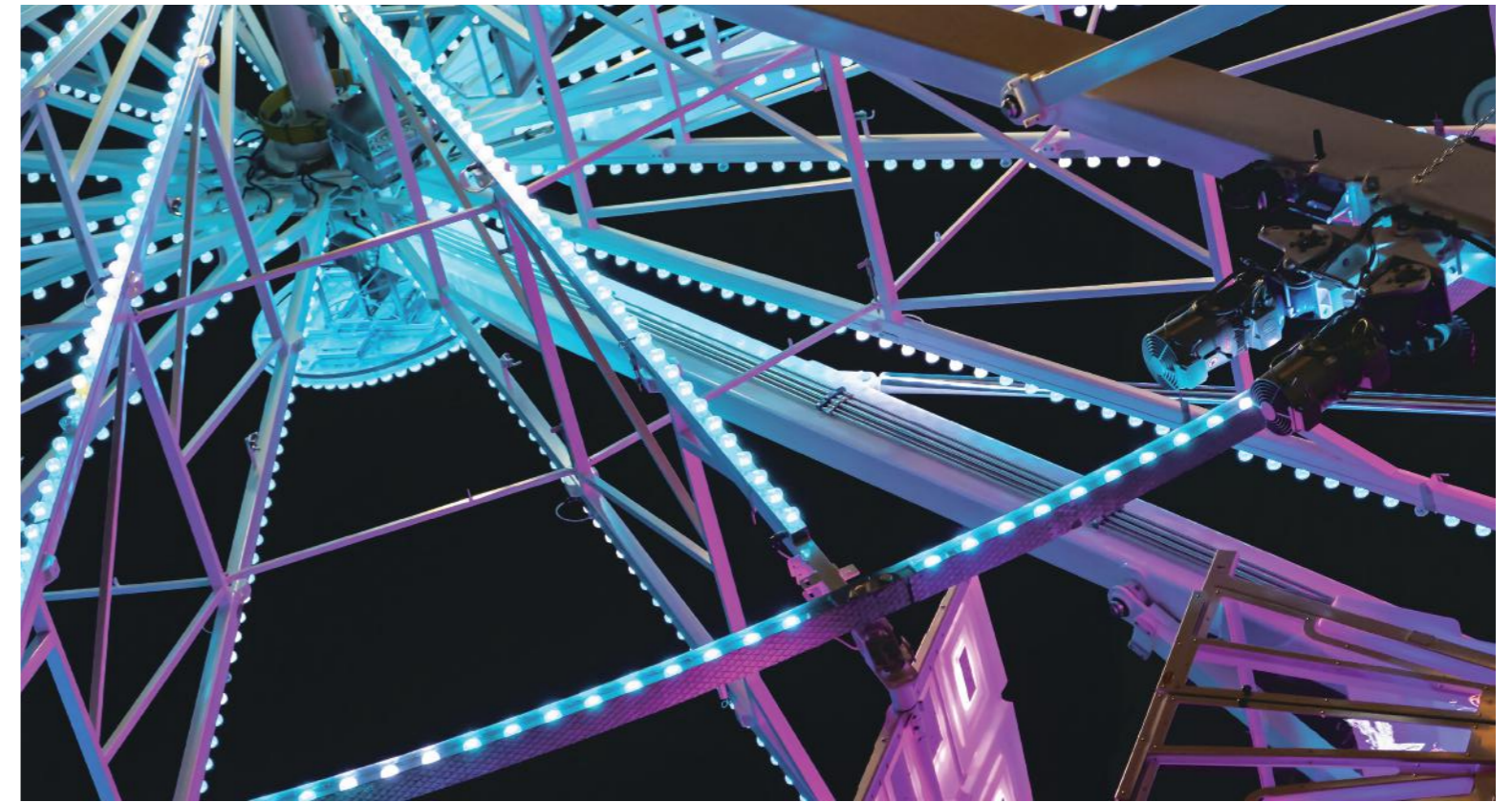


技术参数/PARAMETERS

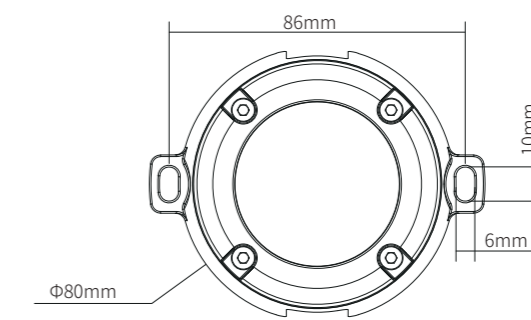
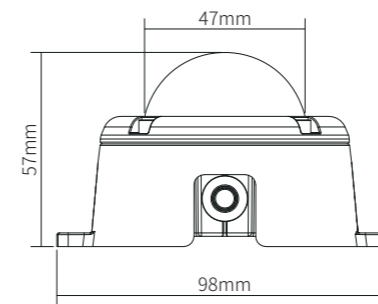
灯体材质: 高强度压铸铝灯体	Housing material: High strength die-cast aluminum
扩散乳白PC罩或菱形罩	Diffused PC cover or diamond cover
防水密封硅胶垫	Waterproof Silicone gasket
安 装: 不可调角度	Installation: Non-adjustable bracket
灯具禁止安装在低洼积水处	Luminaires are not allowed to be installed in low-lying water
线 材: ON/OFF: 150mm两芯1mm ² 电源防水接头线	Cable: ON/OFF: 150mm two-core 1mm ² (Power cable)
DMX512: 150mm五芯2*1+3*0.3mm ² 电源+信号防水	DMX512: 150mm five-core 2*1+3*0.3mm ² (Power and signal in a cable)

产品特性/FEATURES&BENEFITS

外观设计时尚圆润, 安装简易, 完美融入安装场景	Stylish and rounded design, easy to install, perfect into the installation scene
宽电压输入方案: 精密的方案设计, 高效输出, 响应节能战略	Wide Voltage Input: Precise electronic scheme, powerful reach and energy-saving.
支持多种数据传输协议DMX512	Support a variety of data transmission protocol :DMX512
多位处理技术: 支持亮度调节, 内置亮灯模式设置, 自动编码	Multi-bit processing technology: Support brightness adjustment, built-in lighting mode setting, automatic coding



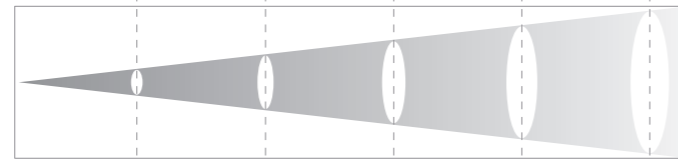
尺寸/DIMENSIONS



EVO 配件/EVO ACCESSORIES



光学数据/OPTICAL DATA



功率/Power 3W 透明菱形罩/Diamond shaped transparent cover

距离 m	1	2	3	4	5
90° 照度 lux	17.68	4.42	1.96	1.11	0.71
光圈直径 m	1.96	3.92	5.88	7.84	9.80

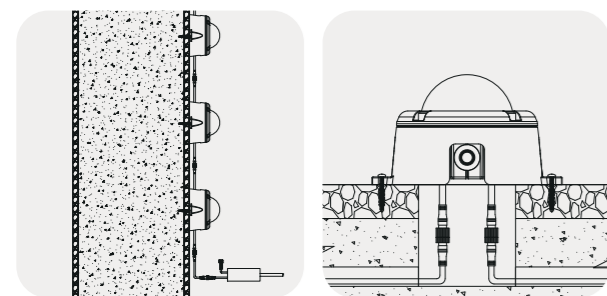
功率/Power 3W 奶白PC罩/Milky white PC cover

距离 m	1	2	3	4	5
120° 照度 lux	2.05	0.51	0.23	0.13	0.08
光圈直径 m	3.74	7.48	11.22	14.96	18.70

型号信息/MODEL INFORMATION

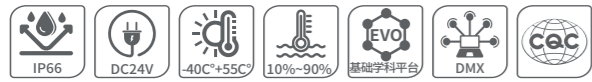
产品型号 Model	尺寸 Size	功率 Power(Pcs)	电压 Voltage	色温 Color Temperature	角度 Beam Angles	控制协议 Control	芯片品牌 Chips Brand
KMDG-XG1.0-6A	φ 80*57mm	3W6pcs	DC24V	1800K -6500K	90°/120°	OFF/ON DMX512	CREE OSRAM EPISTAR LUMILEDS SANAN
KMDG-XG1.0-6B		3W6pcs		1800K -3000K+4000K -6500K		DMX512	
KMDG-XG1.0-6C		3W6pcs		RGB			
KMDG-XG1.0-6D		5W6pcs		RGBW			

安装示意图/INSTALLATION DIAGRAM



LED 点光源/LED POINT LIGHT SOURCE

KMDG-XG2.0
星光2.0



技术参数/PARAMETERS

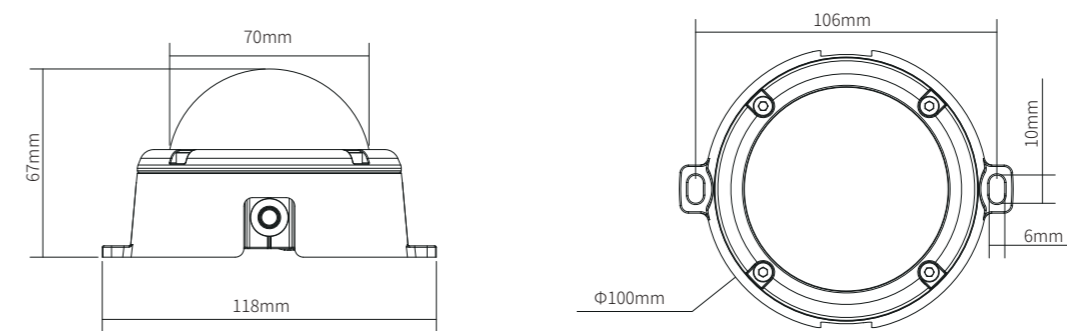
灯体材质: 高强度压铸铝灯体	Housing material: High strength die-cast aluminum
扩散乳白PC罩或菱形罩	Diffused PC cover or diamond cover
防水密封硅胶垫	Waterproof Silicone gasket
安 装: 不可调角度	Installation: Non-adjustable bracket
灯具禁止安装在低洼积水处	Luminaires are not allowed to be installed in low-lying water
线 材: ON/OFF: 150mm两芯1mm ² 电源防水接头线	Cable: ON/OFF: 150mm two-core 1mm ² (Power cable)
DMX512: 150mm五芯2*1+3*0.3mm ² 电源+信号防水	DMX512: 150mm five-core 2*1+3*0.3mm ² (Power and signal in a cable)

产品特性/FEATURES&BENEFITS

外观设计时尚圆润, 安装简易, 完美融入安装场景	Stylish and rounded design, easy to install, perfect into the installation scene
宽电压输入方案: 精密的方案设计, 高效输出, 响应节能战略	Wide Voltage Input: Precise electronic scheme, powerful reach and energy-saving.
支持多种数据传输协议DMX512	Support a variety of data transmission protocol :DMX512
多位处理技术: 支持亮度调节, 内置亮灯模式设置, 自动编码	Multi-bit processing technology: Support brightness adjustment, built-in lighting mode setting, automatic coding



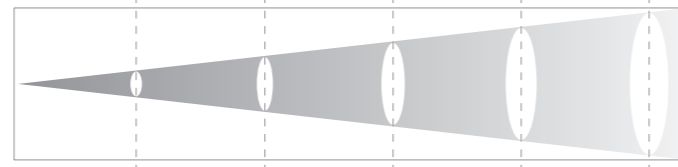
尺寸/DIMENSIONS



EVO 配件/EVO ACCESSORIES



光学数据/OPTICAL DATA



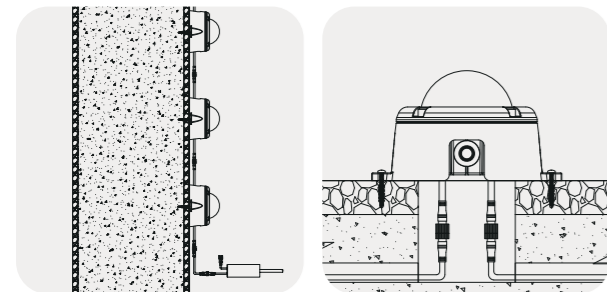
功率/Power 6W 透明菱形罩/Diamond shaped transparent cover

距离 m	1	2	3	4	5
105° 照度 lux	60.51	15.13	6.72	3.78	2.42
光圈直径 m	2.59	5.18	7.77	10.36	12.95

功率/Power 6W 奶白PC罩/Milky white PC cover

距离 m	1	2	3	4	5
145° 照度 lux	16.62	4.16	1.85	1.04	0.66
光圈直径 m	6.33	12.66	18.99	25.32	31.65

安装示意图/INSTALLATION DIAGRAM

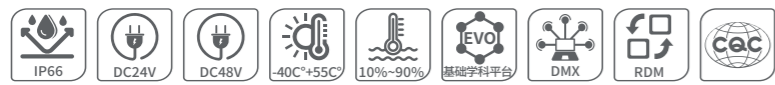


型号信息/MODEL INFORMATION

产品型号 Model	尺寸 Size	功率 Power(Pcs)	电压 Voltage	色温 Color Temperature	角度 Beam Angles	控制协议 Control	芯片品牌 Chips Brand
KMDG-XG2.0-12A	φ 100*67mm	6W12pcs	DC24V	1800K-6500K	90°/120°	OFF/ON DMX512★	CREE OSRAM EPISTAR LUMILEDS SANAN
KMDG-XG2.0-12B		6W12pcs		1800K-3000K+4000K-6500K		DMX512★	
KMDG-XG2.0-12C		6W12pcs		RGB			
KMDG-XG2.0-12D		10W12pcs		RGBW			

LED 点光源/LED POINT LIGHT SOURCE

KMDG-XG3.0
星光3.0



技术参数/PARAMETERS

灯体材质: 高强度压铸铝灯体	Housing material: High strength die-cast aluminum
扩散乳白PC罩或菱形罩	Diffused PC cover or diamond cover
防水密封硅胶垫	Waterproof Silicone gasket
安 装: 不可调角度	Installation: Non-adjustable bracket
灯具禁止安装在低洼积水处	Luminaires are not allowed to be installed in low-lying water
线 材: ON/OFF: 150mm两芯1mm ² 电源防水接头线	Cable: ON/OFF: 150mm two-core 1mm ² (Power cable)
DMX512: 150mm五芯2*1+3*0.3mm ² 电源+信号防水	DMX512: 150mm five-core 2*1+3*0.3mm ² (Power and signal in a cable)

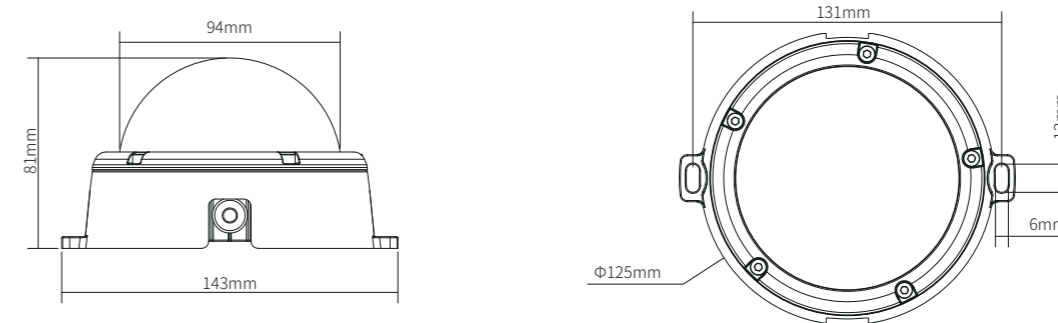
产品特性/FEATURES&BENEFITS

外观设计时尚圆润, 安装简易, 完美融入安装场景	Stylish and rounded design, easy to install, perfect into the installation scene
宽电压输入方案: 精密的方案设计, 高效输出, 响应节能战略	Wide Voltage Input: Precise electronic scheme, powerful reach and energy-saving.
支持多种数据传输协议DMX512, DMX512-RDM	Support a variety of data transmission protocols: DMX512, DMX512-RDM
多位处理技术: 支持多通道模式, 频闪, CCT色温调节, 总调光, RGBW/A/L 模式, CMY模式, 调光模式等多功能选项	Multibit Processing technique: Support multi-channel mode, stroboscopic, CCT color temperature adjustment, RGBW/A/L mode, CMY mode and other multi-functional options
选配过压/过流监测保护, 温度监测管理, 白平衡管理, 多色单通道高光效管理, CCT/DUV/高亮/高显色色温管理, 色彩灰阶校正管理	Optional overvoltage/overcurrent monitoring protection, temperature monitoring management, white balance management, multi-color single pass high light efficiency management, CCT/UV high brightness/high color temperature management, color gray level correction management



山东·滨州

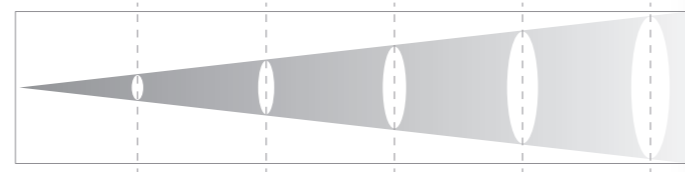
尺寸/DIMENSIONS



EVO 配件/EVO ACCESSORIES



光学数据/OPTICAL DATA



功率/Power 9W 透明菱形罩/Diamond shaped transparent cover

距离 m	1	2	3	4	5
105° 照度 lux	92.94	23.24	10.33	5.81	3.72
光圈直径 m	4.47	8.94	13.41	17.88	22.35

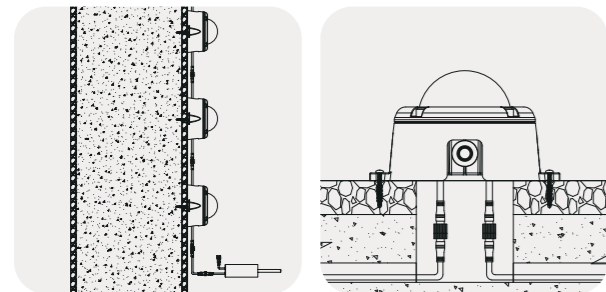
功率/Power 9W 奶白PC罩/Milky white PC cover

距离 m	1	2	3	4	5
145° 照度 lux	27.39	6.85	3.04	1.71	1.10
光圈直径 m	7.47	14.94	22.41	29.88	37.35

型号信息/MODEL INFORMATION

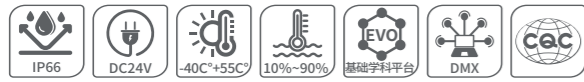
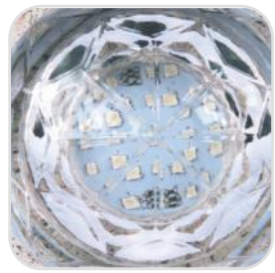
产品型号 Model	尺寸 Size	功率 Power(Pcs)	电压 Voltage	色温 Color Temperature	角度 Beam Angles	控制协议 Control	芯片品牌 Chips Brand
KMDG-XG3.0-12A	φ 125*81mm	9W18pcs	DC24V DC48V	1800K-6500K	90°/120°	OFF/ON DMX512★★★	CREE OSRAM EPISTAR LUMILEDS SANAN
KMDG-XG3.0-12B		9W18pcs		1800K-3000K+4000K-6500K			
KMDG-XG3.0-12C		9W18pcs		RGB			
KMDG-XG3.0-12D		15W18pcs		RGBW			

安装示意图/INSTALLATION DIAGRAM



LED 点光源/LED POINT LIGHT SOURCE

KMDG-HYX
海洋星



技术参数/PARAMETERS

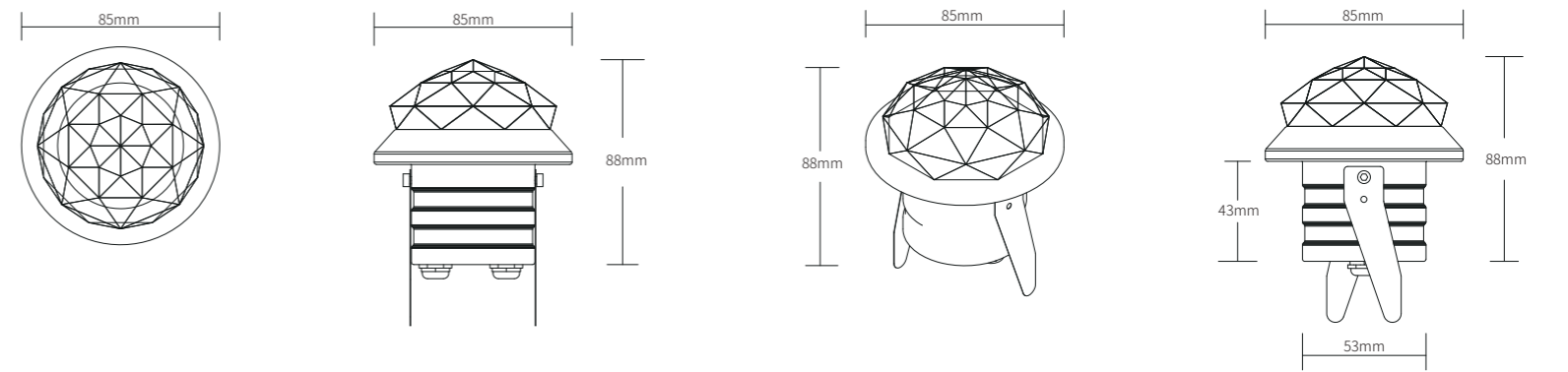
灯体材质: 高强度压铸铝灯体	Housing material: High strength die-cast aluminum
扩散乳白PC罩或菱形罩	Diffused PC cover or diamond cover
防水密封胶圈	Waterproof Silicone gasket
安 装: 不可调角度	Installation: Non-adjustable bracket
灯具禁止安装在低洼积水处	Luminaires are not allowed to be installed in low-lying water
线 材: ON/OFF: 150mm两芯1mm ² 电源防水接头线	Cable: ON/OFF: 150mm two-core 1mm ² (Power cable)
DMX512: 150mm五芯2*1+3*0.3mm ² 电源+信号防水	DMX512: 150mm five-core 2*1+3*0.3mm ² (Power and signal in a cable)

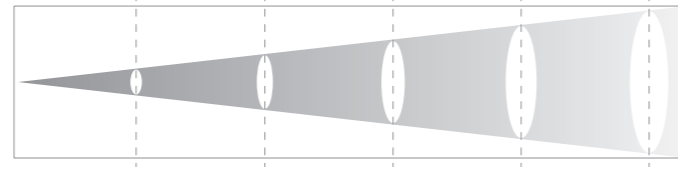
产品特性/FEATURES&BENEFITS

外观设计时尚圆润, 安装简易, 完美融入安装场景	Stylish and rounded design, easy to install, perfect into the installation scene
宽电压输入方案: 精密的方案设计, 高效输出, 响应节能战略	Wide Voltage Input: Precise electronic scheme, powerful reach and energy-saving.
支持多种数据传输协议DMX512	Support a variety of data transmission protocols: DMX512
多位处理技术: 支持亮度调节, 内置亮灯模式设置, 自动编码	Multi-bit processing technology: Support brightness adjustment, built-in lighting mode setting, automatic coding



尺寸/DIMENSIONS

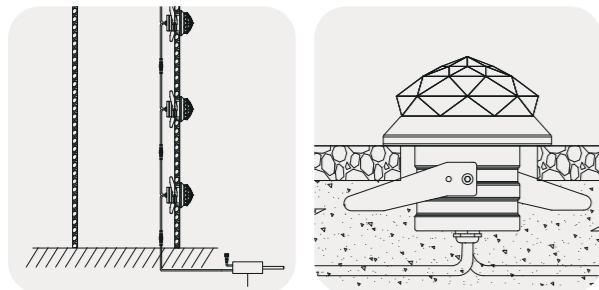




功率/Power 1.5W

距离 m	1	2	3	4	5
120° 照度 lux	12.45	3.11	1.38	0.78	0.50
光圈直径 m	3.21	6.42	9.63	12.84	16.05

产品型号 Model	尺寸 Size	功率 Power(Pcs)	电压 Voltage	色温 Color Temperature	角度 Beam Angles	控制协议 Control	芯片品牌 Chips Brand
KMDG-HYX-6A	φ 85*88mm 开孔 70mm	1.5W6pcs	DC24V	1800K-6500K	120°	OFF/ON DMX512	CREE OSRAM EPISTAR LUMILEDS SANAN
KMDG-HYX-6B		1.5W6pcs		1800K-3000K+4000K-6500K		DMX512	
KMDG-HYX-6C		1.5W6pcs		RGB			
KMDG-HYX-6D		1.5W6pcs		RGBW			



LED 特种照明系列

LED SPECIAL LIGHTING SERIES

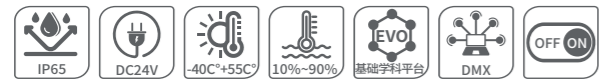
LED特种照明确实是指应用于特定场合和环境的照明设备和技术,这些技术往往要满足高亮度、高防护、高可靠性和长寿命等特殊要求。而特种照明作为其中的一种,其应用场景和要求都相对特殊。

LED special lighting indeed refers to lighting equipment and technologies applied to specific occasions and environments, which often meet special requirements such as high brightness, high protection, high reliability and long life. As one of them, special lighting has relatively special application scenarios and requirements.



LED 瓦楞灯 LED CORRUGATED LUMINAIRE

KMWL-YT 1.0
玉兔 1.0



技术参数/PARAMETERS

灯体材质: 高强度压铸铝灯体面罩	Housing material: High-strength die-cast aluminum
表面处理: 表面金属粉质感喷涂	Surface Finish: Electrostatically applied polyester powder coat
安 装: 可调角度 90°	Installation:]Luminaires Rotation: 90°
灯具禁止安装在低洼积水处	Luminaires are not allowed to be installed in low-lying water
线 材: ON/OFF: 150mm两芯0.75mm²防水接头线	Cable: ON/OFF: 150mm two-core 0.75mm² (Power cable)
DMX512: 150mm五芯2*1+3*0.3mm² 电源+信号防水接头线	DMX512: 150mm five-core 2*1+3*0.3mm² (Power and signal in a cable)

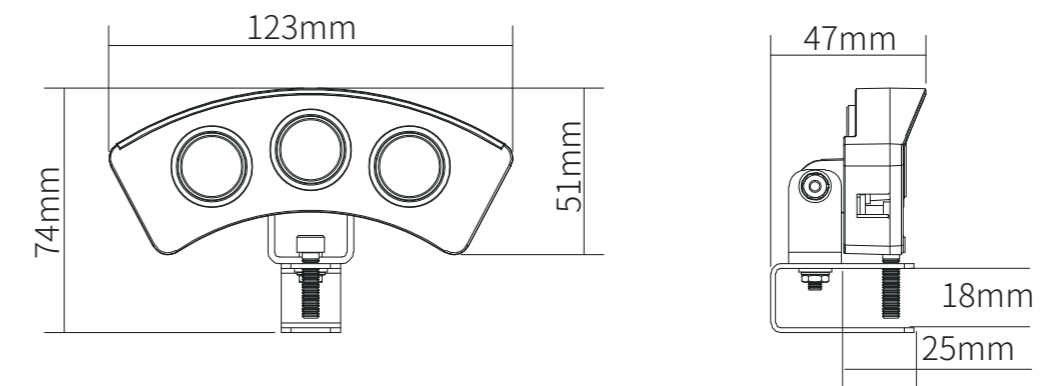
产品特性/FEATURES&BENEFITS

小巧精致, 易隐藏, 且多种安装方式, 完美融入安装场景	Small size and delicate, easy to hide, perfect into the installation scene
宽电压输入方案: 精密的方案设计, 高效输出, 响应节能战略	Wide Voltage Input: Precise electronic scheme, powerful reach and energy-saving.
支持多种数据传输协议DMX512	Support a variety of data transmission protocol: DMX512
多位处理技术: 支持亮度调节, 内置亮灯模式设置, 自动编码	Multi-bit processing technology: Support brightness adjustment, built-in lighting mode setting, automatic coding

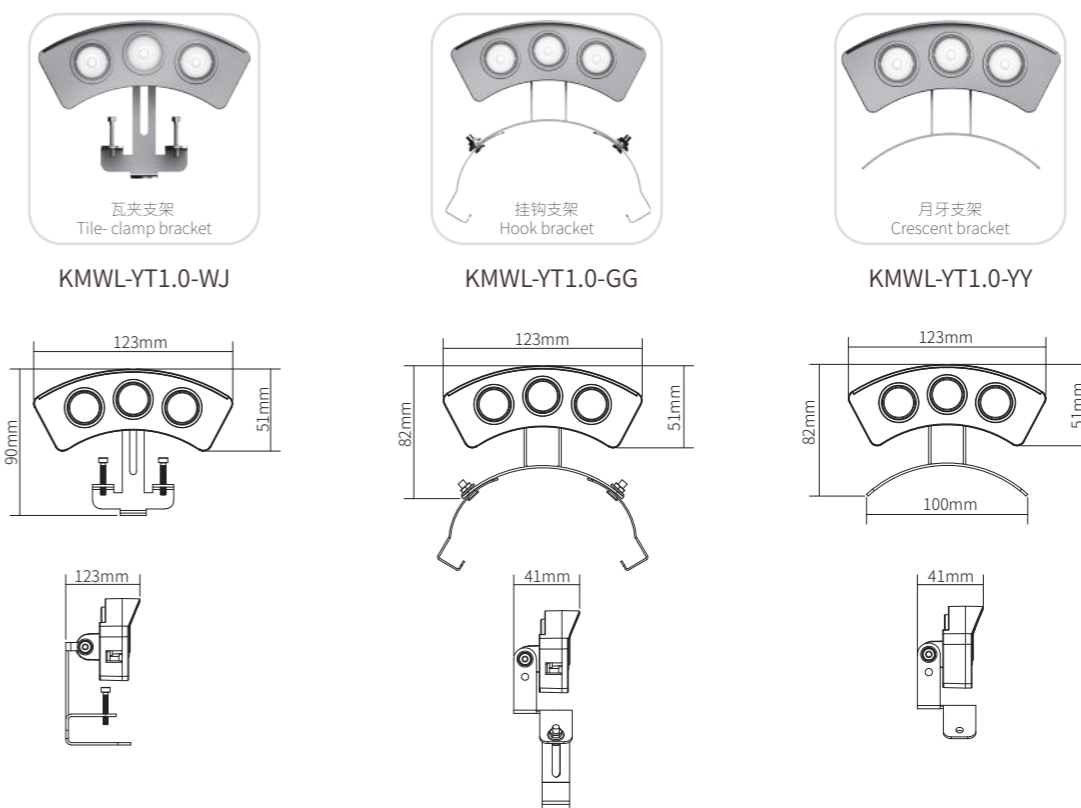
陕西·兴庆宫



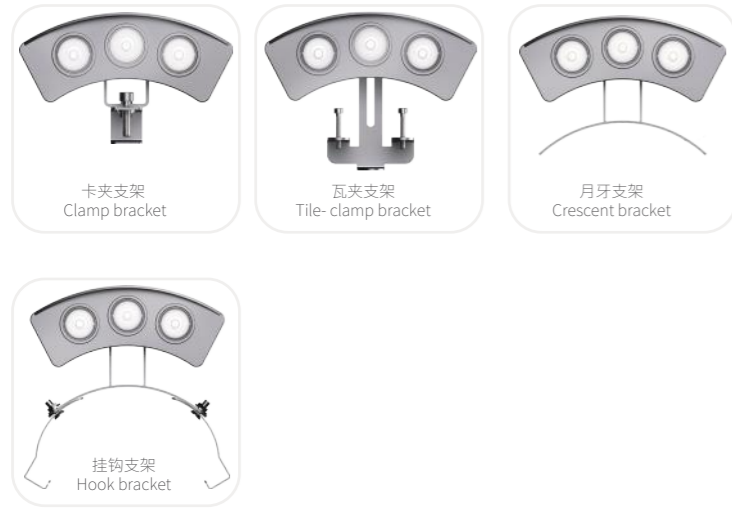
尺寸/DIMENSIONS



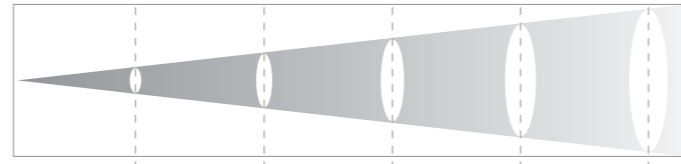
其他尺寸/OTHER DIMENSIONS



EVO 配件/EVO ACCESSORIES



光学数据/OPTICAL DATA



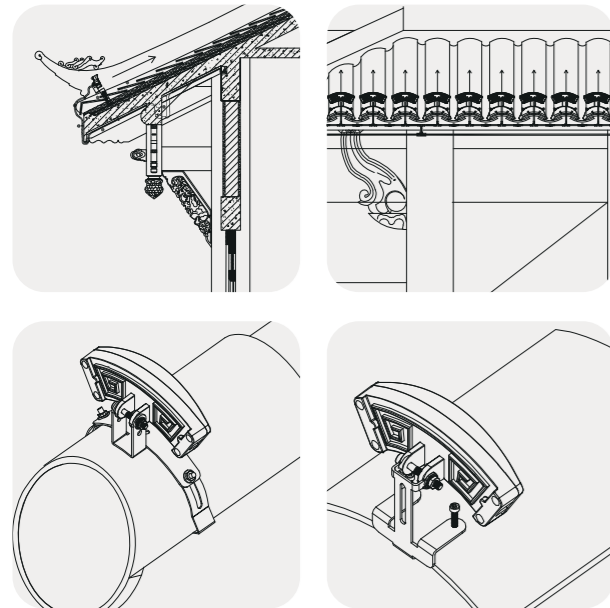
功率/Power 3W

距离 m	1	1.5	2	2.5	3
15° 照度 lux	1391.52	618.45	347.88	222.64	154.61
光斑直径 m	0.25	0.38	0.50	0.63	0.75
距离 m	1	1.5	2	2.5	3
25° 照度 lux	595.57	264.70	148.89	95.29	66.17
光斑直径 m	0.48	0.72	0.95	1.19	1.43
距离 m	1	1.5	2	2.5	3
30° 照度 lux	627.94	279.08	156.99	100.47	69.77
光斑直径 m	0.54	0.81	1.08	1.35	1.62

型号信息/MODEL INFORMATION

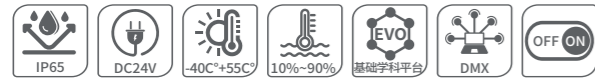
产品型号 Model	尺寸 Size	功率 Power(Pcs)	电压 Voltage	色温 Color Temperature	角度 Beam Angles	控制协议 Control	芯片品牌 Chips Brand
KMWL -YT1.0 -TJ -3A	123*51mm	3W/6W(3PCS)	DC24V	2700K -6500K	10°、25°、30°	ON/OFF	CREE OSRAM EPISTAR LUMILEDS SANAN
KMWL -YT1.0 -TJ -3A/B		6W (3PCS)		2200K -6500K 1800K -3000K+4000K -6500K			
KMWL -YT1.0 -TJ -3C		6W (3PCS)		RGB	15°、25°、40°、50°	DMX512	
KMWL -YT1.0 -TJ -3D		6W (3PCS)		RGBW			

安装示意图/INSTALLATION DIAGRAM



LED 瓦楞灯 LED CORRUGATED LUMINAIRE

KMW-YT2.0
玉兔 2.0



技术参数/PARAMETERS

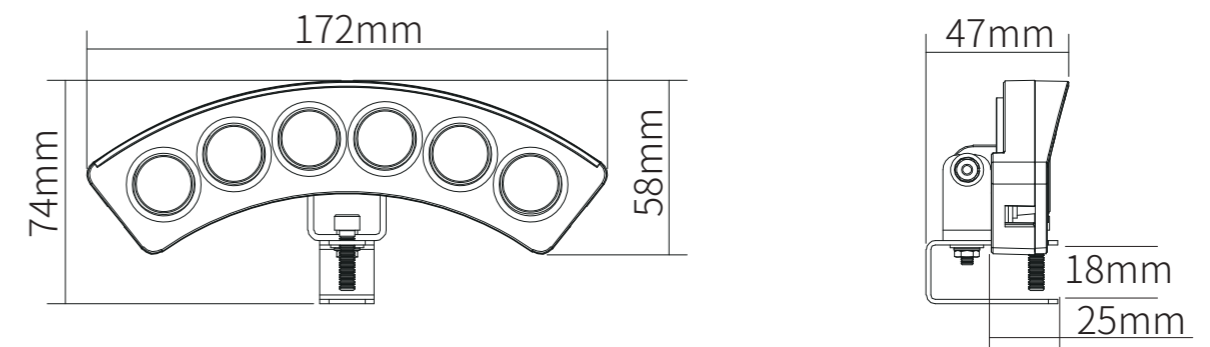
灯体材质: 高强度压铸铝灯体面罩	Housing material: High-strength die-cast aluminum
表面处理: 表面金属粉漆质感喷涂	Surface Finish: Electrostatically applied polyester powder coat
安装: 可调角度 90°	Installation: Luminaires Rotation: 90°
灯具禁止安装在低洼积水处	Luminaires are not allowed to be installed in low-lying water
线材: ON/OFF: 150mm两芯0.75mm ² 防水接头线	Cable: ON/OFF: 150mm two-core 0.75mm ² (Power cable)
DMX512: 150mm五芯2*1+3*0.3mm ² 电源+信号防水接头线	DMX512: 150mm five-core 2*1+3*0.3mm ² (Power and signal in a cable)

产品特性/FEATURES&BENEFITS

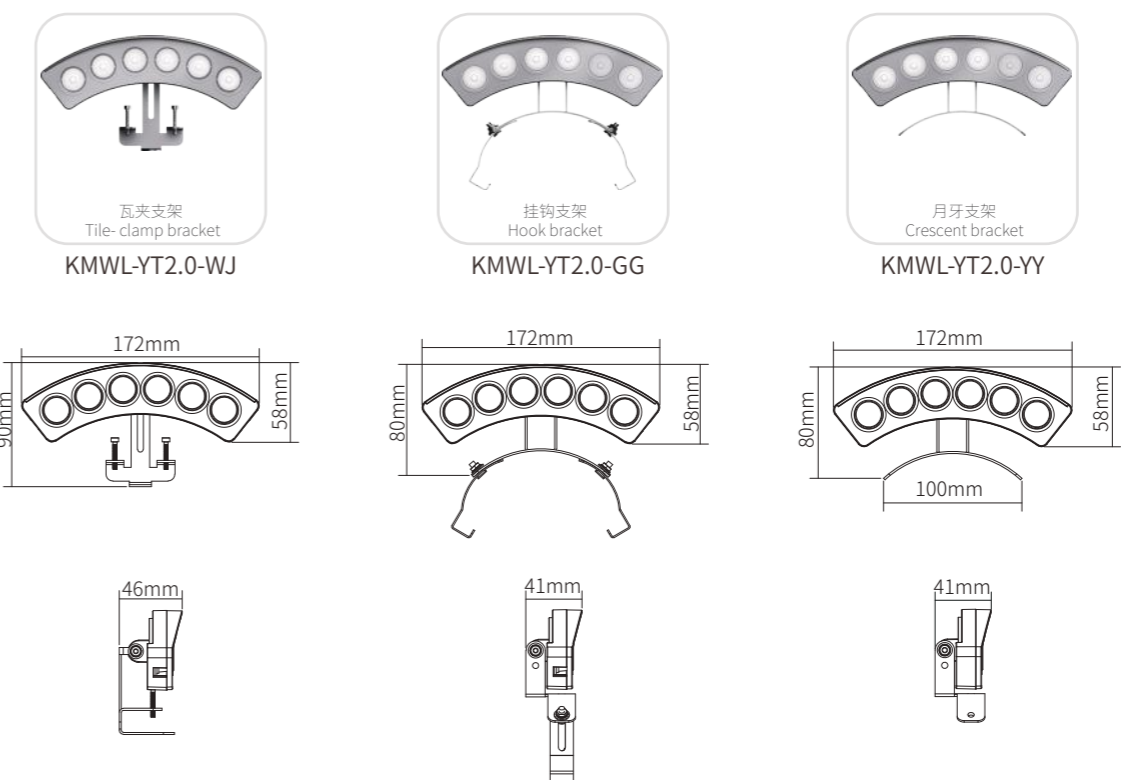
小巧精致, 易隐藏, 且多种安装方式, 完美融入安装场景,	Small size and delicate, easy to hide, perfect into the installation scene
宽电压输入方案: 精密的方案设计, 高效输出, 响应节能战略	Wide Voltage Input: Precise electronic scheme, powerful reach and energy-saving.
支持多种数据传输协议DMX512	Support a variety of data transmission protocol :DMX512
多位处理技术: 支持亮度调节, 内置亮灯模式设置, 自动编码	Multi-bit processing technology: Support brightness adjustment, built-in lighting mode setting, automatic coding



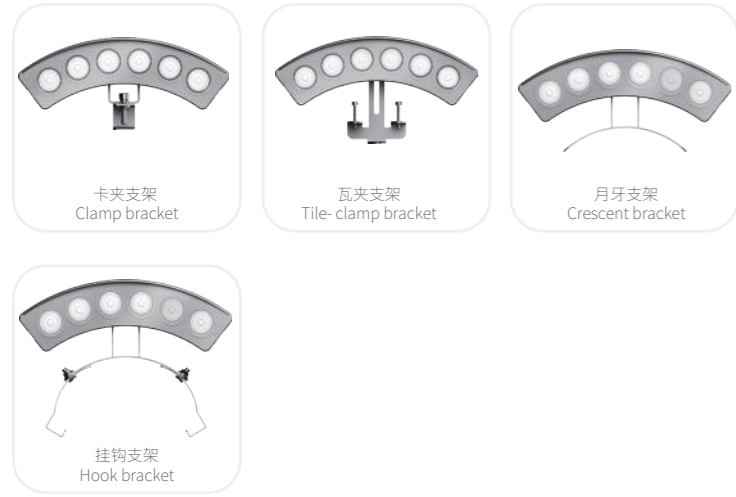
尺寸/DIMENSIONS



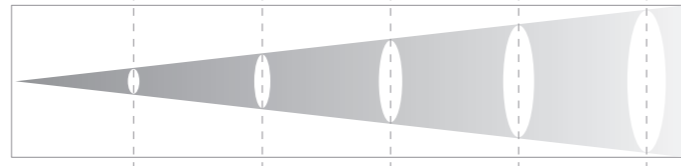
其他尺寸/OTHER DIMENSIONS



EVO 配件/EVO ACCESSORIES



光学数据/OPTICAL DATA



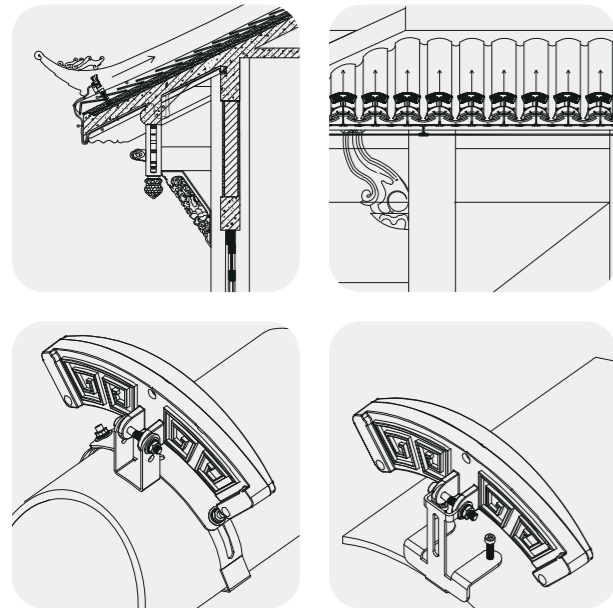
功率/Power 6W

距离 m	1	2	3	4	5
15° 照度 lux	3053.90	763.48	339.32	190.87	122.16
光圈直径 m	0.25	0.49	0.74	0.99	1.24
距离 m	1	2	3	4	5
25° 照度 lux	1138.90	284.73	126.54	71.18	45.56
光圈直径 m	0.49	0.97	1.46	1.94	2.43
距离 m	1	2	3	4	5
30° 照度 lux	1255.50	313.88	139.50	78.47	50.22
光圈直径 m	0.55	1.10	1.65	2.20	2.75

型号信息/MODEL INFORMATION

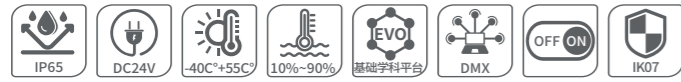
产品型号 Model	尺寸 Size	功率 Power(Pcs)	电压 Voltage	色温 Color Temperature	角度 Beam Angles	控制协议 Control	芯片品牌 Chips Brand
KMWL-YT2.0-TJ-6A	172*58mm	6W (6PCS)	DC24V	2700K -6500K	15°、25°、30°	ON/OFF	CREE OSRAM EPISTAR LUMILEDS SANAN

安装示意图/INSTALLATION DIAGRAM



LED 瓦楞灯 LED CORRUGATED LUMINAIRE

KMW-YT 3.0
玉兔 3.0



技术参数/PARAMETERS

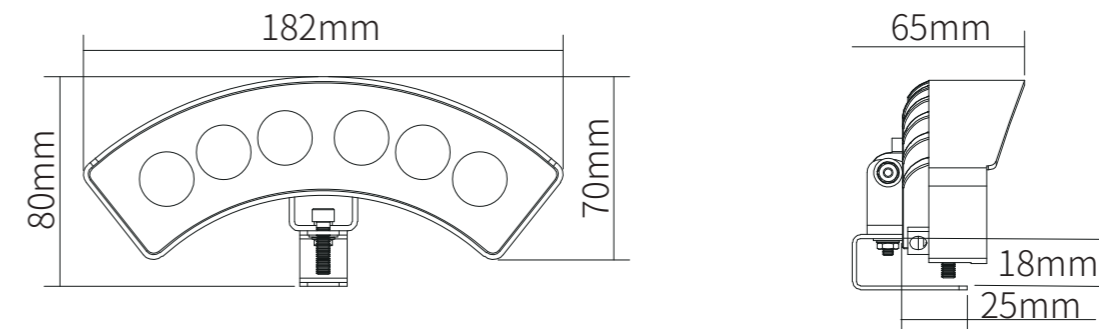
灯体材质: 高强度压铸铝灯体	Housing material: High-strength die-cast aluminum
超白钢化玻璃	Ultra-clear tempered glass
防水密封硅胶垫	Waterproof silicone gasket
表面处理: 表面金属粉质感喷涂	Surface Finish: Electrostatically applied polyester powder coat
安装: 可调角度 90°	Installation: Luminaires Rotation: 90°
灯具禁止安装在低洼积水处	Luminaires are not allowed to be installed in low-lying water
线材: ON/OFF: 150mm两芯0.75mm²防水接头线	Cable: ON/OFF: 150mm two-core 0.75mm² (Power cable)
DMX512: 150mm五芯2*1+3*0.3mm² 电源+信号防水接头线	DMX512: 150mm five-core 2*1+3*0.3mm² (Power and signal in a cable)

产品特性/FEATURES&BENEFITS

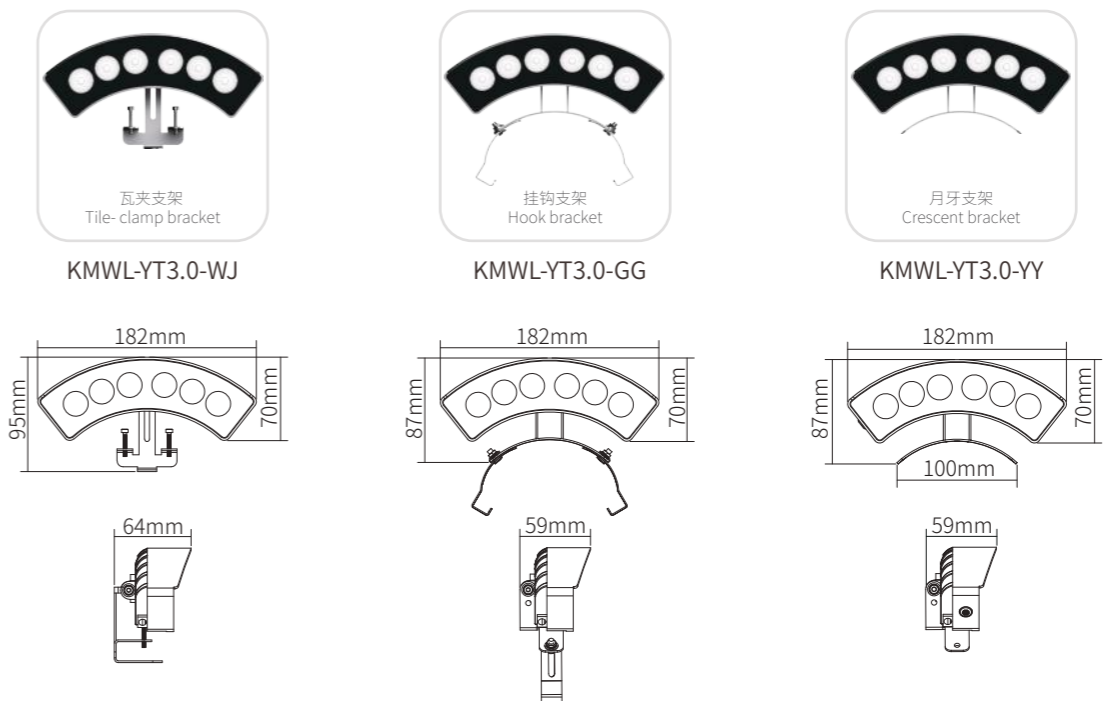
小巧精致, 易隐藏, 且多种安装方式, 完美融入安装场景,	Small size and delicate, easy to hide, perfect into the installation scene
宽电压输入方案: 精密的方案设计, 高效输出, 响应节能战略	Wide Voltage Input: Precise electronic scheme, powerful reach and energy-saving.
支持多种数据传输协议DMX512	Support a variety of data transmission protocol: DMX512
多位处理技术: 支持亮度调节, 内置亮灯模式设置, 自动编码	Multi-bit processing technology: Support brightness adjustment, built-in lighting mode setting, automatic coding
选配过压/过流监测保护, 温度监测管理, 白平衡管理, 色彩灰阶校正管理	Optional overvoltage/overcurrent monitoring protection, thermal management and color temperature management, color gray level correction management



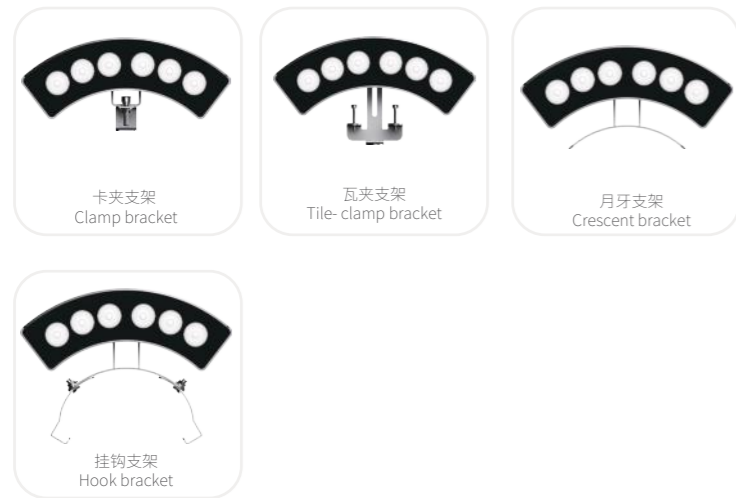
尺寸/DIMENSIONS



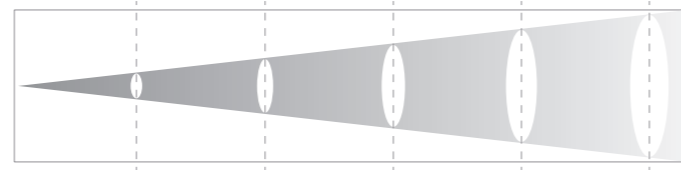
其他尺寸/OTHER DIMENSIONS



EVO 配件/EVO ACCESSORIES



光学数据/OPTICAL DATA



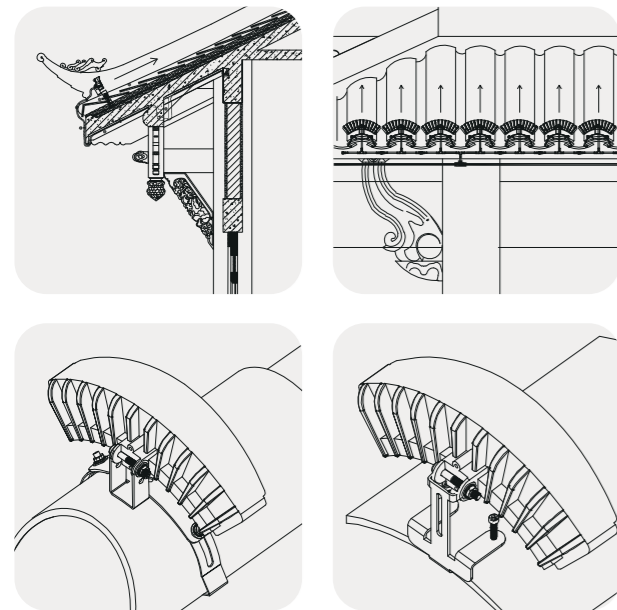
功率/Power 12W

距离 m	1	2	3	4	5
15° 照度 lux	3577.13	894.28	397.46	223.57	143.09
光圈直径 m	0.24	0.47	0.71	0.95	1.18
25° 照度 lux	1794.11	448.53	199.35	112.13	71.76
光圈直径 m	0.40	0.80	1.20	1.61	2.01
40° 照度 lux	661.12	165.28	73.46	41.32	26.44
光圈直径 m	0.82	1.65	2.47	3.30	4.12
60° 照度 lux	384.59	96.15	42.73	24.04	15.38
光圈直径 m	1.10	2.20	3.31	4.41	5.51

型号信息/MODEL INFORMATION

产品型号 Model	尺寸 Size	功率 Power(Pcs)	电压 Voltage	色温 Color Temperature	角度 Beam Angles	控制协议 Control	芯片品牌 Chips Brand
KMWL -YT3.0 -TJ-6A	182*70mm	12W (6PCS)	DC24V	2700K -6500K	10°、25°、45°、60°	ON/OFF	CREE OSRAM EPISTAR LUMILEDS SANAN
KMWL -YT3.0 -TJ-6A/B		12W (6PCS)	DC24V	2200K -6500K 1800K -3000K+4000K -6500K	10°、25°、45°、60°		
KMWL -YT3.0 -TJ-6C		12W (6PCS)	DC24V	RGB	15°、25°、45°、60°	DMX512★	
KMWL -YT3.0 -TJ-6D		15W (6PCS)	DC24V	RGBW	15°、25°、45°、60°		

安装示意图/INSTALLATION DIAGRAM



LED 照树灯 LED TREE LIGHT

KMZS-TJ 1.1

太极1.1



技术参数/PARAMETERS

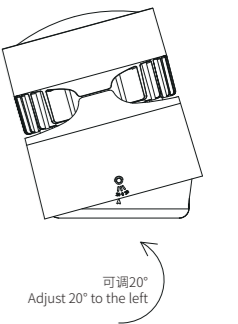
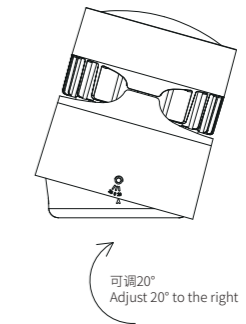
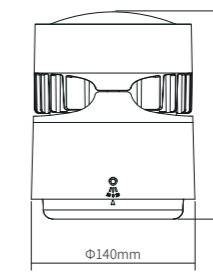
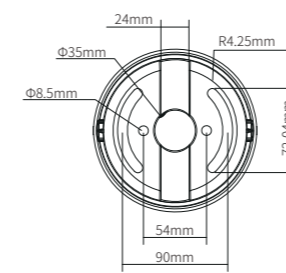
灯体材质: 高强度压铸铝灯体	Housing material: High-strength die-cast aluminum
凸面超白钢化玻璃	Convex ultra-clear tempered glass
双腔体散热结构	Double-chamber heat dissipation structure
防水密封硅胶垫	Waterproof silicone gasket
表面处理: 表面金属粉漆质感喷涂	Surface Finish: Electrostatically applied polyester powder coat
安 装: 可调角度 ±20°	Installation: Luminaires Rotation: ±20°
嵌入式半埋灯, 埋地深度必须保持在警戒线以下	The buried depth must be beneath the warning line
线 材: ON/OFF: 500mm两芯1mm² 电源止水线 ON/OFF AC220V: 500mm三芯1mm² 电源止水线 0-10V DALI: 500mm三芯1mm² 电源止水线+两芯1mm² 信号线 DMX512 : 五芯2*1+3*0.3mm²电源+信号防水接头线 DMX512 AC220V: 500mm三芯1mm² 电源止水线+四芯0.5mm² 信号防水接头线	Cable: ON/OFF: 500mm two-core 1mm² anti-siphon cable (Power cable) ON/OFF AC220V: 500mm three-core 1mm² anti-siphon cable (Power cable) 0-10V DALI: 500mm three-core 1mm² anti-siphon cable+two-core 1mm² signal cable DMX512: 500mm five-core 2*1+3*0.3mm² cable (Power and signal in a cable) DMX512 AC220V: 500mm 3*1mm² anti-siphon cable+4*0.5mm² signal cable

产品特性/FEATURES&BENEFITS

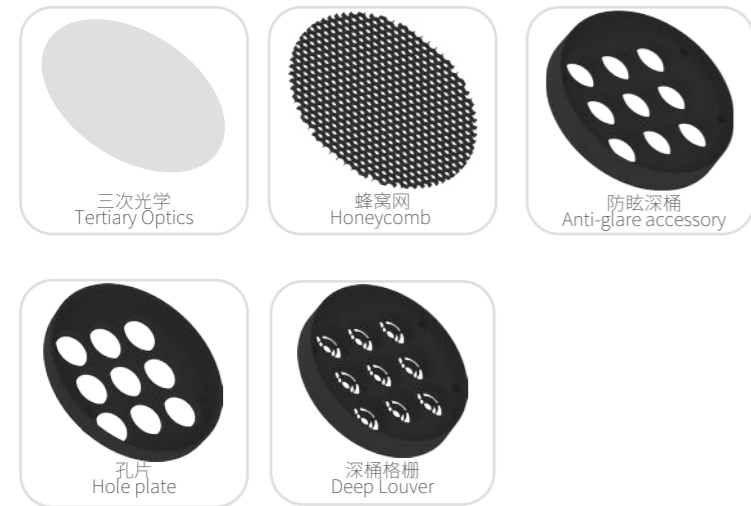
独特的凸面玻璃设计, 真正实现灯体自清洁效果	Unique convex glass design for self-cleaning
外观时尚精致, 半埋式安装, 完美融入安装场景	Stylish design, half-buried installation, perfect into the installation scene
宽电压输入方案: 精密的方案设计, 高效输出, 响应节能战略	Wide Voltage Input: Precise electronic scheme, powerful reach and energy-saving.
2.支持多种数据传输协议DMX512, DMX512-RDM, DALI	Support a variety of data transmission protocols: DMX512, DMX512-RDM, DALI
多位处理技术: 支持多通道模式, 频闪, CCT色温调节, 总调光, RGBW/A/L模式, CMY模式, 调光模式等多功能选项	Multibit Processing technique: Support multi-channel mode, stroboscopic, CCT color temperature adjustment, RGBW/A/L mode, CMY mode and other multi-functional options
选配过压/过流监测保护, 温度监测管理, 白平衡管理, 多色单通道高光管理, CCT/DUV/高亮/高显色温管理, 色彩灰阶校正管理	Optional overvoltage/overcurrent monitoring protection, temperature monitoring management, white balance management, multi-color single pass high light efficiency management, CCT/DUV/ high brightness/high color temperature management, color gray level correction management



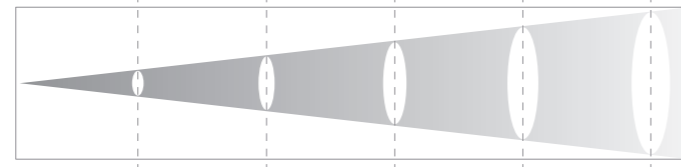
尺寸/DIMENSIONS



EVO 配件/EVO ACCESSORIES



光学数据/OPTICAL DATA



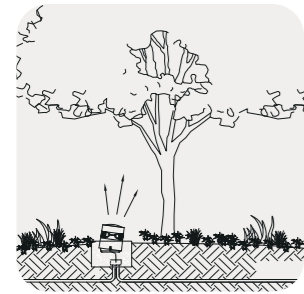
功率/Power 24W

距离 m	1	4	6	8	10
8° 照度 lux	38674.12	2417.13	1074.28	604.28	386.74
光圈直径 m	0.17	0.70	1.05	1.40	1.75
距离 m	1	4	6	8	10
10° 照度 lux	21316.67	1332.29	592.13	333.07	213.17
光圈直径 m	0.21	0.83	1.25	1.66	2.08
距离 m	1	2	3	4	5
13° 照度 lux	14628.68	3657.17	1625.41	914.29	585.15
光圈直径 m	0.22	0.43	0.65	0.86	1.08
距离 m	1	2	3	4	5
20° 照度 lux	6717.50	1679.38	746.39	419.84	268.70
光圈直径 m	0.41	0.83	1.24	1.65	2.06
距离 m	1	2	3	4	5
40° 照度 lux	2294.11	573.53	254.90	143.38	91.76
光圈直径 m	0.80	1.60	2.41	3.21	4.01
距离 m	1	2	3	4	5
45° 照度 lux	2294.86	573.72	254.98	143.43	91.79
光圈直径 m	0.87	1.73	2.60	3.46	4.33

功率/Power 16W

距离 m	1	4	6	8	10
5° 照度 lux	103630.57	6476.91	2878.63	1619.23	1036.31
光圈直径 m	0.08	0.32	0.49	0.65	0.81
距离 m	1	4	6	8	10
8° 照度 lux	47776.74	2986.05	1327.13	746.51	477.77
光圈直径 m	0.11	0.44	0.66	0.88	1.10
距离 m	1	2	3	4	5
15° 照度 lux	10443.91	2610.98	1160.43	652.74	417.76
光圈直径 m	0.27	0.54	0.82	1.09	1.36
距离 m	1	2	3	4	5
25° 照度 lux	4976.62	1244.16	552.96	311.04	199.06
光圈直径 m	0.38	0.76	1.14	1.52	1.91

安装示意图/INSTALLATION DIAGRAM



型号信息/MODEL INFORMATION

产品型号 Model	尺寸 Size	功率 Power(Pcs)	电压 Voltage	色温 Color Temperature	角度 Beam Angles	控制协议 Control	芯片品牌 Chips Brand
KMZS-TJ1.1-UX-9A/B	φ 140*178mm	24W(9pcs)	DC24V DC48V AC220V	2200K-6500K 1800K-3000K+4000K-6500K	8°、10°、13°、20°、 40°、45°	ON/OFF DMX512★★★ 0-10V DALI	CREE OSRAM EPISTAR LUMILEDS SANAN
KMZS-TJ1.1-UX-2A/B		16W(2pcs)			5°、8°、15°、25°		
KMZS-TJ1.1-UX-9C/D		24W(9pcs)		RGB RGBW	8°、15°、25°、40°、 50°		
KMZS-TJ1.1-UX-2C/D		16W(2pcs)					
KMZS-TJ1.1-UX-9D		36W(9pcs)		RGBW			

LED 照树灯 LED TREE LIGHT

KMZS-TJ 2.1

太极2.1



技术参数/PARAMETERS

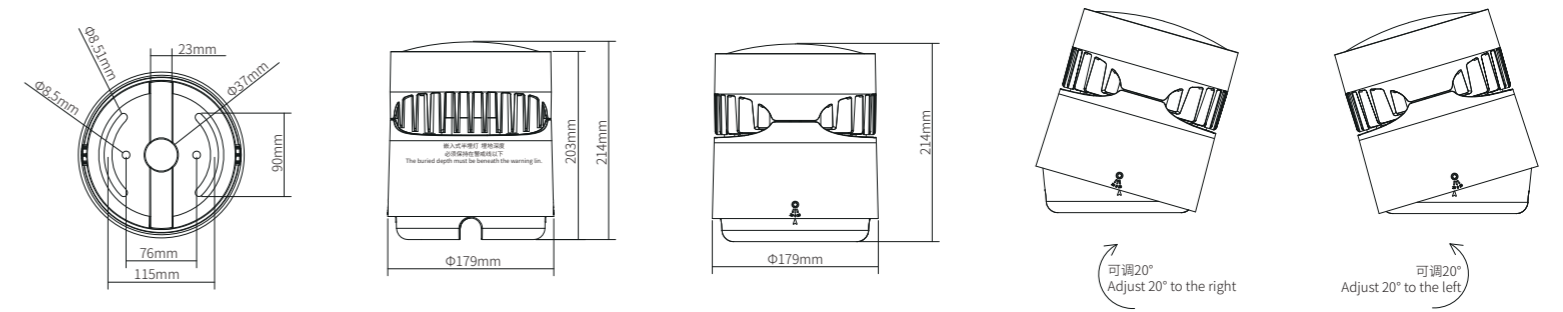
灯体材质: 高强度压铸铝灯体	Housing material: High-strength die-cast aluminum
凸面超白钢化玻璃	Convex ultra-clear tempered glass
双腔体散热结构	Double-chamber heat dissipation structure
防水密封硅胶垫	Waterproof silicone gasket
表面处理: 表面金属粉漆质感喷涂	Surface Finish: Electrostatically applied polyester powder coat
安 装: 可调角度 ±20°	Installation: Luminaires Rotation: ±20°
嵌入式半埋灯, 埋地深度必须保持在警戒线以下	The buried depth must be beneath the warning line
线 材: ON/OFF: 500mm两芯1mm² 电源止水线 ON/OFF AC220V: 500mm三芯1mm² 电源止水线 0-10V DALI: 500mm三芯1mm² 电源止水线+两芯1mm² 信号线 DMX512 : 五芯2*1+3*0.3mm² 电源+信号防水接头线 DMX512 AC220V: 500mm三芯1mm² 电源止水线+四芯0.5mm² 信号防水接头线	Cable: ON/OFF: 500mm two-core 1mm² anti-siphon cable (Power cable) ON/OFF AC220V: 500mm three-core 1mm² anti-siphon cable (Power cable) 0-10V DALI: 500mm three-core 1mm² anti-siphon cable+two-core 1mm² signal cable DMX512 : 500mm five-core 2*1+3*0.3mm² cable (Power and signal in a cable) DMX512 AC220V: 500mm 3*1mm² anti-siphon cable+4*0.5mm² signal cable

产品特性/FEATURES&BENEFITS

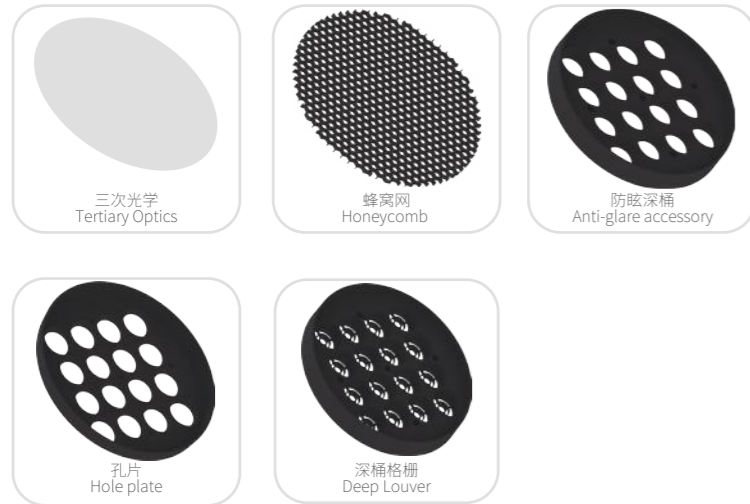
独特的凸面玻璃设计, 真正实现灯体自清洁效果	Unique convex glass design for self-cleaning
外观时尚精致, 半埋式安装, 完美融入安装场景	Stylish design, half-buried installation, perfect into the installation scene
宽电压输入方案: 精密的方案设计, 高效输出, 响应节能战略	Wide Voltage Input: Precise electronic scheme, powerful reach and energy-saving.
2.支持多种数据传输协议DMX512, DMX512-RDM, DALI	Support a variety of data transmission protocols: DMX512, DMX512-RDM, DALI
多位处理技术: 支持多通道模式, 频闪, CCT色温调节, 总调光, RGBW/A/L模式, CMY模式, 调光模式等多功能选项	Multibit Processing technique: Support multi-channel mode, stroboscopic, CCT color temperature adjustment, RGBW/A/L mode, CMY mode and other multi-functional options
选配过压/过流监测保护, 温度监测管理, 白平衡管理, 多色单通道高光管理, CCT/DUV/高亮/高显色温管理, 色彩灰阶校正管理	Optional overvoltage/overcurrent monitoring protection, temperature monitoring management, white balance management, multi-color single pass high light efficiency management, CCT/DUV/ high brightness/high color temperature management, color gray level correction management



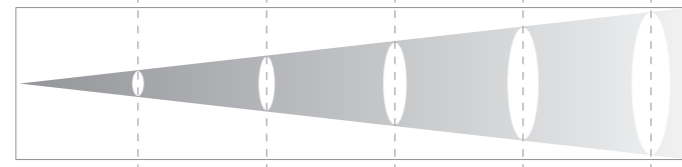
尺寸/DIMENSIONS



EVO 配件/EVO ACCESSORIES



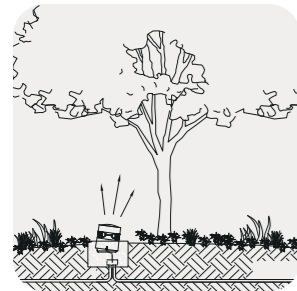
光学数据/OPTICAL DATA



功率/Power 48W

距离 m	1	4	6	8	10
8° 照度 lux	77206.98	4825.44	2144.64	1206.36	772.07
光圈直径 m	0.17	0.69	1.03	1.38	1.72
距离 m	1	4	6	8	10
10° 照度 lux	42378.61	2648.66	1177.18	662.17	423.79
光圈直径 m	0.21	0.84	1.26	1.68	2.10
距离 m	1	2	3	4	5
13° 照度 lux	27326.49	6831.62	3036.28	1707.91	1093.06
光圈直径 m	0.22	0.44	0.65	0.87	1.09
距离 m	1	2	3	4	5
20° 照度 lux	13673.74	3418.44	1519.30	854.61	546.95
光圈直径 m	0.41	0.83	1.24	1.65	2.07
距离 m	1	2	3	4	5
40° 照度 lux	4689.58	1172.40	521.06	293.10	187.58
光圈直径 m	0.79	1.57	2.36	3.14	3.93
距离 m	1	2	3	4	5
45° 照度 lux	4680.42	1170.11	520.05	292.53	187.22
光圈直径 m	0.87	1.74	2.61	3.48	4.35

安装示意图/INSTALLATION DIAGRAM



功率/Power 32W

距离 m	1	4	6	8	10
5° 照度 lux	203026.06	12689.13	5639.61	3172.28	2030.26
光圈直径 m	0.08	0.33	0.49	0.66	0.82
距离 m	1	4	6	8	10
8° 照度 lux	90499.30	5656.21	2513.87	1414.05	904.99
光圈直径 m	0.11	0.45	0.67	0.89	1.12
距离 m	1	2	3	4	5
15° 照度 lux	21407.88	5351.97	2378.65	1337.99	856.32
光圈直径 m	0.26	0.52	0.78	1.04	1.30
距离 m	1	2	3	4	5
25° 照度 lux	9405.61	2351.40	1045.07	587.85	376.22
光圈直径 m	0.39	0.79	1.18	1.58	1.97

型号信息/MODEL INFORMATION

产品型号 Model	尺寸 Size	功率 Power(Pcs)	电压 Voltage	色温 Color Temperature	角度 Beam Angles	控制协议 Control	芯片品牌 Chips Brand
KMZS-TJ2.1-UX-16A/B	φ 179*214mm	48W(16pcs)	DC24V DC48V AC220V	2200K -6500K 1800K -3000K+4000K -6500K	8°、10°、13°、 20°、40°、45°	ON/OFF DMX512★★★★	CREE OSRAM EPistar LUMILEDS SANAN
KMZS-TJ2.1-UX-4A/B		32W(4pcs)			5°、8°、15°、25°	0-10V DALI	
KMZS-TJ2.1-UX-16C/D		48W(16pcs)		RGB RGBW	8°、15°、25°、 40°、50°	DMX512★★★★	
KMZS-TJ2.1-UX-4C/D		40W(4pcs)					
KMZS-TJ2.1-UX-16D		72W(16pcs)		RGBW			

LED 照树灯 LED TREE LIGHT

KMZS-TJ 3.1

太极3.1

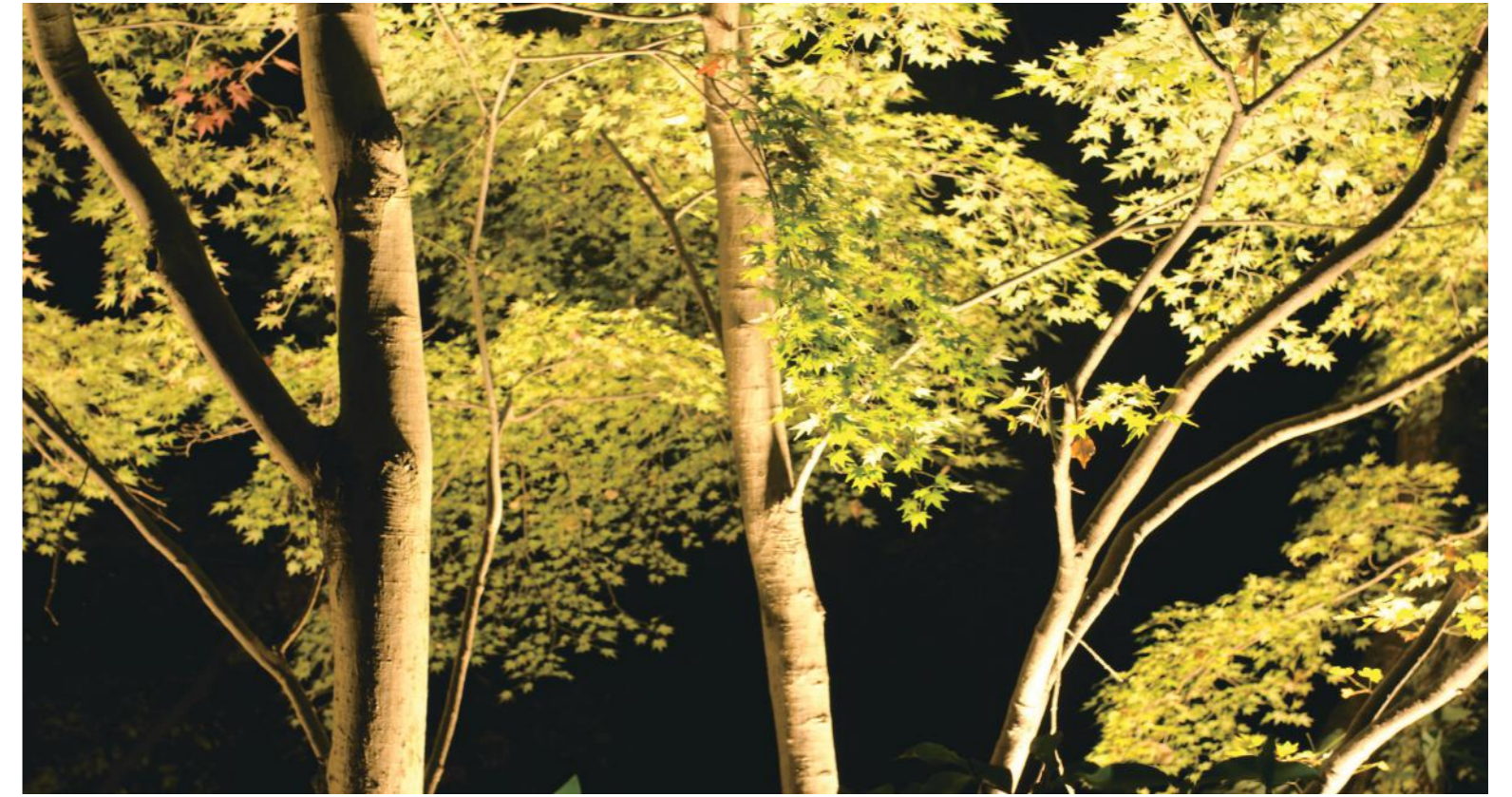


技术参数/PARAMETERS

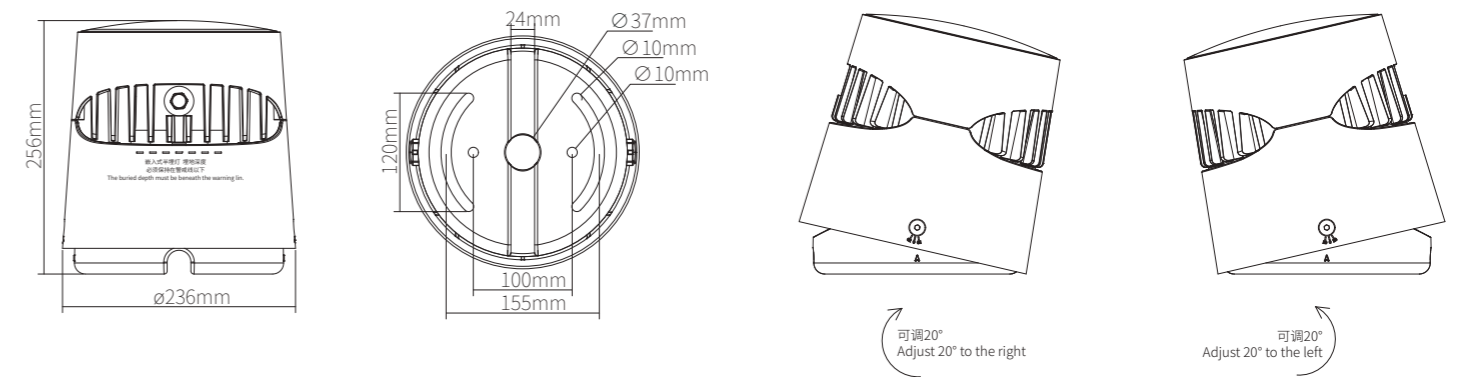
灯体材质: 高强度压铸铝灯体	Housing material: High-strength die-cast aluminum
凸面超白钢化玻璃	Convex ultra-clear tempered glass
双腔体散热结构	Double-chamber heat dissipation structure
防水密封硅胶垫	Waterproof silicone gasket
表面处理: 表面金属粉漆质感喷涂	Surface Finish: Electrostatically applied polyester powder coat
安 装: 可调角度 ±20°	Installation: Luminaires Rotation: ±20°
嵌入式半埋灯, 埋地深度必须保持在警戒线以下	The buried depth must be beneath the warning line
线 材: ON/OFF: 500mm两芯1mm² 电源止水线 ON/OFF AC220V: 500mm三芯1mm² 电源止水线 0-10V DALI: 500mm三芯1mm² 电源止水线+两芯1mm² 信号线 DMX512 : 五芯2*1+3*0.3mm² 电源+信号防水接头线 DMX512 AC220V: 500mm三芯1mm² 电源止水线+四芯0.5mm² 信号防水接头线	Cable: ON/OFF : 500mm two-core 1mm² anti-siphon cable (Power cable) ON/OFF AC220V: 500mm three-core 1mm² anti-siphon cable (Power cable) 0-10V DALI: 500mm three-core 1mm² anti-siphon cable+two-core 1mm² signal cable DMX512 : 500mm five-core 2*1+3*0.3mm² cable (Power and signal in a cable) DMX512 AC220V: 500mm 3*1mm² anti-siphon cable+4*0.5mm² signal cable

产品特性/FEATURES&BENEFITS

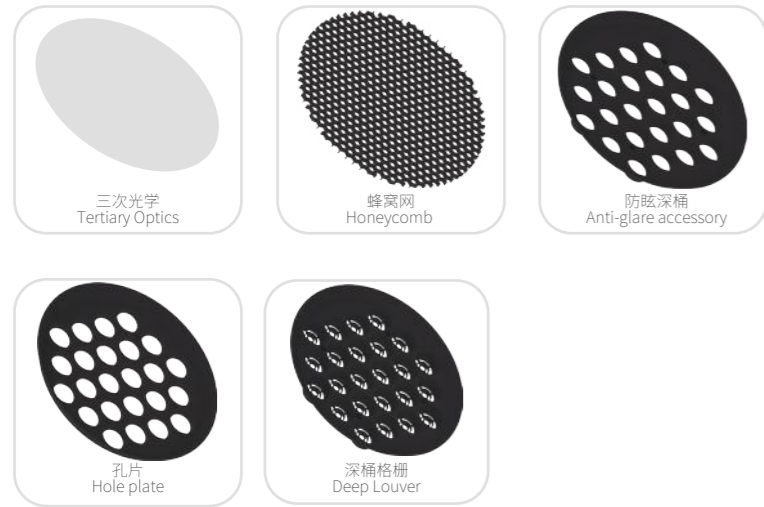
独特的凸面玻璃设计, 真正实现灯体自清洁效果	Unique convex glass design for self-cleaning
外观时尚精致, 半埋式安装, 完美融入安装场景	Stylish design, half-buried installation, perfect into the installation scene
宽电压输入方案: 精密的方案设计, 高效输出, 响应节能战略	Wide Voltage Input: Precise electronic scheme, powerful reach and energy-saving.
2.支持多种数据传输协议DMX512, DMX512-RDM, DALI	Support a variety of data transmission protocols: DMX512, DMX512-RDM, DALI
多位处理技术: 支持多通道模式, 频闪, CCT色温调节, 总调光, RGBW/A/L模式, CMY模式, 调光模式等多功能选项	Multibit Processing technique: Support multi-channel mode, stroboscopic, CCT color temperature adjustment, RGBW/A/L mode, CMY mode and other multi-functional options
选配过压/过流监测保护, 温度监测管理, 白平衡管理, 多色单通道高光管理, CCT/DUV/高亮/高显色温管理, 色彩灰阶校正管理	Optional overvoltage/overcurrent monitoring protection, temperature monitoring management, white balance management, multi-color single pass high light efficiency management, CCT/DUV/ high brightness/high color temperature management, color gray level correction management



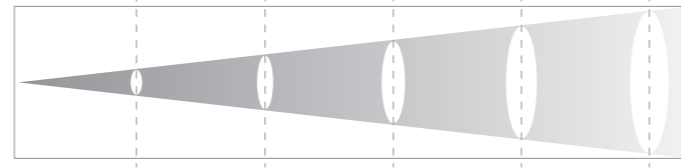
尺寸/DIMENSIONS



EVO 配件/EVO ACCESSORIES



光学数据/OPTICAL DATA



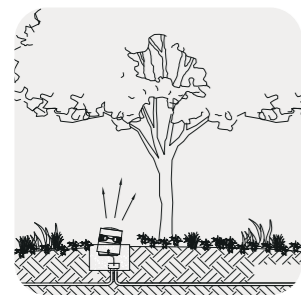
功率/Power 72W

距离 m	1	5	10	15	20
8° 最大照度 lux	100369.07	4014.76	1003.69	446.08	250.92
光圈直径 m	0.17	0.86	1.72	2.58	3.44
距离 m	1	4	6	8	10
10° 最大照度 lux	55092.19	3443.26	1530.34	860.82	550.92
光圈直径 m	0.21	0.84	1.26	1.68	2.10
距离 m	1	4	6	8	10
13° 最大照度 lux	35524.44	2220.28	986.79	555.07	355.24
光圈直径 m	0.22	0.87	1.31	1.74	2.18
距离 m	1	2	3	4	5
20° 最大照度 lux	17775.86	4443.97	1975.10	1110.99	711.03
光圈直径 m	0.41	0.83	1.24	1.65	2.07
距离 m	1	2	3	4	5
40° 最大照度 lux	6096.45	1524.11	677.38	381.03	243.86
光圈直径 m	0.79	1.57	2.36	3.14	3.93
距离 m	1	2	3	4	5
45° 最大照度 lux	6084.55	1521.14	676.06	380.28	243.38
光圈直径 m	0.87	1.74	2.61	3.48	4.35

功率/Power 70W

距离 m	1	5	10	15	20
5° 最大照度 lux	263933.88	10557.36	2639.34	1173.04	659.83
光圈直径 m	0.08	0.41	0.82	1.23	1.64
距离 m	1	5	10	15	20
8° 最大照度 lux	117649.09	4705.96	1176.49	522.88	294.12
光圈直径 m	0.11	0.56	1.12	1.68	2.24
距离 m	1	4	6	8	10
15° 最大照度 lux	27830.24	1739.39	773.06	434.85	278.30
光圈直径 m	0.26	1.04	1.57	2.09	2.61
距离 m	1	2	3	4	5
25° 最大照度 lux	12227.29	3056.82	1358.59	764.21	489.09
光圈直径 m	0.39	0.79	1.18	1.58	1.97

安装示意图/INSTALLATION DIAGRAM



型号信息/MODEL INFORMATION

产品型号 Model	尺寸 Size	功率 Power(Pcs)	电压 Voltage	色温 Color Temperature	角度 Beam Angles	控制协议 Control	芯片品牌 Chips Brand
KMZS -TJ3.1 -UX -24A/B	φ 236mm	72W(24pcs)	DC24V DC48V AC220V	2200K -6500K 1800K -3000K+4000K -6500K	8°、10°、13°、20°、40°、45°	ON/OFF DMX512★★★ 0-10V DALI	CREE OSRAM EPISTAR LUMILEDS SANAN
KMZS -TJ3.1 -UX -7A/B	φ 236mm	70W(7pcs)			5°、8°、15°、25°		
KMZS -TJ3.1 -UX -24C/D	φ 236mm	72W(24pcs)		RGB RGBW	8°、15°、25°、40°、50°	DMX512★★★	
KMZS -TJ3.1 -UX -7C/D	φ 236mm	70W(7pcs)			8°、15°、25°		
KMZS -TJ3.1 -UX -24D	φ 236mm	144W(24pcs)		RGBW	8°、15°、25°、40°、50°		

LED 照树灯 LED TREE LIGHT

KMZS-TJ 4.1
太极4.1



技术参数/PARAMETERS

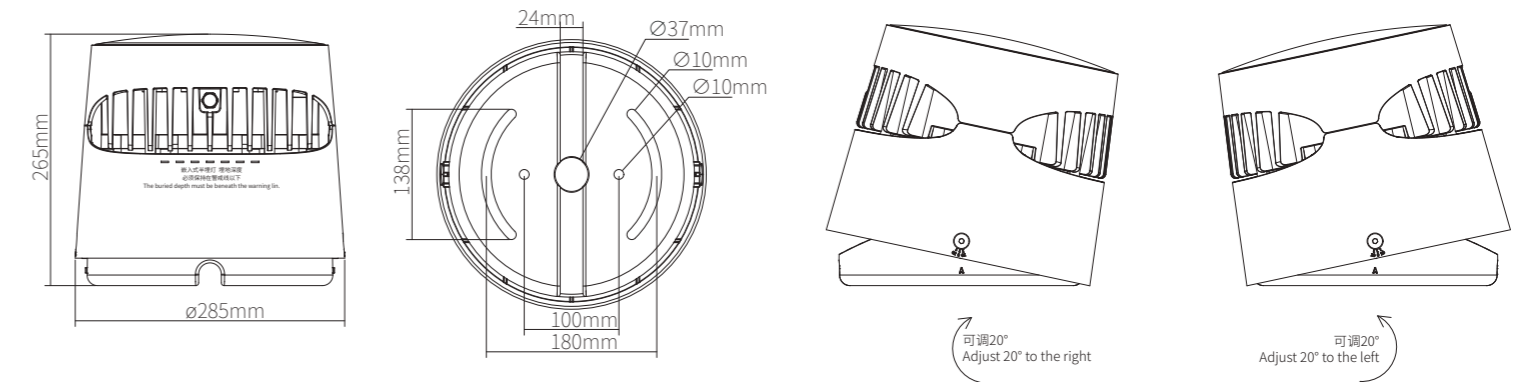
灯体材质: 高强度压铸铝灯体	Housing material: High-strength die-cast aluminum
凸面超钢化玻璃	Convex ultra-clear tempered glass
双腔体散热结构	Double-chamber heat dissipation structure
防水密封硅胶垫	Waterproof silicone gasket
表面处理: 表面金属粉漆质感喷涂	Surface Finish: Electrostatically applied polyester powder coat
安 装: 可调角度 ±20°	Installation: Luminaires Rotation: ±20°
嵌入式半埋灯, 埋地深度必须保持在警戒线以下	The buried depth must be beneath the warning line
线 材: ON/OFF: 500mm两芯1mm² 电源止水线 ON/OFF AC220V: 500mm三芯1mm² 电源止水线 0-10V DALI: 500mm三芯1mm² 电源止水线+两芯1mm² 信号线 DMX512: 五芯2*1+3*0.3mm² 电源+信号防水接头线 DMX512 AC220V: 500mm三芯1mm² 电源止水线+四芯0.5mm² 信号防水接头线	Cable: ON/OFF: 500mm two-core 1mm² anti-siphon cable (Power cable) ON/OFF AC220V: 500mm three-core 1mm² anti-siphon cable (Power cable) 0-10V DALI: 500mm three-core 1mm² anti-siphon cable+two-core 1mm² signal cable DMX512: 500mm five-core 2*1+3*0.3mm² cable (Power and signal in a cable) DMX512 AC220V: 500mm 3*1mm² anti-siphon cable+4*0.5mm² signal cable

产品特性/FEATURES&BENEFITS

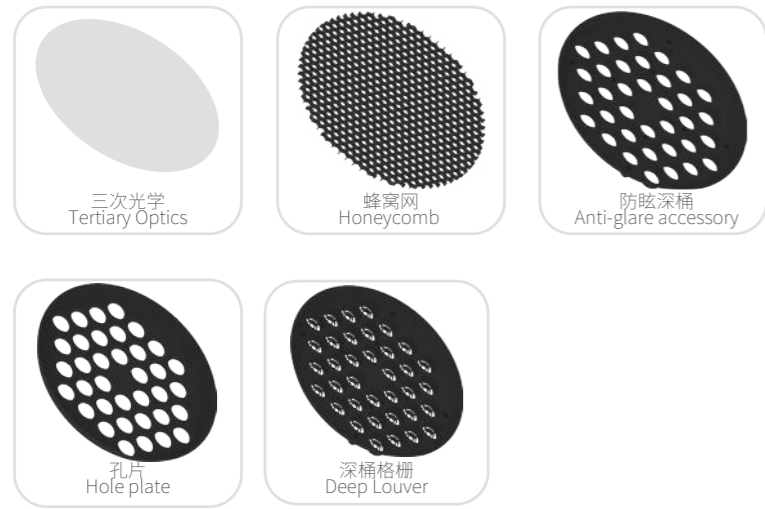
独特的凸面玻璃设计, 真正实现灯体自清洁效果	Unique convex glass design for self-cleaning
外观时尚精致, 半埋式安装, 完美融入安装场景	Stylish design, half-buried installation, perfect into the installation scene
宽电压输入方案: 精密的方案设计, 高效输出, 响应节能战略	Wide Voltage Input: Precise electronic scheme, powerful reach and energy-saving.
2.支持多种数据传输协议DMX512, DMX512-RDM, DALI	Support a variety of data transmission protocols: DMX512, DMX512-RDM, DALI
多位处理技术: 支持多通道模式, 频闪, CCT色温调节, 总调光, RGBW/A/L模式, CMY模式, 调光模式等多功能选项	Multibit Processing technique: Support multi-channel mode, stroboscopic, CCT color temperature adjustment, RGBW/A/L mode, CMY mode and other multi-functional options
选配过压/过流监测保护, 温度监测管理, 白平衡管理, 多色单通道高光管理, CCT/DUV/高亮/高显色温管理, 色彩灰阶校正管理	Optional overvoltage/overcurrent monitoring protection, temperature monitoring management, white balance management, multi-color single pass high light efficiency management, CCT/DUV/ high brightness/high color temperature management, color gray level correction management



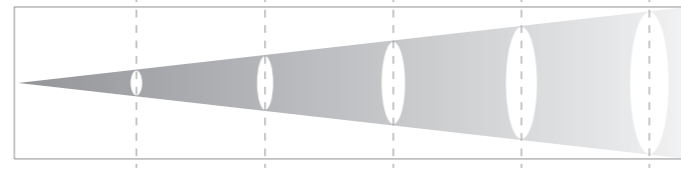
尺寸/DIMENSIONS



EVO 配件/EVO ACCESSORIES



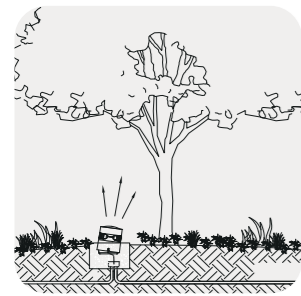
光学数据/OPTICAL DATA



功率/Power 120W

距离m	1	5	10	15	20
8° 最大照度lux	140516.70	5620.67	1405.17	624.52	351.29
光圈直径m	0.17	0.86	1.72	2.58	3.44
距离m	1	4	6	8	10
10° 最大照度lux	77129.07	4820.57	2142.47	1205.14	771.29
光圈直径m	0.21	0.84	1.26	1.68	2.10
距离m	1	4	6	8	10
13° 最大照度lux	49734.21	3108.39	1381.51	777.10	497.34
光圈直径m	0.22	0.87	1.31	1.74	2.18
距离m	1	4	6	8	10
20° 最大照度lux	24886.21	1555.39	691.28	388.85	248.86
光圈直径m	0.41	1.65	2.48	3.31	4.13
距离m	1	2	3	4	5
40° 最大照度lux	8535.04	2133.76	948.34	533.44	341.40
光圈直径m	0.79	1.57	2.36	3.14	3.93
距离m	1	2	3	4	5
45° 最大照度lux	8518.36	2129.59	946.48	532.40	340.73
光圈直径m	0.87	1.74	2.61	3.48	4.35

安装示意图/INSTALLATION DIAGRAM



功率/Power 120W

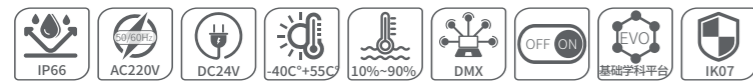
距离m	1	5	10	20	30
5° 最大照度lux	369507.43	14780.30	3695.07	923.77	410.56
光圈直径m	0.08	0.41	0.82	1.64	2.47
距离m	1	5	10	15	20
8° 最大照度lux	164708.73	6588.35	1647.09	732.04	411.77
光圈直径m	0.11	0.56	1.12	1.68	2.24
距离m	1	4	6	8	10
15° 最大照度lux	38962.34	2435.15	1082.29	608.79	389.62
光圈直径m	0.26	1.04	1.57	2.09	2.61
距离m	1	4	6	8	10
25° 最大照度lux	17118.21	1069.89	475.51	267.47	171.18
光圈直径m	0.39	1.58	2.37	3.16	3.95

型号信息/MODEL INFORMATION

产品型号 Model	尺寸 Size	功率 Power(Pcs)	电压 Voltage	色温 Color Temperature	角度 Beam Angles	控制协议 Control	芯片品牌 Chips Brand
KMZS-TJ4.1-UX-36A/B	φ 285mm	120W(36pcs)	AC220V	2200K-6500K 1800K-3000K+4000K-6500K	8°、10°、13°、20°、40°、45°	ON/OFF DMX512★★★	CREE OSRAM EPISTAR LUMILEDS SANAN
KMZS-TJ4.1-UX-12A/B	φ 285mm	120W(12pcs)			5°、8°、15°、25°	0-10V DALI	
KMZS-TJ4.1-UX-36C/D	φ 285mm	120W(36pcs)		RGB RGBW	8°、15°、25°、40°、50°	DMX512★★★	
KMZS-TJ4.1-UX-12C/D	φ 285mm	120W(12pcs)			8°、15°、25°		
KMZS-TJ4.1-UX-36D	φ 285mm	240W(36pcs)		RGBW	8°、15°、25°、40°、50°		

LED抱树灯 LED TREE-HUGGING LUMINAIRE

KMBZ-SYC1.0
四叶草 1.0



技术参数/PARAMETERS

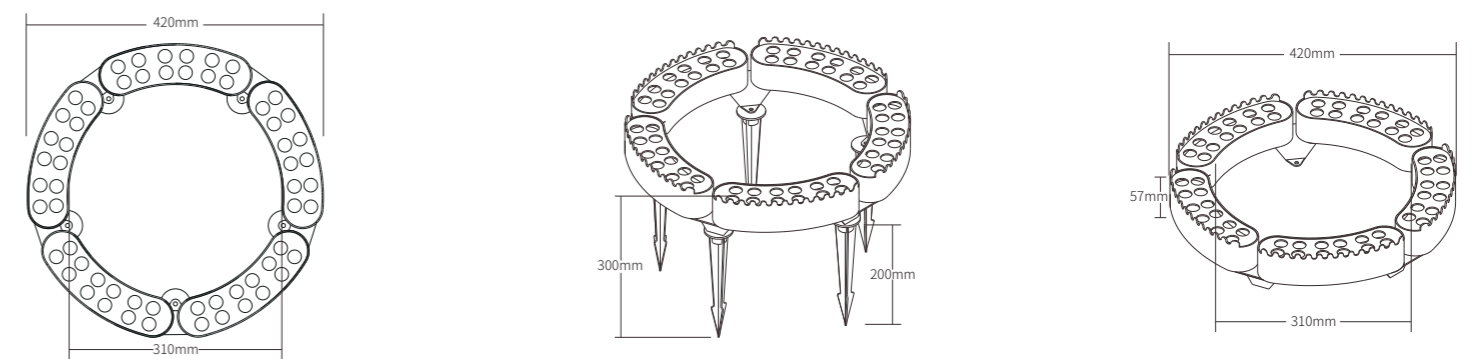
灯体材质: 高强度压铸铝灯体	Housing material: High-strength die-cast aluminum
超白钢化玻璃	Ultra-clear tempered glass
防水密封硅胶垫	Waterproof silicone gasket
表面处理: 表面金属粉质感喷涂	Surface Finish: Electrostatically applied polyester powder coat
安 装: 可调角度范围:垂直方向90°	Installation: Luminaires Rotation: 90°
灯具禁止安装在低洼积水处	Luminaires are not allowed to be installed in low-lying water
线 材: ON/OFF: 150mm两芯0.75mm²防水接头线	Cable: OON/OFF: 150mm two-core 0.75mm² (Power cable)
ON/OFF AC220V: 150mm三芯0.75mm²防水接头线	ON/OFF AC220V: 150mm three-core 0.75mm² (Power cable)
DMX512: 150mm五芯2*1+3*0.3mm² 电源+信号防水接头线	DMX512: 150mm five-core 2*1+3*0.3mm² cable (Power and signal in a cable)

产品特性/FEATURES&BENEFITS

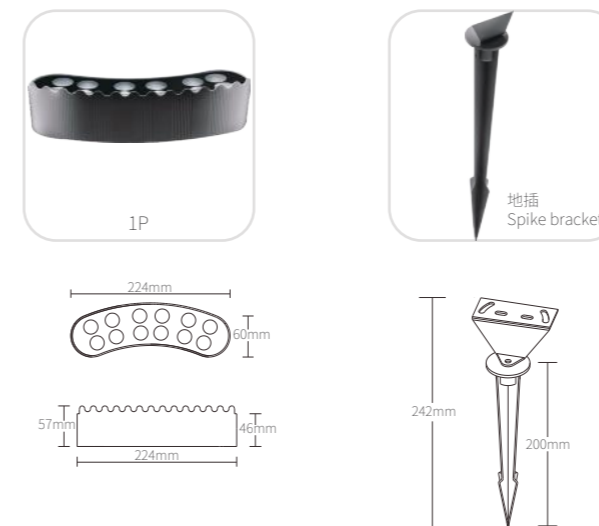
外观时尚精致, 环抱安装, 完美融入安装场景	Stylish design ,hugging installation,perfect into the installation scene
宽电压输入方案: 精密的方案设计, 高效输出, 响应节能战略	Wide Voltage Input: Precise electronic scheme, powerful reach and energy-saving.
支持多种数据传输协议DMX512	Support a variety of data transmission protocol :DMX512
多位处理技术: 支持亮度调节, 内置亮灯模式设置, 自动编码	Multi-bit processing technology: Support brightness adjustment, built-in lighting mode setting, automatic coding



尺寸/DIMENSIONS



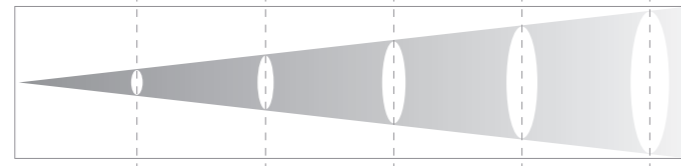
其他尺寸/OTHER DIMENSIONS



EVO 配件/EVO ACCESSORIES



光学数据/OPTICAL DATA



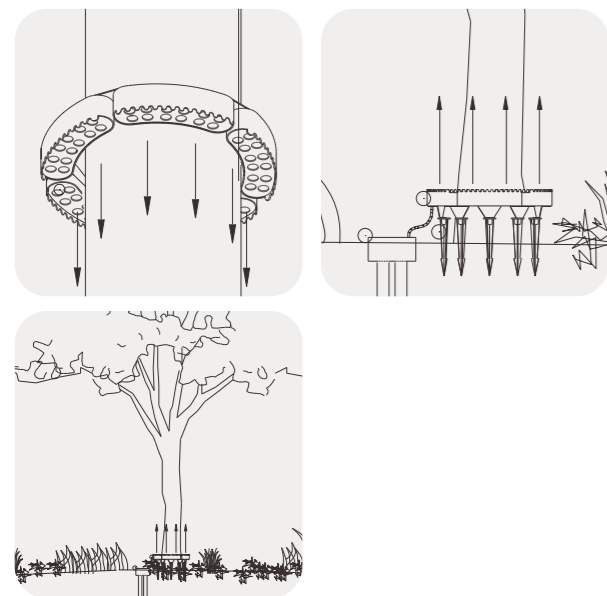
功率/Power 12W

距离 m	1	1.5	2	2.5	3
15 照度 lux	4649.53	2066.46	1162.38	743.92	516.61
光圈直径 m	0.25	0.37	0.49	0.62	0.74
距离 m	1	1.5	2	2.5	3
25 照度 lux	1741.40	773.96	435.35	278.62	193.49
光圈直径 m	0.49	0.73	0.97	1.22	1.46
距离 m	1	1.5	2	2.5	3
30 照度 lux	1905.81	847.03	476.45	304.93	211.76
光圈直径 m	0.55	0.83	1.10	1.38	1.65

型号信息/MODEL INFORMATION

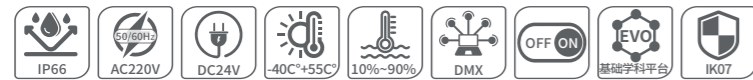
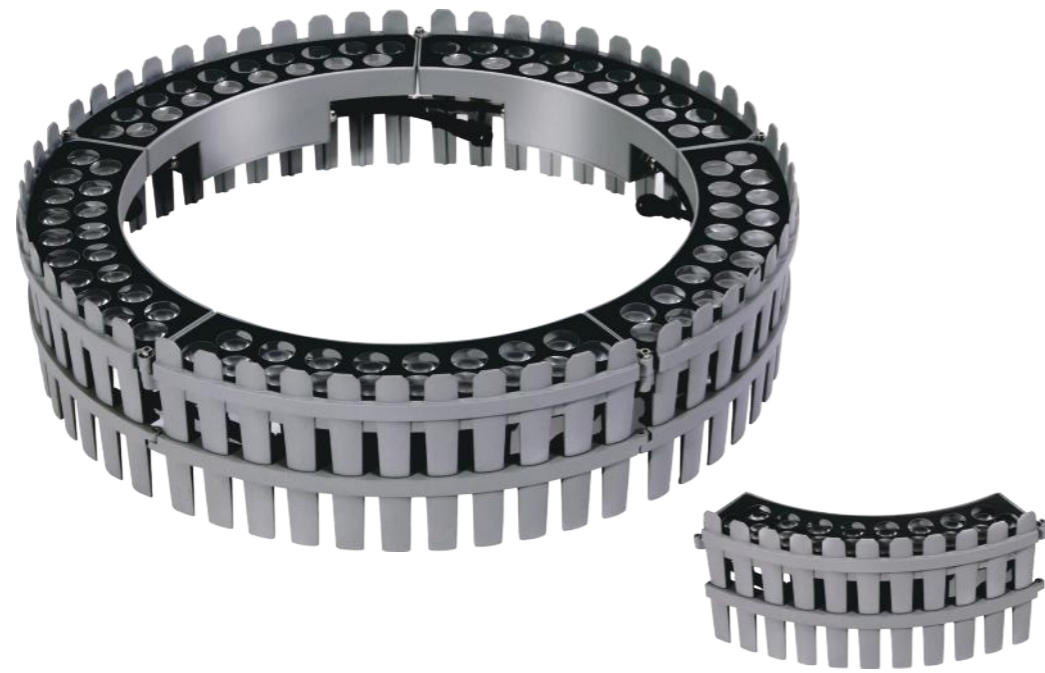
产品型号 Model	尺寸 Size	功率 Power(Pcs)	电压 Voltage	色温 Color Temperature	角度 Beam Angles	控制协议 Control	芯片品牌 Chips Brand
KMBZ-SYC1.0-DC-12A	224*60mm	12W (12PCS)	AC220V DC24V	2700K -6500K	10°、25°、30°	ON/OFF	CREE OSRAM EPISTAR LUMILEDS SANAN
KMBZ-SYC1.0-DC-12A/B		12W (12PCS)		2200K -6500K 1800K -3000K+4000K -6500K			
KMBZ-SYC1.0-DC-12C		18W (12PCS)	DC24V	RGB	15°、25°、45°、60°	DMX512	
KMBZ-SYC1.0-DC-12D		24W (12PCS)		RGBW			

安装示意图/INSTALLATION DIAGRAM



LED抱树灯 LED TREE-HUGGING LUMINAIRE

KMBZ-SYC2.0
四叶草 2.0



技术参数/PARAMETERS

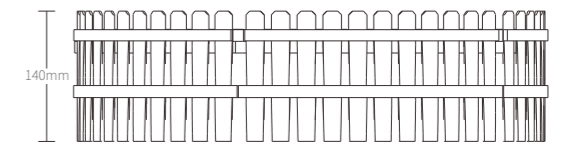
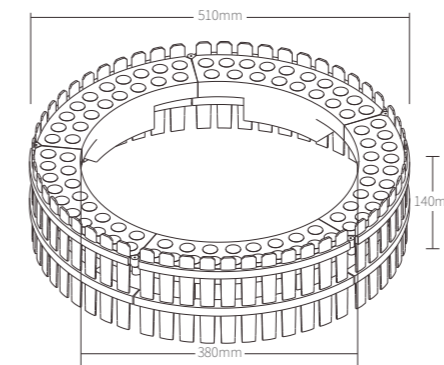
灯体材质: 高强度压铸铝灯体	Housing material: High-strength die-cast aluminum
超白钢化玻璃	Ultra-clear tempered glass
防水密封胶垫	Waterproof silicone gasket
表面处理: 表面金属粉漆质感喷涂	Surface Finish: Electrostatically applied polyester powder coat
安 装: 可调角度范围:不可调角度	Installation: Non-adjustable brackets
灯具禁止安装在低洼积水处	Luminaires are not allowed to be installed in low-lying water
线 材: ON/OFF: 150mm两芯0.75mm ² 防水接头线	Cable: OON/OFF: 150mm two-core 0.75mm ² (Power cable)
ON/OFF AC220V: 150mm三芯0.75mm ² 防水接头线	ON/OFF AC220V: 150mm three-core 0.75mm ² (Power cable)
DMX512: 150mm五芯2*1+3*0.3mm ² 电源+信号防水接头线	DMX512: 150mm five-core 2*1+3*0.3mm ² cable (Power and signal in a cable)

产品特性/FEATURES&BENEFITS

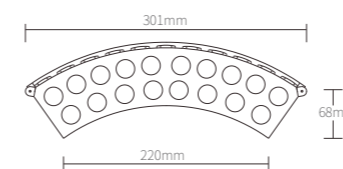
外观时尚精致, 环抱安装, 完美融入安装场景	Stylish design ,hugging installation,perfect into the installation scene
宽电压输入方案: 精密的方案设计, 高效输出, 响应节能战略	Wide Voltage Input: Precise electronic scheme, powerful reach and energy-saving.
支持多种数据传输协议DMX512	Support a variety of data transmission protocol :DMX512
多位处理技术: 支持亮度调节, 内置亮灯模式设置, 自动编码	Multi-bit processing technology: Support brightness adjustment, built-in lighting mode setting, automatic coding

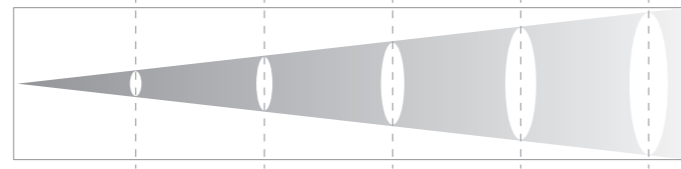


尺寸/DIMENSIONS



其他尺寸/OTHER DIMENSIONS

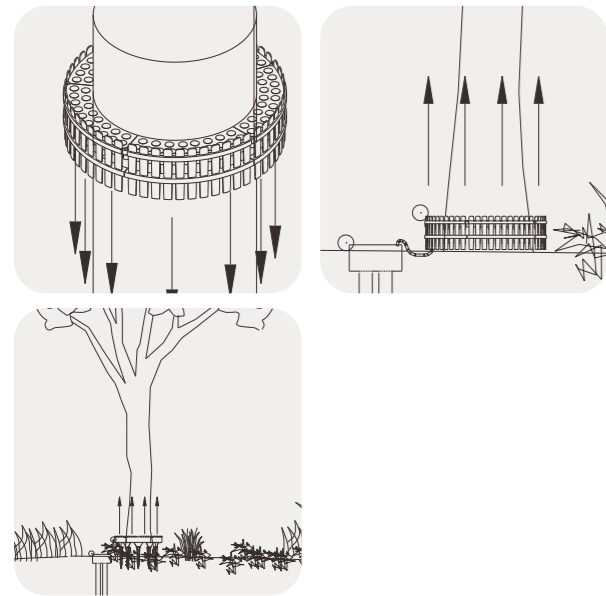




功率/Power 18W

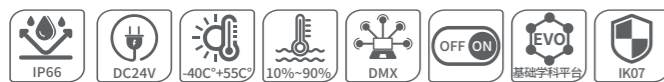
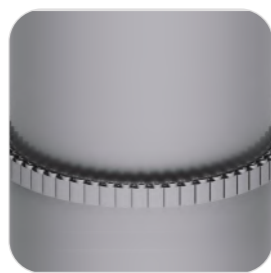
距离 m	1	1.5	2	2.5	3
15 照度 lux	6993.26	3108.12	1748.32	1118.92	777.03
光圈直径 m	0.25	0.37	0.49	0.62	0.74
25 照度 lux	2628.16	1168.07	657.04	420.51	292.02
光圈直径 m	0.49	0.73	0.97	1.22	1.46
30 照度 lux	2875.29	1277.91	718.82	460.05	319.48
光圈直径 m	0.55	0.83	1.10	1.38	1.65

产品型号 Model	尺寸 Size	功率 Power(Pcs)	电压 Voltage	色温 Color Temperature	角度 Beam Angles	控制协议 Control	芯片品牌 Chips Brand
KMBZ-SYC2.0-DC-18A	301*68mm	18W (18PCS)	AC220V DC24V	2700K -6500K	10°、25°、30°	ON/OFF	CREE OSRAM EPISTAR LUMILEDS SANAN
KMBZ-SYC2.0-DC-18A/B		18W (18PCS)	DC24V	2200K -6500K 1800K -3000K+4000K -6500K			
KMBZ-SYC2.0-DC-18C		24W (12PCS)	DC24V	RGB	15°、25°、45°、60°	DMX512	
KMBZ-SYC2.0-DC-18D		36W (12PCS)	DC24V	RGBW			



LED 链式抱柱灯 LED CHAIN PILLAR-HUGGING LAMP

KMBZ-XL 1.0
星链 1.0



技术参数/PARAMETERS

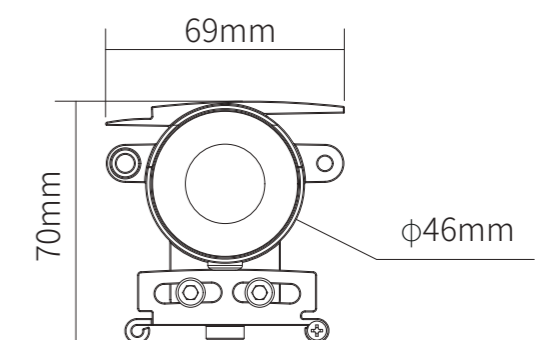
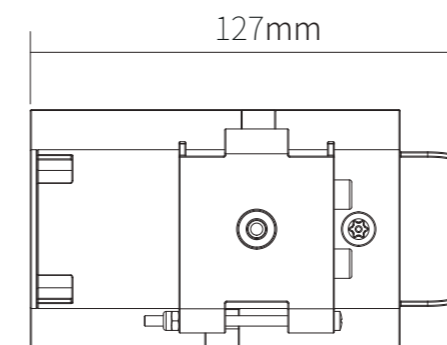
灯体材质: 高强度压铸铝灯体	Housing material: High-strength die-cast aluminum
超白钢化玻璃	Ultra-clear tempered glass
防水密封硅胶垫	Waterproof silicone gasket
表面处理: 表面金属粉漆质感喷涂	Surface Finish: Electrostatically applied polyester powder coat
安 装: 可调角度范围:不可调角度	Installation: Non-adjustable brackets
灯具禁止安装在低洼积水处	Luminaires are not allowed to be installed in low-lying water
线 材: ON/OFF: 150mm两芯0.75mm²防水接头线	Cable: ON/OFF: 150mm two-core 0.75mm² (Power cable)
DMX512: 150mm五芯2*1+3*0.3mm² 电源+信号防水接头线	DMX512: 150mm five-core 2*1+3*0.3mm² cable (Power and signal in a cable)

产品特性/FEATURES&BENEFITS

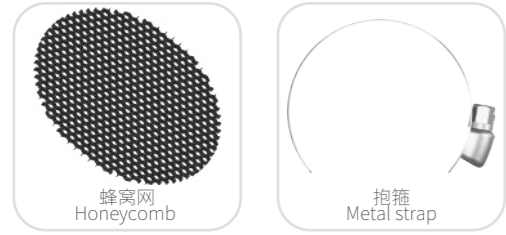
外观时尚精致小巧, 自带遮光帽, 环抱安装, 完美融入安装场景	Stylish design with a visor, hugging installation, perfect into the installation scene
宽电压输入方案: 精密的方案设计, 高效输出, 响应节能战略	Wide Voltage Input: Precise electronic scheme, powerful reach and energy-saving.
支持多种数据传输协议DMX512	Support a variety of data transmission protocol: DMX512
多位处理技术: 支持亮度调节, 内置亮灯模式设置, 自动编码	Multi-bit processing technology: Support brightness adjustment, built-in lighting mode setting, automatic coding



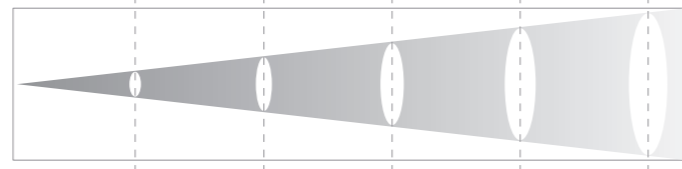
尺寸/DIMENSIONS



EVO 配件/EVO ACCESSORIES



光学数据/OPTICAL DATA



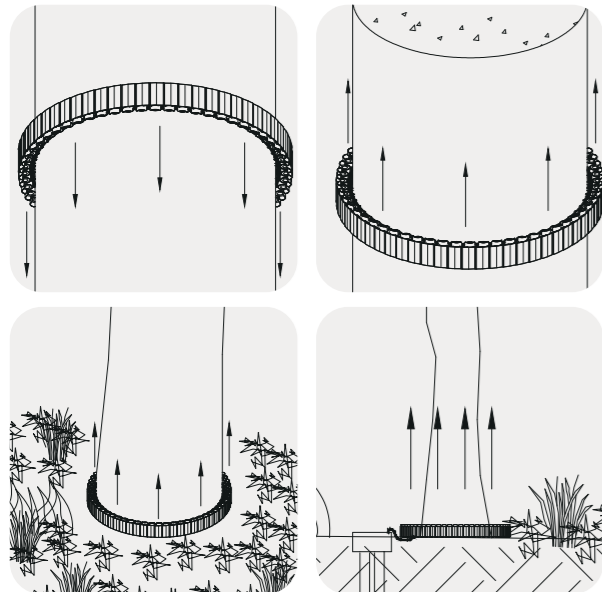
功率/Power 3W

距离 m	1	1.5	2	2.5	3	
8°	照度 lux	4875.34	2166.82	1218.84	780.05	541.70
	光斑直径 m	0.14	0.21	0.28	0.35	0.42
10°	照度 lux	1998.11	888.05	499.53	319.70	222.01
	光斑直径 m	0.20	0.30	0.41	0.51	0.61
13°	照度 lux	1640.22	728.99	410.06	262.44	182.25
	光斑直径 m	0.20	0.31	0.41	0.51	0.61
20°	照度 lux	745.53	331.35	186.38	119.28	82.84
	光斑直径 m	0.38	0.57	0.75	0.94	1.13
40°	照度 lux	290.66	129.18	72.67	46.51	32.30
	光斑直径 m	0.67	1.01	1.34	1.68	2.01
45°	照度 lux	262.39	116.62	65.60	41.98	29.15
	光斑直径 m	0.80	1.20	1.61	2.01	2.41

型号信息/MODEL INFORMATION

产品型号 Model	尺寸 Size	功率 Power(Pcs)	电压 Voltage	色温 Color Temperature	角度 Beam Angles	控制协议 Control	芯片品牌 Chips Brand
KMBZ-XL1.0-TJ-1A	φ46*127mm	3W (1PCS)	DC24V	2700K-6500K	8°、10°、13°、15°、 20°、25°、40°、45°	ON/OFF	CREE OSRAM EPISTAR LUMILEDS SANAN
KMBZ-XL1.0-TJ-1A/B		3W (1PCS)		2200K-6500K 1800K-3000K+4000K-6500K			
KMBZ-XL1.0-TJ-1C		3W (1PCS)		RGB	15°、25°、45°、60°	DMX512	
KMBZ-XL1.0-TJ-1D		4W (1PCS)		RGBW			

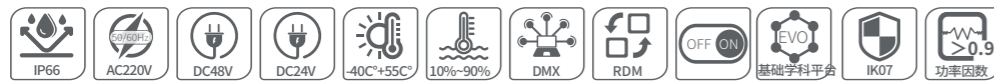
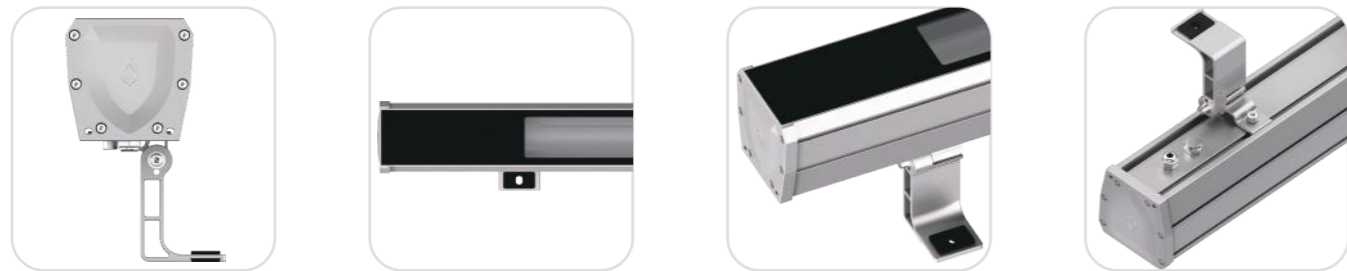
安装示意图/INSTALLATION DIAGRAM



LED 水纹灯 LED WATER WAVE LAMP

KMSW-YT1.1

倚天 1.1



技术参数/PARAMETERS

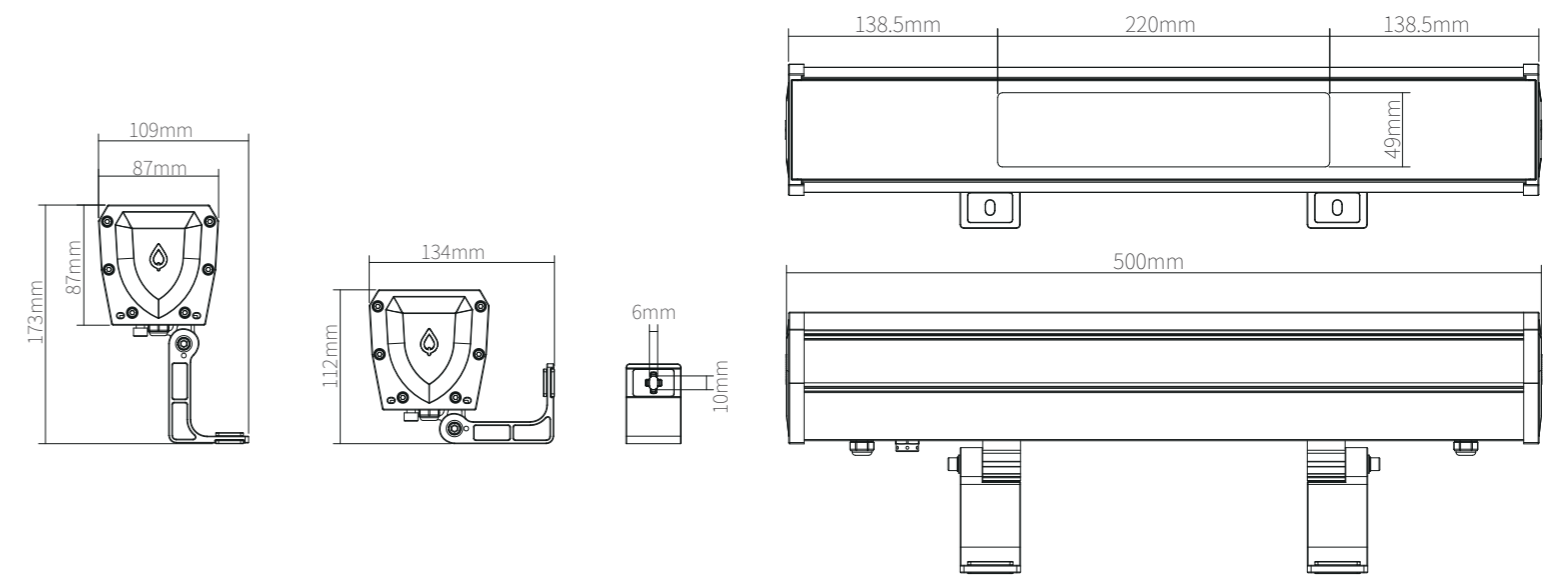
灯体材质: 高强度压铸铝灯体 超白钢化玻璃 压铸铝堵头 防水密封胶垫	Housing material: High-strength die-cast aluminum Ultra-clear tempered glass Die-cast aluminum end-cap Waterproof silicone gasket
表面处理: 表面金属粉漆质感喷涂	Surface Finish: Electrostatically applied polyester powder coat
安 装: 可调角度范围:不可调角度 灯具禁止安装在低洼积水处	Installation: Non-adjustable brackets Luminaires are not allowed to be installed in low-lying water
线 材: ON/OFF: 150mm两芯0.75mm²防水接头线 ON/OFF AC220V: 150mm三芯0.75mm²防水接头线 DMX512: 150mm五芯2*1+3*0.3mm² 电源+信号防水接头线 DMX512 AC220V: 500mm三芯1mm² 防水接头线 +500mm 四芯0.5mm² 信号防水接头线	Cable: ON/OFF: 150mm two-core 0.75mm² anti-siphon cable (Power cable) ON/OFF AC220V: 150mm three-core 1mm² anti-siphon cable (Power cable) DMX512: 500mm five-core 2*1+3*0.3mm² cable (Power and signal in a cable) DMX512 AC220V: 500mm 3*1mm²+4*0.5mm² signal cable

产品特性/FEATURES&BENEFITS

独特的外观时尚设计, 完美融入安装场景	Stylish design ,perfect into the installation scene
加大的散热结构设计, 充分保证LED的稳定性和长寿命	Huge-space heat dissipation structure ensure LED stability and long-life service
宽电压输入方案: 精密的方案设计, 高效输出, 响应节能战略	Wide Voltage Input: Precise electronic scheme, powerful reach and energy-saving.
支持多种数据传输协议DMX512,DMX512-RDM	Support a variety of data transmission protocols :DMX512,DMX512-RDM
多位处理技术: 支持多通道模式, 频闪, CCT色温调节, 总调光, RGBW/A/L模式, CMY模式, 调光模式等多功能选项	Multibit Processing technique: Support multi-channel mode, stroboscopic, CCT color temperature adjustment, RGBW/A/L mode, CMY mode and other multi-functional options
选配过压/过流监测保护, 温度监测管理, 白平衡管理, 多色单通道高光效管理, CCT/DUV/高亮/高显色温管理, 色彩灰阶校正管理	Optional overvoltage/overcurrent monitoring protection, temperature monitoring management, white balance management, multi-color single pass high light efficiency management, CCT/DUV/ high brightness/high color temperature management, color gray level correction management



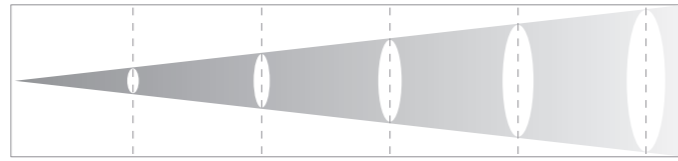
尺寸/DIMENSIONS



EVO 配件/EVO ACCESSORIES



光学数据/OPTICAL DATA



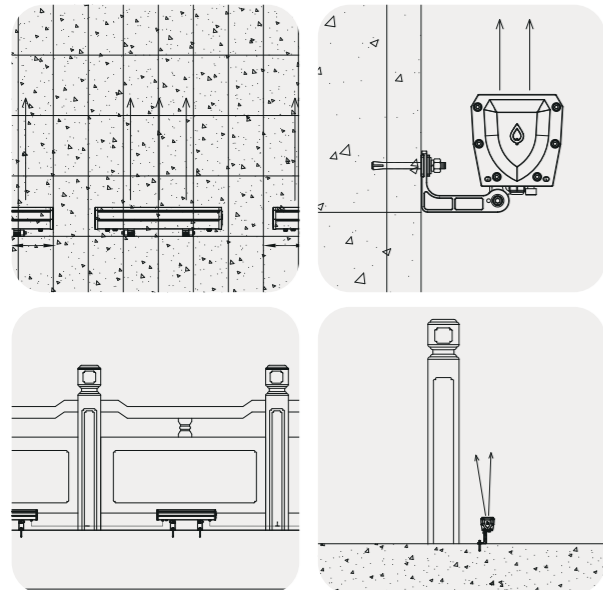
功率/Power 30W

距离 m	1	2	3	4	5
120° 照度 lux	368.18	92.05	40.91	23.01	14.73
光圈直径 m	0.85	1.71	2.56	3.41	4.26

型号信息/MODEL INFORMATION

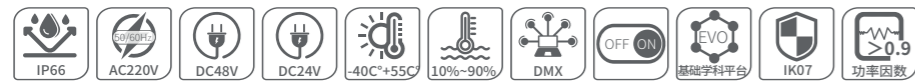
产品型号 Model	尺寸 Size	功率 Power(Pcs)	电压 Voltage	色温 Color Temperature	角度 Beam Angles	控制协议 Control	芯片品牌 Chips Brand
KMSW-YT1.1-TJ-A	W87*H173*L500mm	30W	AC220V DC24V	2700K-6500K	120 °	ON/OFF	CREE OSRAM EPISTAR LUMILEDS SANAN
KMSW-YT1.1-TJ-D		40W		RGBW		DMX512★★★	
KMSW-YT1.1-TJ-D		60W		RGBW			
KMSW-YT1.1-TJ-D		50W		RGBCLA			

安装示意图/INSTALLATION DIAGRAM



LED 水纹灯 LED WATER WAVE LAMP

KMSW-YT1.2
倚天 1.2

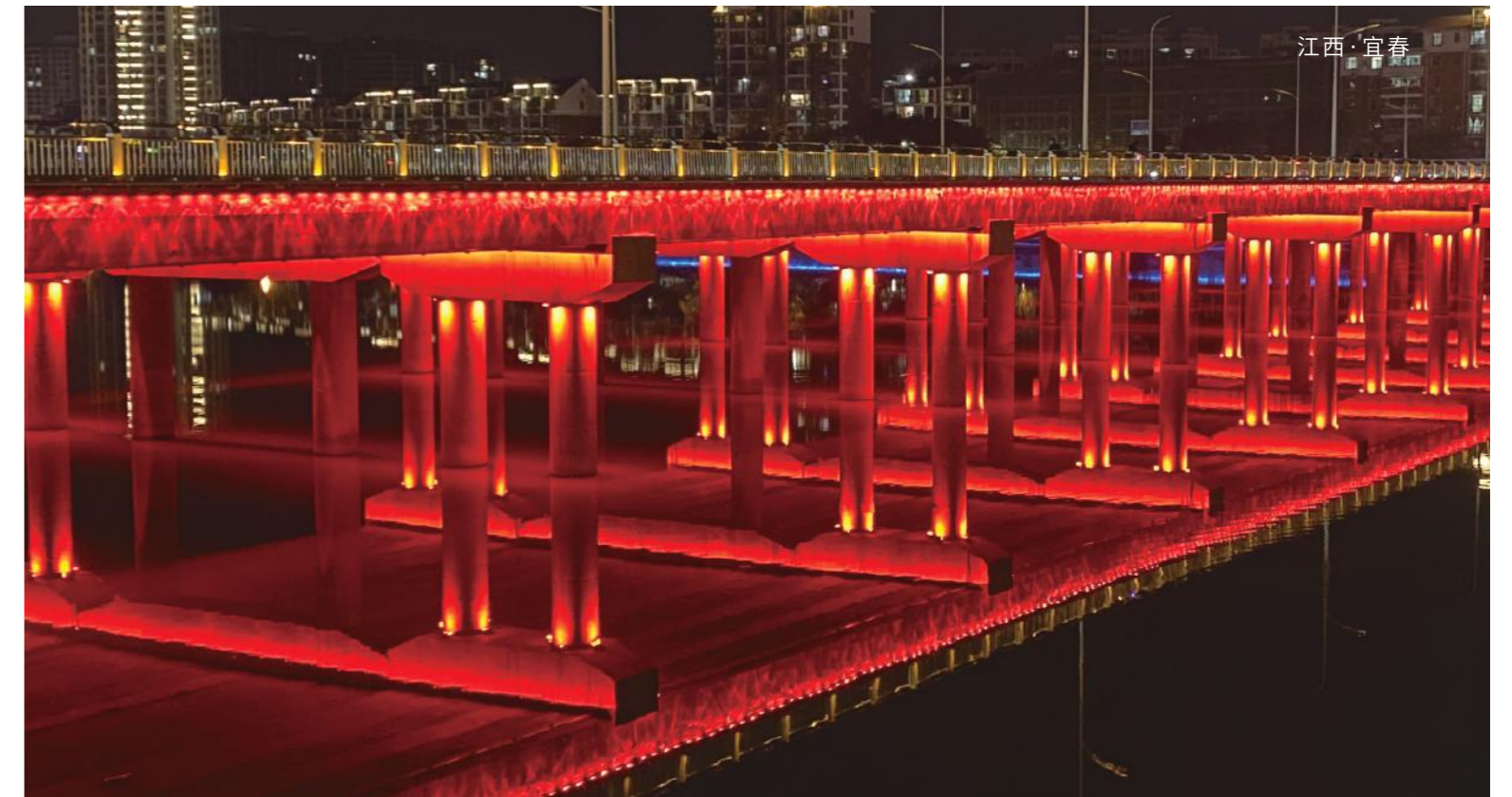


技术参数/PARAMETERS

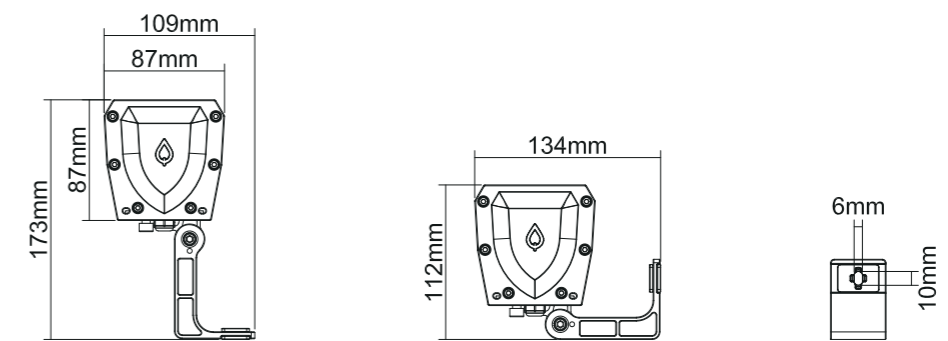
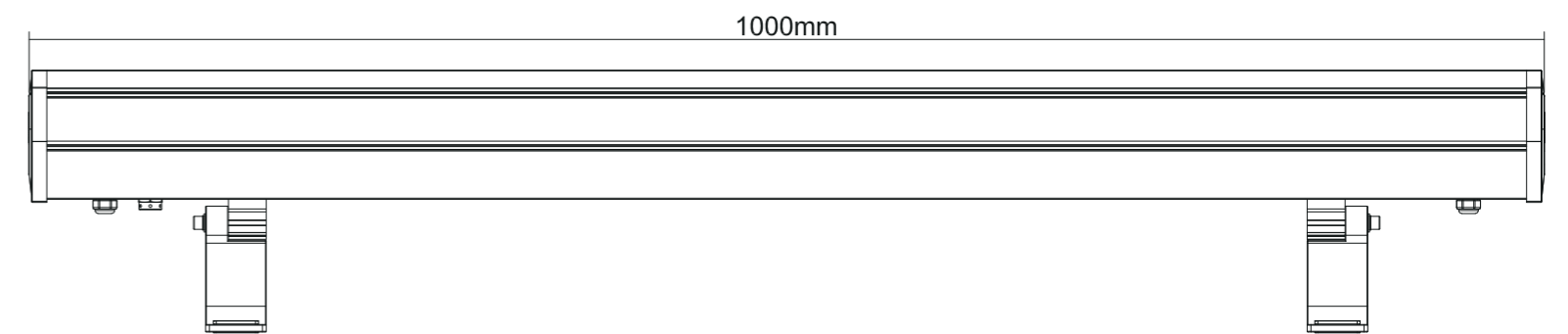
灯体材质: 高强度压铸铝灯体	Housing material: High-strength die-cast aluminum
超白钢化玻璃	Ultra-clear tempered glass
压铸铝堵头	Die-cast luminaire end-cap
防水密封胶垫	Waterproof silicone gasket
表面处理: 表面金属粉漆质感喷涂	Surface Finish: Electrostatically applied polyester powder coat
安 装: 可调角度范围:不可调角度	Installation: Non-adjustable brackets
灯具禁止安装在低洼积水处	Luminaires are not allowed to be installed in low-lying water
线 材: ON/OFF: 150mm两芯0.75mm ² 防水接头线	Cable: ON/OFF: 150mm two-core 0.75mm ² anti-siphon cable (Power cable)
ON/OFF AC220V: 150mm三芯0.75mm ² 防水接头线	ON/OFF AC220V: 150mm three-core 1mm ² anti-siphon cable (Power cable)
DMX512: 150mm五芯2*1+3*0.3mm ² 电源+信号防水接头线	DMX512: 500mm five-core 2*1+3*0.3mm ² cable (Power and signal in a cable)
DMX512 AC220V: 500mm三芯1mm ² 防水接头线 +500mm 四芯0.5mm ² 信号防水接头线	DMX512 AC220V: 500mm 3*1mm ² +4*0.5mm ² signal cable

产品特性/FEATURES&BENEFITS

独特的外观时尚设计,完美融入安装场景	Stylish design, perfect into the installation scene
加大的散热结构设计,充分保证LED的稳定性和长寿命	Huge-space heat dissipation structure ensure LED stability and long-life service
宽电压输入方案:精密的方案设计,高效输出,响应节能战略	Wide Voltage Input: Precise electronic scheme, powerful reach and energy-saving.
支持多种数据传输协议DMX512,DMX512-RDM	Support a variety of data transmission protocols:DMX512,DMX512-RDM
多位处理技术:支持多通道模式,频闪,CCT色温调节,总调光,RGBW/A/L 模式,CMY模式,调光模式等多功能选项	Multibit Processing technique:Support multi-channel mode, stroboscopic, CCT color temperature adjustment,RGBW/A/L mode, CMY mode and other multi-functional options
选配过压/过流监测保护,温度监测管理,白平衡管理,多色单通道高光效管理,CCT/DUV/高亮/高显色温管理,色彩灰阶校正管理	Optional overvoltage/overcurrent monitoring protection, temperature monitoring management, white balance management, multi-color single pass high light efficiency management, CCT/DUV/ high brightness/high color temperature management, color gray level correction management



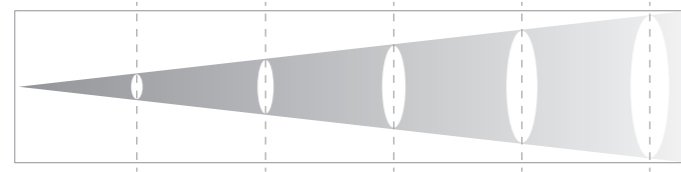
尺寸/DIMENSIONS



EVO 配件/EVO ACCESSORIES



光学数据/OPTICAL DATA



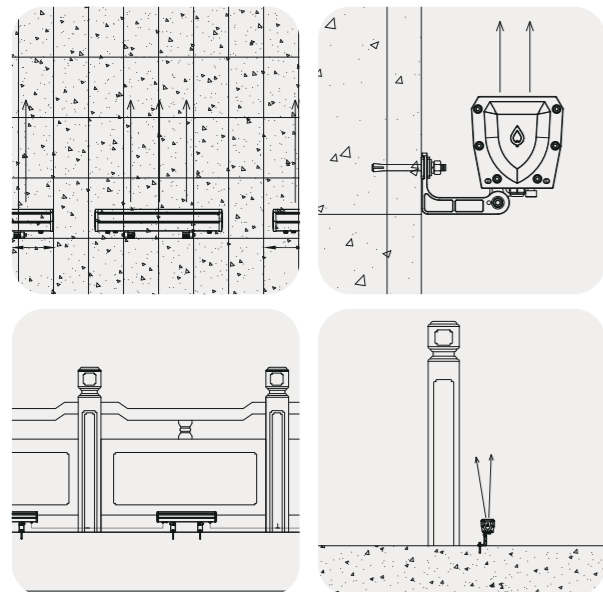
功率/Power 60W

	距离 m	1	2	3	4	5
120°	照度 lux	460.23	115.06	51.14	28.76	18.41
	光圈直径 m	0.85	1.71	2.56	3.41	4.26

型号信息/MODEL INFORMATION

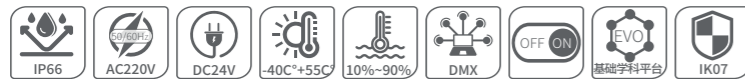
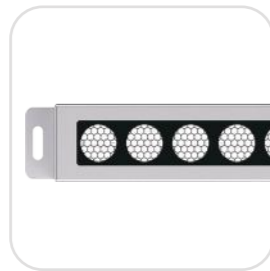
产品型号 Model	尺寸 Size	功率 Power(Pcs)	电压 Voltage	色温 Color Temperature	角度 Beam Angles	控制协议 Control	芯片品牌 Chips Brand
KMSW-YT1.2-TJ-A	W87*H173*L1000mm	60W	AC220V DC24V	2700K -6500K	120 °	ON/OFF	CREE OSRAM EPISTAR LUMILEDS SANAN
KMSW-YT1.2-TJ-D		80W		RGBW		DMX512★★★	
KMSW-YT1.2-TJ-D		120W		RGBW			
KMSW-YT1.2-TJ-D		100W		RGBCLA			

安装示意图/INSTALLATION DIAGRAM



LED 护栏灯 LED GUARDRAIL LAMP SERIES

KMHL-BA 1.0
泊岸 1.0



技术参数/PARAMETERS

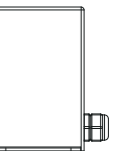
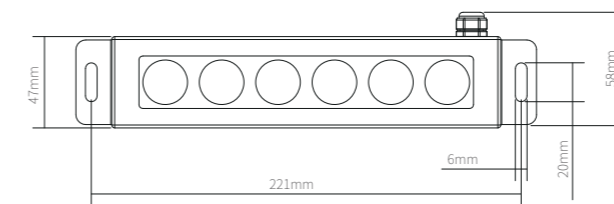
灯体材质: 6063航空铝灯体	Housing material: 6063 aviation aluminum
超白钢化玻璃	Ultra-clear tempered glass
防水密封硅胶垫	Waterproof silicone gasket
表面处理: 表面金属粉质感喷涂	Surface Finish: Electrostatically applied polyester powder coat
安 装: 可调角度范围:不可调角度	Installation: Non-adjustable brackets
灯具禁止安装在低洼积水处	Luminaires are not allowed to be installed in low-lying water
线 材: ON/OFF: 500mm两芯1mm ² 止水线	Cable: ON/OFF: 500mm two-core 1mm ² anti-siphon cable (Power cable)
ON/OFF AC220V: 500mm三芯1mm ² 止水线	ON/OFF AC220V: 500mm three-core 1mm ² anti-siphon cable (Power cable)
DMX512: 500mm五芯2*1+3*0.3mm ² 电源+信号防水接头线	DMX512: 500mm five-core 2*1+3*0.3mm ² cable (Power and signal in a cable)

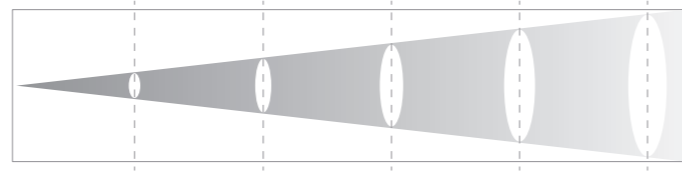
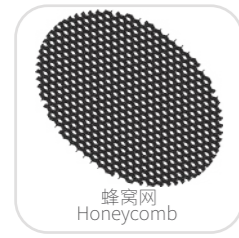
产品特性/FEATURES&BENEFITS

外观时尚精致, 完美融入安装场景	Stylish design ,perfect into the installation scene
宽电压输入方案: 精密的方案设计, 高效输出, 响应节能战略	Wide Voltage Input: Precise electronic scheme, powerful reach and energy-saving
支持多种数据传输协议DMX512	Support a variety of data transmission protocol :DMX512
多位处理技术: 支持亮度调节, 内置亮灯模式设置, 自动编码	Multi-bit processing technology: Support brightness adjustment, built-in lighting mode setting, automatic coding



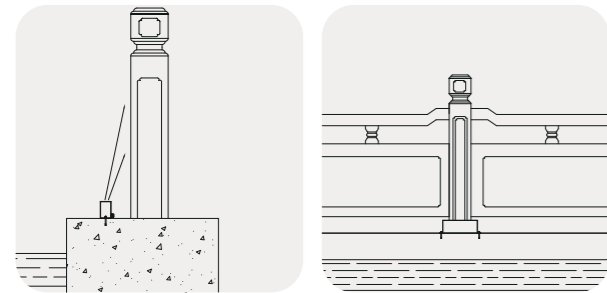
尺寸/DIMENSIONS





功率/Power 6W

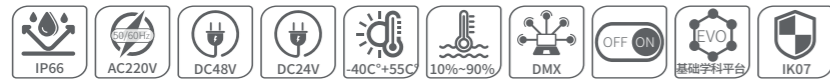
	距离 m	1	2	3	4	5
10°	照度 lux	4690.51	1172.63	521.17	293.16	187.62
	光圈直径 m	0.21	0.42	0.64	0.85	1.06
25°	照度 lux	1444.82	361.21	160.54	90.30	57.79
	光圈直径 m	0.46	0.93	1.39	1.86	2.32
45°	照度 lux	791.60	197.90	87.96	49.48	31.66
	光圈直径 m	0.77	1.55	2.32	3.10	3.87
60°	照度 lux	472.87	118.22	52.54	29.55	18.91
	光圈直径 m	1.13	2.26	3.39	4.52	5.65



产品型号 Model	尺寸 Size	功率 Power(Pcs)	电压 Voltage	色温 Color Temperature	角度 Beam Angles	控制协议 Control	芯片品牌 Chips Brand
KMHL-BA-PZ-6A	47*74*237mm	6W (6PCS)	AC220V DC24V	2200K - 6500K	10°、25°、45°、60°	ON/OFF	CREE OSRAM EPISTAR LUMILEDS SANAN
KMHL-BA-PZ-6A/B		6W (6PCS)		2200K - 6500K 1800K - 3000K+4000K - 6500K			
KMHL-BA-PZ-6C		12W (6PCS)	DC24V	RGB	15°、25°、40°、50°	DMX512	
KMHL-BA-PZ-6D		12W (6PCS)		RGBW			

LED 窗台灯 LED WINDOW SILL LUMINAIRE

KMCT-NC1.0
霓裳 1.0



技术参数/PARAMETERS

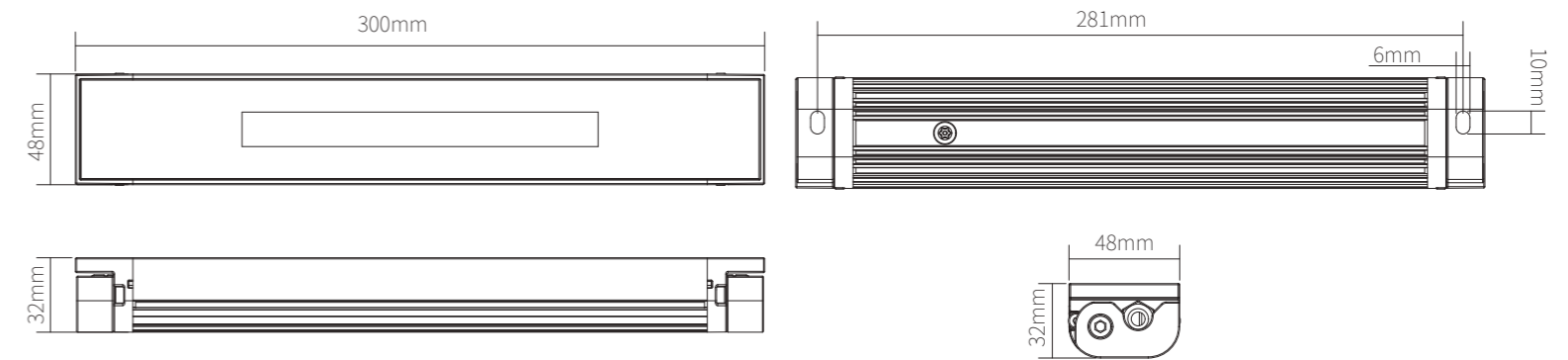
灯体材质: 6063航空铝灯体	Housing material: 6063 aviation aluminum
超白钢化玻璃	Ultra-clear tempered glass
防水密封硅胶垫	Waterproof silicone gasket
表面处理: 表面金属粉漆质感喷涂	Surface Finish: Electrostatically applied polyester powder coat
安 装: 可调角度范围:可调角度:90°	Installation: Luminaires Rotation: 90°
灯具禁止安装在低洼积水处	Luminaires are not allowed to be installed in low-lying water
线 材: ON/OFF: 150mm两芯0.75mm²防水接头线	Cable: ON/OFF: 150mm two-core 1mm² (power cable)
ON/OFF AC220V: 150mm三芯0.75mm²防水接头线	ON/OFF AC220V: 150mm three-core 0.75mm² (Power cable)
DMX512:150mm五芯2*1+3*0.3mm² 电源+信号防水接头线	DMX512: 150mm five-core 2*1+3*0.3mm² cable (Power and signal in a cable)
DMX512 AC220V: 500mm三芯1mm² 防水接头线	DMX512 AC220V: 500mm 3*1mm²+4*0.5mm² cable (Power and signal in a cable)
+500mm四芯0.5mm² 信号防水接头线	

产品特性/FEATURES&BENEFITS

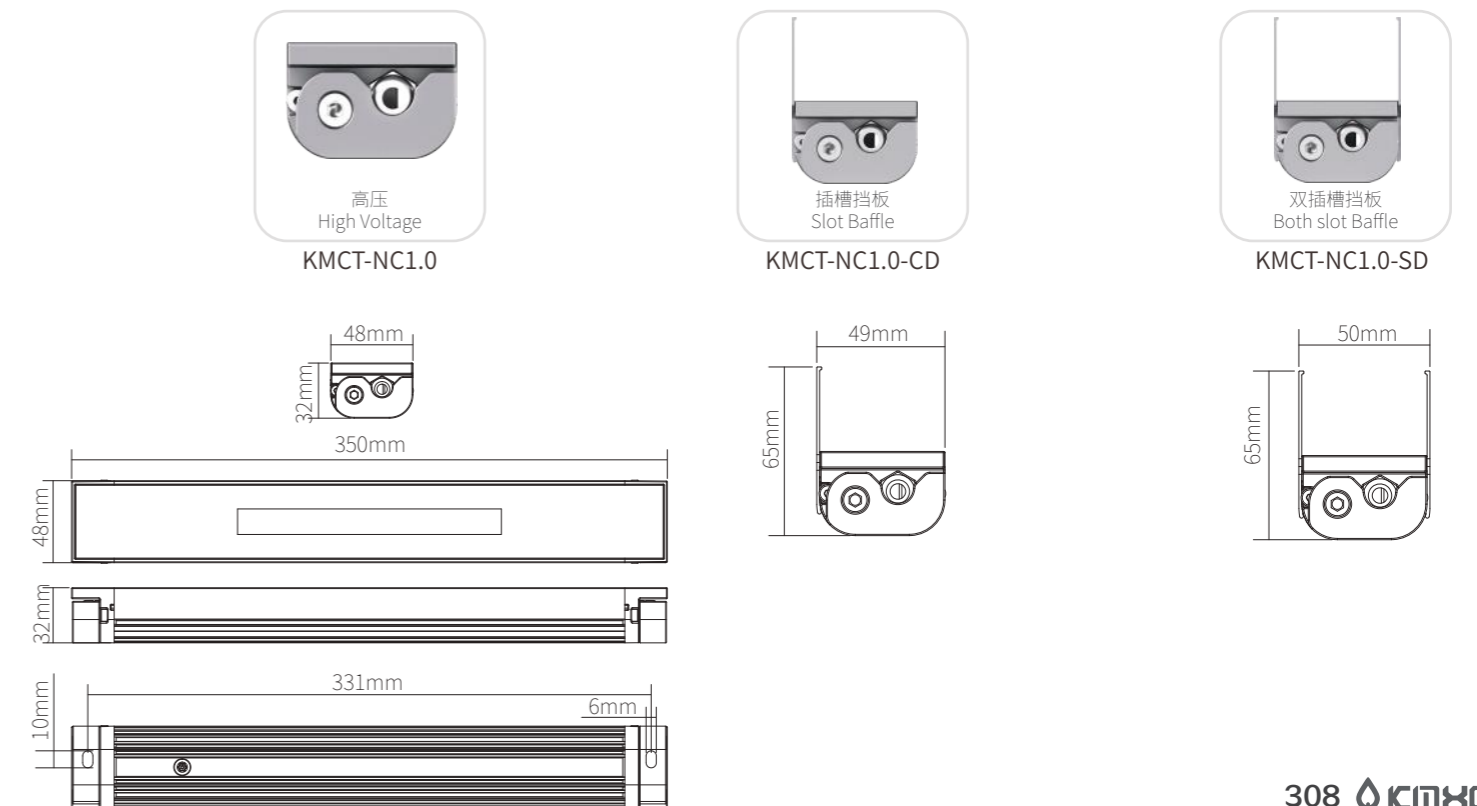
简约的外观设计, 充满线条感, 完美融入安装场景	Stylish design, full of line sense, perfect into the installation scene
可隐藏的安裝支架使窗台灯更具整体性	The hidden mounting bracket makes the windowsill light more integrated
宽电压输入方案: 精密的方案设计, 高效输出, 响应节能战略	Wide Voltage Input: Precise electronic scheme, powerful reach and energy-saving.
支持多种数据传输协议DMX512	Support a variety of data transmission protocols :DMX512
多位处理技术: 支持亮度调节, 内置亮灯模式设置, 自动编码	Multi-bit processing technology: Support brightness adjustment, built-in lighting mode setting, automatic coding



尺寸/DIMENSIONS



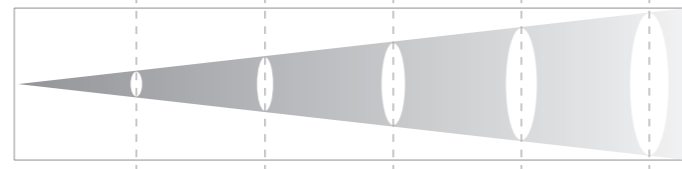
其他尺寸/OTHER DIMENSIONS



EVO 配件/EVO ACCESSORIES



光学数据/OPTICAL DATA



功率/Power 20W

距离m	1	1.5	2	2.5	3
6°110° 照度lux	2103.25	934.78	525.81	336.52	233.69
光圈直径m	0.11	0.17	0.22	0.28	0.33

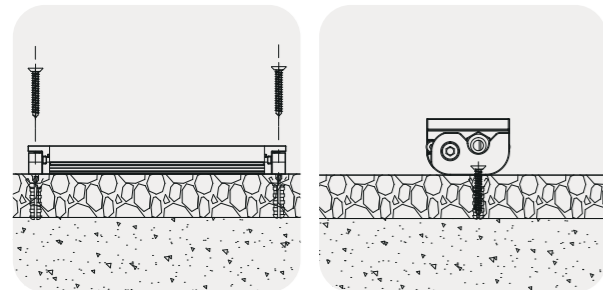
功率/Power 20W

距离m	1	1.5	2	2.5	3
6°110° 照度lux	707.18	314.30	176.80	113.15	78.58
光圈直径m	0.11	0.17	0.23	0.28	0.34

功率/Power 15W

距离m	1	1.5	2	2.5	3
6°110° 照度lux	442.99	196.88	110.75	70.88	49.22
光圈直径m	0.10	0.15	0.19	0.24	0.29

安装示意图/INSTALLATION DIAGRAM

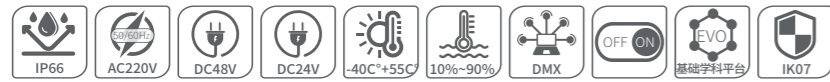


型号信息/MODEL INFORMATION

产品型号 Model	尺寸 Size	功率Power(Pcs)	电压 Voltage	色温 Color Temperature	角度 Beam Angles	控制协议 Control	芯片品牌 Chips Brand
KMCT-NC1.0-TJ-4A	48*32*300mm	12W (4PCS)	AC220V	2200K-6500K	6°110°	ON/OFF	CREE OSRAM EPISTAR LUMILEDS SANAN
KMCT-NC1.0-TJ-4A		20W (4PCS)	DC24V DC48V	2200K-6500K			
KMCT-NC1.0-TJ-4A/B		20W (4PCS)		2200K-6500K 1800K-3000K+4000K-6500K			
KMCT-NC1.0-TJ-3C		15W (3PCS)		R+G+B		DMX512	
KMCT-NC1.0-TJ-4D		20W (4PCS)	R+G+B+W				

LED 窗台灯 LED WINDOW SILL LUMINAIRE

KMCT-NC 2.0
霓裳 2.0

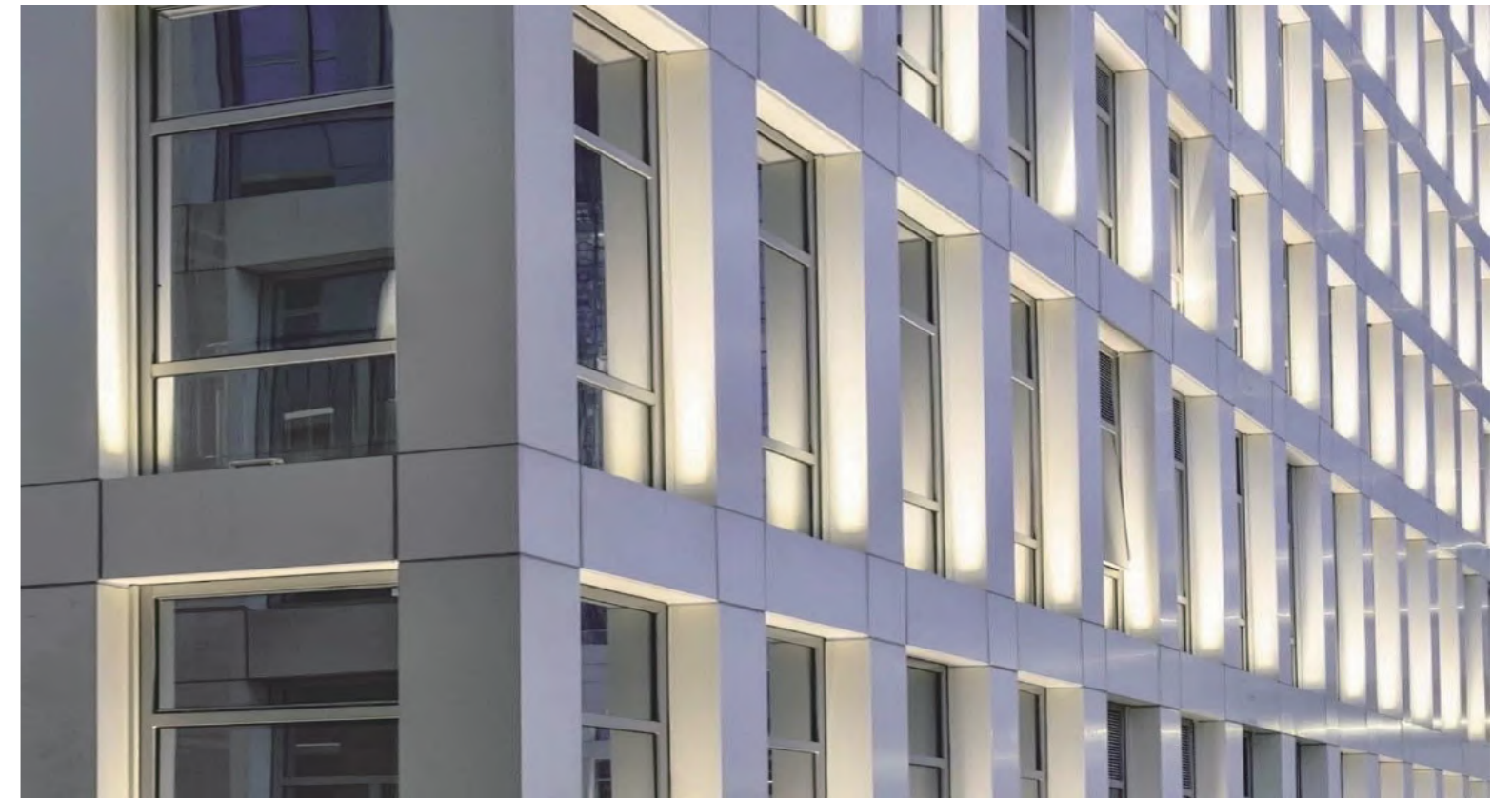


技术参数/PARAMETERS

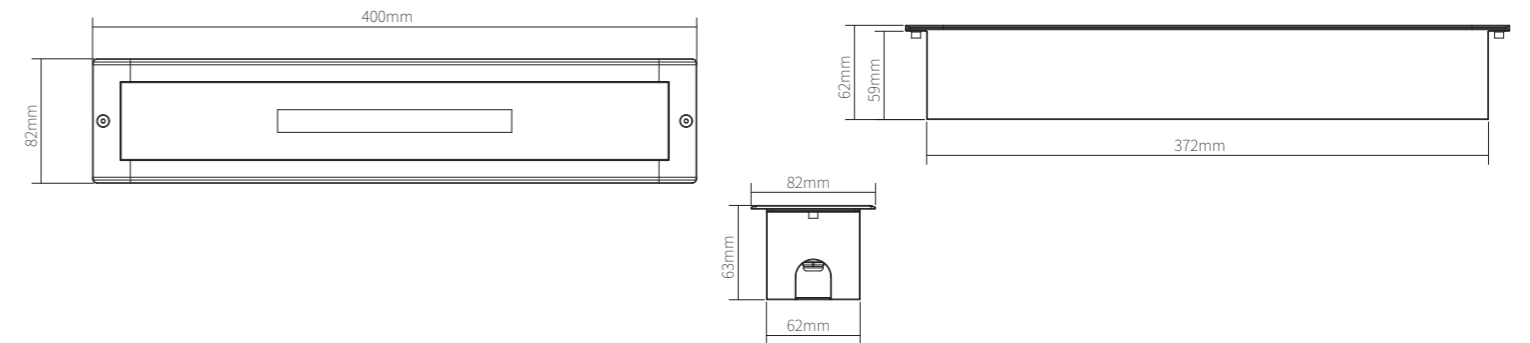
灯体材质: 6063航空铝灯体	Housing material: 6063 aviation aluminum
超白钢化玻璃	Ultra-clear tempered glass
防水密封胶垫	Waterproof silicone gasket
表面处理: 表面金属粉漆质感喷涂	Surface Finish: Electrostatically applied polyester powder coat
安 装: 可调角度范围:不可调角度	Installation: Non-adjustable brackets
灯具禁止安装在低洼积水处	Luminaires are not allowed to be installed in low-lying water
线 材: ON/OFF: 150mm两芯0.75mm ² 防水接头线	Cable: ON/OFF: 150mm two-core 1mm ² (power cable)
ON/OFF AC220V: 150mm三芯0.75mm ² 防水接头线	ON/OFF AC220V: 150mm three-core 0.75mm ² (Power cable)
DMX512: 150mm五芯2*1+3*0.3mm ² 电源+信号防水接头线	DMX512: 150mm five-core 2*1+3*0.3mm ² cable (Power and data in one cable)
DMX512 AC220V: 500mm三芯1mm ² 防水接头线	DMX512 AC220V: 500mm 3*1mm ² +4*0.5mm ² cable (Power and data in one cable)
+500mm四芯0.5mm ² 信号防水接头线	

产品特性/FEATURES&BENEFITS

简约的外观设计, 充满线条感, 完美融入安装场景	Stylish design, full of line sense, perfect into the installation scene
可隐藏的安装支架使窗台灯更具整体性	The hidden mounting bracket makes the windowsill light more integrated
宽电压输入方案: 精密的方案设计, 高效输出, 响应节能战略	Wide Voltage Input: Precise electronic scheme, powerful reach and energy-saving.
支持多种数据传输协议DMX512	Support a variety of data transmission protocols :DMX512
多位处理技术: 支持亮度调节, 内置亮灯模式设置, 自动编码	Multi-bit processing technology: Support brightness adjustment, built-in lighting mode setting, automatic coding



尺寸/DIMENSIONS



其他尺寸/OTHER DIMENSIONS



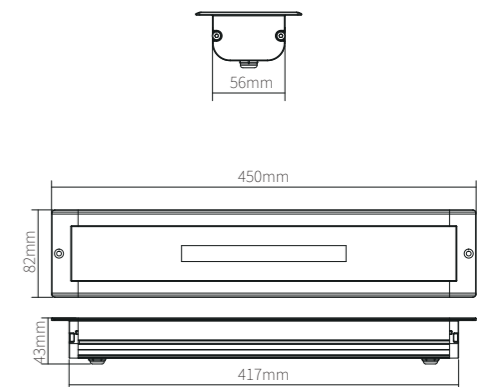
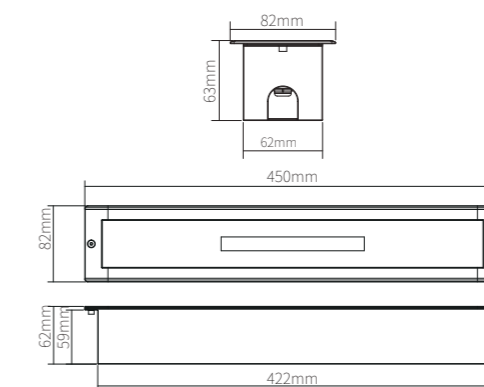
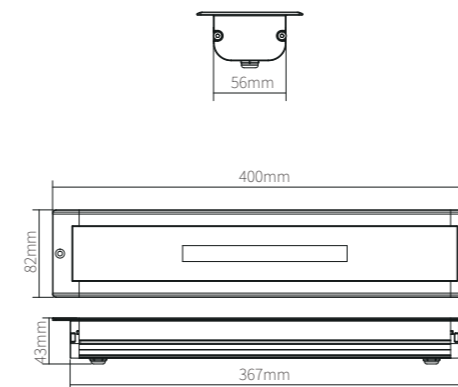
KMCT-NC1.0-FY



KMCT-NC1.0-YM



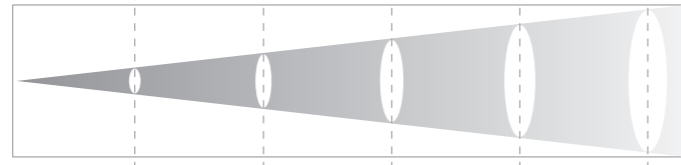
KMCT-NC1.0-FY



EVO 配件/EVO ACCESSORIES



光学数据/OPTICAL DATA



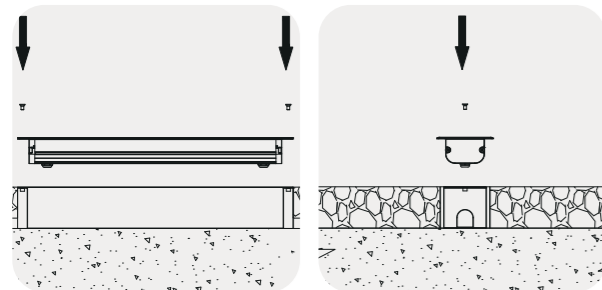
功率/Power 20W

距离m	1	1.5	2	2.5	3
6°110° 照度lux	2103.25	934.78	525.81	336.52	233.69
光圈直径m	0.11	0.17	0.22	0.28	0.33

功率/Power 20W

距离m	1	1.5	2	2.5	3
6°110° 照度lux	707.18	314.30	176.80	113.15	78.58
光圈直径m	0.11	0.17	0.23	0.28	0.34

安装示意图/INSTALLATION DIAGRAM



功率/Power 15W

距离m	1	1.5	2	2.5	3
6°110° 照度lux	442.99	196.88	110.75	70.88	49.22
光圈直径m	0.10	0.15	0.19	0.24	0.29

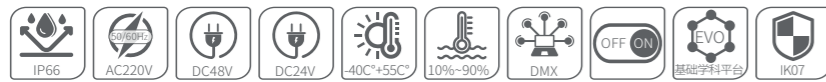
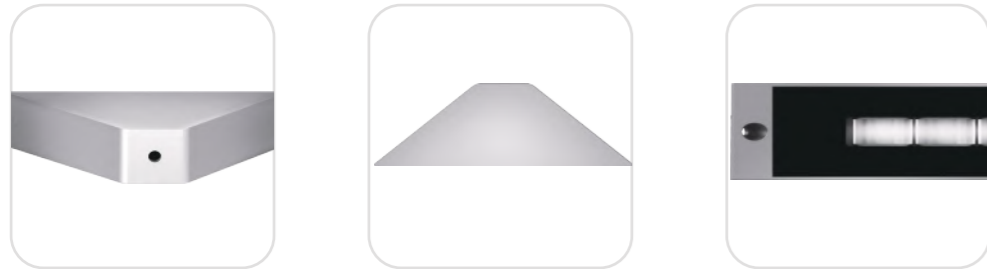
型号信息/MODEL INFORMATION

产品型号 Model	尺寸 Size	功率 Power(Pcs)	电压 Voltage	色温 Color Temperature	角度 Beam Angles	控制协议 Control	芯片品牌 Chips Brand
KMCT-NC2.0-FB-4A	85*63*400mm	12W(4PCS)	AC220V	2200K -6500K	6°110°	ON/OFF	CREE OSRAM EPISTAR LUMILEDS SANAN
KMCT-NC2.0-FB-4A		20W(4PCS)	DC24V DC48V	2200K -6500K			
KMCT-NC2.0-FB-4A/B		20W(4PCS)		2200K -6500K 1800K-3000K+4000K-6500K			
KMCT-NC2.0-FB-3C		15W(3PCS)		R+G+B			
KMCT-NC2.0-FB-4D		20W(4PCS)		R+G+B+W			
						DMX512	

LED 窗台灯 LED WINDOW SILL LUMINAIRE

KMCT-NC 3.0

霓裳 3.0



技术参数/PARAMETERS

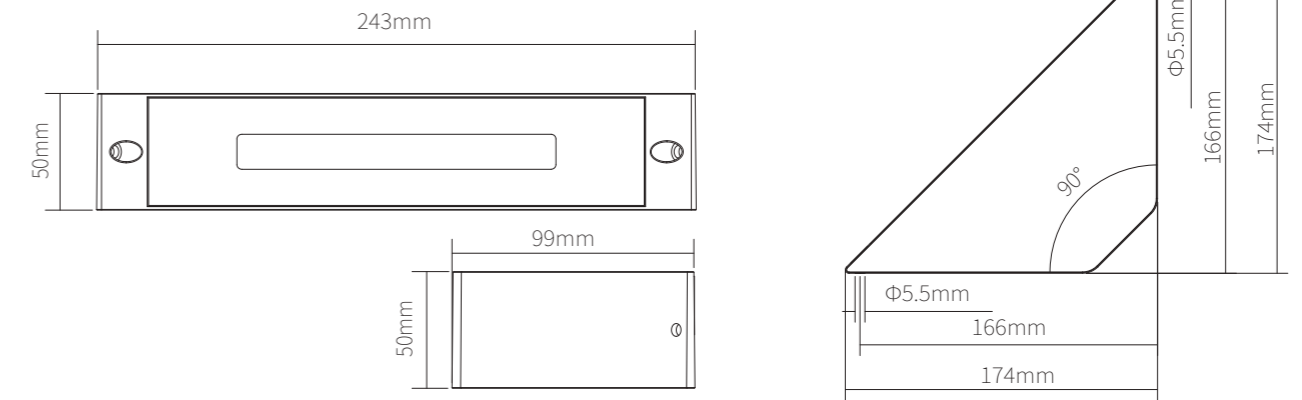
灯体材质: 6063航空铝灯体 超白钢化玻璃 防水密封硅胶垫	Housing material: 6063 aviation aluminum Ultra-clear tempered glass Waterproof silicone gasket
表面处理: 表面金属粉质感喷涂	Surface Finish: Electrostatically applied polyester powder coat
安 装: 可调角度范围:不可调角度 灯具禁止安装在低洼积水处	Installation: Non-adjustable brackets Luminaires are not allowed to be installed in low-lying water
线 材: ON/OFF: 150mm两芯0.75mm ² 防水接头线 ON/OFF AC220V: 150mm三芯0.75mm ² 防水接头线 DMX512: 150mm五芯2*1+3*0.3mm ² 电源+信号防水接头线 DMX512 AC220V: 500mm三芯1mm ² 防水接头线 +500mm四芯0.5mm ² 信号防水接头线	Cable: ON/OFF: 150mm two-core 1mm ² (power cable) ON/OFF AC220V: 150mm three-core 0.75mm ² (Power cable) DMX512: 150mm five-core 2*1+3*0.3mm ² cable (Power and signal in a cable) DMX512 AC220V: 500mm 3*1mm ² +4*0.5mm ² cable (Power and signal in a cable)

产品特性/FEATURES&BENEFITS

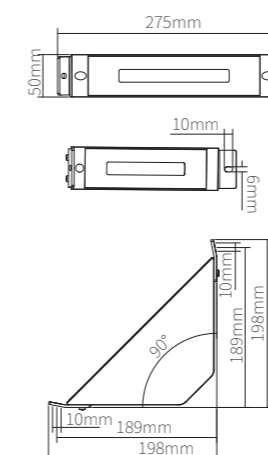
简约的外观设计, 充满线条感, 完美融入安装场景	Stylish design, full of line sense, perfect into the installation scene
可隐藏的安装支架使窗台灯更具整体性	The hidden mounting bracket makes the windowsill light more integrated
宽电压输入方案: 精密的方案设计, 高效输出, 响应节能战略	Wide Voltage Input: Precise electronic scheme, powerful reach and energy-saving.
支持多种数据传输协议DMX512	Support a variety of data transmission protocol: DMX512
多位处理技术: 支持亮度调节, 内置亮灯模式设置, 自动编码	Multi-bit processing technology: Support brightness adjustment, built-in lighting mode setting, automatic coding



尺寸/DIMENSIONS



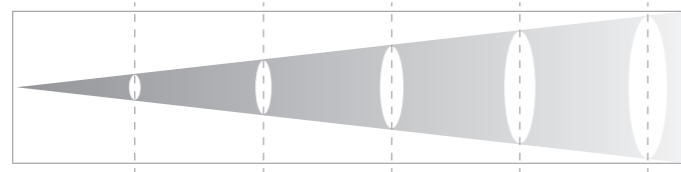
其他尺寸/OTHER DIMENSIONS



EVO 配件/EVO ACCESSORIES



光学数据/OPTICAL DATA



功率/Power 20W

距离m	1	1.5	2	2.5	3
6°110° 照度lux	2103.25	934.78	525.81	336.52	233.69
光圈直径m	0.11	0.17	0.22	0.28	0.33

功率/Power 20W

距离m	1	1.5	2	2.5	3
6°110° 照度lux	707.18	314.30	176.80	113.15	78.58
光圈直径m	0.11	0.17	0.23	0.28	0.34

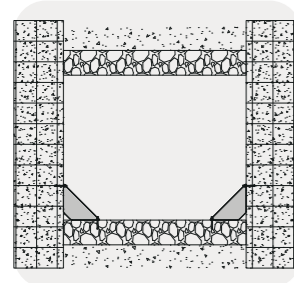
功率/Power 15W

距离m	1	1.5	2	2.5	3
6°110° 照度lux	442.99	196.88	110.75	70.88	49.22
光圈直径m	0.10	0.15	0.19	0.24	0.29

型号信息/MODEL INFORMATION

产品型号 Model	尺寸 Size	功率 Power(Pcs)	电压 Voltage	色温 Color Temperature	角度 Beam Angles	控制协议 Control	芯片品牌 Chips Brand
KMCT-NC3.0-PZ-4A	50*99*243mm	12W (4PCS)	AC220V	2200K - 6500K	6°110°	ON/OFF	CREE OSRAM EPISTAR LUMILEDS SANAN
KMCT-NC3.0-PZ-4A		20W (4PCS)		2200K - 6500K			
KMCT-NC3.0-PZ-4A/B		20W (4PCS)	DC24V DC48V AC220V	2200K - 6500K 1800K - 3000K+4000K - 6500K			
KMCT-NC3.0-PZ-3C		15W (3PCS)		R+G+B		DMX512	
KMCT-NC3.0-PZ-4D		20W (4PCS)		R+G+B+W			

安装示意图/INSTALLATION DIAGRAM



LED 窗台灯 LED WINDOW SILL LUMINAIRE

KMCT-XL 1.0
轩凉 1.0



技术参数/PARAMETERS

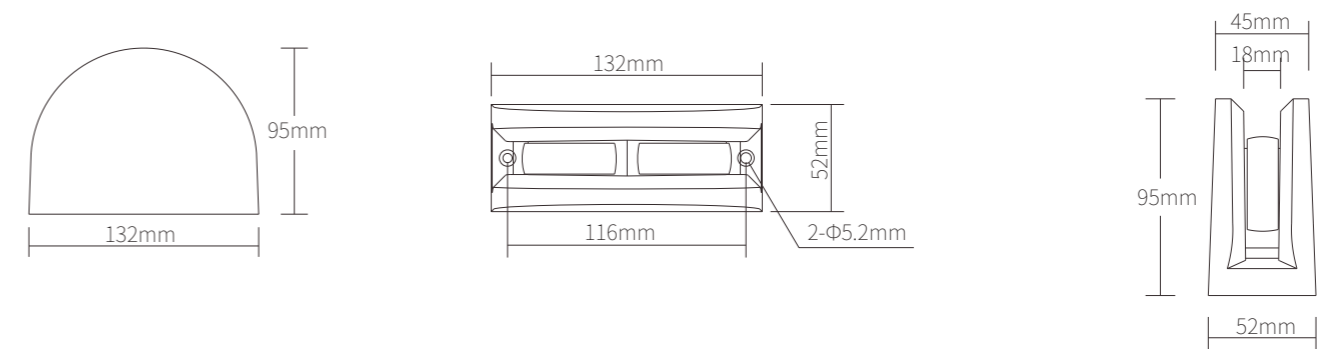
灯体材质: 高强度压铸铝灯体	Housing material: High-strength die-cast aluminium
防水密封硅胶垫	Waterproof silicone gasket
表面处理: 表面金属粉质感喷涂	Surface Finish: Electrostatically applied polyester powder coat
安 装: 可调角度范围:不可调角度	Installation: Non-adjustable brackets
灯具禁止安装在低洼积水处	Luminaires are not allowed to be installed in low-lying water
线 材: ON/OFF: 500mm两芯1mm ² 护套线	Cable: ON/OFF: 500mm two-core 1mm ² sheathed cable (Power cable)
ON/OFF AC220V: 500mm三芯1mm ² 护套线	ON/OFF AC220V: 500mm three-core 0.75mm ² sheathed cable (Power cable)
DMX512: 500mm六芯2*0.75+4*0.3mm ² 护套线	DMX512: 500mm six-core 2*0.75+4*0.3mm ² sheathed cable(Power and signal in a cable)

产品特性/FEATURES&BENEFITS

半圆的外观设计, 小巧精致, 完美融入安装场景	Semi-circle and tiny design, perfect into the installation scene
宽电压输入方案: 精密的方案设计, 高效输出, 响应节能战略	Wide Voltage Input: Precise electronic scheme, powerful reach and energy-saving.
支持多种数据传输协议DMX512	Support a variety of data transmission protocol :DMX512
多位处理技术: 支持亮度调节, 内置亮灯模式设置, 自动编码	Multi-bit processing technology: Support brightness adjustment, built-in lighting mode setting, automatic coding



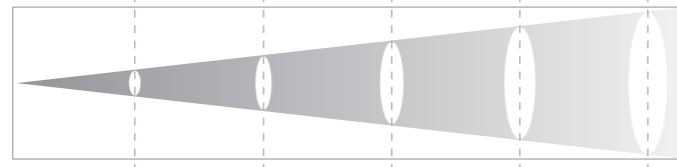
尺寸/DIMENSIONS



EVO 配件/EVO ACCESSORIES



光学数据/OPTICAL DATA



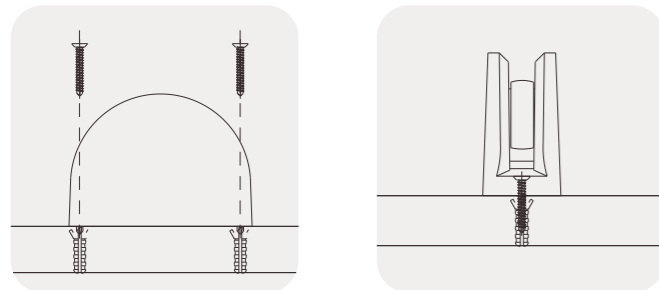
功率/Power 18W

距离m	1	2	3	4	5
4°180° 照度_LUX	1703.72	425.93	189.30	106.48	68.15
光圈直径m	0.07	0.13	0.20	0.27	0.34

型号信息/MODEL INFORMATION

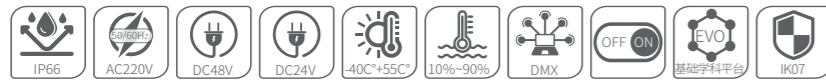
产品型号 Model	尺寸 Size	功率 Power(Pcs)	电压 Voltage	色温 Color Temperature	角度 Beam Angles	控制协议 Control	芯片品牌 Chips Brand
KMCT-XL-PZ-6A	132*52*95mm	18W (6PCS)	AC220V DC24V	2200K - 6500K	4°180°	ON/OFF	CREE OSRAM
KMCT-XL-PZ-6C		18W (6PCS)	DC24V	RGB	4°180°	DMX512	EPISTAR LUMILEDS SANAN

安装示意图/INSTALLATION DIAGRAM



LED 台阶灯 LED STEP LAMP

KMTJ-TB 1.0
探步 1.0

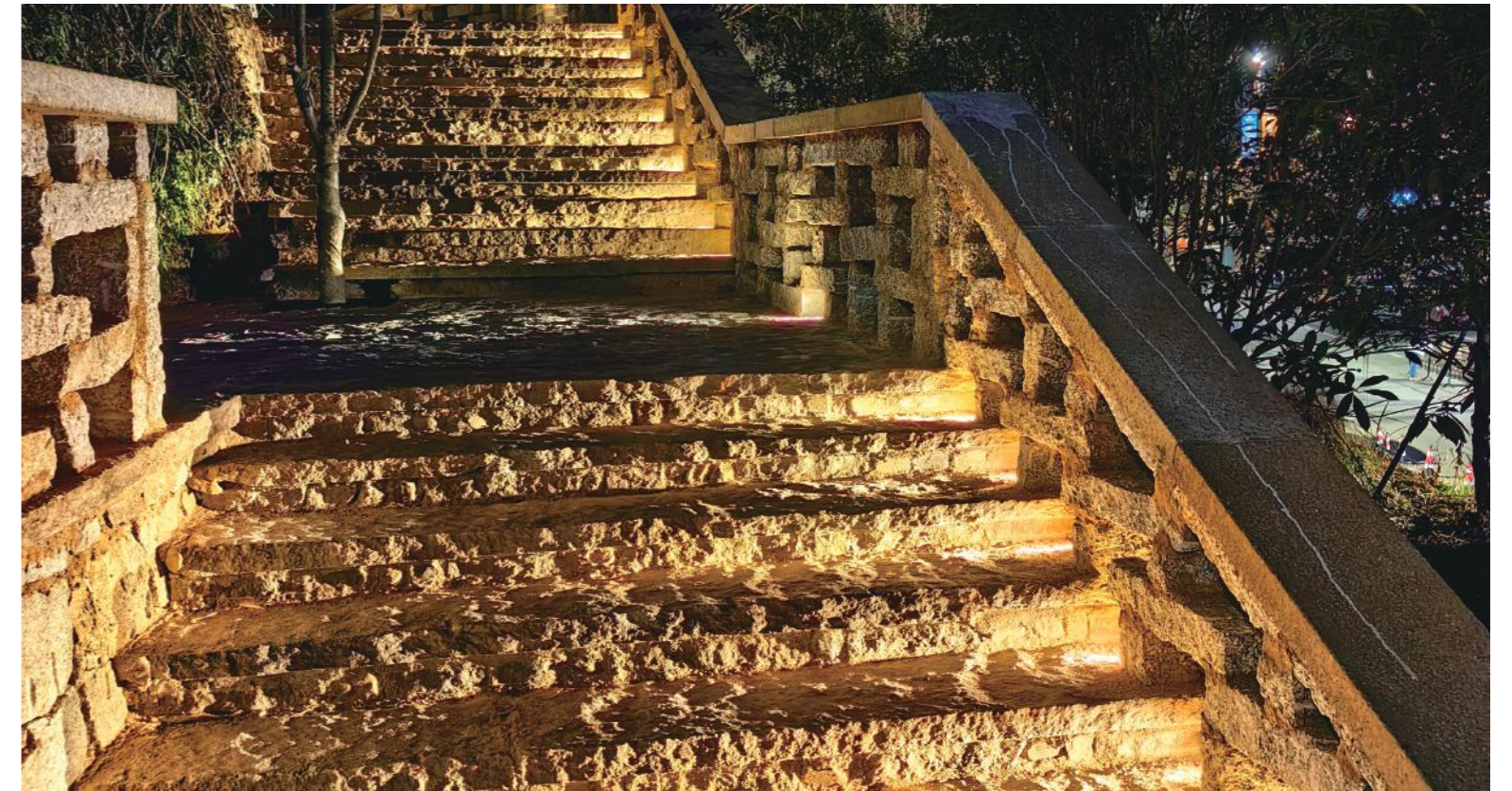


技术参数/PARAMETERS

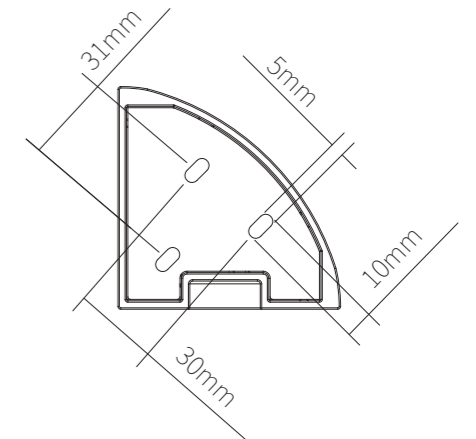
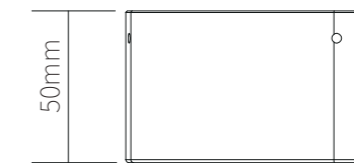
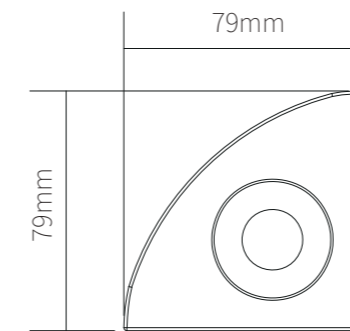
灯体材质: 高强度压铸铝灯体 超白钢化玻璃 防水密封硅胶垫	Housing material: High-strength die-cast aluminium Ultra-clear tempered glass Waterproof silicone gasket
表面处理: 表面金属粉质感喷涂	Surface Finish: Electrostatically applied polyester powder coat
安 装: 可调角度范围:不可调角度 灯具禁止安装在低洼积水处	Installation: Non-adjustable brackets Luminaires are not allowed to be installed in low-lying water
线 材: ON/OFF: 500mm两芯1mm ² 护套线 ON/OFF AC220V: 500mm三芯1mm ² 护套线 DMX512: 500mm六芯2*0.75+4*0.3mm ² 护套线	Cable: ON/OFF : 500mm two-core 1mm ² sheathed cable (Power cable) ON/OFF AC220V: 500mm three-core 0.75mm ² sheathed cable (Power cable) DMX512 : 500mm six-core 2*0.75+4*0.3mm ² sheathed cable(Power and signal in a cable)

产品特性/FEATURES&BENEFITS

造型小巧精致, 简易的安装方式, 完美融入安装场景	Simple and tiny design, easy to install, perfect into the installation scene
宽电压输入方案: 精密的方案设计, 高效输出, 响应节能战略	Wide Voltage Input: Precise electronic scheme, powerful reach and energy-saving
支持多种数据传输协议DMX51	Support a variety of data transmission protocol: DMX512
多位处理技术: 支持亮度调节, 内置亮灯模式设置, 自动编码	Multi-bit processing technology: Support brightness adjustment, built-in lighting mode setting, automatic coding



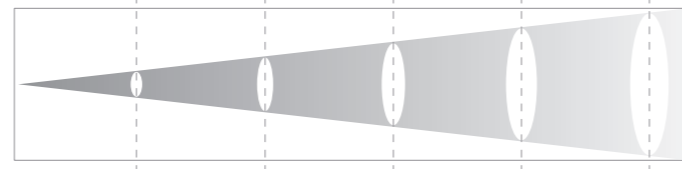
尺寸/DIMENSIONS



EVO 配件/EVO ACCESSORIES



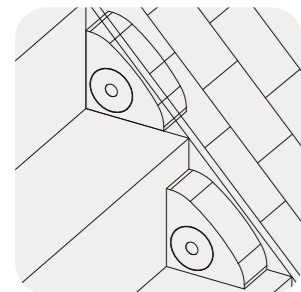
光学数据/OPTICAL DATA



功率/Power 3W

距离 m	1	1.5	2	2.5	3	
8°	照度 lux	4875.34	2166.82	1218.84	780.05	541.70
	光圈直径 m	0.14	0.21	0.28	0.35	0.42
10°	照度 lux	1998.11	888.05	499.53	319.70	222.01
	光圈直径 m	0.20	0.30	0.41	0.51	0.61
13°	照度 lux	1640.22	728.99	410.06	262.44	182.25
	光圈直径 m	0.20	0.31	0.41	0.51	0.61
20°	照度 lux	745.53	331.35	186.38	119.28	82.84
	光圈直径 m	0.38	0.57	0.75	0.94	1.13
40°	照度 lux	290.66	129.18	72.67	46.51	32.30
	光圈直径 m	0.67	1.01	1.34	1.68	2.01
45°	照度 lux	262.39	116.62	65.60	41.98	29.15
	光圈直径 m	0.80	1.20	1.61	2.01	2.41

安装示意图/INSTALLATION DIAGRAM



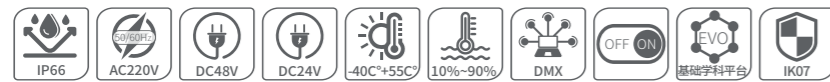
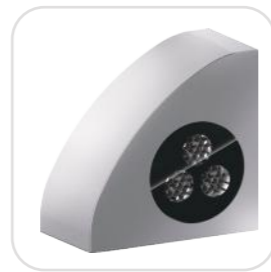
型号信息/MODEL INFORMATION

产品型号 Model	尺寸 Size	功率 Power(Pcs)	电压 Voltage	色温 Color Temperature	角度 Beam Angles	控制协议 Control	芯片品牌 Chips Brand
KMTJ-TB1.0 - PZ- 1A	79*79*50mm	3W (1PCS)	DC24V DC48V AC220V	2700K- 6500K	8°、10°、13°、15°、 20°、25°、40°、45°	ON/OFF	CREE OSRAM EPISTAR LUMILEDS SANAN
KMTJ-TB1.0 - PZ- 1A/B		3W (1PCS)		2200K- 6500K 1800K- 3000K+4000K - 6500K			
KMTJ-TB1.0 - PZ- 1C		3W (1PCS)	DC24V DC48V	RGB	15°、25°、45°、60°	DMX512	
KMTJ-TB1.0 - PZ- 1D		4W (1PCS)		RGBW			

LED 台阶灯 LED STEP LAMP

KMTJ-TB 2.0

探步 2.0

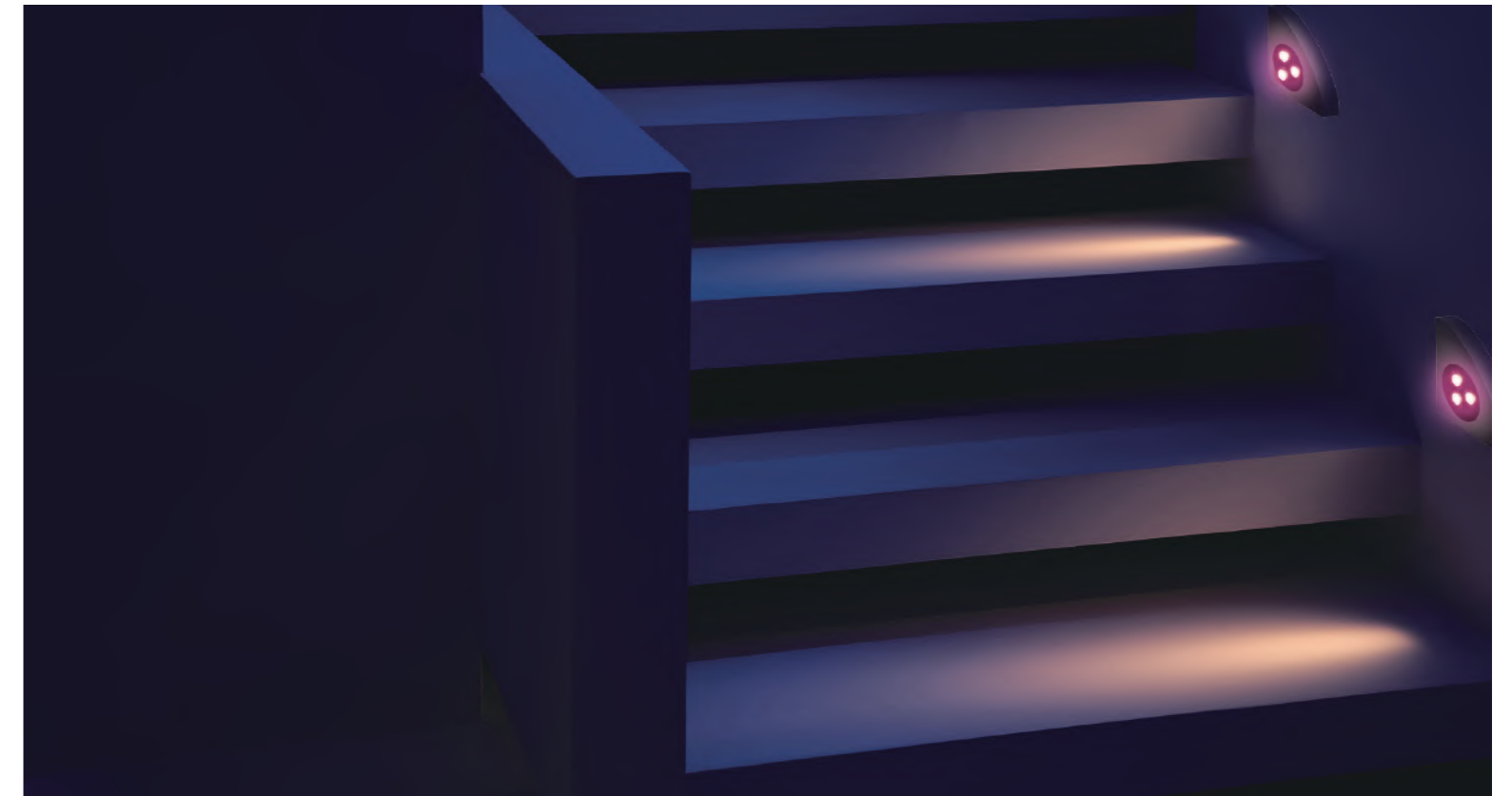


技术参数/PARAMETERS

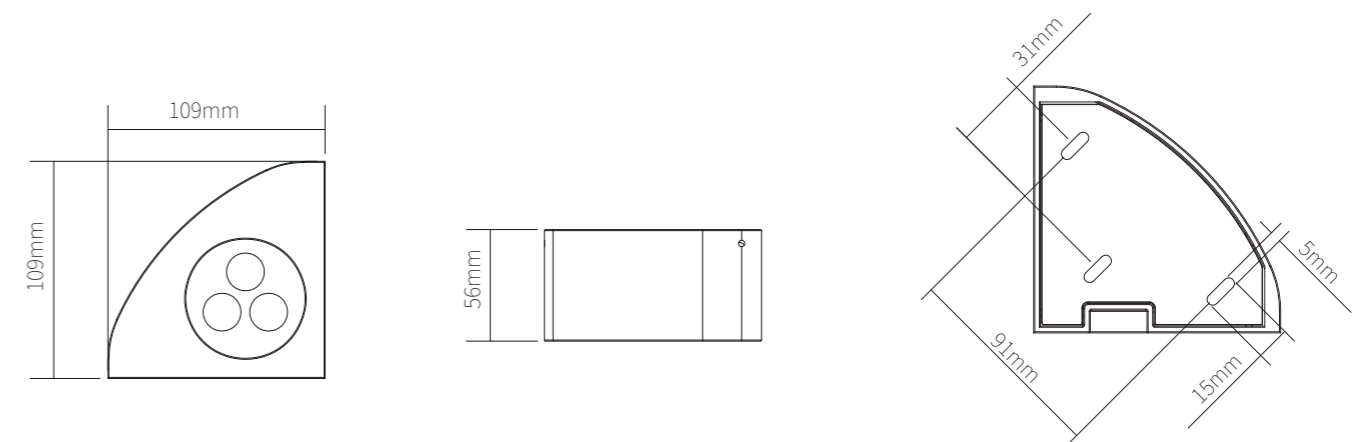
灯体材质: 高强度压铸铝灯体	Housing material: High-strength die-cast aluminium
超白钢化玻璃	Ultra-clear tempered glass
防水密封硅胶垫	Waterproof silicone gasket
表面处理: 表面金属粉质感喷涂	Surface Finish: Electrostatically applied polyester powder coat
安 装: 可调角度范围:不可调角度	Installation: Non-adjustable brackets
灯具禁止安装在低洼积水处	Luminaires are not allowed to be installed in low-lying water
线 材: ON/OFF: 500mm两芯1mm ² 护套线	Cable: ON/OFF : 500mm two-core 1mm ² sheathed cable (Power cable)
ON/OFF AC220V: 500mm三芯1mm ² 护套线	ON/OFF AC220V: 500mm three-core 0.75mm ² sheathed cable (Power cable)
DMX512: 500mm六芯2*0.75+4*0.3mm ² 护套线	DMX512 : 500mm six-core 2*0.75+4*0.3mm ² sheathed cable (Power and signal in a cable)

产品特性/FEATURES&BENEFITS

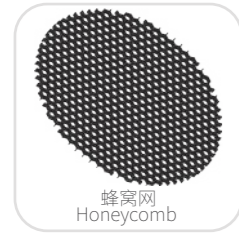
造型小巧精致, 简易的安装方式, 完美融入安装场景	Simple and tiny design, easy to install, perfect into the installation scene
宽电压输入方案: 精密的方案设计, 高效输出, 响应节能战略	Wide Voltage Input: Precise electronic scheme, powerful reach and energy-saving
支持多种数据传输协议DMX512	Support a variety of data transmission protocol :DMX512
多位处理技术: 支持亮度调节, 内置亮灯模式设置, 自动编码	Multi-bit processing technology: Support brightness adjustment, built-in lighting mode setting, automatic coding



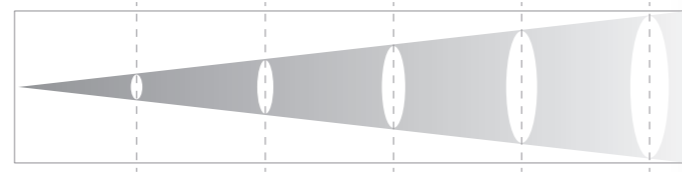
尺寸/DIMENSIONS



EVO 配件/EVO ACCESSORIES



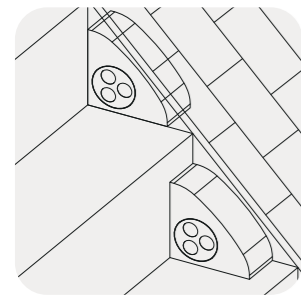
光学数据/OPTICAL DATA



功率/Power 9W

距离 m	1	4	6	8	10
8° 照度 lux	10177.97	636.12	282.72	159.03	101.78
光圈直径 m	0.15	0.60	0.91	1.21	1.51
距离 m	1	4	6	8	10
10° 照度 lux	4601.74	287.61	127.83	71.90	46.02
光圈直径 m	0.21	0.83	1.25	1.67	2.08
距离 m	1	2	3	4	5
13° 照度 lux	3387.14	846.79	376.35	211.70	135.49
光圈直径 m	0.22	0.44	0.65	0.87	1.09
距离 m	1	2	3	4	5
20° 照度 lux	1597.58	399.40	177.51	99.85	63.90
光圈直径 m	0.41	0.82	1.22	1.63	2.04
距离 m	1	2	3	4	5
40° 照度 lux	559.90	139.98	62.21	34.99	22.40
光圈直径 m	0.78	1.56	2.34	3.12	3.91
距离 m	1	2	3	4	5
45° 照度 lux	553.17	138.29	61.46	34.57	22.13
光圈直径 m	0.85	1.70	2.56	3.41	4.26

安装示意图/INSTALLATION DIAGRAM

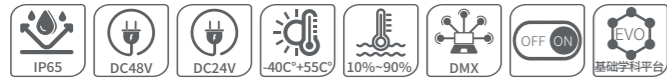
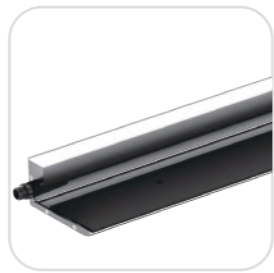


型号信息/MODEL INFORMATION

产品型号 Model	尺寸 Size	功率 Power(Pcs)	电压 Voltage	色温 Color Temperature	角度 Beam Angles	控制协议 Control	芯片品牌 ChipsBrand
KMTJ-TB2.0PZ-3A	109*109*56mm	9W(3pcs)	DC24V DC48V AC220V	2200K-6500K	8°、10°、13°、15°、20°、25°、40°、45°	ON/OFF	CREE OSRAM EPISTAR LUMILEDS SANAN
KMTJ-TB2.0PZ-3A/B		9W(3pcs)		2200K-6500K 1800K-3000K+4000K-6500K			
KMTJ-TB2.0PZ-3C		9W(3pcs)	DC24V DC48V	RGB	15°、25°、40°、50°	DMX512	
KMTJ-TB2.0PZ-3D		12W(3pcs)		RGBW			

LED 台阶灯 LED STEP LAMP

KMTJ-GY 1.0
光影 1.0



技术参数/PARAMETERS

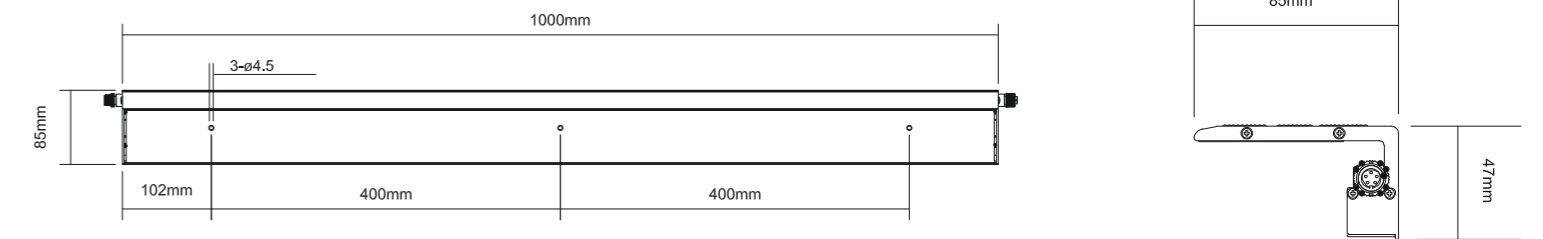
灯体材质:	6063航空拉伸铝灯体	Housing material:	6063 aviation aluminium
	压铸铝堵头		Die-cast aluminium end-cap
	灯体踏板分离结构		Light body pedal separation structure
表面处理:	表面金属粉漆质感喷涂	Surface Finish:	Electrostatically applied polyester powder coat
安 装:	可调角度范围:不可调角度	Installation:	Non-adjustable brackets
	灯具禁止安装在低洼积水处		Luminaires are not allowed to be installed in low-lying water
线 材:	ON/OFF : 100mm两芯2*1mm ² 电源防水接头线	Cable:	ON/OFF : 100mm two-core 1mm ² (Power cable)
	DMX512: 100mm五芯2*1+3*0.3mm ² 电源+信号防水接头线		DMX512 : 100mm five-core 2*1+3*0.3mm ² (Power and signal in a cable)

产品特性/FEATURES&BENEFITS

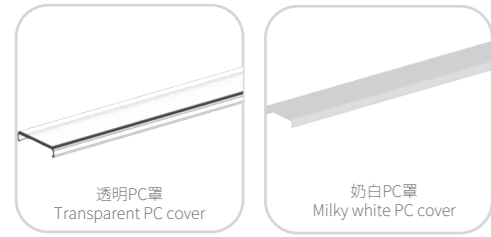
造型小巧精致, 防滑防盗设计, 简易的安装方式, 完美融入安装场景	Simple and tiny design, anti-slip and anti-theft design, easy to install, perfect into the installation scene
宽电压输入方案: 精密的方案设计, 高效输出, 响应节能战略	Wide Voltage Input: Precise electronic scheme, powerful reach and energy-saving.
支持多种数据传输协议DMX512	Support a variety of data transmission protocol :DMX512
多位处理技术: 支持亮度调节, 内置亮灯模式设置, 自动编码	Multi-bit processing technology: Support brightness adjustment, built-in lighting mode setting, automatic coding



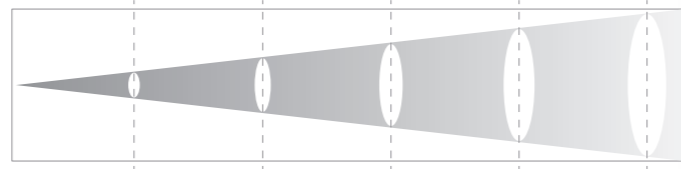
尺寸/DIMENSIONS



EVO 配件/EVO ACCESSORIES



光学数据/OPTICAL DATA



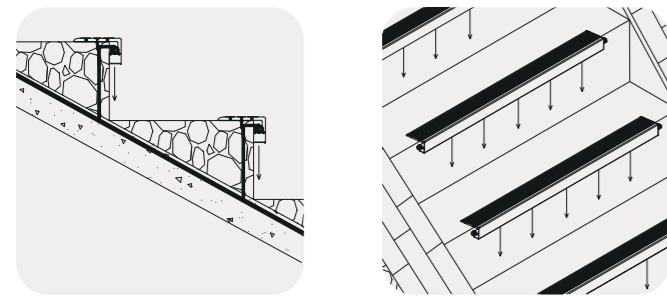
功率/Power 12W

距离 m	0.5	1	1.5	2	2.5
120° 照度 lux	297.32	74.33	33.04	18.58	11.89
光斑直径 m	1.93	3.86	5.78	7.71	9.64

型号信息/MODEL INFORMATION

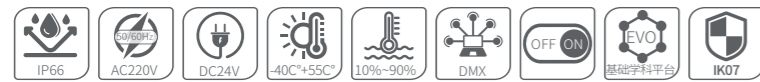
产品型号 Model	尺寸 Size	功率 Power(Pcs)	电压 Voltage	色温 Color Temperature	角度 Beam Angles	控制协议 Control	芯片品牌 Chips Brand
KMTJ -GY1.0 -PZ -60A	85*47*1000mm	12W(60pcs)	DC24V DC48V	2200K-6500K	120°	ON/OFF	CREE OSRAM EPISTAR LUMILEDS SANAN
KMTJ -GY1.0 -PZ -60A/B		12W(60pcs)		2200K-6500K 1800K-3000K+4000K -6500K		DMX512	
KMTJ -GY1.0 -PZ -60C		12W(60pcs)		RGB			
KMTJ -GY1.0 -PZ -60D		15W(60pcs)		RGBW			

安装示意图/INSTALLATION DIAGRAM



LED步道灯 LED PATH LUMINAIRE

KMGD-JC 1.0
京瓷 1.0



技术参数/PARAMETERS

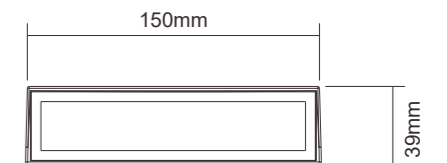
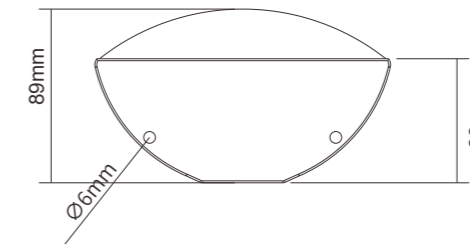
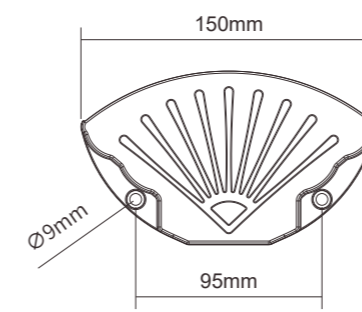
灯体材质: 高强度压铸铝灯体	Housing material: High-strength die-cast aluminum
超白钢化玻璃	Ultra-clear tempered glass
防水密封硅胶垫	Waterproof silicone gasket
表面处理: 表面金属粉漆质感喷涂	Surface Finish: Electrostatically applied polyester powder coat
安 装: 可调角度范围:不可调角度	Installation: Non-adjustable brackets
灯具禁止安装在低洼积水处	Luminaires are not allowed to be installed in low-lying water
线 材: ON/OFF:500mm两芯1mm ² 止水线	Cable: ON/OFF:500mm two-core 1mm ² anti-siphon cable (Power cable)
ON/OFF AC220V:500mm三芯1mm ² 止水线	ON/OFF AC220V:500mm three-core 1mm ² anti-siphon cable (Power cable)
DMX512:500mm五芯2*1+3*0.3mm ² 电源+信号防水接头线	DMX512:500mm five-core 2*1+3*0.3mm ² cable(Power and signal in a cable)

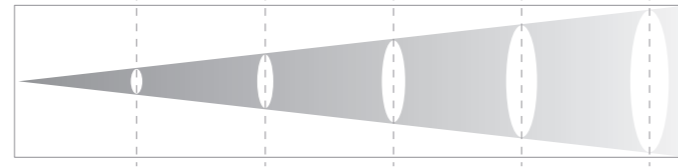
产品特性/FEATURES&BENEFITS

造型灵感来源青花瓷,小巧精致,完美融入安装场景	The design inspiration comes from blue and white porcelain ,perfect into the installation scene
宽电压输入方案:精密的方案设计,高效输出,响应节能战略	Wide Voltage Input:Precise electronic scheme, powerful reach and energy-saving,
支持多种数据传输协议DMX512	Support a variety of data transmission protocol:DMX512
多位处理技术:支持亮度调节,内置亮灯模式设置,自动编码	Multi-bit processing technology: Support brightness adjustment, built-in lighting mode setting, automatic coding



尺寸/DIMENSIONS

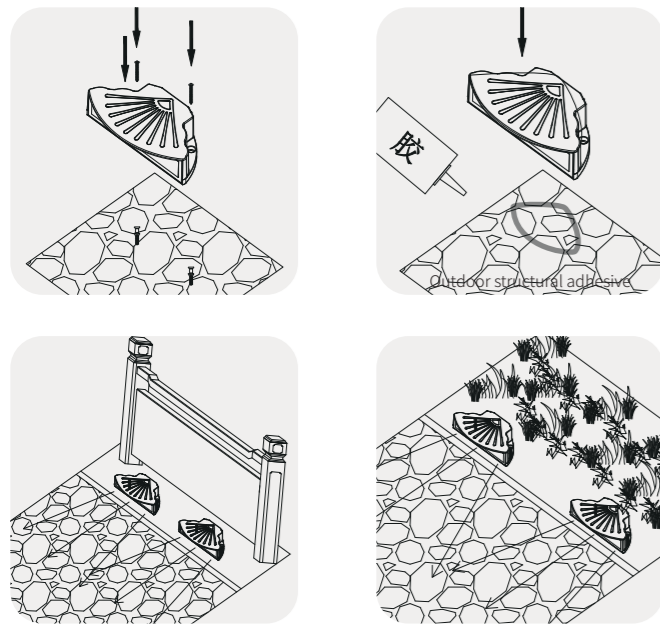




功率/Power 3W

距离 m	1	2	3	4	5	
10°	照度 lux	1489.75	372.44	165.53	93.11	59.59
	光斑直径 m	0.20	0.39	0.59	0.78	0.98
15°	照度 lux	1456.57	364.14	161.84	91.04	58.26
	光斑直径 m	0.23	0.46	0.69	0.92	1.15
25°	照度 lux	583.05	145.76	64.78	36.44	23.32
	光斑直径 m	0.43	0.85	1.28	1.71	2.13
30°	照度 lux	344.01	86.00	38.22	21.50	13.76
	光斑直径 m	0.54	1.07	1.61	2.15	2.69
40°	照度 lux	281.38	70.35	31.26	17.59	11.26
	光斑直径 m	0.61	1.21	1.82	2.43	3.03
60°	照度 lux	115.60	28.90	12.84	7.23	4.62
	光斑直径 m	1.21	2.42	3.63	4.84	6.06

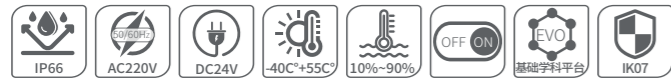
安装示意图/INSTALLATION DIAGRAM



产品型号 Model	尺寸 Size	功率 Power(Pcs)	电压 Voltage	色温 Color Temperature	角度 Beam Angles	控制协议 Control	芯片品牌 Chips Brand
KMGD -JC1.0 -PZ-1A	150*89*39 mm	3W (1PCS)	AC220V DC24V	2200K -6500K	10°、15°、25°、30°、 40°、60°	ON/OFF	CREE OSRAM EPISTAR LUMILEDS SANAN
KMGD -JC1.0 -PZ-2A/B		6W (2PCS)	DC24V	2200K -6500K 1800K -3000K+4000K -6500K			
KMGD -JC1.0 -PZ-2C		6W (2PCS)	DC24V	RGB	15°、25°、45°、60°	DMX512	
KMGD -JC1.0 -PZ-2D		6W (2PCS)	DC24V	RGBW			

LED步道灯 LED PATH LUMINAIRE

KMGD-JGZ 1.0
金龟子 1.0



技术参数/PARAMETERS

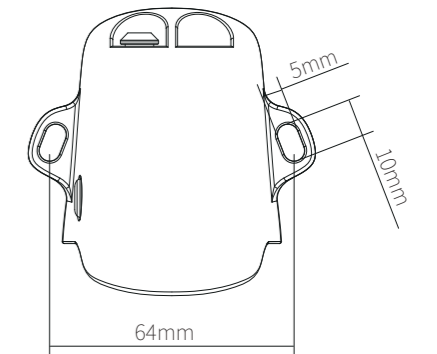
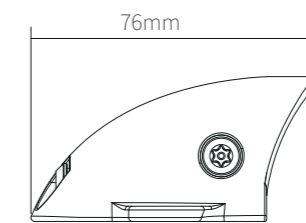
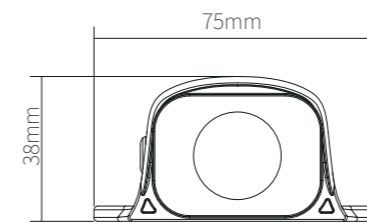
灯体材质: 高强度压铸铝灯体	Housing material: High-strength die-cast aluminum
超白钢化玻璃	Ultra-clear tempered glass
防水密封硅胶垫	Waterproof silicone gasket
表面处理: 表面金属粉质感喷涂	Surface Finish: Electrostatically applied polyester powder coat
安 装: 可调角度范围: 不可调角度	Installation: Non-adjustable brackets
灯具禁止安装在低洼积水处	Luminaires are not allowed to be installed in low-lying water
线 材: ON/OFF: 500mm两芯1mm ² 护套线	Cable: ON/OFF: 500mm two-core 1mm ² sheathed cable (Power cable)
ON/OFF AC220V: 500mm三芯1mm ² 护套线	ON/OFF AC220V: 500mm three-core 1mm ² sheathed cable (Power cable)

产品特性/FEATURES&BENEFITS

造型灵感来源金龟子, 小巧精致, 完美融入安装场景	The design inspiration comes from May beetle ,perfect into the installation scene
宽电压输入方案: 精密的方案设计, 高效输出, 响应节能战略	Wide Voltage Input: Precise electronic scheme, powerful reach and energy-saving
仿生配件, 融入环境, 选装防眩配件	Bionic accessories, integrated into the environment, optional anti glare accessories



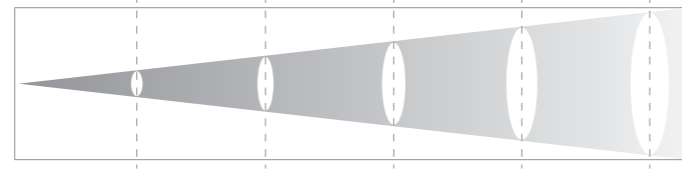
尺寸/DIMENSIONS



EVO 配件/EVO ACCESSORIES



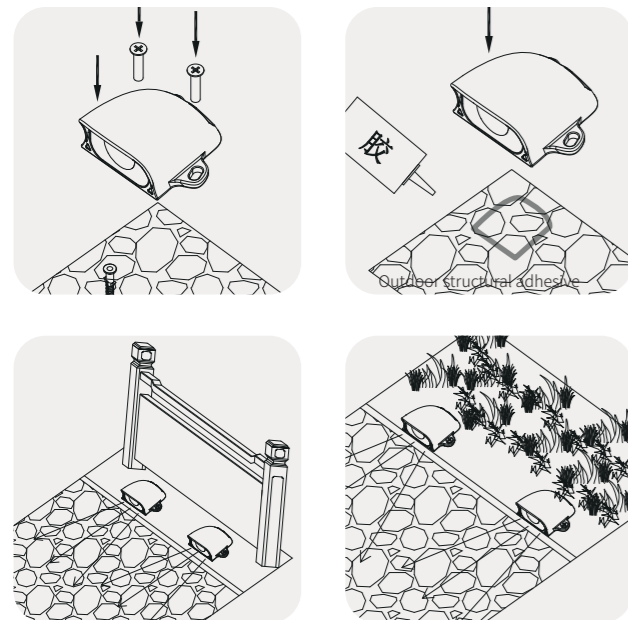
光学数据/OPTICAL DATA



功率/Power 3W

	距离 m	1	1.5	2	2.5	3
15°	照度 lux	1998.35	888.16	499.59	319.74	222.04
	光圈直径 m	0.24	0.36	0.48	0.59	0.71
25°	照度 lux	795.64	353.62	198.91	127.30	88.40
	光圈直径 m	0.39	0.59	0.79	0.98	1.18
30°	照度 lux	436.32	193.92	109.08	69.81	48.48
	光圈直径 m	0.53	0.79	1.05	1.32	1.58
40°	照度 lux	324.46	144.20	81.12	51.91	36.05
	光圈直径 m	0.62	0.94	1.25	1.56	1.87
60°	照度 lux	149.03	66.24	37.26	23.84	16.56
	光圈直径 m	1.13	1.69	2.25	2.82	3.38

安装示意图/INSTALLATION DIAGRAM

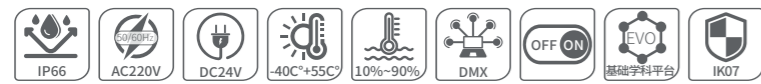


型号信息/MODEL INFORMATION

产品型号 Model	尺寸 Size	功率 Power(Pcs)	电压 Voltage	色温 Color Temperature	角度 Beam Angles	控制协议 Control	芯片品牌 Chips Brand
KMGD-JGZ1.0-PZ-1A	75*38*76mm	3W(1PCS)	AC220V DC24V	2200K-6500K	15°、25°、30°、40°、60°	ON/OFF	CREE OSRAM EPISTAR LUMILEDS SANAN

LED步道灯 LED PATH LUMINAIRE

KMGD-MD1.0
明道 1.0



技术参数/PARAMETERS

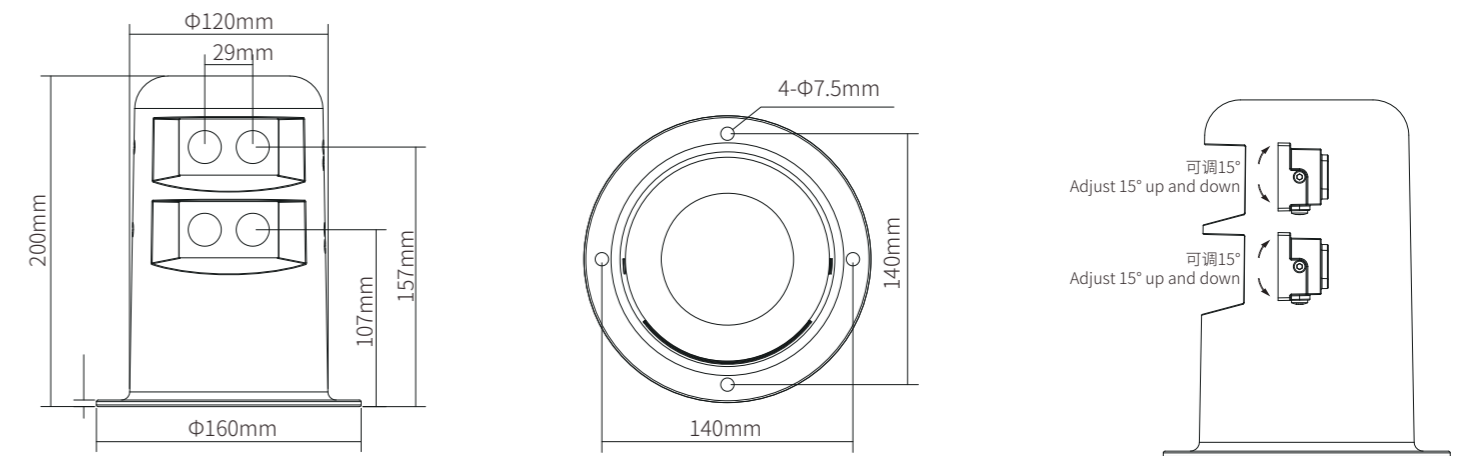
灯体材质: 高强度压铸铝灯体	Housing material: High-strength die-cast aluminum
超白钢化玻璃	Ultra-clear tempered glass
双层出光设计	Double layer light output design
表面处理: 表面金属粉漆质感喷涂	Surface Finish: Electrostatically applied polyester powder coat
安 装: 可调角度范围:不可调角度	Installation: Non-adjustable brackets
灯具禁止安装在低洼积水处	Luminaires are not allowed to be installed in low-lying water
线 材: ON/OFF: 500mm两芯1mm ² 护套线	Cable: ON/OFF: 500mm two-core 1mm ² sheathed cable (Power cable)
ON/OFF AC220V: 500mm三芯1mm ² 护套线	ON/OFF AC220V: 500mm three-core 1mm ² sheathed cable (Power cable)
DMX512: 500mm六芯2*0.75+4*0.3mm ² 护套线	DMX512: 500mm six-core 2*0.75+4*0.3mm ² sheathed cable (Power cable)
DMX512: 500mm五芯2*1+3*0.3mm ² 电源+信号防水接头线	DMX512: 500mm five-core 2*1+3*0.3mm ² (Power and signal in a cable)

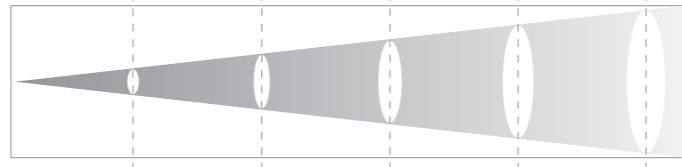
产品特性/FEATURES&BENEFITS

拥有自主知识产权的原创设计, 独特的双层外观造型, 完美融入安装场景	Original design with independent intellectual property rights, unique double-layer appearance, perfect into the installation scene
双层角度可调, 适应多种安装环境	Double-layer Angle adjustable, suitable for a variety of installation environment
宽电压输入方案: 精密的方案设计, 高效输出, 响应节能战略	Wide Voltage Input: Precise electronic scheme, powerful reach and energy-saving.
支持多种数据传输协议DMX512	Support a variety of data transmission protocol :DMX512
多位处理技术: 支持亮度调节, 内置亮灯模式设置, 自动编码	Multi-bit processing technology: Support brightness adjustment, built-in lighting mode setting, automatic coding



尺寸/DIMENSIONS

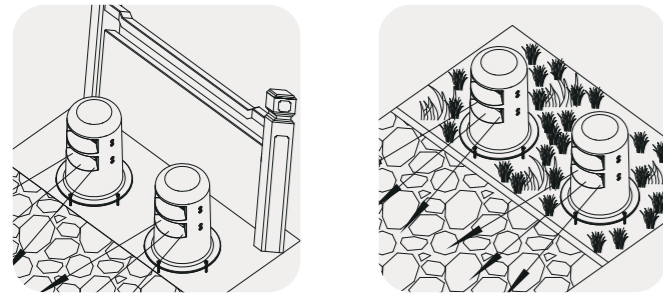




功率/Power 4W

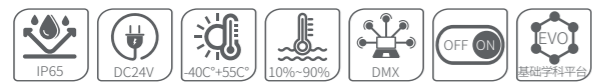
距离 m	1	2	3	4	5	
25°40°	照度 lux	791.55	197.89	87.95	49.47	31.66
	光圈直径 m	0.44	0.87	1.31	1.74	2.18
15°	照度 lux	2205.11	551.28	245.01	137.82	88.20
	光圈直径 m	0.24	0.48	0.73	0.97	1.21
25°	照度 lux	1067.55	266.89	118.62	66.72	42.70
	光圈直径 m	0.45	0.91	1.36	1.82	2.27
30°	照度 lux	731.04	182.76	81.23	45.69	29.24
	光圈直径 m	0.56	1.11	1.67	2.22	2.78
40°	照度 lux	506.70	126.68	56.30	31.67	20.27
	光圈直径 m	0.71	1.42	2.13	2.84	3.55

产品型号 Model	尺寸 Size	功率 Power(Pcs)	电压 Voltage	色温 Color Temperature	角度 Beam Angles	控制协议 Control	芯片品牌 Chips Brand
KMGD-MD1.0-PZ-4A	Φ160*200mm	4W (4PCS)	AC220V DC24V	2200K-6500K	10°、15°、25°、30°、40°、60°	ON/OFF	CREE OSRAM EPISTAR LUMILEDS SANAN
KMGD-MD1.0-PZ-4A/B		6W (4PCS)	DC24V	2200K-6500K 1800K-3000K+4000K-6500K		DMX512	
KMGD-MD1.0-PZ-4C		6W (4PCS)	DC24V	RGB	15°、25°、45°、60°		
KMGD-MD1.0-PZ-4D		8W (4PCS)	DC24V	RGBW			



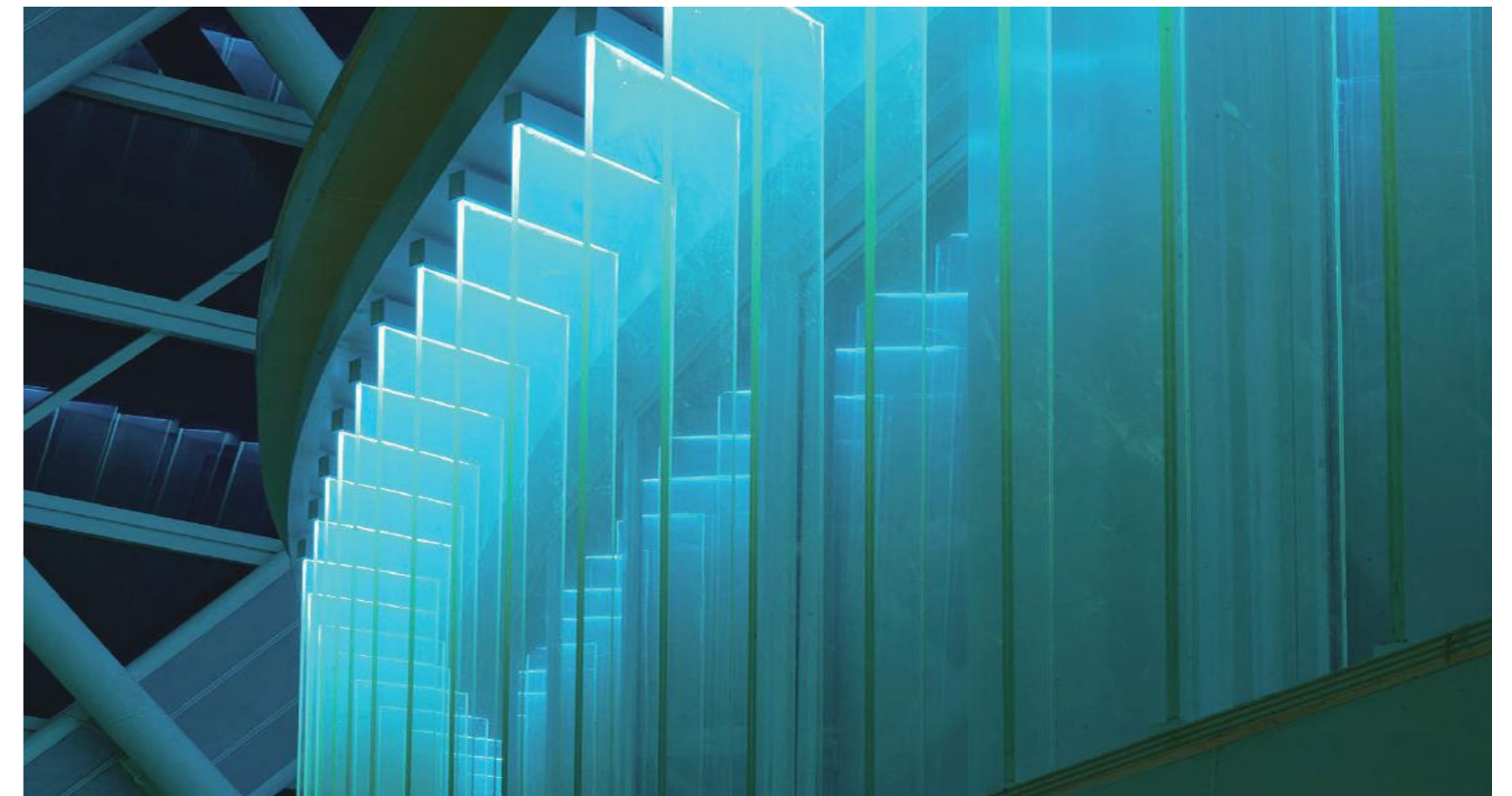
LED导光板灯 LED LIGHT GUIDE PLATE

KMGB-GL 1.0
 光丽 1.0

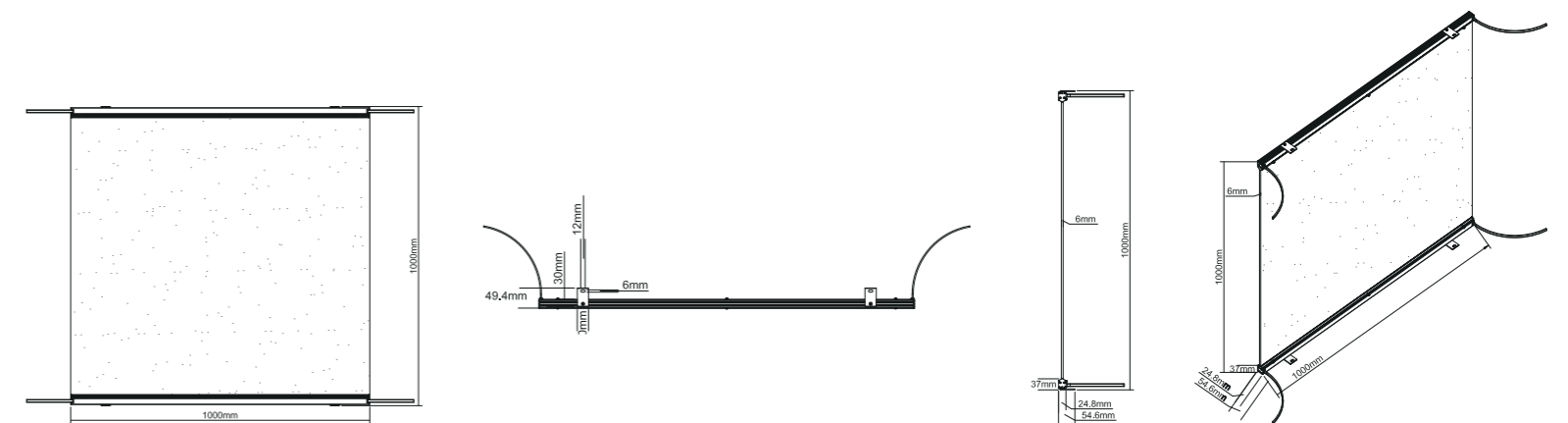


灯体材质: 扩散亚克力板 小巧线条灯	Housing material: Diffused acrylic sheet Compact line lamp
表面处理: 表面金属粉质感喷涂	Surface Finish: Electrostatically applied polyester powder coat
安装: 可调角度范围:不可调角度 灯具禁止安装在低洼积水处	Installation: Non-adjustable brackets Luminaires are not allowed to be installed in low-lying water
线材: ON/OFF : 100mm两芯2*1mm ² 电源防水接头线 DMX512: 100mm五芯2*1+3*0.3mm ² 电源+信号防水接头线	Cable: ON/OFF : 100mm two-core 1mm ² (Power cable) DMX512 : 500mm five-core 2*1+3*0.3mm ² (Power and signal in a cable)

出光均匀, 可定制图案, 可用于宣传当地文化特色或企业文化	The light is uniform, the pattern can be customized, and it can be used to promote local cultural characteristics or corporate culture
宽电压输入方案: 精密的方案设计, 高效输出, 响应节能战略	Wide Voltage Input: Precise electronic scheme, powerful reach and energy-saving
支持多种数据传输协议DMX512	Support a variety of data transmission protocol :DMX512
多位处理技术: 支持亮度调节, 内置亮灯模式设置, 自动编码	Multi-bit processing technology: Support brightness adjustment, built-in lighting mode setting, automatic coding

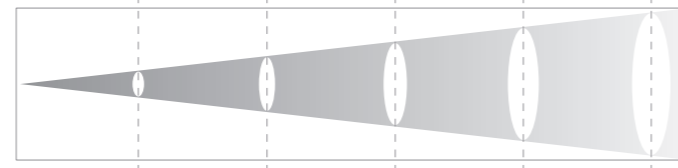


尺寸/DIMENSIONS



光学数据/OPTICAL DATA

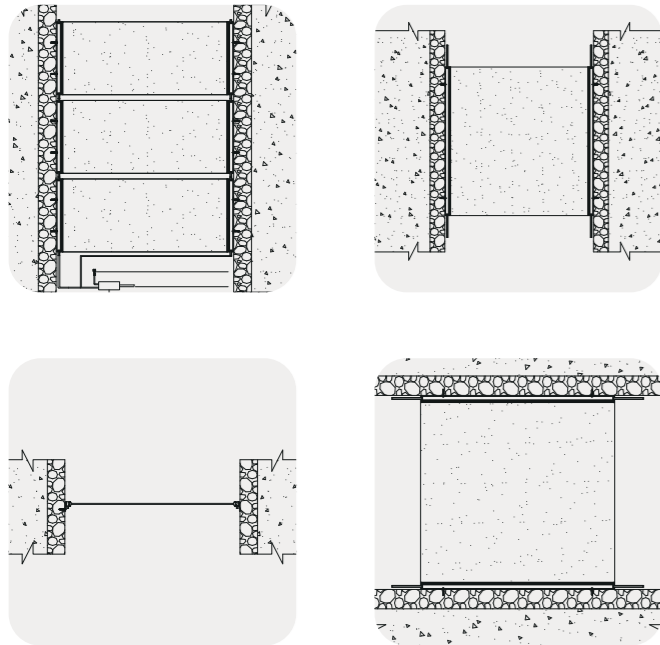
EVO 配件/EVO ACCESSORIES



功率/Power 12W

距离 m	0.5	1	1.5	2	2.5
120° 照度 lux	297.32	74.33	33.04	18.58	11.89
光圈直径 m	1.93	3.86	5.78	7.71	9.64

安装示意图/INSTALLATION DIAGRAM



型号信息/MODEL INFORMATION

产品型号 Model	尺寸 Size	功率 Power(Pcs)	电压 Voltage	色温 Color Temperature	角度 Beam Angle	控制协议 Control	芯片品牌 Chips Brand
KMDG -GL1.0 -PZ -60A	25*37*1000mm	12W(60pcs)	DC24V	2200K -6500K	120°	ON/OFF	CREE OSRAM EPISTAR LUMILEDS SANAN
KMDG -GL1.0 -PZ -60A/B		12W(60pcs)		2200K -6500K 1800K-3000K+4000K-6500K		DMX512	
KMDG -GL1.0 -PZ -60C		12W(60pcs)		RGB			
KMDG -GL1.0 -PZ -60D		15W(60pcs)		RGBW		ON/OFF	
KMDG -GL1.0 -PZ -120A		12W(60pcs)*2		2200K -6500K			
KMDG -GL1.0 -PZ -120A/B		12W(60pcs)*2		2200K -6500K 1800K-3000K+4000K-6500K		DMX512	
KMDG -GL1.0 -PZ -120C		12W(60pcs)*2		RGB			
KMDG -GL1.0 -PZ -120D		15W(60pcs)*2		RGBW			

LED 壁灯系列 LED WALL LAMPS

LED壁灯通常是安装在户外墙壁上,也有部分产品可以安装在户外的灯柱壁上。与室内壁灯相比,户外壁灯的防水性能更好,可以杜绝室外雨水对灯具的侵蚀,可以延长灯具使用寿命。一般具有以下优点,设计新颖、优雅独特、灯光柔和、大方实用、安装方便、装饰性强。

LED wall lamps are usually installed on outdoor walls, and some products can be installed on outdoor lamp post walls. Compared with the indoor wall lamp, the waterproof performance of the outdoor wall lamp is better, which can prevent the erosion of the outdoor rain on the lamp and extend the service life of the lamp. Generally has the following advantages: novel design, elegant and unique, soft lighting, generous and practical, easy installation, decorative strong.



LED 壁灯 LED WALL LAMPS

KMBD-TX 1.0
天星 1.0



技术参数/PARAMETERS

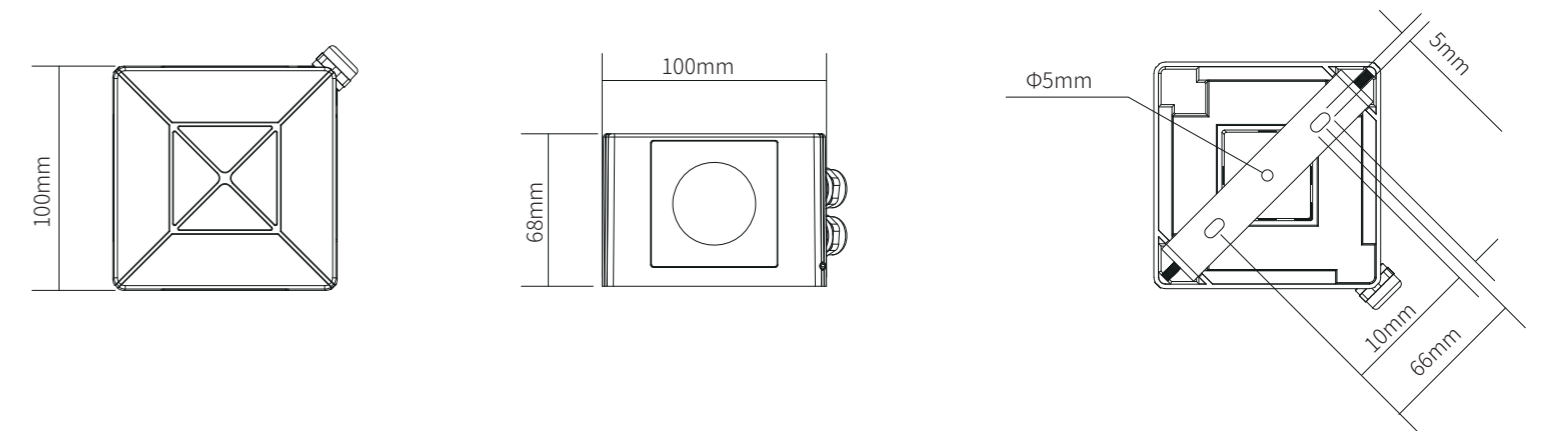
灯体材质: 高强度压铸铝灯体	Housing material: High-strength die-cast aluminum
超白钢化玻璃	Ultra-clear tempered glass
防水密封硅胶垫	Waterproof silicone gasket
表面处理: 表面金属粉漆质感喷涂	Surface Finish: Electrostatically applied polyester powder coat
安 装: 可调角度范围:不可调角度	Installation: Non-adjustable brackets
灯具禁止安装在低洼积水处	Luminaires are not allowed to be installed in low-lying water
线 材: ON/OFF :500mm两芯0.75mm ² 护套线	Cable: ON/OFF: 500mm two-core 0.75mm ² sheathed cable (Power cable)
ON/OFF AC220V:500mm三芯0.75mm ² 止水线	ON/OFF AC220V:500 three-core 0.75mm ² anti-siphon cable (Power cable)
DMX512:500mm六芯2*0.75+4*0.3mm ² 护套线	DMX512:500mm six-core 2*0.75+4*0.3mm ² sheathed cable (Power and signal in a cable)

产品特性/FEATURES&BENEFITS

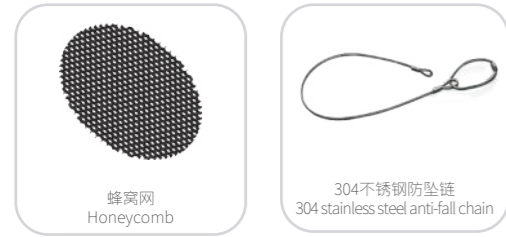
外观设计时尚, 出光效果好, 恰如其分点缀多种安装场景	Stylish design, good light effect, appropriately embellish a variety of installation scenes
宽电压输入方案: 精密的方案设计, 高效输出, 响应节能战略	Wide Voltage Input: Precise electronic scheme, powerful reach and energy-saving.
支持多种数据传输协议DMX512	Support a variety of data transmission protocol :DMX512
多位处理技术: 支持亮度调节, 内置亮灯模式设置, 自动编码	Multi-bit processing technology: Support brightness adjustment, built-in lighting mode setting, automatic coding



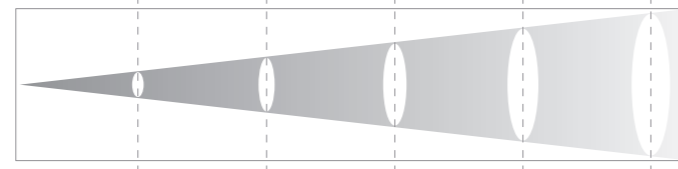
尺寸/DIMENSIONS



EVO 配件/EVO ACCESSORIES



光学数据/OPTICAL DATA



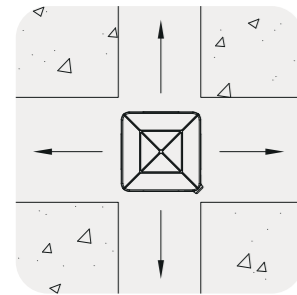
功率/Power 单向one-way 2W

距离m	1	1.5	2	2.5	3	
8°	照度lux	3412.74	1516.77	853.18	546.04	379.19
	光圈直径m	0.14	0.21	0.28	0.35	0.42
10°	照度lux	1398.68	621.63	349.67	223.79	155.41
	光圈直径m	0.20	0.30	0.41	0.51	0.61
13°	照度lux	1148.15	510.29	287.04	183.70	127.57
	光圈直径m	0.20	0.31	0.41	0.51	0.61
20°	照度lux	521.87	231.94	130.47	83.50	57.99
	光圈直径m	0.38	0.57	0.75	0.94	1.13
40°	照度lux	203.46	90.43	50.87	32.55	22.61
	光圈直径m	0.67	1.01	1.34	1.68	2.01
45°	照度lux	183.67	81.63	45.92	29.39	20.41
	光圈直径m	0.80	1.20	1.61	2.01	2.41

型号信息/MODEL INFORMATION

产品型号 Model	尺寸 Size	功率 Power(Pcs)	电压 Voltage	色温 Color Temperature	角度 Beam Angles	控制协议 Control	芯片品牌 Chips Brand
KMBD-TX1.0-PZ-4A	100*100*68mm	8W (4PCS)	AC220V DC24V	2700K-6500K	8°、10°、13°、15°、20°、25° 、40°、45°	ON/OFF	CREE OSRAM EPISTAR LUMILEDS SANAN
KMBD-TX1.0-PZ-4A/B		8W (4PCS)	DC24V	2200K-6500K 1800K-3000K+4000K-6500K			
KMBD-TX1.0-PZ-4C		6W (4PCS)	DC24V	RGB	15°、25°、45°、60°	DMX512	
KMBD-TX1.0-PZ-4D		12W (4PCS)	DC24V	RGBW			

安装示意图/INSTALLATION DIAGRAM



LED 壁灯 LED WALL LAMPS

KMBD-TX 2.0
天星 2.0

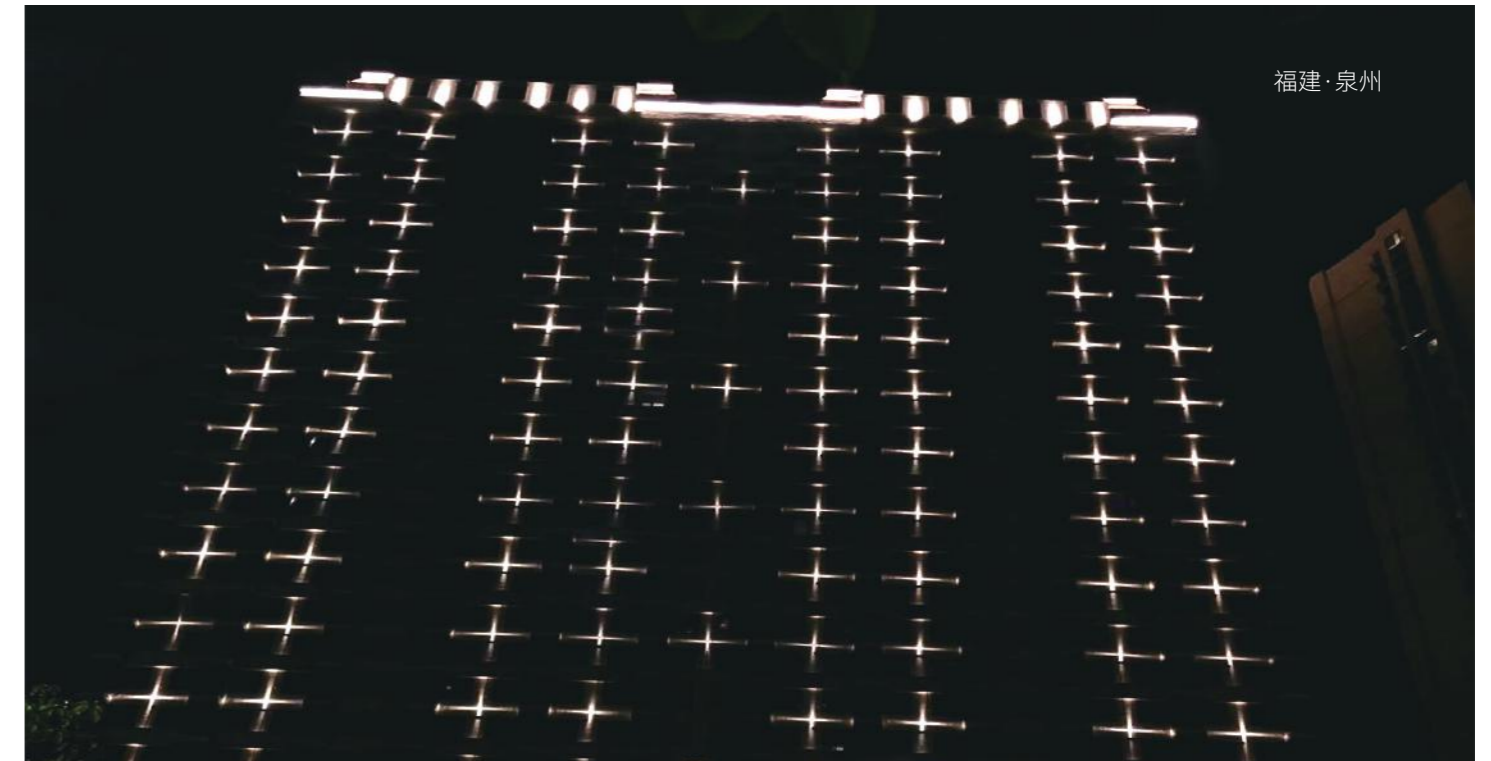


技术参数/PARAMETERS

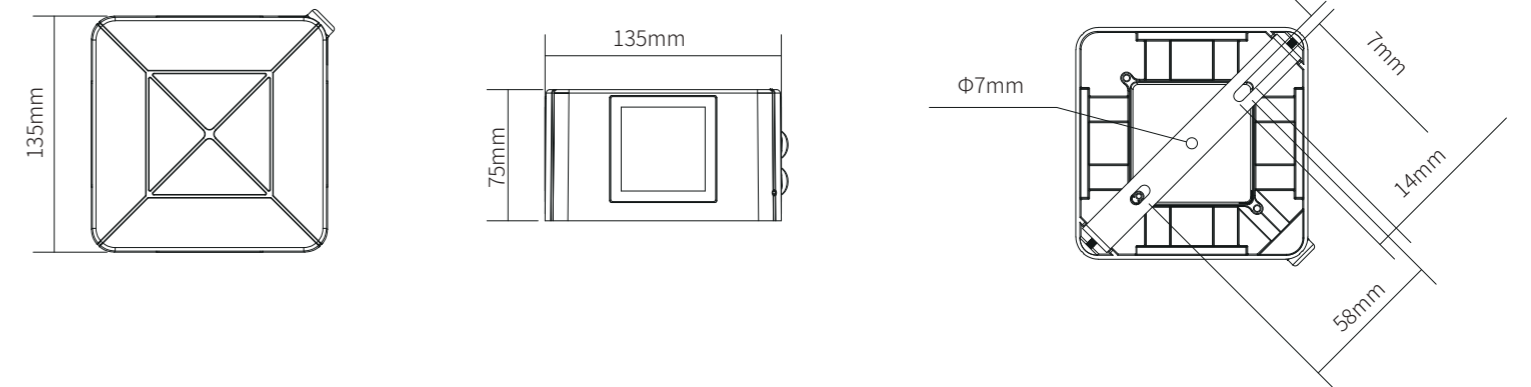
灯体材质: 高强度压铸铝灯体	Housing material: High-strength die-cast aluminum
超白钢化玻璃	Ultra-clear tempered glass
防水密封硅胶垫	Waterproof silicone gasket
表面处理: 表面金属粉质感喷涂	Surface Finish: Electrostatically applied polyester powder coat
安 装: 可调角度范围:不可调角度	Installation: Non-adjustable brackets
灯具禁止安装在低洼积水处	Luminaires are not allowed to be installed in low-lying water
线 材: ON/OFF :500mm两芯0.75mm ² 护套线	Cable: ON/OFF: 500mm two-core 0.75mm ² sheathed cable (Power cable)
ON/OFF AC220V:500mm三芯0.75mm ² 止水线	ON/OFF AC220V:500 three-core 0.75mm ² anti-siphon cable (Power cable)
DMX512:500mm六芯2*0.75+4*0.3mm ² 护套线	DMX512:500mm six-core 2*0.75+4*0.3mm ² sheathed cable (Power and signal in a cable)

产品特性/FEATURES&BENEFITS

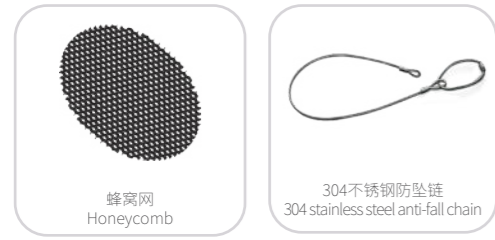
外观设计时尚, 出光效果好, 恰如其分点缀多种安装场景	Stylish design, good light effect, appropriately embellish a variety of installation scenes
宽电压输入方案: 精密的方案设计, 高效输出, 响应节能战略	Wide Voltage Input: Precise electronic scheme, powerful reach and energy-saving.
支持多种数据传输协议DMX512	Support a variety of data transmission protocol :DMX512
多位处理技术: 支持亮度调节, 内置亮灯模式设置, 自动编码	Multi-bit processing technology: Support brightness adjustment, built-in lighting mode setting, automatic coding



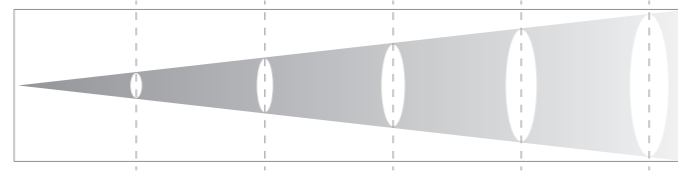
尺寸/DIMENSIONS



EVO 配件/EVO ACCESSORIES



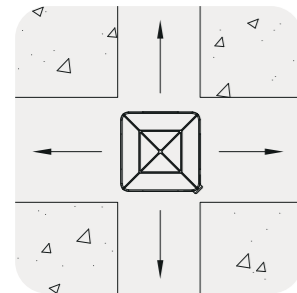
光学数据/OPTICAL DATA



功率/Power 单向One-way 6W

距离 m	1	4	6	8	10	
8°	照度 lux	9776.86	611.05	271.58	152.76	97.77
	光圈直径 m	0.14	0.55	0.82	1.09	1.36
10°	照度 lux	4102.64	1025.66	455.85	256.41	164.11
	光圈直径 m	0.21	0.41	0.62	0.83	1.03
13°	照度 lux	3353.69	838.42	372.63	209.61	134.15
	光圈直径 m	0.21	0.41	0.62	0.83	1.04
20°	照度 lux	1555.51	388.88	172.83	97.22	62.22
	光圈直径 m	0.38	0.75	1.13	1.51	1.88
40°	照度 lux	655.48	163.87	72.83	40.97	26.22
	光圈直径 m	0.61	1.22	1.82	2.43	3.04
45°	照度 lux	546.01	136.50	60.67	34.13	21.84
	光圈直径 m	0.81	1.63	2.44	3.26	4.07

安装示意图/INSTALLATION DIAGRAM



型号信息/MODEL INFORMATION

产品型号 Model	尺寸 Size	功率 Power(Pcs)	电压 Voltage	Color Temperature 色温	角度 Beam Angles	控制协议 Control	芯片品牌 Chips Brand
KMBD-TX2.0-PZ-16A	175*175*75mm	24W (16PCS)	AC220V DC24V	2700K-6500K	8°、10°、13°、15°、20°、 25°、40°、45°	ON/OFF	CREE OSRAM EPSTAR LUMILEDS SANAN
KMBD-TX2.0-PZ-16A/B		24W (16PCS)	DC24V	2200K-6500K 1800K- 3000K+4000K-6500K			
KMBD-TX2.0-PZ-16C		36W (16PCS)	DC24V	RGB	15°、25°、45°、60°	DMX512	
KMBD-TX2.0-PZ-16D		48W (16PCS)	DC24V	RGBW			

LED 壁灯 LED WALL LAMPS

KMBD-ZY 1.1
中原 1.1



技术参数/PARAMETERS

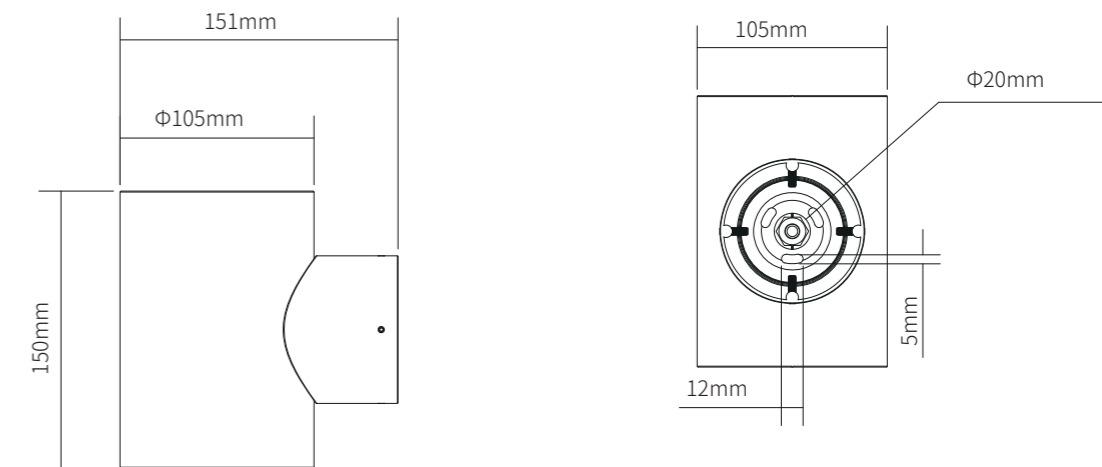
灯体材质: 高强度压铸铝灯体	Housing material: High-strength die-cast aluminum
超白钢化玻璃	Ultra-clear tempered glass
防水密封硅胶垫	Waterproof silicone gasket
表面处理: 表面金属漆质感喷涂	Surface Finish: Electrostatically applied polyester powder coat
安 装: 可调角度范围:不可调角度	Installation: Non-adjustable brackets
灯具禁止安装在低洼积水处	Luminaires are not allowed to be installed in low-lying water
线 材: ON/OFF :500mm两芯0.75mm ² 止水线	Cable: ON/OFF: 500mm two-core 0.75mm ² sheathed cable (Power cable)
ON/OFF AC220V:500mm三芯0.75mm ² 止水线	ON/OFF AC220V:500 three-core 0.75mm ² anti-siphon cable (Power cable)
DMX512:500mm六芯2*0.75+4*0.3mm ² 护套线	DMX512: 500mm six-core 2*0.75+4*0.3mm ² sheathed cable (Power and signal in a cable)
/五芯2*1+3*0.3mm ² 电源+信号	500mm five-core 2*1+3*0.3mm ² (Power and signal in a cable)

产品特性/FEATURES&BENEFITS

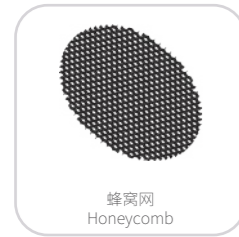
外观设计时尚, 出光效果好, 恰如其分点缀多种安装场景	Stylish design, good light effect, appropriately embellish a variety of installation scenes
宽电压输入方案: 精密的方案设计, 高效输出, 响应节能战略	Wide Voltage Input: Precise electronic scheme, powerful reach and energy-saving.
支持多种数据传输协议DMX512	Support a variety of data transmission protocol :DMX512
多位处理技术: 支持亮度调节, 内置亮灯模式设置, 自动编码	Multi-bit processing technology: Support brightness adjustment, built-in lighting mode setting, automatic coding



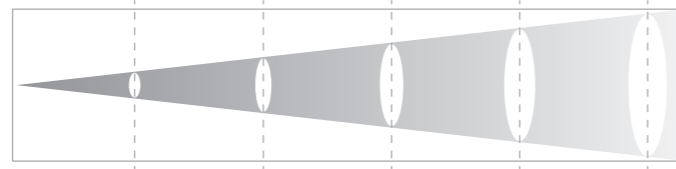
尺寸/DIMENSIONS



EVO 配件/EVO ACCESSORIES



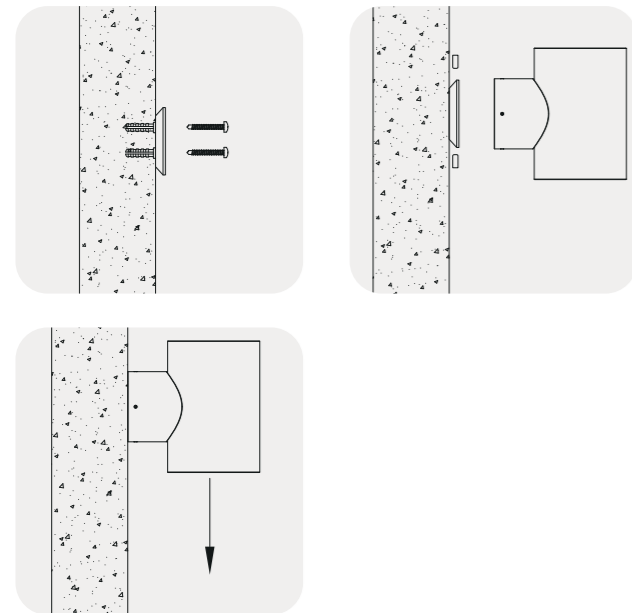
光学数据/OPTICAL DATA



功率/Power 12W

	距离 m	1	2	3	4	5
8°	照度 lux	17807.28	4451.82	1978.59	1112.96	712.29
	光圈直径 m	0.14	0.28	0.42	0.56	0.70
10°	照度 lux	8365.13	2091.28	929.46	522.82	334.61
	光圈直径 m	0.21	0.43	0.64	0.85	1.07
13°	照度 lux	5525.99	1381.50	614.00	345.37	221.04
	光圈直径 m	0.21	0.43	0.64	0.86	1.07
20°	照度 lux	2632.02	658.01	292.45	164.50	105.28
	光圈直径 m	0.40	0.79	1.19	1.59	1.99
40°	照度 lux	953.14	238.29	105.90	59.57	38.13
	光圈直径 m	0.73	1.46	2.19	2.92	3.65
45°	照度 lux	886.03	221.51	98.45	55.38	35.44
	光圈直径 m	0.84	1.69	2.53	3.38	4.22

安装示意图/INSTALLATION DIAGRAM

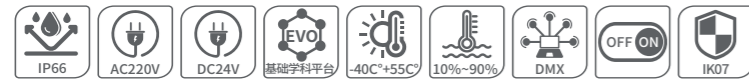
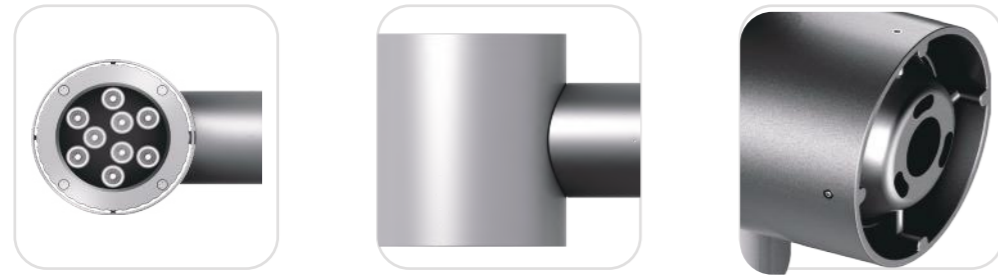


型号信息/MODEL INFORMATION

产品型号 Model	尺寸 Size	功率 Power(Pcs)	电压 Voltage	色温 Color Temperature	角度 Beam Angles	控制协议 Control	芯片品牌 Chips Brand
KMBD-ZY1.1-PZ-6A	105*150*155mm	12W (6PCS)	AC220V DC24V	2700K-6500K	8°、10°、13°、15°、20° 、25°、40°、45°	ON/OFF	CREE OSRAM EPISTAR LUMILEDS SANAN
KMBD-ZY1.1-PZ-6A/B		12W (6PCS)	DC24V	2200K-6500K 1800K-3000K+4000K-6500K			
KMBD-ZY1.1-PZ-6C		12W (6PCS)	DC24V	RGB	15°、25°、45°、60°	DMX512	
KMBD-ZY1.1-PZ-6D		12W (6PCS)	DC24V	RGBW			

LED 壁灯 LED WALL LAMPS

KMBD-ZY 2.1
中原 2.1



技术参数/PARAMETERS

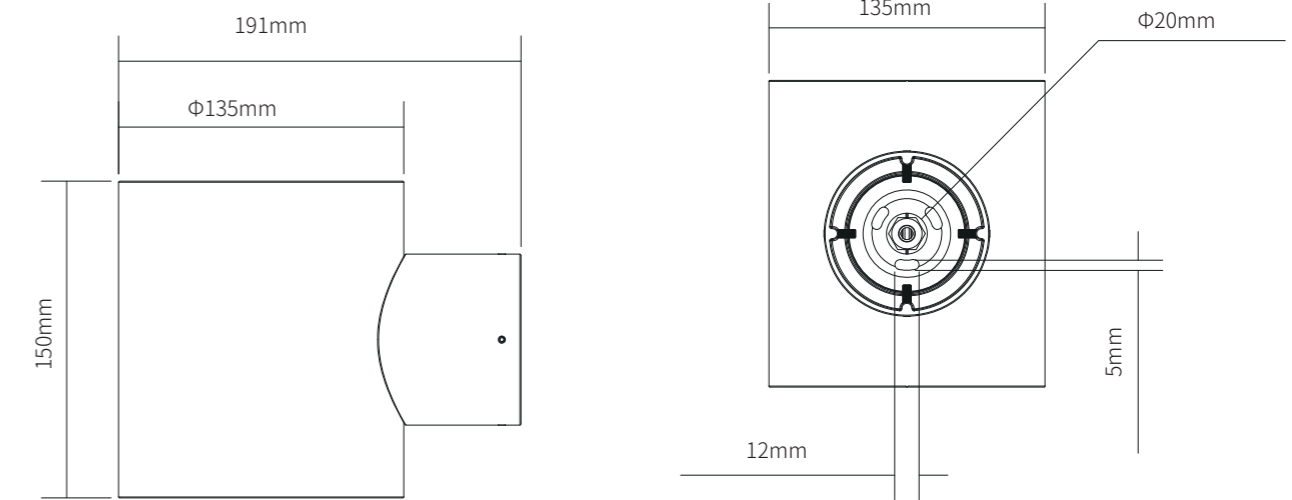
灯体材质: 高强度压铸铝灯体	Housing material: High-strength die-cast aluminum
超白钢化玻璃	Ultra-clear tempered glass
防水密封硅胶垫	Waterproof silicone gasket
表面处理: 表面金属粉漆质感喷涂	Surface Finish: Electrostatically applied polyester powder coat
安 装: 可调角度范围:不可调角度	Installation: Non-adjustable brackets
灯具禁止安装在低洼积水处	Luminaires are not allowed to be installed in low-lying water
线 材: ON/OFF :500mm两芯0.75mm ² 止水线	Cable: ON/OFF: 500mm two-core 0.75mm ² sheathed cable (Power cable)
ON/OFF AC220V:500mm三芯0.75mm ² 止水线	ON/OFF AC220V:500 three-core 0.75mm ² anti-siphon cable (Power cable)
DMX512:500mm六芯2*0.75+4*0.3mm ² 护套线	DMX512: 500mm six-core 2*0.75+4*0.3mm ² sheathed cable (Power and signal in a cable)
/五芯2*1+3*0.3mm ² 电源+信号	500mm five-core 2*1+3*0.3mm ² (Power and signal in a cable)

产品特性/FEATURES&BENEFITS

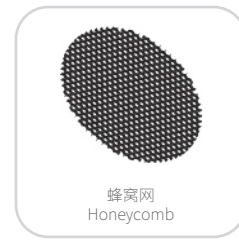
外观设计时尚, 出光效果好, 恰如其分点缀多种安装场景	Stylish design, good light effect, appropriately embellish a variety of installation scenes
宽电压输入方案: 精密的方案设计, 高效输出, 响应节能战略	Wide Voltage Input: Precise electronic scheme, powerful reach and energy-saving.
支持多种数据传输协议DMX512	Support a variety of data transmission protocol :DMX512
多位处理技术: 支持亮度调节, 内置亮灯模式设置, 自动编码	Multi-bit processing technology: Support brightness adjustment, built-in lighting mode setting, automatic coding



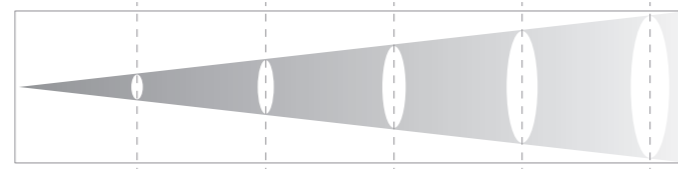
尺寸/DIMENSIONS



EVO 配件/EVO ACCESSORIES



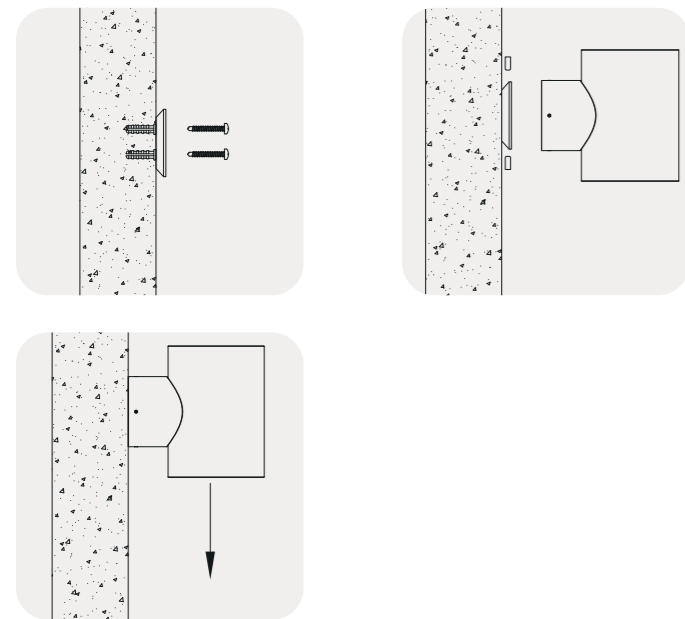
光学数据/OPTICAL DATA



功率/Power 18W

距离 m	1	2	3	4	5
8° 照度 lux	33809.24	8452.31	3756.58	2113.08	1352.37
光圈直径 m	0.16	0.32	0.48	0.65	0.81
距离 m	1	2	3	4	5
10° 照度 lux	16392.22	4098.06	1821.36	1024.51	655.69
光圈直径 m	0.21	0.43	0.64	0.85	1.07
距离 m	1	2	3	4	5
13° 照度 lux	12373.91	3093.48	1374.88	773.37	494.96
光圈直径 m	0.22	0.44	0.66	0.88	1.10
距离 m	1	2	3	4	5
20° 照度 lux	5737.78	1434.45	637.53	358.61	229.51
光圈直径 m	0.40	0.81	1.21	1.61	2.02
距离 m	1	2	3	4	5
40° 照度 lux	1964.74	491.19	218.30	122.80	78.59
光圈直径 m	0.79	1.58	2.36	3.15	3.94
距离 m	1	2	3	4	5
45° 照度 lux	1993.44	498.36	221.49	124.59	79.74
光圈直径 m	0.85	1.71	2.56	3.41	4.26

安装示意图/INSTALLATION DIAGRAM



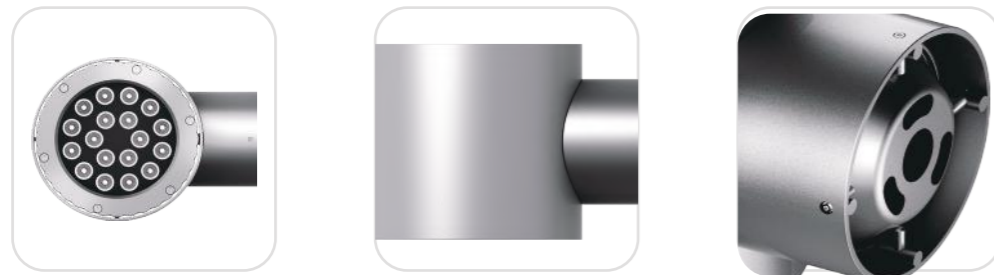
型号信息/MODEL INFORMATION

产品型号 Model	尺寸 Size	功率 Power(Pcs)	电压 Voltage	色温 Color Temperature	角度 Beam Angles	控制协议 Control	芯片品牌 Chips Brand
KMBD-ZY2.1-PZ-9A	135*150*185mm	18W (9PCS)	AC220V DC24V	2700K -6500K	8°、10°、13°、15°、 20°、25°、40°、45°	ON/OFF	CREE OSRAM EPISTAR LUMILEDS SANAN
KMBD-ZY2.1-PZ-9A/B		18W (9PCS)		2200K -6500K 1800K -3000K+4000K -6500K			
KMBD-ZY2.1-PZ-9C		18W (9PCS)		RGB	15°、25°、45°、60°		
KMBD-ZY2.1-PZ-9D		18W (9PCS)		RGBW		DMX512	

LED 壁灯 LED WALL LAMPS

KMBD-ZY 3.1

中原 3.1



技术参数/PARAMETERS

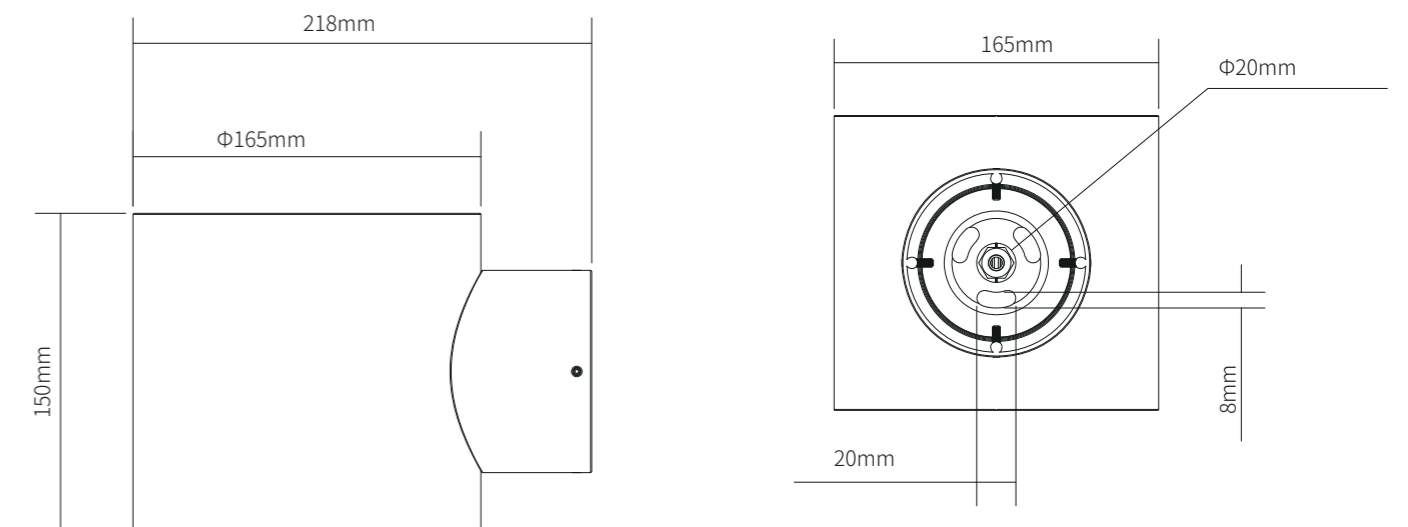
灯体材质: 高强度压铸铝灯体	Housing material: High-strength die-cast aluminum
超白钢化玻璃	Ultra-clear tempered glass
防水密封硅胶垫	Waterproof silicone gasket
表面处理: 表面金属漆质感喷涂	Surface Finish: Electrostatically applied polyester powder coat
安 装: 可调角度范围:不可调角度	Installation: Non-adjustable brackets
灯具禁止安装在低洼积水处	Luminaires are not allowed to be installed in low-lying water
线 材: ON/OFF :500mm两芯0.75mm ² 止水线	Cable: ON/OFF: 500mm two-core 0.75mm ² sheathed cable (Power cable)
ON/OFF AC220V:500mm三芯0.75mm ² 止水线	ON/OFF AC220V:500 three-core 0.75mm ² anti-siphon cable (Power cable)
DMX512:500mm六芯2*0.75+4*0.3mm ² 护套线	DMX512: 500mm six-core 2*0.75+4*0.3mm ² sheathed cable (Power and signal in a cable)
/五芯2*1+3*0.3mm ² 电源+信号	500mm five-core 2*1+3*0.3mm ² (Power and signal in a cable)

产品特性/FEATURES&BENEFITS

外观设计时尚, 出光效果好, 恰如其分点缀多种安装场景	Stylish design, good light effect, appropriately embellish a variety of installation scenes
宽电压输入方案: 精密的方案设计, 高效输出, 响应节能战略	Wide Voltage Input: Precise electronic scheme, powerful reach and energy-saving.
支持多种数据传输协议DMX512	Support a variety of data transmission protocol :DMX512
多位处理技术: 支持亮度调节, 内置亮灯模式设置, 自动编码	Multi-bit processing technology: Support brightness adjustment, built-in lighting mode setting, automatic coding



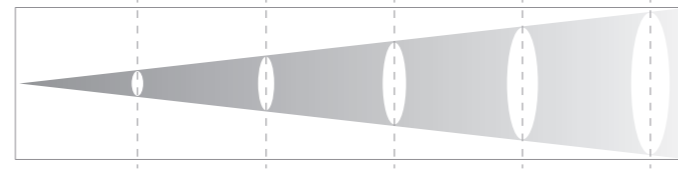
尺寸/DIMENSIONS



EVO 配件/EVO ACCESSORIES



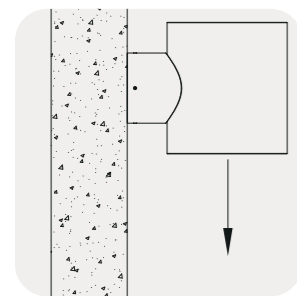
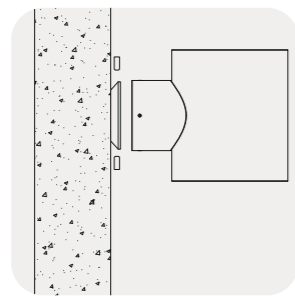
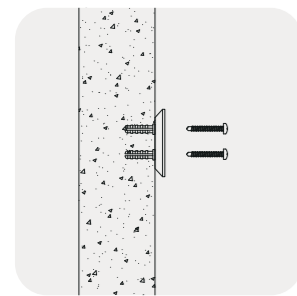
光学数据/OPTICAL DATA



功率/Power 24W

	距离 m	1	2	3	4	5
8°	照度 lux	46106.09	11526.52	5122.90	2881.63	1844.24
	光圈直径 m	0.16	0.32	0.48	0.65	0.81
10°	照度 lux	22502.01	5625.50	2500.22	1406.38	900.08
	光圈直径 m	0.21	0.43	0.64	0.85	1.07
13°	照度 lux	16941.40	4235.35	1882.38	1058.84	677.66
	光圈直径 m	0.22	0.44	0.66	0.88	1.10
20°	照度 lux	7856.28	1964.07	872.92	491.02	314.25
	光圈直径 m	0.40	0.81	1.21	1.61	2.02
40°	照度 lux	2697.40	674.35	299.71	168.59	107.90
	光圈直径 m	0.79	1.58	2.36	3.15	3.94
45°	照度 lux	2720.00	680.00	302.22	170.00	108.80
	光圈直径 m	0.85	1.71	2.56	3.41	4.26

安装示意图/INSTALLATION DIAGRAM



型号信息/MODEL INFORMATION

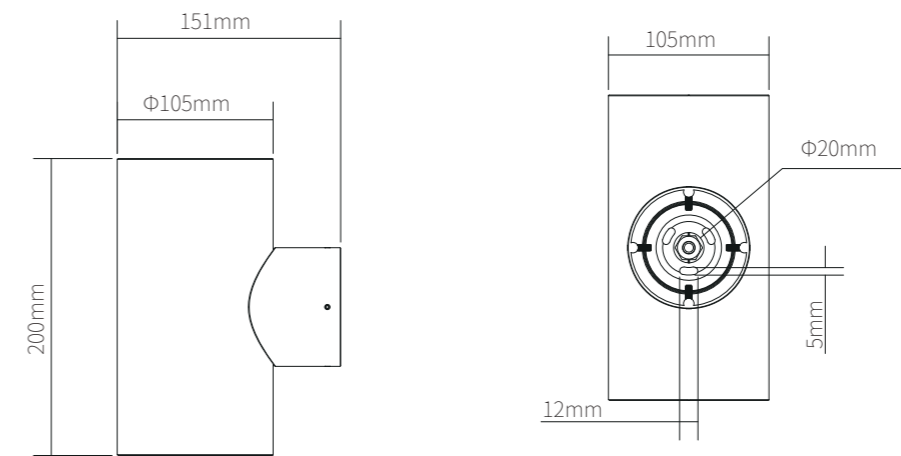
产品型号 Model	尺寸 Size	功率 Power(Pcs)	电压 Voltage	色温 Color Temperature	角度 Beam Angles	控制协议 Control	芯片品牌 Chips Brand
KMBD-ZY3.1-PZ-12A	165*150*215mm	24W (12PCS)	AC220V DC24V	2700K-6500K	8°、10°、13°、15°、20°、 25°、40°、45°	ON/OFF	CREE OSRAM EPISTAR LUMILEDS SANAN
KMBD-ZY3.1-PZ-12A/B		24W (12PCS)		2200K-6500K 1800K-3000K+4000K-6500K			
KMBD-ZY3.1-PZ-12C		24W (12PCS)		RGB	15°、25°、45°、60°	DMX512	
KMBD-ZY3.1-PZ-12D		24W (12PCS)		RGBW			

LED 壁灯 LED WALL LAMPS

KMBD-ZY 1.2
中原 1.2



尺寸/DIMENSIONS



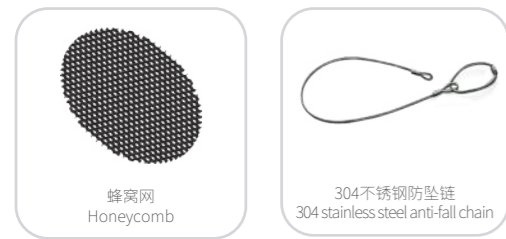
技术参数/PARAMETERS

灯体材质:	高强度压铸铝灯体	Housing material:	High-strength die-cast aluminum
	超白钢化玻璃		Ultra-clear tempered glass
	防水密封胶垫		Waterproof silicone gasket
表面处理:	表面金属漆质感喷涂	Surface Finish:	Electrostatically applied polyester powder coat
安 装:	可调角度范围:不可调角度	Installation:	Non-adjustable brackets
	灯具禁止安装在低洼积水处		Luminaires are not allowed to be installed in low-lying water
线 材:	ON/OFF :500mm两芯0.75mm ² 止水线	Cable:	ON/OFF: 500mm two-core 0.75mm ² sheathed cable (Power cable)
	ON/OFF AC220V:500mm三芯0.75mm ² 止水线		ON/OFF AC220V:500 three-core 0.75mm ² anti-siphon cable (Power cable)
	DMX512:500mm六芯2*0.75+4*0.3mm ² 护套线 /五芯2*1+3*0.3mm ² 电源+信号		DMX512: 500mm six-core 2*0.75+4*0.3mm ² sheathed cable (Power and signal in a cable) 500mm five-core 2*1+3*0.3mm ² (Power and signal in a cable)

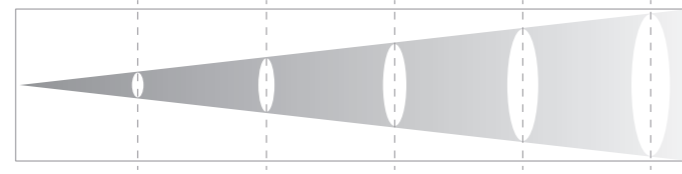
产品特性/FEATURES&BENEFITS

外观设计时尚, 出光效果好, 恰如其分点缀多种安装场景	Stylish design, good light effect, appropriately embellish a variety of installation scenes
宽电压输入方案: 精密的方案设计, 高效输出, 响应节能战略	Wide Voltage Input: Precise electronic scheme, powerful reach and energy-saving.
支持多种数据传输协议DMX512	Support a variety of data transmission protocol :DMX512
多位处理技术: 支持亮度调节, 内置亮灯模式设置, 自动编码	Multi-bit processing technology: Support brightness adjustment, built-in lighting mode setting, automatic coding

EVO 配件/EVO ACCESSORIES



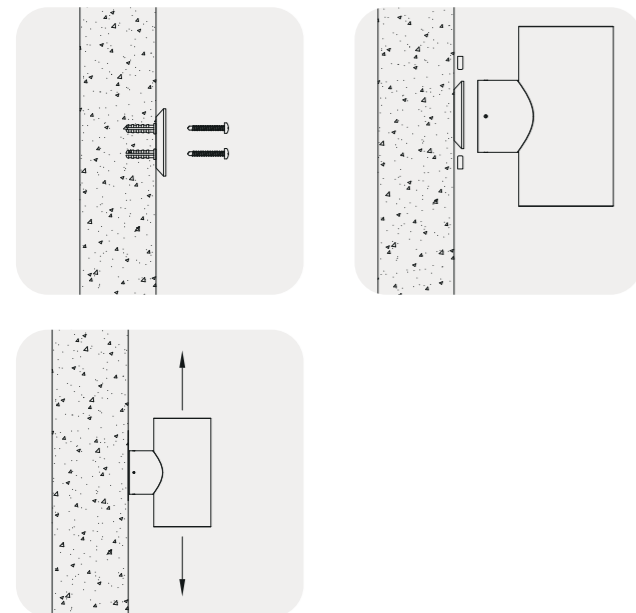
光学数据/OPTICAL DATA



功率/Power 单向one-way 12W

	距离 m	1	2	3	4	5
8°	照度 lux	17807.28	4451.82	1978.59	1112.96	712.29
	光圈直径m	0.14	0.28	0.42	0.56	0.70
10°	照度 lux	8365.13	2091.28	929.46	522.82	334.61
	光圈直径m	0.21	0.43	0.64	0.85	1.07
13°	照度 lux	5525.99	1381.50	614.00	345.37	221.04
	光圈直径m	0.21	0.43	0.64	0.86	1.07
20°	照度 lux	2632.02	658.01	292.45	164.50	105.28
	光圈直径m	0.40	0.79	1.19	1.59	1.99
40°	照度 lux	953.14	238.29	105.90	59.57	38.13
	光圈直径m	0.73	1.46	2.19	2.92	3.65
45°	照度 lux	886.03	221.51	98.45	55.38	35.44
	光圈直径m	0.84	1.69	2.53	3.38	4.22

安装示意图/INSTALLATION DIAGRAM



型号信息/MODEL INFORMATION

产品型号 Model	尺寸 Size	功率 Power(Pcs)	电压 Voltage	色温 Color Temperature	角度 Beam Angles	控制协议 Control	芯片品牌 Chips Brand
KMBD-ZY1.2-PZ-12A	105*200*155mm	18W (12PCS)	AC220V DC24V	2700K-6500K	8°、10°、13°、15°、 20°、25°、40°、45°	ON/OFF	CREE OSRAM EPSTAR LUMILEDS SANAN
KMBD-ZY1.2-PZ-12A/B		18W (12PCS)	DC24V	2200K-6500K 1800K-3000K+4000K-6500K			
KMBD-ZY1.2-PZ-12C		18W (12PCS)	DC24V	RGB	15°、25°、45°、60°	DMX512	
KMBD-ZY1.2-PZ-12D		18W (12PCS)	DC24V	RGBW			

LED 壁灯 LED WALL LAMPS

KMBD-ZY 2.2

中原 2.2

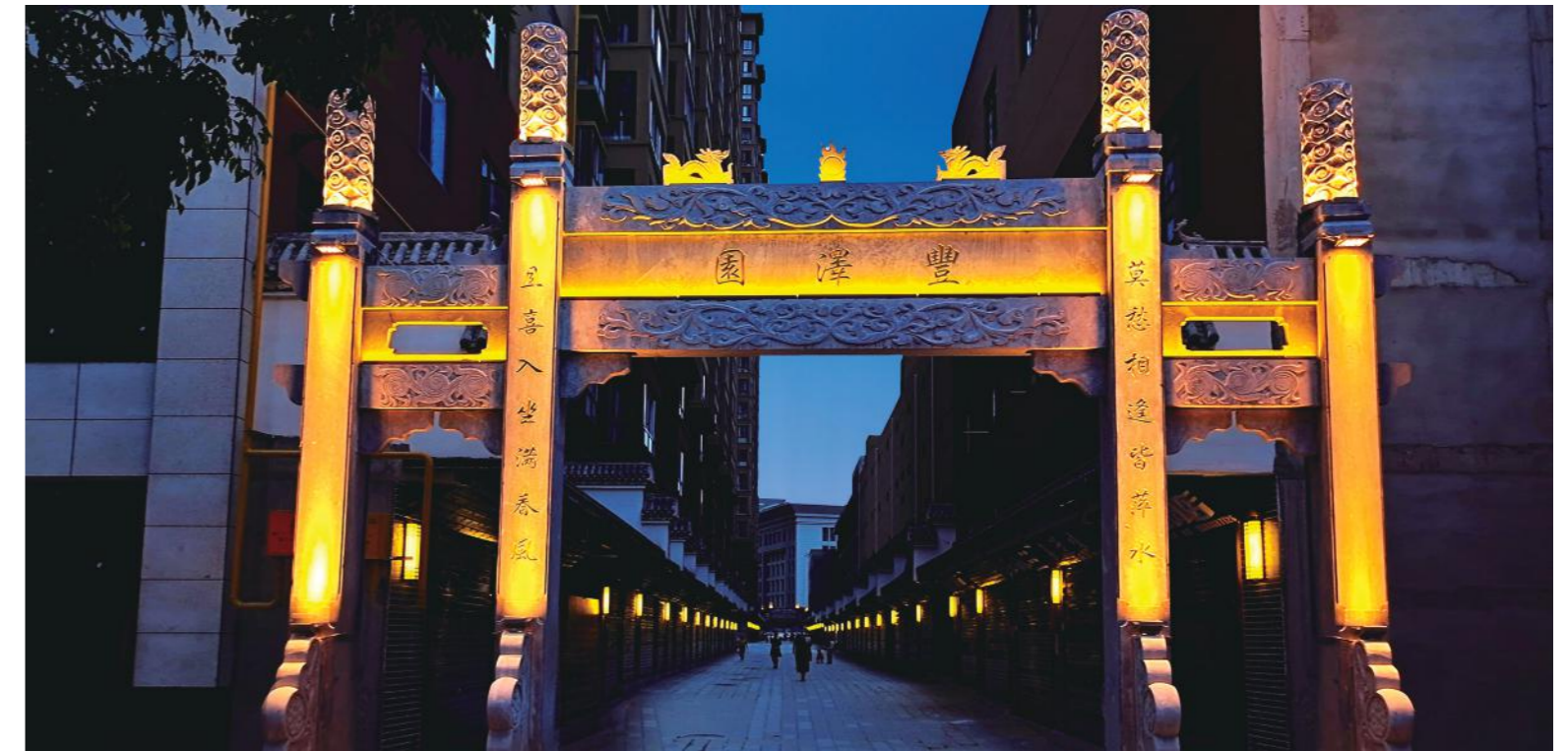


技术参数/PARAMETERS

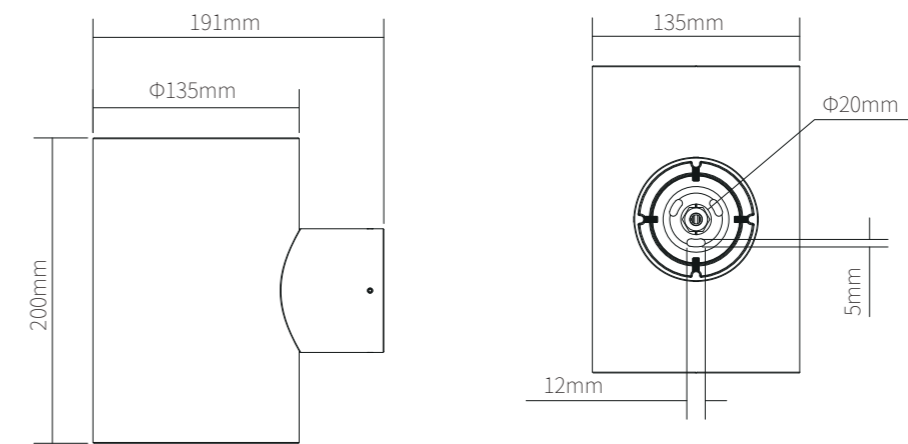
灯体材质: 高强度压铸铝灯体	Housing material: High-strength die-cast aluminum
超白钢化玻璃	Ultra-clear tempered glass
防水密封硅胶垫	Waterproof silicone gasket
表面处理: 表面金属粉漆质感喷涂	Surface Finish: Electrostatically applied polyester powder coat
安 装: 可调角度范围: 不可调角度	Installation: Non-adjustable brackets
灯具禁止安装在低洼积水处	Luminaires are not allowed to be installed in low-lying water
线 材: ON/OFF :500mm两芯0.75mm ² 止水线	Cable: ON/OFF: 500mm two-core 0.75mm ² sheathed cable (Power cable)
ON/OFF AC220V:500mm三芯0.75mm ² 止水线	ON/OFF AC220V:500 three-core 0.75mm ² anti-siphon cable (Power cable)
DMX512:500mm六芯2*0.75+4*0.3mm ² 护套线	DMX512: 500mm six-core 2*0.75+4*0.3mm ² sheathed cable (Power and signal in a cable)
/五芯2*1+3*0.3mm ² 电源+信号	500mm five-core 2*1+3*0.3mm ² (Power and signal in a cable)

产品特性/FEATURES&BENEFITS

外观设计时尚, 出光效果好, 恰如其分点缀多种安装场景	Stylish design, good light effect, appropriately embellish a variety of installation scenes
宽电压输入方案: 精密的方案设计, 高效输出, 响应节能战略	Wide Voltage Input: Precise electronic scheme, powerful reach and energy-saving.
支持多种数据传输协议DMX512	Support a variety of data transmission protocol :DMX512
多位处理技术: 支持亮度调节, 内置亮灯模式设置, 自动编码	Multi-bit processing technology: Support brightness adjustment, built-in lighting mode setting, automatic coding



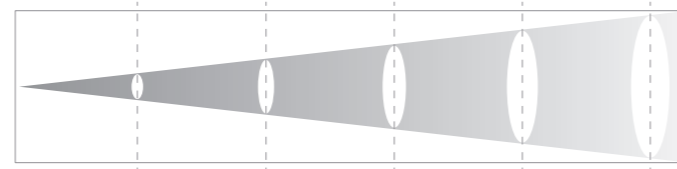
尺寸/DIMENSIONS



EVO 配件/EVO ACCESSORIES



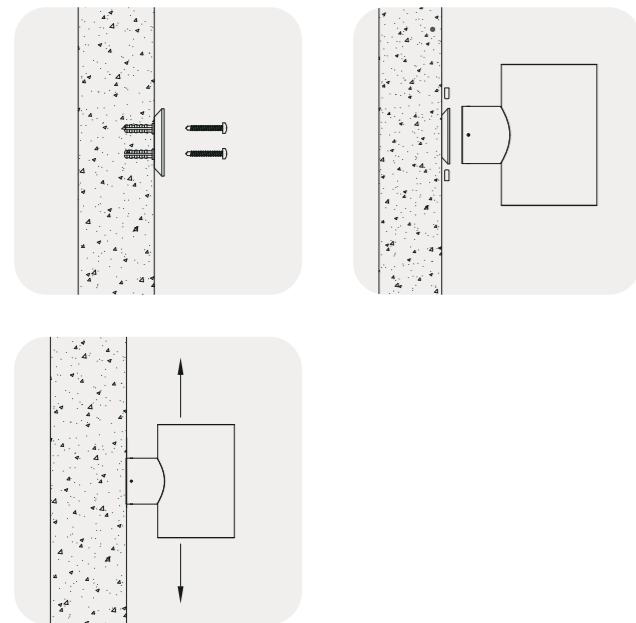
光学数据/OPTICAL DATA



功率/Power 单向one-way 18W

	距离 m	1	2	3	4	5
8°	照度 lux	33809.24	8452.31	3756.58	2113.08	1352.37
	光圈直径 m	0.16	0.32	0.48	0.65	0.81
10°	照度 lux	16392.22	4098.06	1821.36	1024.51	655.69
	光圈直径 m	0.21	0.43	0.64	0.85	1.07
13°	照度 lux	12373.91	3093.48	1374.88	773.37	494.96
	光圈直径 m	0.22	0.44	0.66	0.88	1.10
20°	照度 lux	5737.78	1434.45	637.53	358.61	229.51
	光圈直径 m	0.40	0.81	1.21	1.61	2.02
40°	照度 lux	1964.74	491.19	218.30	122.80	78.59
	光圈直径 m	0.79	1.58	2.36	3.15	3.94
45°	照度 lux	1993.44	498.36	221.49	124.59	79.74
	光圈直径 m	0.85	1.71	2.56	3.41	4.26

安装示意图/INSTALLATION DIAGRAM



型号信息/MODEL INFORMATION

产品型号 Model	尺寸 Size	功率 Power(Pcs)	电压 Voltage	色温 Color Temperature	角度 Beam Angles	控制协议 Control	芯片品牌 Chips Brand
KMBD-ZY2.2-PZ-18A	135*200*185mm	27W (18PCS)	AC220V DC24V	2700K-6500K	8°、10°、13°、15°、 20°、25°、40°、45°	ON/OFF	CREE OSRAM EPISTAR LUMILEDS SANAN
KMBD-ZY2.2-PZ-18A/B	135*200*185mm	27W (18PCS)	AC220V DC24V	2200K-6500K 1800K-3000K+4000K-6500K		DMX512	
KMBD-ZY2.2-PZ-18C	135*200*185mm	27W (18PCS)	AC220V DC24V	RGB	15°、25°、45°、60°		
KMBD-ZY2.2-PZ-18D	135*200*185mm	27W (18PCS)	AC220V DC24V	RGBW			

LED 壁灯 LED WALL LAMPS

KMBD-ZY 3.2

中原 3.2



技术参数/PARAMETERS

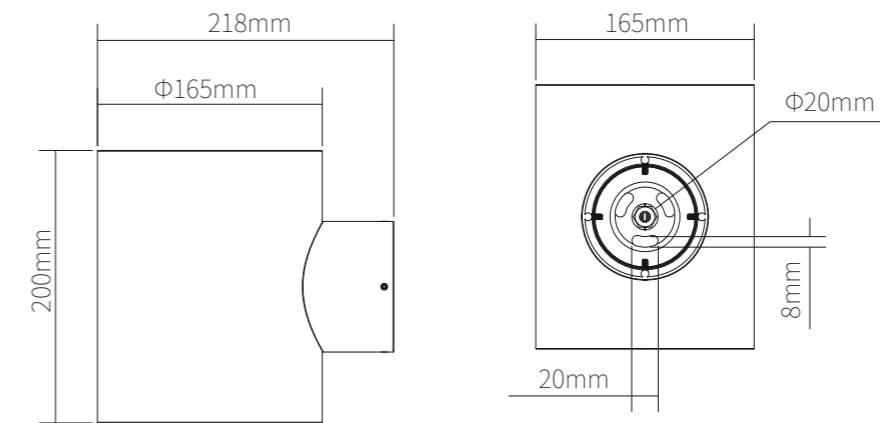
灯体材质: 高强度压铸铝灯体	Housing material: High-strength die-cast aluminum
超钢化玻璃	Ultra-clear tempered glass
防水密封硅胶垫	Waterproof silicone gasket
表面处理: 表面金属粉漆质感喷涂	Surface Finish: Electrostatically applied polyester powder coat
安 装: 可调角度范围: 不可调角度	Installation: Non-adjustable brackets
灯具禁止安装在低洼积水处	Luminaires are not allowed to be installed in low-lying water
线 材: ON/OFF: 500mm两芯0.75mm ² 止水线	Cable: ON/OFF: 500mm two-core 0.75mm ² sheathed cable (power cable)
ON/OFF AC220V: 500mm三芯0.75mm ² 止水线	ON/OFF AC220V: 500 three-core 0.75mm ² anti-siphon cable (power cable)
DMX512: 500mm六芯2*0.75+4*0.3mm ² 护套线 / 五芯2*1+3*0.3mm ² 电源+信号	DMX512: 500mm six-core 2*0.75+4*0.3mm ² sheathed cable (Power and signal in a cable) / 500mm five-core 2*1+3*0.3mm ² (Power and signal in a cable)

产品特性/FEATURES&BENEFITS

外观设计时尚, 出光效果好, 恰如其分点缀多种安装场景	Stylish design, good light effect, appropriately embellish a variety of installation scenes
宽电压输入方案: 精密的方案设计, 高效输出, 响应节能战略	Wide Voltage Input: Precise electronic scheme, powerful reach and energy-saving.
支持多种数据传输协议DMX512	Support a variety of data transmission protocol :DMX512
多位处理技术: 支持亮度调节, 内置亮灯模式设置, 自动编码	Multi-bit processing technology: Support brightness adjustment, built-in lighting mode setting, automatic coding



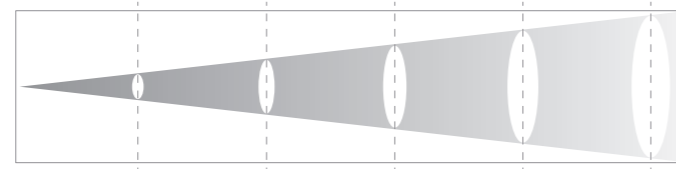
尺寸/DIMENSIONS



EVO 配件/EVO ACCESSORIES



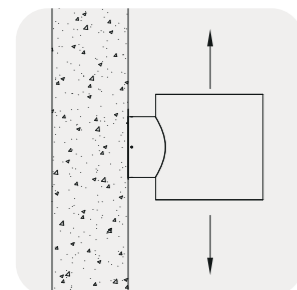
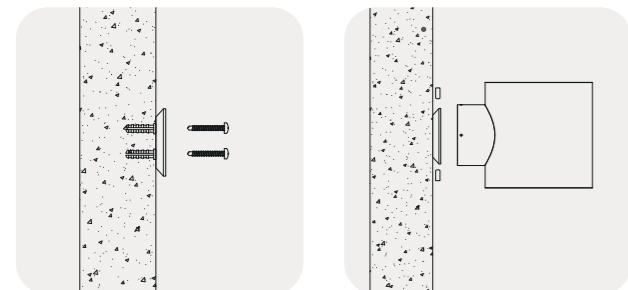
光学数据/OPTICAL DATA



功率/Power 单向one-way 24W

	距离 m	1	2	3	4	5
8°	照度 lux	46106.09	11526.52	5122.90	2881.63	1844.24
	光斑直径 m	0.16	0.32	0.48	0.65	0.81
10°	照度 lux	22502.01	5625.50	2500.22	1406.38	900.08
	光斑直径 m	0.21	0.43	0.64	0.85	1.07
13°	照度 lux	16941.40	4235.35	1882.38	1058.84	677.66
	光斑直径 m	0.22	0.44	0.66	0.88	1.10
20°	照度 lux	7856.28	1964.07	872.92	491.02	314.25
	光斑直径 m	0.40	0.81	1.21	1.61	2.02
40°	照度 lux	2697.40	674.35	299.71	168.59	107.90
	光斑直径 m	0.79	1.58	2.36	3.15	3.94
45°	照度 lux	2720.00	680.00	302.22	170.00	108.80
	光斑直径 m	0.85	1.71	2.56	3.41	4.26

安装示意图/INSTALLATION DIAGRAM



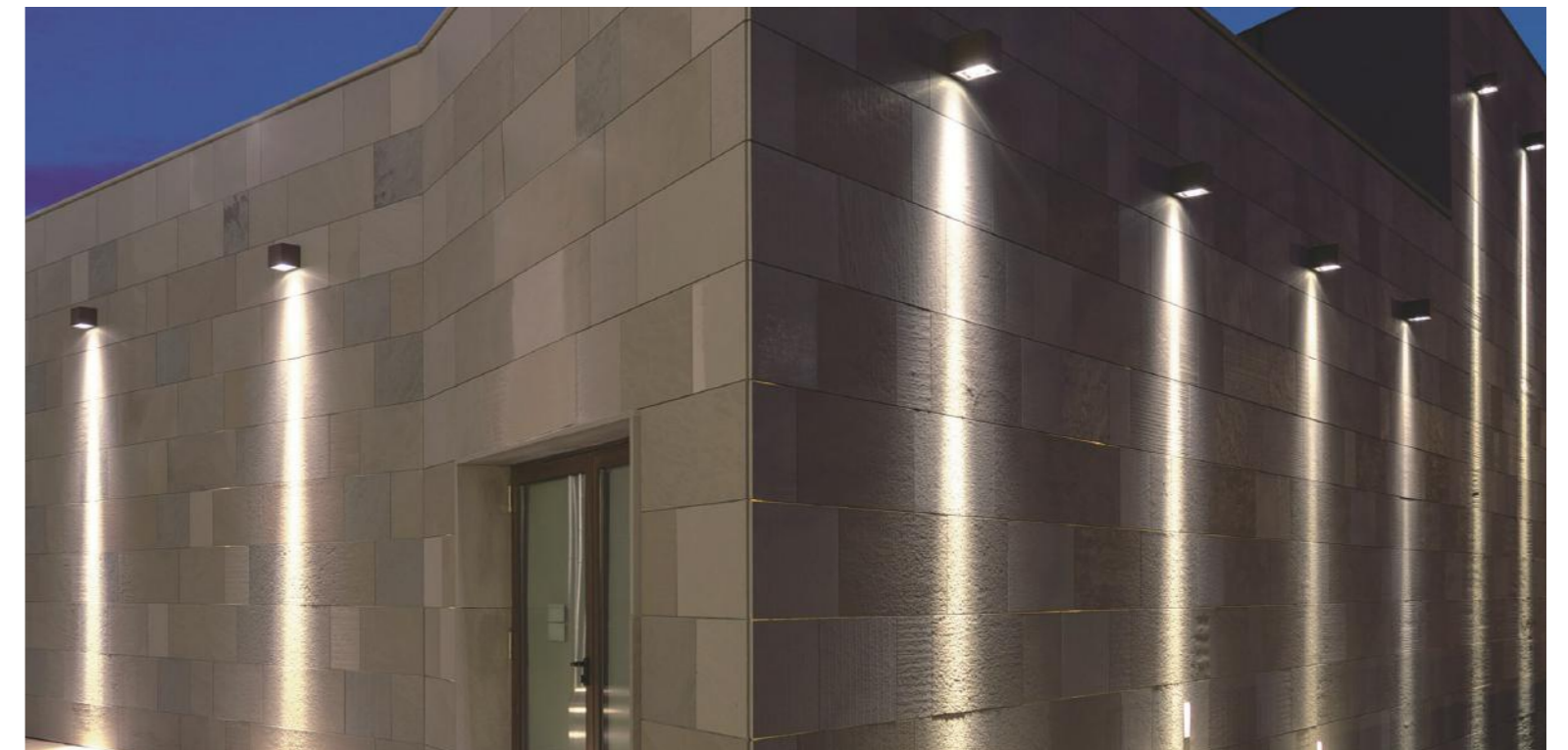
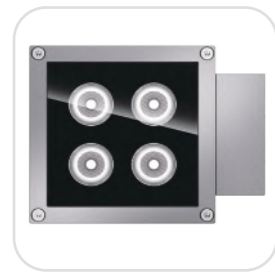
型号信息/MODEL INFORMATION

产品型号 Model	尺寸 Size	功率 Power(Pcs)	电压 Voltage	Color Temperature 色温	角度 Beam Angles	控制协议 Control	芯片品牌 Chips Brand
KMBD-ZY3.2-PZ-24A	165*200*215mm	48W (24PCS)	AC220V DC24V	2700K-6500K	8°、10°、13°、15°、 20°、25°、40°、45°	ON/OFF	CREE OSRAM EPISTAR LUMILEDS SANAN
KMBD-ZY3.2-PZ-24A/B		48W (24PCS)		2200K-6500K 1800K- 3000K+4000K-6500K			
KMBD-ZY3.2-PZ-24C		48W (24PCS)		RGB	15°、25°、45°、60°	DMX512	
KMBD-ZY3.2-PZ-24D		48W (24PCS)		RGBW			

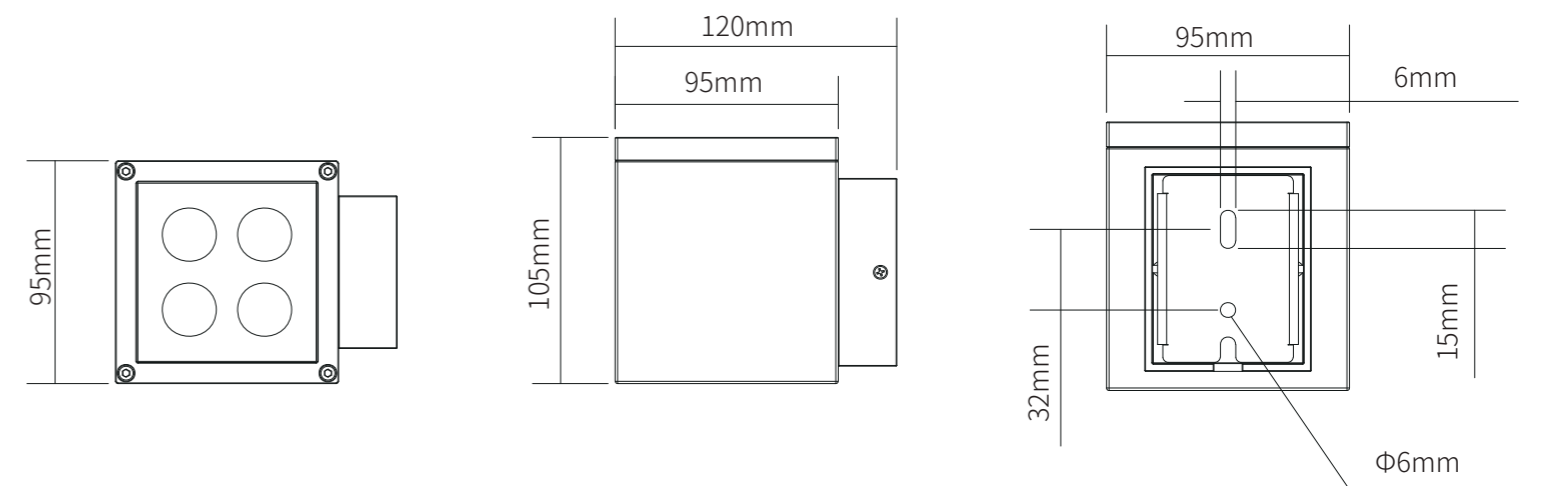
LED 壁灯 LED WALL LAMPS

KMBD-FT 1.1

方特 1.1



尺寸/DIMENSIONS



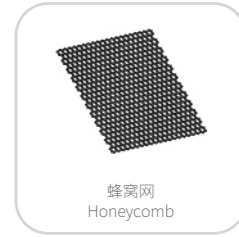
技术参数/PARAMETERS

灯体材质: 高强度压铸铝灯体	Housing material: High-strength die-cast aluminum
超钢化玻璃	Ultra-clear tempered glass
防水密封硅胶垫	Waterproof silicone gasket
表面处理: 表面金属漆质感喷涂	Surface Finish: Electrostatically applied polyester powder coat
安 装: 可调角度范围:不可调角度	Installation: Non-adjustable brackets
灯具禁止安装在低洼积水处	Luminaires are not allowed to be installed in low-lying water
线 材: ON/OFF :500mm两芯0.75mm ² 止水线	Cable: ON/OFF: 500mm two-core 0.75mm ² sheathed cable (Power cable)
ON/OFF AC220V:500mm三芯0.75mm ² 止水线	ON/OFF AC220V:500 three-core 0.75mm ² anti-siphon cable (Power cable)
DMX512:500mm六芯2*0.75+4*0.3mm ² 护套线	DMX512: 500mm six-core 2*0.75+4*0.3mm ² sheathed cable (Power and signal in a cable)
/五芯2*1+3*0.3mm ² 电源+信号防水接头线	500mm five-core 2*1+3*0.3mm ² (Power and signal in a cable)

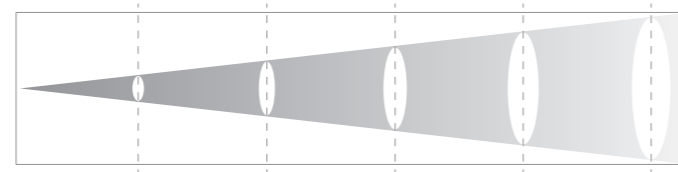
产品特性/FEATURES&BENEFITS

外观设计时尚, 出光效果好, 恰如其分点缀多种安装场景	Stylish design, good light effect, appropriately embellish a variety of installation scenes
宽电压输入方案: 精密的方案设计, 高效输出, 响应节能战略	Wide Voltage Input: Precise electronic scheme, powerful reach and energy-saving.
支持多种数据传输协议DMX512	Support a variety of data transmission protocol :DMX512
多位处理技术: 支持亮度调节, 内置亮灯模式设置, 自动编码	Multi-bit processing technology: Support brightness adjustment, built-in lighting mode setting, automatic coding

EVO 配件/EVO ACCESSORIES



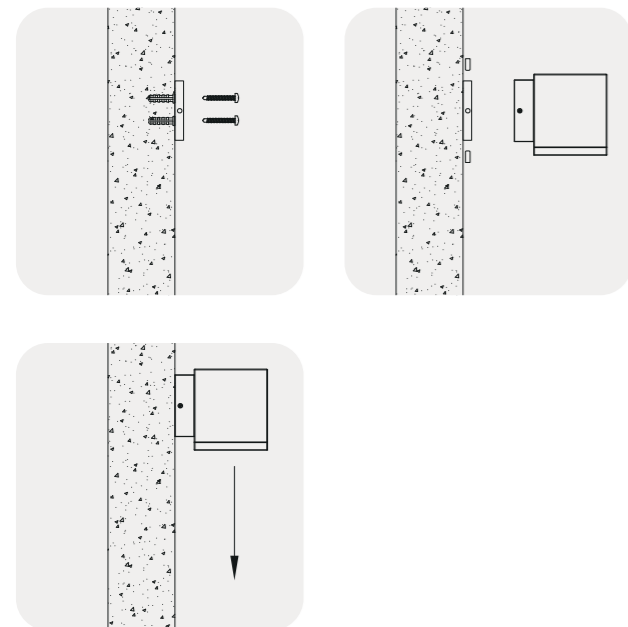
光学数据/OPTICAL DATA



功率/Power 12W

距离 m	1	2	3	4	5	
8°	照度 lux	17807.28	4451.82	1978.59	1112.96	712.29
	光圈直径 m	0.14	0.28	0.42	0.56	0.70
10°	照度 lux	8365.13	2091.28	929.46	522.82	334.61
	光圈直径 m	0.21	0.43	0.64	0.85	1.07
13°	照度 lux	5525.99	1381.50	614.00	345.37	221.04
	光圈直径 m	0.21	0.43	0.64	0.86	1.07
20°	照度 lux	2632.02	658.01	292.45	164.50	105.28
	光圈直径 m	0.40	0.79	1.19	1.59	1.99
40°	照度 lux	953.14	238.29	105.90	59.57	38.13
	光圈直径 m	0.73	1.46	2.19	2.92	3.65
45°	照度 lux	886.03	221.51	98.45	55.38	35.44
	光圈直径 m	0.84	1.69	2.53	3.38	4.22

安装示意图/INSTALLATION DIAGRAM



型号信息/MODEL INFORMATION

产品型号 Model	尺寸 Size	功率 Power(Pcs)	电压 Voltage	色温 Color Temperature	角度 Beam Angles	控制协议 Control	芯片品牌 Chips Brand
KMBD-FT1.1-PZ-4A	120*90*105mm	12W (4PCS)	AC220V DC24V	2700K -6500K	8°、10°、13°、15°、20°、 25°、40°、45°	ON/OFF	CREE OSRAM EPISTAR LUMILEDS SANAN
KMBD-FT1.1-PZ-4A/B		12W (4PCS)	DC24V	2200K -6500K 1800K -3000K+4000K -6500K		DMX512	
KMBD-FT1.1-PZ-4C		12W (4PCS)	DC24V	RGB	15°、25°、45°、60°		
KMBD-FT1.1-PZ-4D		12W (4PCS)	DC24V	RGBW			

LED 壁灯 LED WALL LAMPS

KMBD-FT 2.1

方特 2.1

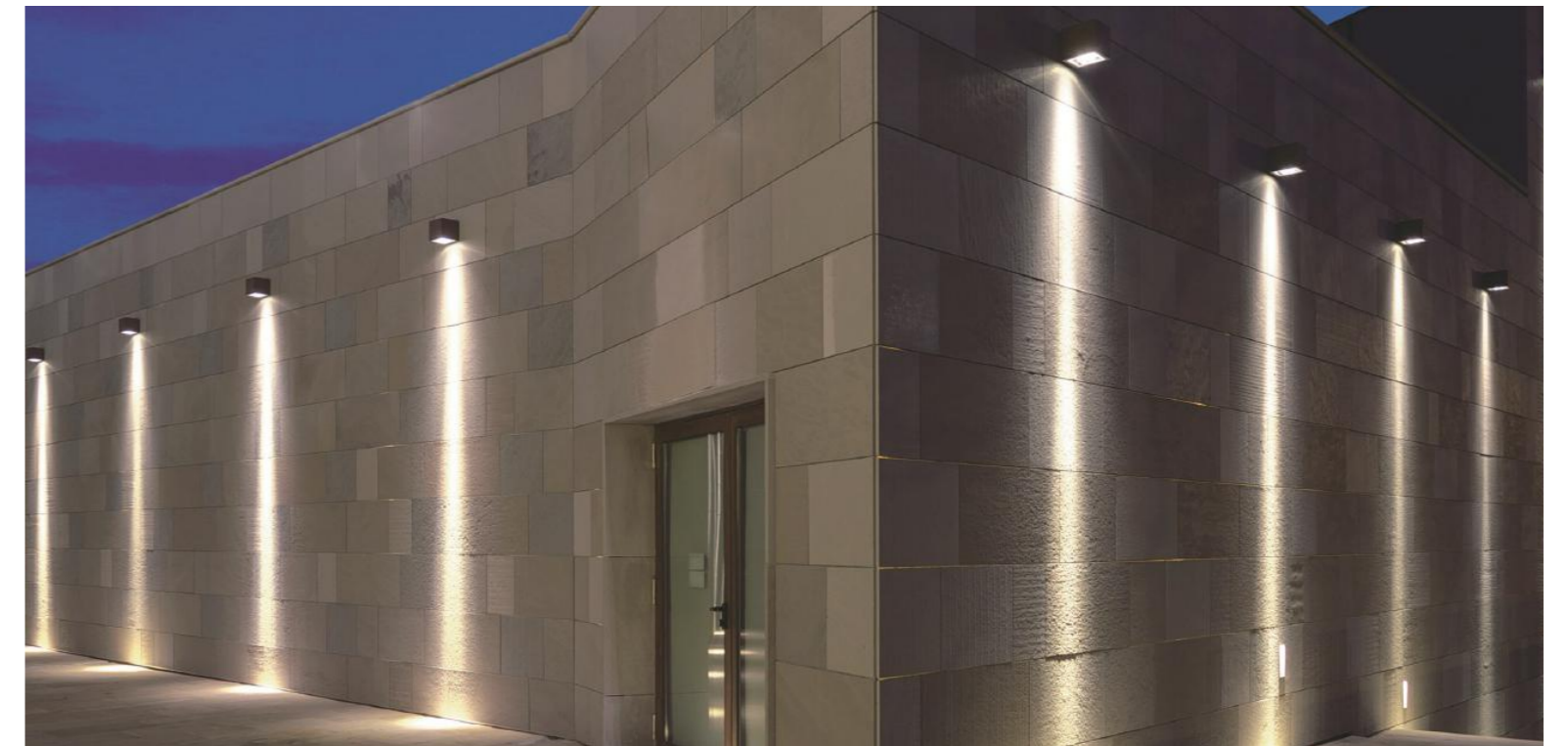


技术参数/PARAMETERS

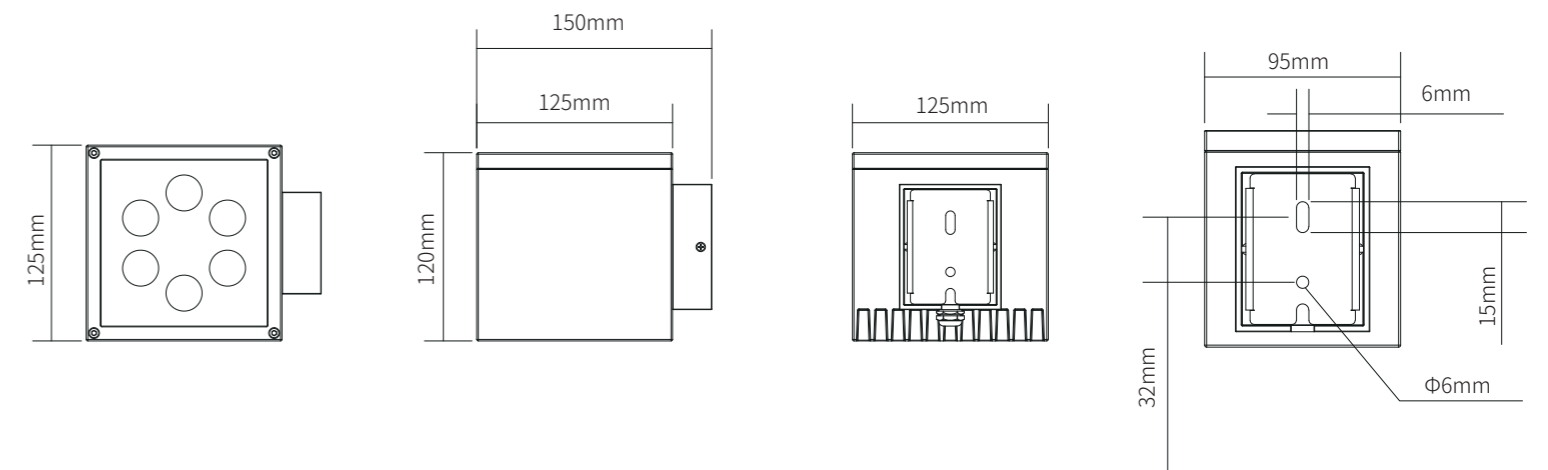
灯体材质: 高强度压铸铝灯体	Housing material: High-strength die-cast aluminum
超白钢化玻璃	Ultra-clear tempered glass
防水密封硅胶	Waterproof silicone gasket
表面处理: 表面金属粉质感喷涂	Surface Finish: Electrostatically applied polyester powder coat
安 装: 可调角度范围:不可调角度	Installation: Non-adjustable brackets
灯具禁止安装在低洼积水处	Luminaires are not allowed to be installed in low-lying water
线 材: ON/OFF :500mm两芯0.75mm ² 止水线	Cable: ON/OFF: 500mm two-core 0.75mm ² sheathed cable (Power cable)
ON/OFF AC220V:500mm三芯0.75mm ² 止水线	ON/OFF AC220V:500 three-core 0.75mm ² anti-siphon cable (Power cable)
DMX512:500mm六芯2*0.75+4*0.3mm ² 护套线	DMX512: 500mm six-core 2*0.75+4*0.3mm ² sheathed cable (Power and signal in a cable)
/五芯2*1+3*0.3mm ² 电源+信号防水接头线	500mm five-core 2*1+3*0.3mm ² (Power and signal in a cable)

产品特性/FEATURES&BENEFITS

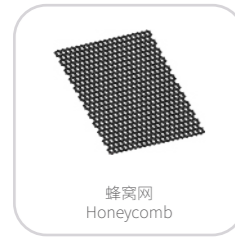
外观设计时尚, 出光效果好, 恰如其分点缀多种安装场景	Stylish design, good light effect, appropriately embellish a variety of installation scenes
宽电压输入方案: 精密的方案设计, 高效输出, 响应节能战略	Wide Voltage Input: Precise electronic scheme, powerful reach and energy-saving.
支持多种数据传输协议DMX512	Support a variety of data transmission protocol :DMX512
多位处理技术: 支持亮度调节, 内置亮灯模式设置, 自动编码	Multi-bit processing technology: Support brightness adjustment, built-in lighting mode setting, automatic coding



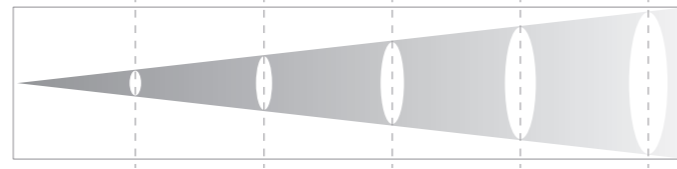
尺寸/DIMENSIONS



EVO 配件/EVO ACCESSORIES



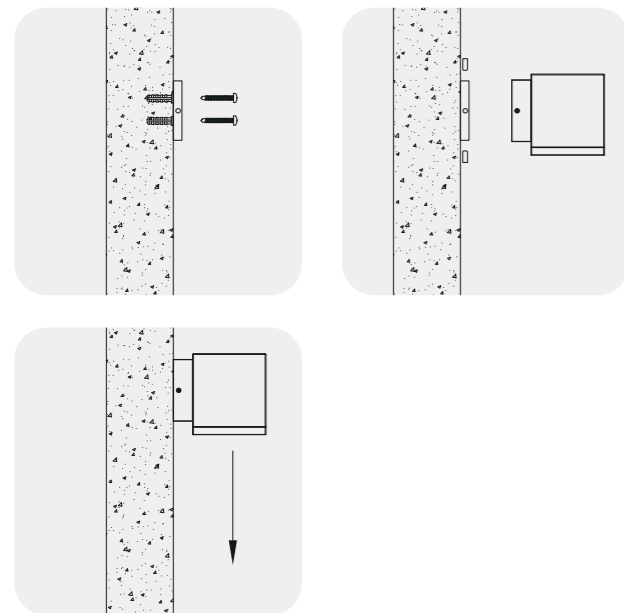
光学数据/OPTICAL DATA



功率/Power 18W

	距离 m	1	2	3	4	5
8°	照度 lux	22261.54	5565.38	2473.50	1391.35	890.46
	光圈直径 m	0.17	0.34	0.51	0.67	0.84
10°	照度 lux	11712.73	2928.18	1301.41	732.05	468.51
	光圈直径 m	0.21	0.43	0.64	0.85	1.07
13°	照度 lux	8953.72	2238.43	994.86	559.61	358.15
	光圈直径 m	0.22	0.44	0.66	0.88	1.10
20°	照度 lux	4085.11	1021.28	453.90	255.32	163.40
	光圈直径 m	0.40	0.81	1.21	1.61	2.02
40°	照度 lux	1515.15	378.79	168.35	94.70	60.61
	光圈直径 m	0.75	1.49	2.24	2.98	3.73
45°	照度 lux	1470.77	367.69	163.42	91.92	58.83
	光圈直径 m	0.83	1.66	2.49	3.32	4.14

安装示意图/INSTALLATION DIAGRAM



型号信息/MODEL INFORMATION

产品型号 Model	尺寸 Size	功率 Power(Pcs)	电压 Voltage	色温 Color Temperature	角度 Beam Angles	控制协议 Control	芯片品牌 Chips Brand
KMBD-FT2.1-PZ-6A	125*120*150mm	18W (6PCS)	AC220V DC24V	2700K-6500K	8°、10°、13°、15°、20°、 25°、40°、45°	ON/OFF	CREE OSRAM EPISTAR LUMILEDS SANAN
KMBD-FT2.1-PZ-6A/B		18W (6PCS)		2200K-6500K 1800K-3000K+4000K-6500K			
KMBD-FT2.1-PZ-6C		18W (6PCS)		RGB	15°、25°、45°、60°	DMX512	
KMBD-FT2.1-PZ-6D		18W (6PCS)		RGBW			

LED 壁灯 LED WALL LAMPS

KMBD-FT 3.1
方特 3.1

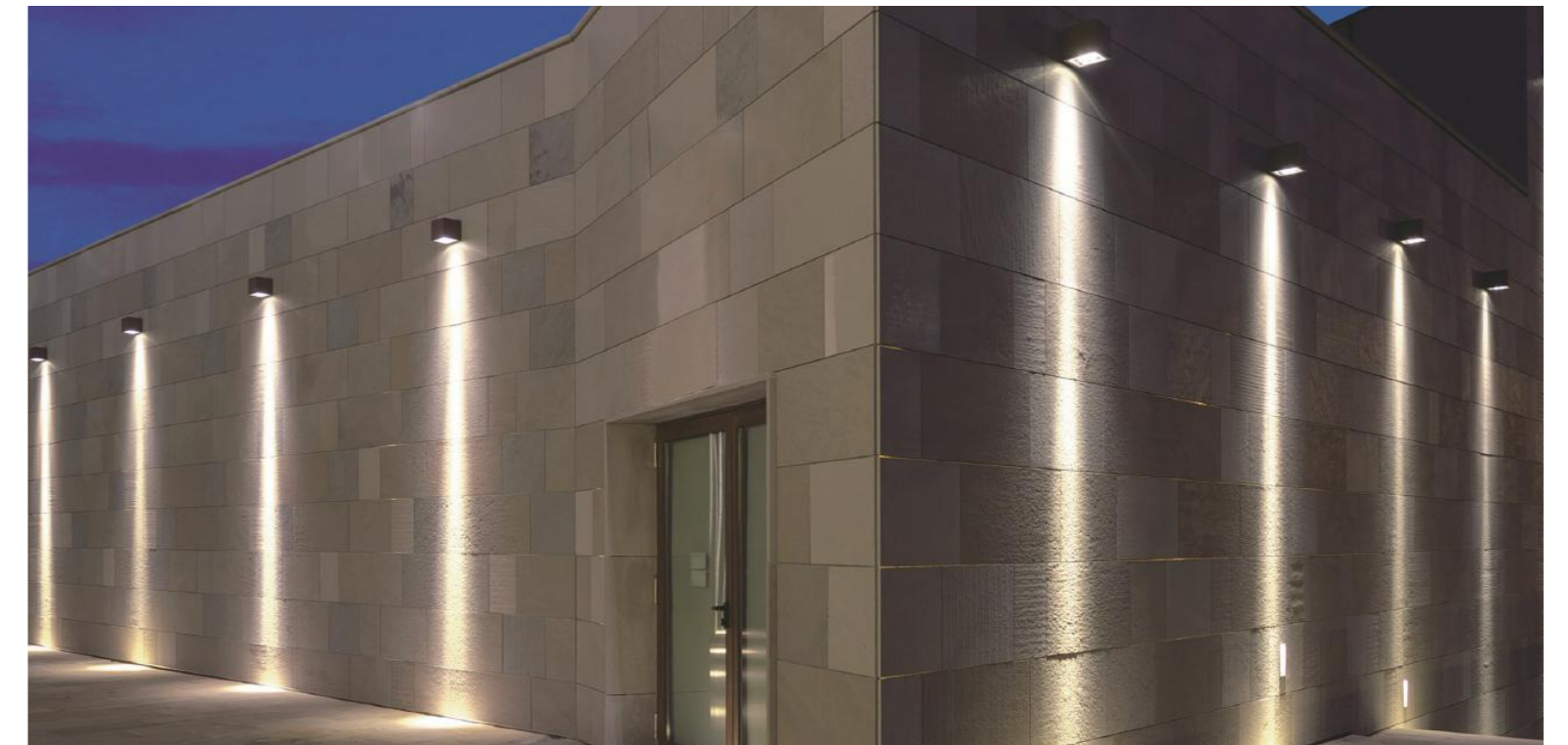


技术参数/PARAMETERS

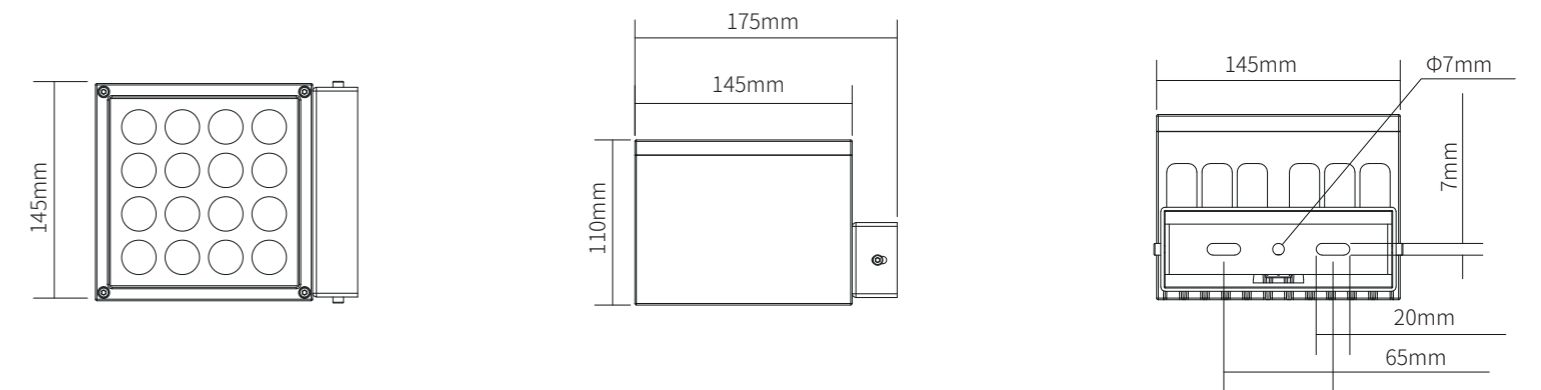
灯体材质: 高强度压铸铝灯体	Housing material: High-strength die-cast aluminum
超白钢化玻璃	Ultra-clear tempered glass
防水密封硅胶垫	Waterproof silicone gasket
表面处理: 表面金属漆质感喷涂	Surface Finish: Electrostatically applied polyester powder coat
安 装: 可调角度范围:不可调角度	Installation: Non-adjustable brackets
灯具禁止安装在低洼积水处	Luminaires are not allowed to be installed in low-lying water
线 材: ON/OFF :500mm两芯0.75mm ² 止水线	Cable: ON/OFF: 500mm two-core 0.75mm ² sheathed cable (Power cable)
ON/OFF AC220V:500mm三芯0.75mm ² 止水线	ON/OFF AC220V:500 three-core 0.75mm ² anti-siphon cable (Power cable)
DMX512:500mm六芯2*0.75+4*0.3mm ² 护套线 /五芯2*1+3*0.3mm ² 电源+信号防水接头线	DMX512: 500mm six-core 2*0.75+4*0.3mm ² sheathed cable (Power and signal in a cable) 500mm five-core 2*1+3*0.3mm ² (Power and signal in a cable)

产品特性/FEATURES&BENEFITS

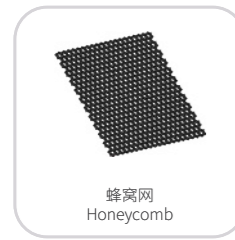
外观设计时尚, 出光效果好, 恰如其分点缀多种安装场景	Stylish design, good light effect, appropriately embellish a variety of installation scenes
宽电压输入方案: 精密的方案设计, 高效输出, 响应节能战略	Wide Voltage Input: Precise electronic scheme, powerful reach and energy-saving.
支持多种数据传输协议DMX512	Support a variety of data transmission protocol :DMX512
多位处理技术: 支持亮度调节, 内置亮灯模式设置, 自动编码	Multi-bit processing technology: Support brightness adjustment, built-in lighting mode setting, automatic coding



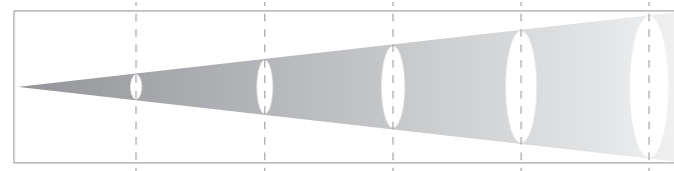
尺寸/DIMENSIONS



EVO 配件/EVO ACCESSORIES



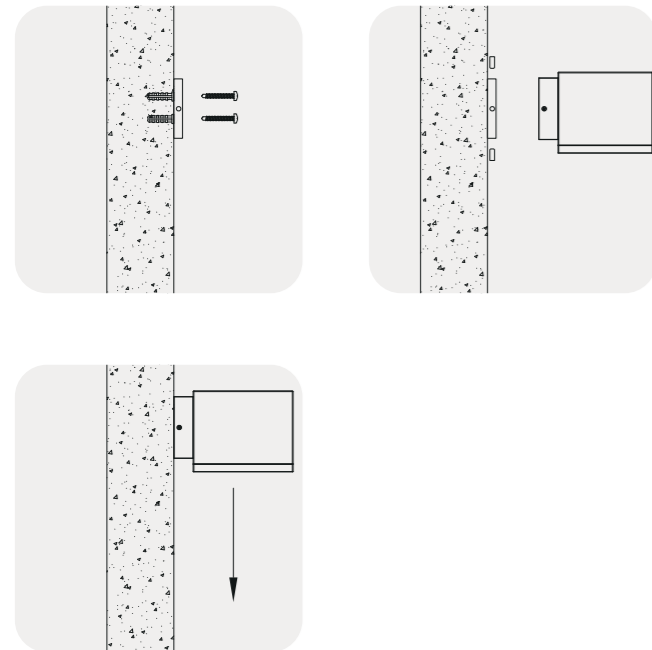
光学数据/OPTICAL DATA



功率/Power 40W

	距离 m	1	2	3	4	5
8°	照度 lux	51723.85	12930.96	5747.09	3232.74	2068.95
	光圈直径 m	0.17	0.34	0.51	0.67	0.84
10°	照度 lux	27358.94	6839.74	3039.88	1709.93	1094.36
	光圈直径 m	0.21	0.43	0.64	0.85	1.07
13°	照度 lux	21138.53	5284.63	2348.73	1321.16	845.54
	光圈直径 m	0.22	0.44	0.66	0.88	1.10
20°	照度 lux	9658.27	2414.57	1073.14	603.64	386.33
	光圈直径 m	0.40	0.81	1.21	1.61	2.02
40°	照度 lux	3558.12	889.53	395.35	222.38	142.32
	光圈直径 m	0.75	1.49	2.24	2.98	3.73
45°	照度 lux	3467.95	866.99	385.33	216.75	138.72
	光圈直径 m	0.83	1.66	2.49	3.32	4.14

安装示意图/INSTALLATION DIAGRAM



型号信息/MODEL INFORMATION

产品型号 Model	尺寸 Size	功率 Power(Pcs)	电压 Voltage	色温 Color Temperature	角度 Beam Angles	控制协议 Control	芯片品牌 Chips Brand
KMBD-FT3.1-PZ-16A	145*110*175mm	40W (16PCS)	AC220V DC24V	2700K-6500K	8°、10°、13°、15°、20°、 25°、40°、45°	ON/OFF	CREE OSRAM EPISTAR LUMILEDS SANAN
KMBD-FT3.1-PZ-16A/B		40W (16PCS)		2200K-6500K 1800K-3000K+4000K-6500K			
KMBD-FT3.1-PZ-16C		40W (16PCS)		RGB	15°、25°、45°、60°	DMX512	
KMBD-FT3.1-PZ-16D		40W (16PCS)		RGBW			

LED 壁灯 LED WALL LAMPS

KMBD -FT 1.2

方特 1.2



技术参数/PARAMETERS

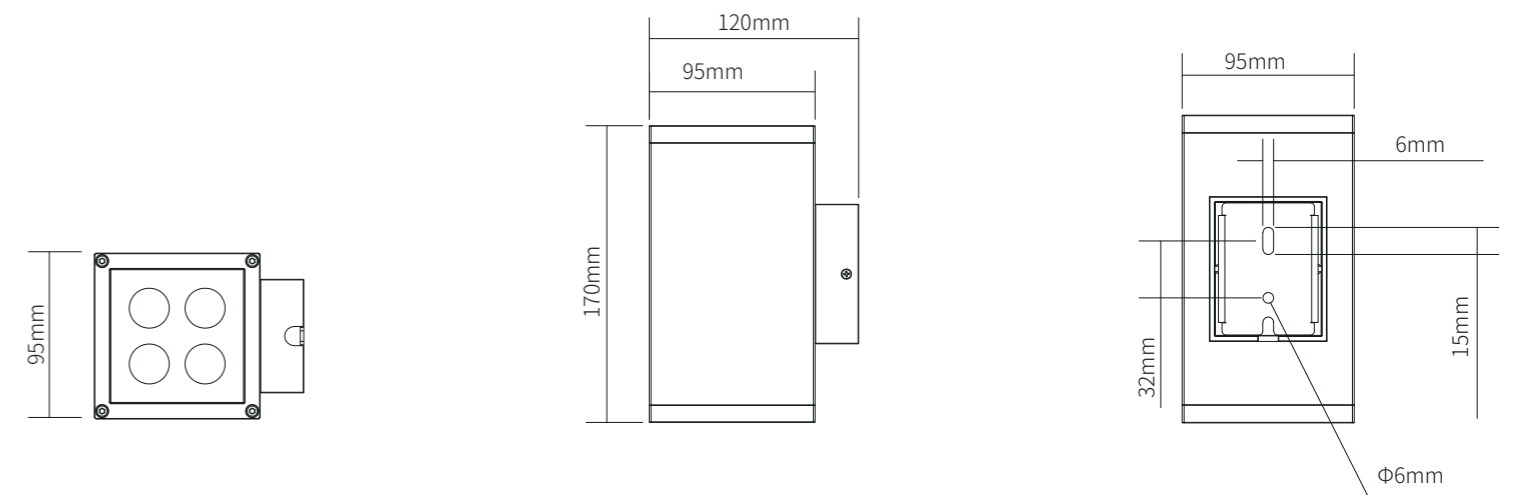
灯体材质: 高强度压铸铝灯体	Housing material: High-strength die-cast aluminum
超白钢化玻璃	Ultra-clear tempered glass
防水密封硅胶垫	Waterproof silicone gasket
表面处理: 表面金属漆质感喷涂	Surface Finish: Electrostatically applied polyester powder coat
安 装: 可调角度范围:不可调角度	Installation: Non-adjustable brackets
灯具禁止安装在低洼积水处	Luminaires are not allowed to be installed in low-lying water
线 材: ON/OFF :500mm两芯0.75mm ² 止水线	Cable: ON/OFF: 500mm two-core 0.75mm ² sheathed cable (Power cable)
ON/OFF AC220V:500mm三芯0.75mm ² 止水线	ON/OFF AC220V:500 three-core 0.75mm ² anti-siphon cable (Power cable)
DMX512:500mm六芯2*0.75+4*0.3mm ² 护套线	DMX512: 500mm six-core 2*0.75+4*0.3mm ² sheathed cable (Power and signal in a cable)
/五芯2*1+3*0.3mm ² 电源+信号防水接头线	500mm five-core 2*1+3*0.3mm ² (Power and signal in a cable)

产品特性/FEATURES&BENEFITS

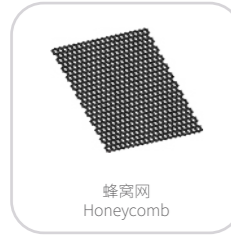
外观设计时尚, 出光效果好, 恰如其分点缀多种安装场景	Stylish design, good light effect, appropriately embellish a variety of installation scenes
宽电压输入方案: 精密的方案设计, 高效输出, 响应节能战略	Wide Voltage Input: Precise electronic scheme, powerful reach and energy-saving.
支持多种数据传输协议DMX512	Support a variety of data transmission protocol :DMX512
多位处理技术: 支持亮度调节, 内置亮灯模式设置, 自动编码	Multi-bit processing technology: Support brightness adjustment, built-in lighting mode setting, automatic coding



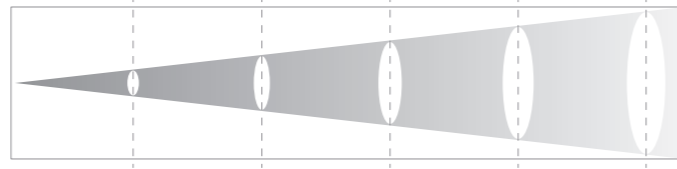
尺寸/DIMENSIONS



EVO 配件/EVO ACCESSORIES



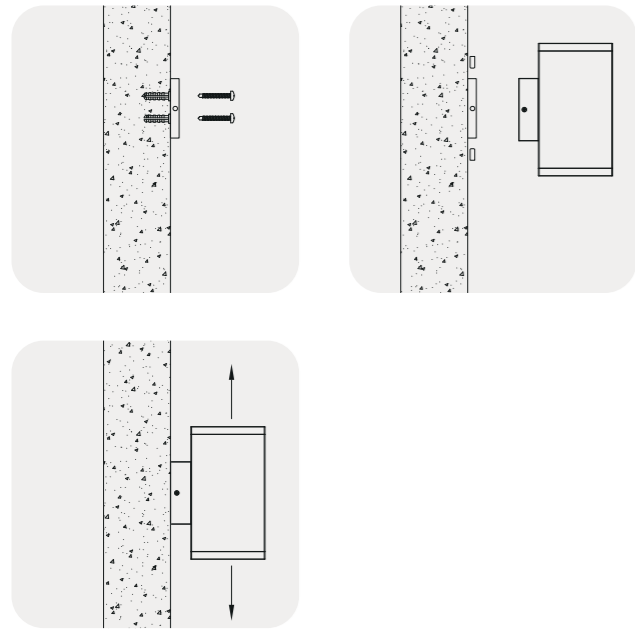
光学数据/OPTICAL DATA



功率/Power 12W

距离 m	1	2	3	4	5	
8°	照度 lux	17807.28	4451.82	1978.59	1112.96	712.29
	光斑直径 m	0.14	0.28	0.42	0.56	0.70
10°	照度 lux	8365.13	2091.28	929.46	522.82	334.61
	光斑直径 m	0.21	0.43	0.64	0.85	1.07
13°	照度 lux	5525.99	1381.50	614.00	345.37	221.04
	光斑直径 m	0.21	0.43	0.64	0.86	1.07
20°	照度 lux	2632.02	658.01	292.45	164.50	105.28
	光斑直径 m	0.40	0.79	1.19	1.59	1.99
40°	照度 lux	953.14	238.29	105.90	59.57	38.13
	光斑直径 m	0.73	1.46	2.19	2.92	3.65
45°	照度 lux	886.03	221.51	98.45	55.38	35.44
	光斑直径 m	0.84	1.69	2.53	3.38	4.22

安装示意图/INSTALLATION DIAGRAM



型号信息/MODEL INFORMATION

产品型号 Model	尺寸 Size	功率 Power(Pcs)	电压 Voltage	Color Temperature 色温	角度 Beam Angles	控制协议 Control	芯片品牌 Chips Brand
KMBD-FT1.2-PZ-8A	95*120*170mm	24W (8PCS)	AC220V DC24V	2700K -6500K	8°、10°、13°、15°、 20°、25°、40°、45°	ON/OFF	CREE OSRAM EPISTAR LUMILEDS SANAN
KMBD-FT1.2-PZ-8A/B		24W (8PCS)		2200K -6500K 1800K -3000K+4000K -6500K			
KMBD-FT1.2-PZ-8C		24W (8PCS)		RGB	15°、25°、45°、60°	DMX512	
KMBD-FT1.2-PZ-8D		24W (8PCS)		RGBW			

LED 壁灯 LED WALL LAMPS

KMBD-FT 2.2

方特 2.2

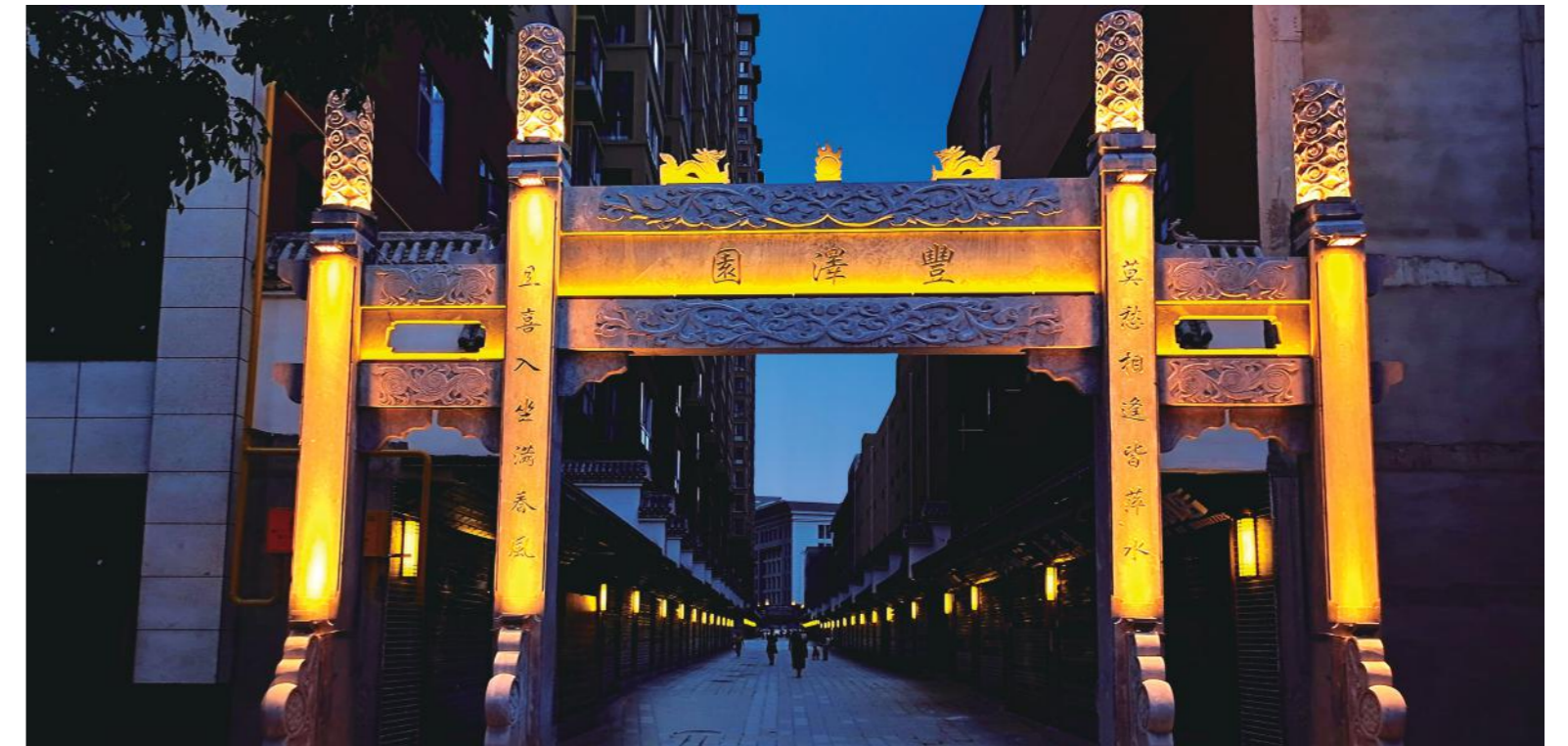


技术参数/PARAMETERS

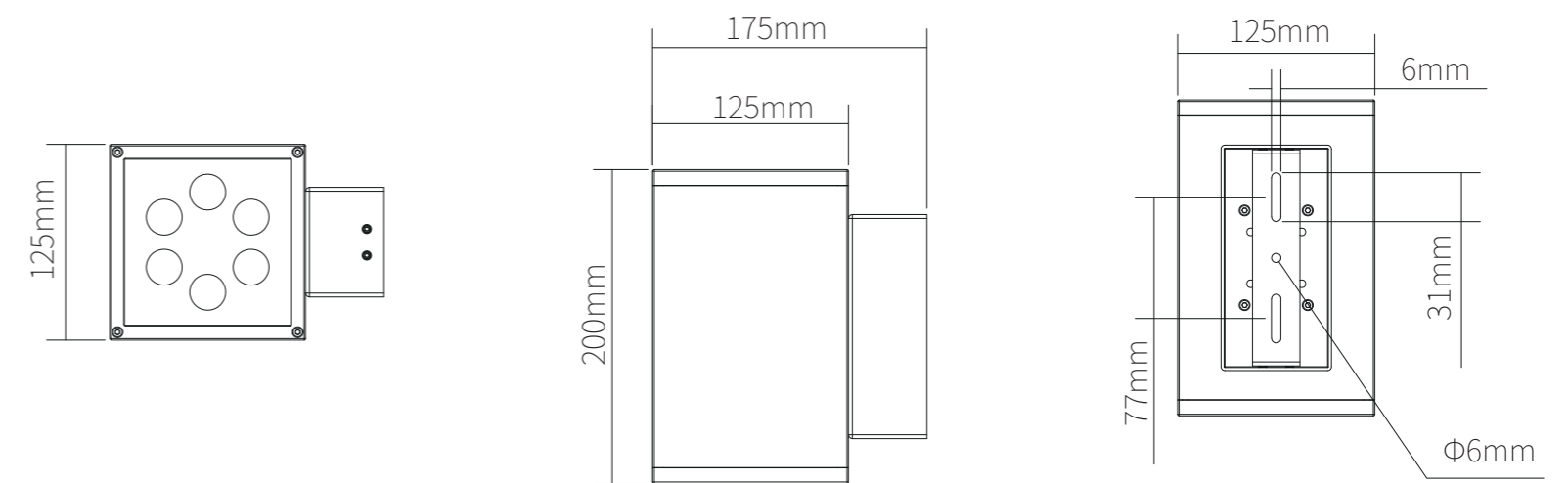
灯体材质: 高强度压铸铝灯体	Housing material: High-strength die-cast aluminum
超白钢化玻璃	Ultra-clear tempered glass
防水密封硅胶垫	Waterproof silicone gasket
表面处理: 表面金属粉漆质感喷涂	Surface Finish: Electrostatically applied polyester powder coat
安 装: 可调角度范围:不可调角度	Installation: Non-adjustable brackets
灯具禁止安装在低洼积水处	Luminaires are not allowed to be installed in low-lying water
线 材: ON/OFF :500mm两芯0.75mm ² 止水线	Cable: ON/OFF: 500mm two-core 0.75mm ² sheathed cable (Power cable)
ON/OFF AC220V:500mm三芯0.75mm ² 止水线	ON/OFF AC220V:500 three-core 0.75mm ² anti-siphon cable (Power cable)
DMX512:500mm六芯2*0.75+4*0.3mm ² 护套线	DMX512: 500mm six-core 2*0.75+4*0.3mm ² sheathed cable (Power and signal in a cable)
/五芯2*1+3*0.3mm ² 电源+信号防水接头线	500mm five-core 2*1+3*0.3mm ² (Power and signal in a cable)

产品特性/FEATURES&BENEFITS

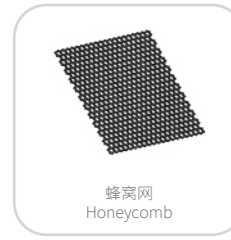
外观设计时尚, 出光效果好, 恰如其分点缀多种安装场景	Stylish design, good light effect, appropriately embellish a variety of installation scenes
宽电压输入方案: 精密的方案设计, 高效输出, 响应节能战略	Wide Voltage Input: Precise electronic scheme, powerful reach and energy-saving.
支持多种数据传输协议DMX512	Support a variety of data transmission protocol :DMX512
多位处理技术: 支持亮度调节, 内置亮灯模式设置, 自动编码	Multi-bit processing technology: Support brightness adjustment, built-in lighting mode setting, automatic coding



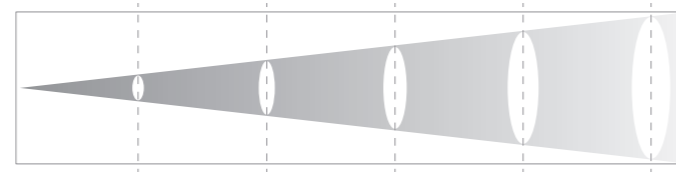
尺寸/DIMENSIONS



EVO 配件/EVO ACCESSORIES



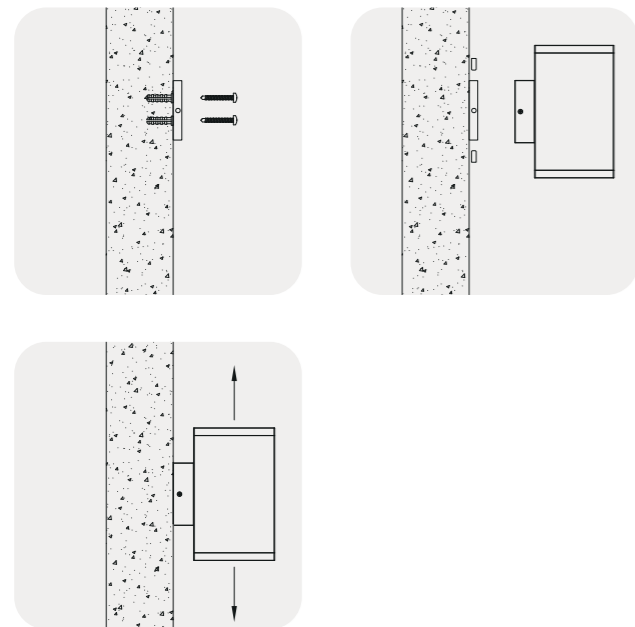
光学数据/OPTICAL DATA



功率/Power 18W

	距离 m	1	2	3	4	5
8°	照度 lux	22261.54	5565.38	2473.50	1391.35	890.46
	光圈直径 m	0.17	0.34	0.51	0.67	0.84
10°	照度 lux	11712.73	2928.18	1301.41	732.05	468.51
	光圈直径 m	0.21	0.43	0.64	0.85	1.07
13°	照度 lux	8953.72	2238.43	994.86	559.61	358.15
	光圈直径 m	0.22	0.44	0.66	0.88	1.10
20°	照度 lux	4085.11	1021.28	453.90	255.32	163.40
	光圈直径 m	0.40	0.81	1.21	1.61	2.02
40°	照度 lux	1515.15	378.79	168.35	94.70	60.61
	光圈直径 m	0.75	1.49	2.24	2.98	3.73
45°	照度 lux	1470.77	367.69	163.42	91.92	58.83
	光圈直径 m	0.83	1.66	2.49	3.32	4.14

安装示意图/INSTALLATION DIAGRAM



型号信息/MODEL INFORMATION

产品型号 Model	尺寸 Size	功率 Power(Pcs)	电压 Voltage	色温 Color Temperature	角度 Beam Angles	控制协议 Control	芯片品牌 Chips Brand
KMBD-FT2.2-PZ-12A	125*175*200mm	32W (12PCS)	AC220V DC24V	2700K-6500K	8°、10°、13°、15°、 20°、25°、40°、45°	ON/OFF	CREE OSRAM EPISTAR LUMILEDS SANAN
KMBD-FT2.2-PZ-12A/B		32W (12PCS)		2200K-6500K 1800K- 3000K+4000K-6500K			
KMBD-FT2.2-PZ-12C		32W (12PCS)		RGB	15°、25°、45°、60°		
KMBD-FT2.2-PZ-12D		32W (12PCS)		RGBW		DMX512	

LED 壁灯 LED WALL LAMPS

KMBD-FT3.2
方特 3.2



技术参数/PARAMETERS

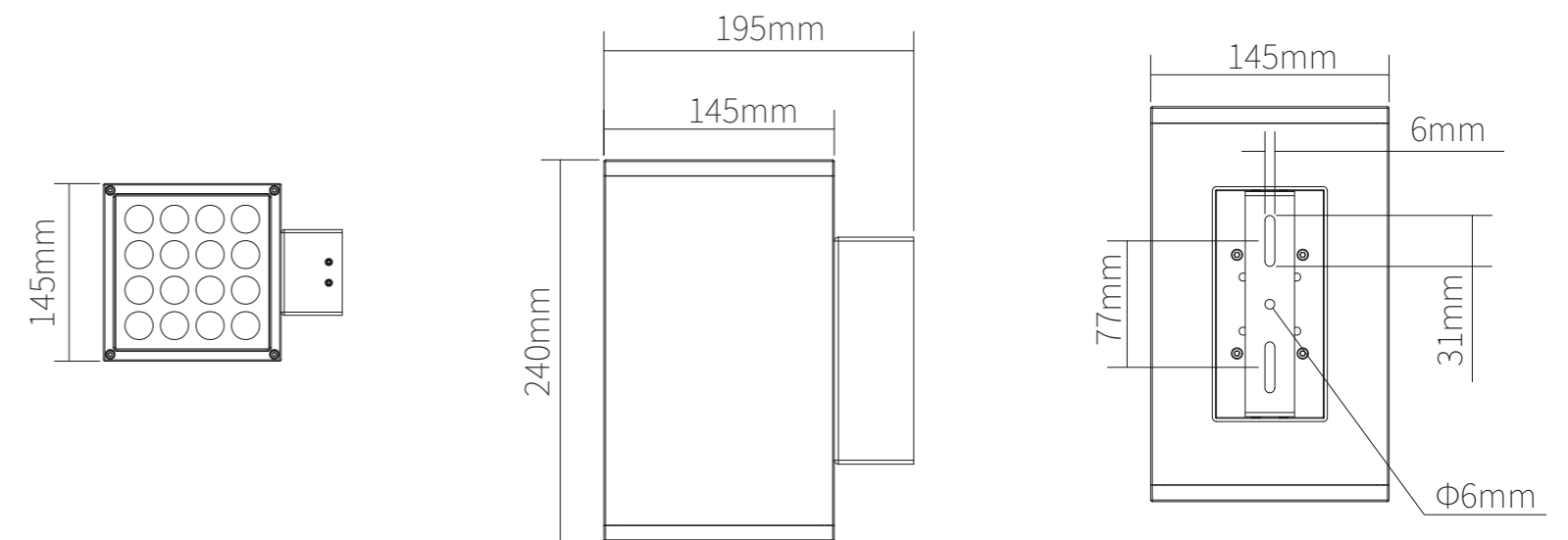
灯体材质: 高强度压铸铝灯体	Housing material: High-strength die-cast aluminum
超白钢化玻璃	Ultra-clear tempered glass
防水密封硅胶垫	Waterproof silicone gasket
表面处理: 表面金属粉质感喷涂	Surface Finish: Electrostatically applied polyester powder coat
安 装: 可调角度范围:不可调角度	Installation: Non-adjustable brackets
灯具禁止安装在低洼积水处	Luminaires are not allowed to be installed in low-lying water
线 材: ON/OFF :500mm两芯0.75mm ² 止水线	Cable: ON/OFF: 500mm two-core 0.75mm ² sheathed cable (Power cable)
ON/OFF AC220V:500mm三芯0.75mm ² 止水线	ON/OFF AC220V:500 three-core 0.75mm ² anti-siphon cable (Power cable)
DMX512:500mm六芯2*0.75+4*0.3mm ² 护套线	DMX512: 500mm six-core 2*0.75+4*0.3mm ² sheathed cable (Power and signal in a cable)
/五芯2*1+3*0.3mm ² 电源+信号防水接头线	500mm five-core 2*1+3*0.3mm ² (Power and signal in a cable)

产品特性/FEATURES&BENEFITS

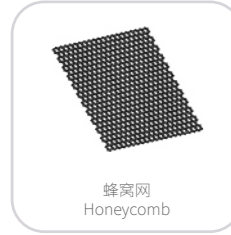
外观设计时尚, 出光效果好, 恰如其分点缀多种安装场景	Stylish design, good light effect, appropriately embellish a variety of installation scenes
宽电压输入方案: 精密的方案设计, 高效输出, 响应节能战略	Wide Voltage Input: Precise electronic scheme, powerful reach and energy-saving.
支持多种数据传输协议DMX512	Support a variety of data transmission protocol :DMX512
多位处理技术: 支持亮度调节, 内置亮灯模式设置, 自动编码	Multi-bit processing technology: Support brightness adjustment, built-in lighting mode setting, automatic coding



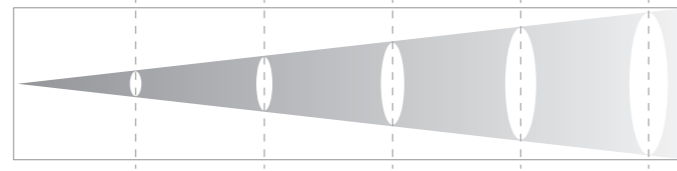
尺寸/DIMENSIONS



EVO 配件/EVO ACCESSORIES



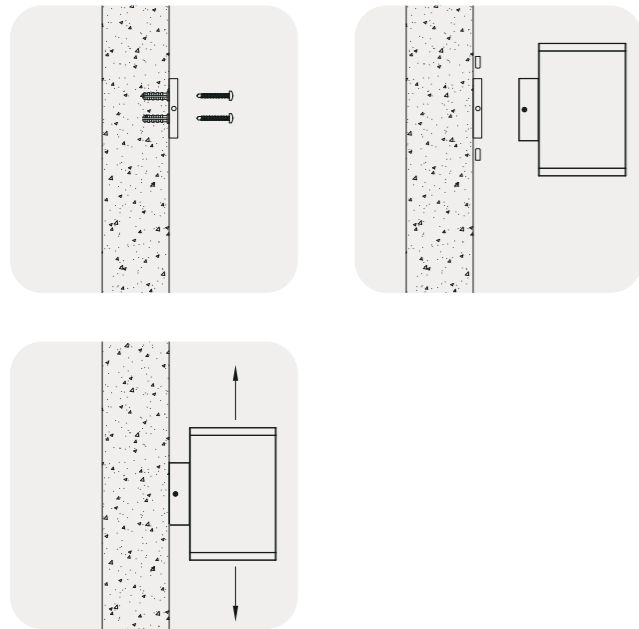
光学数据/OPTICAL DATA



功率/Power 40W

	距离 m	1	2	3	4	5
8°	照度 lux	51723.85	12930.96	5747.09	3232.74	2068.95
	光圈直径 m	0.17	0.34	0.51	0.67	0.84
10°	照度 lux	27358.94	6839.74	3039.88	1709.93	1094.36
	光圈直径 m	0.21	0.43	0.64	0.85	1.07
13°	照度 lux	21138.53	5284.63	2348.73	1321.16	845.54
	光圈直径 m	0.22	0.44	0.66	0.88	1.10
20°	照度 lux	9658.27	2414.57	1073.14	603.64	386.33
	光圈直径 m	0.40	0.81	1.21	1.61	2.02
40°	照度 lux	3558.12	889.53	395.35	222.38	142.32
	光圈直径 m	0.75	1.49	2.24	2.98	3.73
45°	照度 lux	3467.95	866.99	385.33	216.75	138.72
	光圈直径 m	0.83	1.66	2.49	3.32	4.14

安装示意图/INSTALLATION DIAGRAM



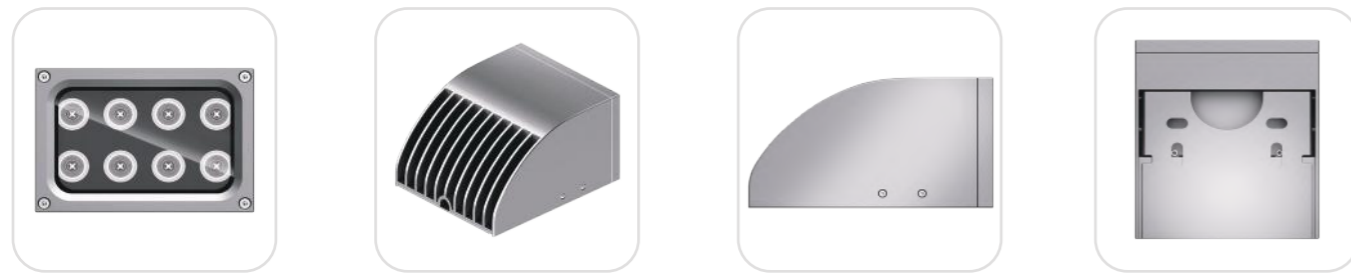
型号信息/MODEL INFORMATION

产品型号 Model	尺寸 Size	功率 Power(Pcs)	电压 Voltage	色温 Color Temperature	角度 Beam Angles	控制协议 Control	芯片品牌 Chips Brand
KMBD-FT3.2-PZ-32A	145*195*240mm	48W (32PCS)	AC220V DC24V	2700K -6500K	8°、10°、13°、15°、 20°、25°、40°、45°	ON/OFF	CREE OSRAM EPISTAR LUMILEDS SANAN
KMBD-FT3.2-PZ-32A/B	145*195*240mm	48W (32PCS)		2200K -6500K 1800K -3000K+4000K -6500K			
KMBD-FT3.2-PZ-32C	145*195*240mm	48W (32PCS)		RGB	15°、25°、45°、60°	DMX512	
KMBD-FT3.2-PZ-32D	145*195*240mm	48W (32PCS)		RGBW			

LED 壁灯 LED WALL LAMPS

KMBD-CCT 1.0

常春藤 1.0



技术参数/PARAMETERS

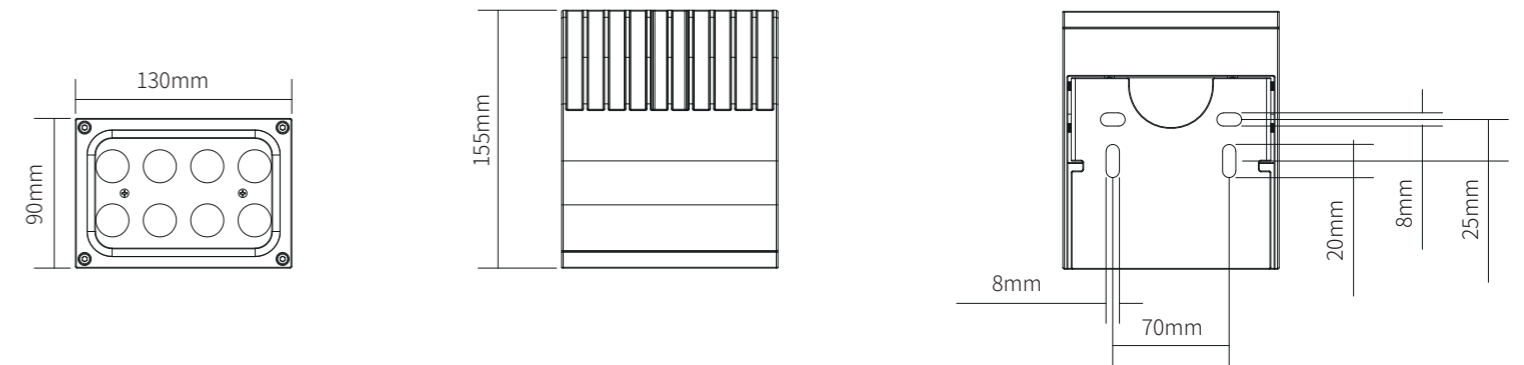
灯体材质: 高强度压铸铝灯体	Housing material: High-strength die-cast aluminum
超钢化玻璃	Ultra-clear tempered glass
防水密封硅胶垫	Waterproof silicone gasket
表面处理: 表面金属粉漆质感喷涂	Surface Finish: Electrostatically applied polyester powder coat
安 装: 可调角度范围:不可调角度	Installation: Non-adjustable brackets
灯具禁止安装在低洼积水处	Luminaires are not allowed to be installed in low-lying water
线 材: ON/OFF :500mm两芯0.75mm ² 止水线	Cable: ON/OFF: 500mm two-core 0.75mm ² sheathed cable (Power cable)
ON/OFF AC220V:500mm三芯0.75mm ² 止水线	ON/OFF AC220V:500 three-core 0.75mm ² anti-siphon cable (Power cable)
DMX512:500mm六芯2*0.75+4*0.3mm ² 护套线	DMX512: 500mm six-core 2*0.75+4*0.3mm ² sheathed cable (Power and signal in a cable)
/五芯2*1+3*0.3mm ² 电源+信号防水接头线	500mm five-core 2*1+3*0.3mm ² (Power and signal in a cable)

产品特性/FEATURES&BENEFITS

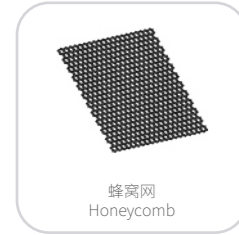
外观设计时尚, 出光效果好, 恰如其分点缀多种安装场景	Stylish design, good light effect, appropriately embellish a variety of installation scenes
宽电压输入方案: 精密的方案设计, 高效输出, 响应节能战略	Wide Voltage Input: Precise electronic scheme, powerful reach and energy-saving.
支持多种数据传输协议DMX512	Support a variety of data transmission protocol :DMX512
多位处理技术: 支持亮度调节, 内置亮灯模式设置, 自动编码	Multi-bit processing technology: Support brightness adjustment, built-in lighting mode setting, automatic coding



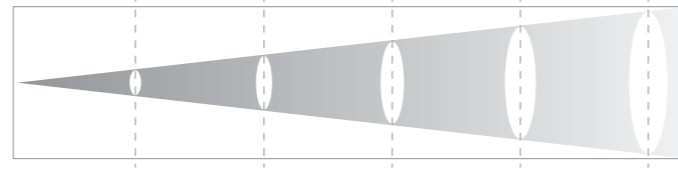
尺寸/DIMENSIONS



EVO 配件/EVO ACCESSORIES



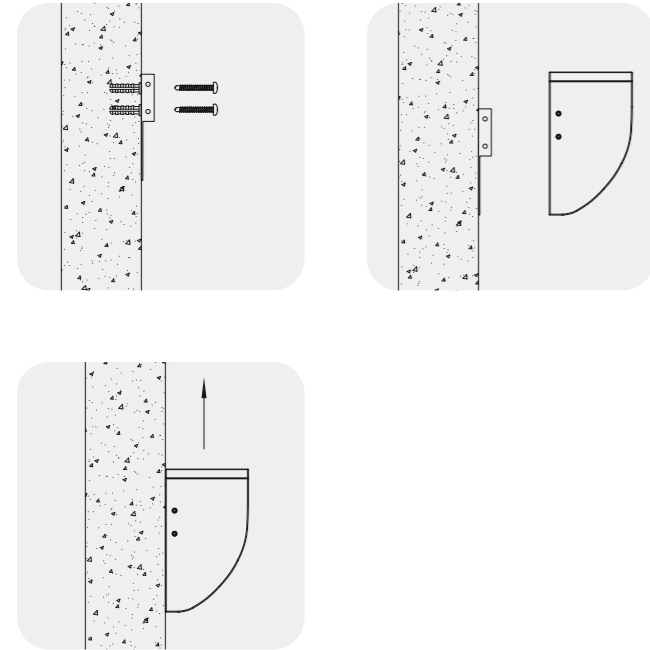
光学数据/OPTICAL DATA



功率/Power 24W

	距离 m	1	2	3	4	5
10°	照度 lux	8899.19	2224.80	988.80	556.20	355.97
	光斑直径m	0.18	0.37	0.55	0.74	0.92
25°	照度 lux	2509.13	627.28	278.79	156.82	100.37
	光斑直径m	0.47	0.95	1.42	1.90	2.37
30°	照度 lux	2205.72	551.43	245.08	137.86	88.23
	光斑直径m	0.51	1.01	1.52	2.03	2.53
40°	照度 lux	2239.33	559.83	248.81	139.96	89.57
	光斑直径m	0.63	1.25	1.88	2.51	3.14

安装示意图/INSTALLATION DIAGRAM

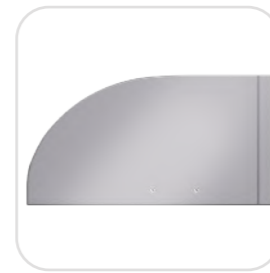


型号信息/MODEL INFORMATION

产品型号 Model	尺寸 Size	功率 Power(Pcs)	电压 Voltage	色温 Color Temperature	角度 Beam Angles	控制协议 Control	芯片品牌 Chips Brand
KMBD-CCT1.0-PZ-8A	130*90*153mm	24W (8PCS)	AC220V DC24V	2700K-6500K	10°、25°、30°、40°	ON/OFF	CREE OSRAM EPISTAR LUMILEDS SANAN
KMBD-CCT1.0-PZ-8A/B		24W (8PCS)	DC24V	2200K-6500K 1800K-3000K+4000K-6500K			
KMBD-CCT1.0-PZ-8C		24W (8PCS)	DC24V	RGB	15°、25°、45°、60°	DMX512	
KMBD-CCT1.0-PZ-8D		24W (8PCS)	DC24V	RGBW			

LED 壁灯 LED WALL LAMPS

KMBD-CCT 2.0
常春藤 2.0



技术参数/PARAMETERS

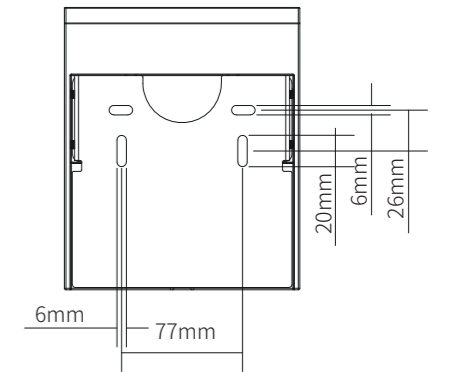
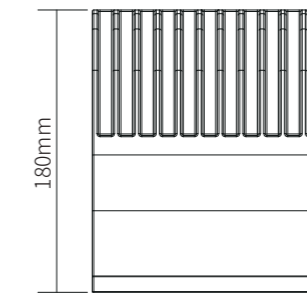
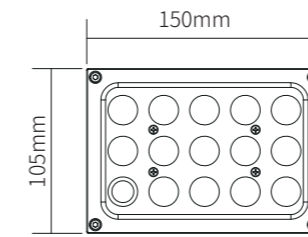
灯体材质: 高强度压铸铝灯体	Housing material: High-strength die-cast aluminum
超白钢化玻璃	Ultra-clear tempered glass
防水密封硅胶垫	Waterproof silicone gasket
表面处理: 表面金属粉质感喷涂	Surface Finish: Electrostatically applied polyester powder coat
安 装: 可调角度范围:不可调角度	Installation: Non-adjustable brackets
灯具禁止安装在低洼积水处	Luminaires are not allowed to be installed in low-lying water
线 材: ON/OFF :500mm两芯0.75mm ² 止水线	Cable: ON/OFF: 500mm two-core 0.75mm ² sheathed cable (Power cable)
ON/OFF AC220V:500mm三芯0.75mm ² 止水线	ON/OFF AC220V:500 three-core 0.75mm ² anti-siphon cable (Power cable)
DMX512:500mm六芯2*0.75+4*0.3mm ² 护套线 /五芯2*1+3*0.3mm ² 电源+信号防水接头线	DMX512: 500mm six-core 2*0.75+4*0.3mm ² sheathed cable (Power and signal in a cable) 500mm five-core 2*1+3*0.3mm ² (Power and signal in a cable)

产品特性/FEATURES&BENEFITS

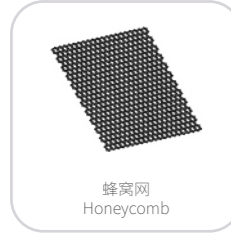
外观设计时尚, 出光效果好, 恰如其分点缀多种安装场景	Stylish design, good light effect, appropriately embellish a variety of installation scenes
宽电压输入方案: 精密的方案设计, 高效输出, 响应节能战略	Wide Voltage Input: Precise electronic scheme, powerful reach and energy-saving.
支持多种数据传输协议DMX512	Support a variety of data transmission protocol :DMX512
多位处理技术: 支持亮度调节, 内置亮灯模式设置, 自动编码	Multi-bit processing technology: Support brightness adjustment, built-in lighting mode setting, automatic coding



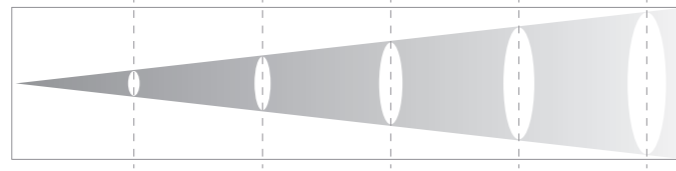
尺寸/DIMENSIONS



EVO 配件/EVO ACCESSORIES



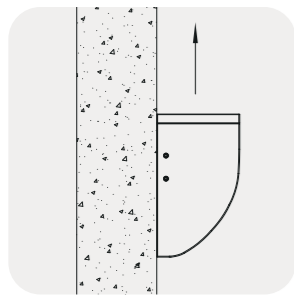
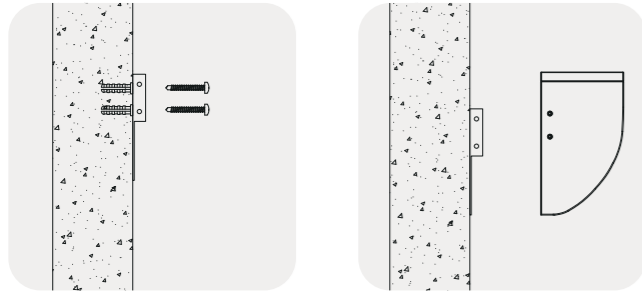
光学数据/OPTICAL DATA



功率/Power 36W

	距离 m	1	2	3	4	5
10°	照度 lux	20266.42	5066.61	2251.82	1266.65	810.66
	光圈直径 m	0.18	0.35	0.53	0.70	0.88
25°	照度 lux	5395.83	1348.96	599.54	337.24	215.83
	光圈直径 m	0.47	0.94	1.41	1.88	2.35
30°	照度 lux	4714.91	1178.73	523.88	294.68	188.60
	光圈直径 m	0.50	1.00	1.50	2.00	2.51
40°	照度 lux	4532.02	1133.01	503.56	283.25	181.28
	光圈直径 m	0.64	1.28	1.91	2.55	3.19

安装示意图/INSTALLATION DIAGRAM

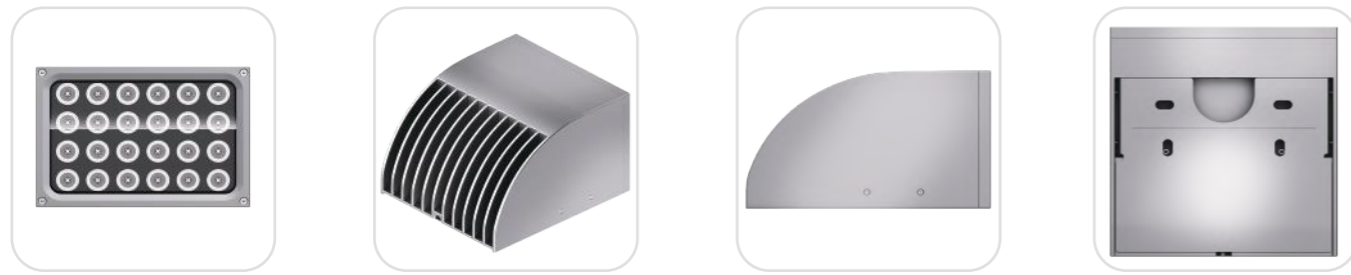


型号信息/MODEL INFORMATION

产品型号 Model	尺寸 Size	功率 Power(Pcs)	电压 Voltage	色温 Color Temperature	角度 Beam Angles	控制协议 Control	芯片品牌 Chips Brand
KMBD-CCT2.0-PZ-15A	150*105*180mm	36W (15PCS)	AC220V DC24V	2700K-6500K	10°、25°、30°、40°	ON/OFF	CREE OSRAM EPISTAR LUMILEDS SANAN
KMBD-CCT2.0-PZ-15A/B		36W (15PCS)	DC24V	2200K-6500K 1800K-3000K+4000K-6500K			
KMBD-CCT2.0-PZ-15C		36W (15PCS)	DC24V	RGB	15°、25°、45°、60°	DMX512	
KMBD-CCT2.0-PZ-15D		36W (15PCS)	DC24V	RGBW			

LED 壁灯 LED WALL LAMPS

KMBD-CCT 3.0
常春藤 3.0



技术参数/PARAMETERS

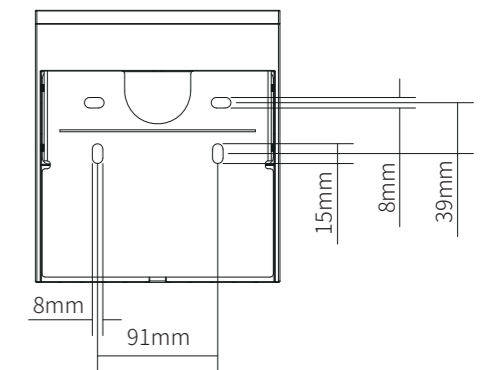
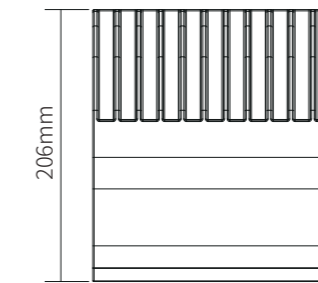
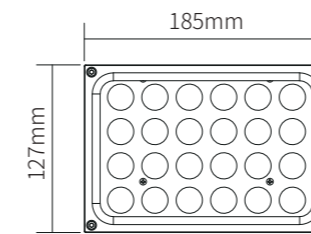
灯体材质: 高强度压铸铝灯体	Housing material: High-strength die-cast aluminum
超白钢化玻璃	Ultra-clear tempered glass
防水密封硅胶垫	Waterproof silicone gasket
表面处理: 表面金属粉漆质感喷涂	Surface Finish: Electrostatically applied polyester powder coat
安 装: 可调角度范围:不可调角度	Installation: Non-adjustable brackets
灯具禁止安装在低洼积水处	Luminaires are not allowed to be installed in low-lying water
线 材: ON/OFF :500mm两芯0.75mm ² 止水线	Cable: ON/OFF: 500mm two-core 0.75mm ² sheathed cable (Power cable)
ON/OFF AC220V:500mm三芯0.75mm ² 止水线	ON/OFF AC220V:500 three-core 0.75mm ² anti-siphon cable (Power cable)
DMX512:500mm六芯2*0.75+4*0.3mm ² 护套线	DMX512: 500mm six-core 2*0.75+4*0.3mm ² sheathed cable (Power and data in one cable)
/五芯2*1+3*0.3mm ² 电源+信号防水接头线	500mm five-core 2*1+3*0.3mm ² (Power and data in one cable)

产品特性/FEATURES&BENEFITS

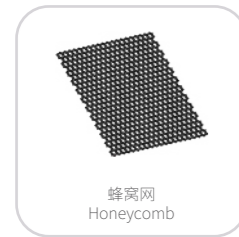
外观设计时尚, 出光效果好, 恰如其分点缀多种安装场景	Stylish design, good light effect, appropriately embellish a variety of installation scenes
宽电压输入方案: 精密的方案设计, 高效输出, 响应节能战略	Wide Voltage Input: Precise electronic scheme, powerful reach and energy-saving.
支持多种数据传输协议DMX512	Support a variety of data transmission protocol :DMX512
多位处理技术: 支持亮度调节, 内置亮灯模式设置, 自动编码	Multi-bit processing technology: Support brightness adjustment, built-in lighting mode setting, automatic coding



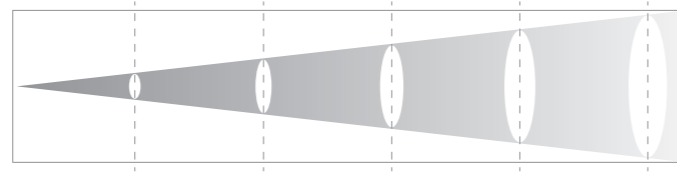
尺寸/DIMENSIONS



EVO 配件/EVO ACCESSORIES



光学数据/OPTICAL DATA



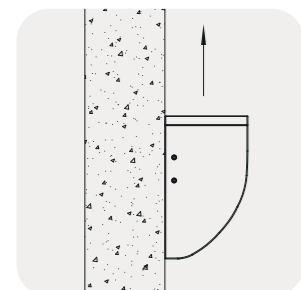
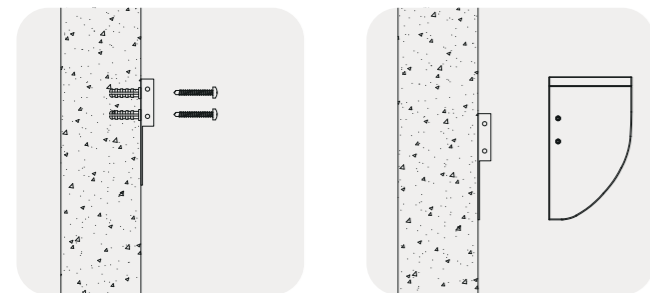
功率/Power 48W

	距离 m	1	2	3	4	5
10°	照度 lux	21174.68	5293.67	2352.74	1323.42	846.99
	光圈直径 m	0.19	0.39	0.58	0.78	0.97
25°	照度 lux	5783.84	1445.96	642.65	361.49	231.35
	光圈直径 m	0.49	0.98	1.47	1.96	2.45
30°	照度 lux	5024.24	1256.06	558.25	314.02	200.97
	光圈直径 m	0.52	1.04	1.56	2.08	2.59
40°	照度 lux	5629.89	1407.47	625.54	351.87	225.20
	光圈直径 m	0.62	1.24	1.87	2.49	3.11

型号信息/MODEL INFORMATION

产品型号 Model	尺寸 Size	功率 Power(Pcs)	电压 Voltage	色温 Color Temperature	角度 Beam Angles	控制协议 Control	芯片品牌 Chips Brand
KMBD-CCT3.0-PZ-24A	185*128*205mm	48W (24PCS)	AC220V DC24V	2700K-6500K	10°、25°、30°、40°	ON/OFF	CREE OSRAM EPISTAR LUMILEDS SANAN
KMBD-CCT3.0-PZ-24A/B		48W (24PCS)	DC24V	2200K-6500K 1800K-3000K+4000K-6500K			
KMBD-CCT3.0-PZ-24C		48W (24PCS)	DC24V	RGB	15°、25°、45°、60°	DMX512	
KMBD-CCT3.0-PZ-24D		48W (24PCS)	DC24V	RGBW			

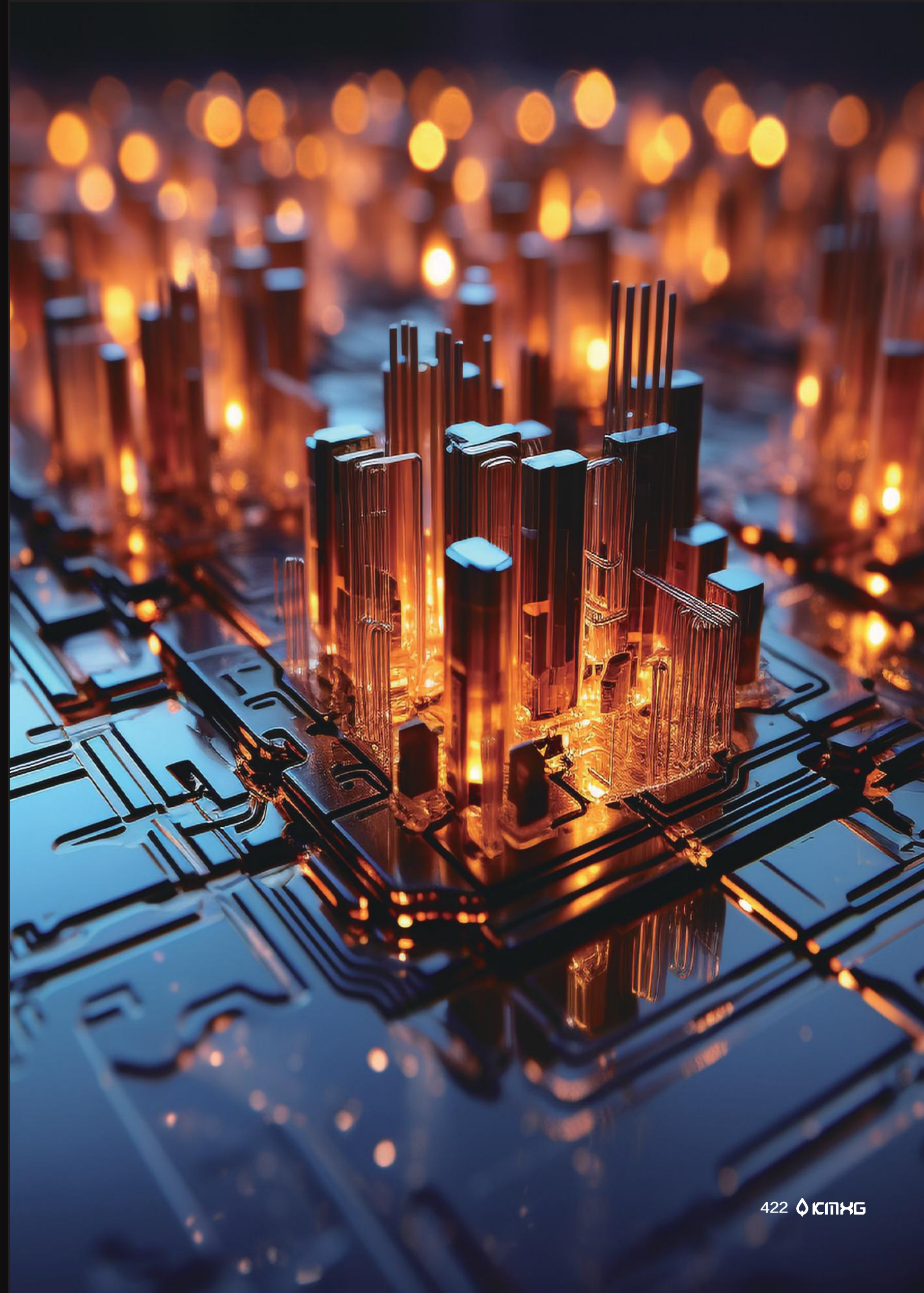
安装示意图/INSTALLATION DIAGRAM



控制系统 CONTROL SYSTEM

户外智能照明控制器是一种先进的照明管理系统,具有广阔的应用前景和重要的现实意义。它通过智能调节、远程控制、定时开关、场景设置等多种功能的应用,能够提高城市照明的品质和效率,节约能源、保护环境、提高安全性、提升城市形象和品质等多方面的优势。户外智能照明控制器的发展和应用,体现了科技进步对提高人们生活品质的贡献,也将会在未来的城市照明管理中发挥更加重要的作用。

Outdoor intelligent lighting controller is an advanced lighting management system, has broad application prospects and important practical significance. it through intelligent adjustment, time, remote control switch, the application of a variety of functions such as setting, can improve the quality and efficiency of urban lighting, save energy, to protect the environment, improve security, to promote city image and quality aspects of advantages. The development and application of outdoor intelligent lighting controller, reflects the contribution of scientific and technological progress to improve people's quality of life, will also play a more important role in the future of urban lighting management.



云控主机/Cloud Controller
KM-YK60E



产品规格/SPECIFICATIONS

型号	Model	KM-YK60E
尺寸	Size	L342mm*W172mm*H57mm
材质	Material	铁 Iron
重量	Weight	1.6KG
输入电压	Input Voltage	AC100V-240V 50/60HZ
功率	Power	≤15W
信号输出协议	Protocol	DMX512/TTL
带载点数	Loads	300,000
通讯方式	Communication mode	联机/脱机/4G Online/offline/4G
接口类型	Port type	RJ45*2/3pin端子Terminal/USB*3
通讯协议	Communication protocol	UDP/TCP/4G/GPS

产品介绍/INTRODUCTION

KM-YK60E是一款高性能嵌入式LED视频服务器，支持多种视频格式解码，可实现最高2K视频输出，具备千兆网等输出方式，并支持远程管理等功能。相比传统PC解决方案，KM-YK60E在室外亮化、文旅等领域展现出更高的灵活性、可靠性和安全性。

支持多种视频解码：

- 1.广泛的兼容性：**KM-YK60E支持H.264、H.265 (HEVC)、MPEG-2、MPEG-4等主流视频编码格式
- 2.高效的处理能力：**强大的硬件解码能力确保高清视频流畅播放，不牺牲图像质量
- 3.灵活的格式支持：**兼容多种视频文件格式，如AVI、MP4、MKV等

支持远程管理、节目单配置：

- 1.远程管理能力：**用户可通过网络远程访问和控制设备，进行实时监控、参数调整和软件更新等操作
 - 2.节目单配置：**支持创建和编辑节目单，按需自动切换视频源，实现无人值守播放
 - 3.安全性与可靠性：**采用严格的安全措施保障设备只被授权用户访问和控制
- KM-YK60E以其多样化的视频解码和支持远程管理、节目单配置的功能，为室外亮化、文旅等场景提供了一套高效、灵活、可靠的解决方案

The KM-YK60E is a high-performance embedded LED video server that supports multiple video format decodings, can achieve up to 2K video output, and includes Gigabit Ethernet outputs. Compared to traditional PC solutions, this dedicated device offers higher flexibility, reliability, and security, making it widely applicable in outdoor lighting, tourism, and cultural events.

Support for Multiple Video Decodings:

- 1.Wide Compatibility:** The KM-YK60E can decode mainstream video coding formats including but not limited to H.264, H.265 (HEVC), MPEG-2, and MPEG-4.
- 2.Efficient Processing Capability:** Its powerful hardware decoding capability ensures smooth playback of high-definition video content without compromising image quality.
- 3.Flexible Format Support:** In addition to common video coding formats, the KM-YK60E also supports various video file formats such as AVI, MP4, and MKV.

Support for Remote Management and Playlist Configuration:

- 1.Remote Management Capabilities:** The KM-YK60E is equipped with robust remote management features that allow users to access and control the device over the network. This includes real-time monitoring of device status, adjustment of video parameters, and software updates.
 - 2.Playlist Configuration:** Users can create and edit playlists to specify video content for different time periods. The KM-YK60E can automatically switch video sources according to the playlist, enabling unattended automatic playback.
 - 3.Security and Reliability:** Both remote management and playlist configuration functions implement strict security measures to ensure that only authorized users can access and control the device.
- The KM-YK60E, with its support for multiple video decodings and remote management and playlist configuration capabilities, provides an efficient, flexible, and reliable solution for outdoor lighting, tourism, and cultural events.

云控主机/Cloud Controller
KM-YK90T



产品规格/SPECIFICATIONS

型号	Model	KM-YK90T
尺寸	Size	L339mm*W62mm*H132mm
材质	Material	铁 Iron
重量	Weight	1.88KG
输入电压	Input Voltage	AC100V-240V 50/60HZ
功率	Power	≤20W
信号输出协议	Protocol	DMX512/TTL
带载点数	Loads	300,000
通讯方式	Communication mode	联机/脱机/4G Online/offline/4G
接口类型	Port type	RJ45*2/3pin端子Terminal/USB*3/HDMI
通讯协议	Communication protocol	UDP/TCP/4G/GPS/WIFI

The KM-YK90T is a high-performance embedded LED video server. It supports decoding of various video formats and can achieve up to 2K video output. It supports output methods such as HDMI and Gigabit Ethernet, and features remote management, security authentication, and other functionalities. Compared to traditional PC-based solutions, this dedicated device offers higher flexibility, reliability, and security, making it widely applicable in outdoor lighting, tourism, and cultural events.

Product Features:

- 1.Supports multiple video decodings
- 2.Supports up to 2K video output
- 3.Supports remote management and playlist configuration
- 4.Supports security authentication

KM-YK90T是一款高性能嵌入式LED视频服务器。支持多种视频格式解码，可实现最高2K视频输出，支持HDMI、千兆网等输出方式，支持远程管理、支持安全认证等多种功能。相较于传统的PC机解决方案，该专用设备具有更高的灵活性、可靠性和安全性，在室外亮化、文旅等场合应用广泛。

产品特点如下：

- 1.支持多种视频解码
- 2.支持最高2K视频输出
- 3.支持远程管理、节目单配置
- 4.支持安全认证

产品介绍/INTRODUCTION

主控器/Main control
KM-ZK5060

产品规格/SPECIFICATIONS

型号	Model	KM-ZK5060
尺寸	Size	L342mm*W172mm*H57mm
材质	Material	铁 Iron
重量	Weight	1.6KG
输入电压	Input Voltage	AC100V-240V 50/60HZ
功率	Power	≤15W
信号输出协议	Protocol	DMX512/TTL
带载点数	Loads	300,000
通讯方式	Communication mode	联机/脱机/4G Online/offline/4G
接口类型	Port type	RJ45*2/3pin端子/USB*3/HDMI
通讯协议	Communication protocol	UDP/TCP/4G/GPS/WIFI

产品介绍/INTRODUCTION

- 1. 联机脱机一体化设计:**
能在有信号时实时控制, 在无信号时自动切换到脱机模式继续播放预设内容
- 2. 标准以太网通讯协议:**
遵循TCP/IP等标准协议, 确保与各种网络设备兼容
可直接连接至交换机或光纤收发器, 实现网络连接或长距离数据传输
- 3. 多灯具集中控制:**
支持多种灯具类型, 通过统一界面集中控制, 实现统一灯光效果
- 4. 在线监测功能:**
实时监测子控制器状态、温度、电压等信息, 确保设备正常运行
- 5. 双向冗余热备份:**
主信号故障时自动切换到备用信号, 保持系统稳定
- 6. H.264视频实时播放:**
支持H.264视频格式实时播放
- 7. 带载能力:**
最大可控制30万像素点, 实现大规模灯光效果
- 8. 本机存储空间与U盘传输:**
内置存储空间, 可通过U盘传输文件后直接使用, 保证文件管理和系统安全

- 1. Integrated Online and Offline Design:**
Capable of real-time control when a signal is available and automatically switching to offline mode to continue playing preset content when there is no signal.
- 2. Standard Ethernet Communication Protocol:**
Follows standard protocols like TCP/IP, allowing direct connection to switches or fiber transceivers for network communication.
- 3. Centralized Control of Multiple Luminaires:**
Supports centralized control of various luminaire types to achieve uniform lighting effects.
- 4. Online Monitoring Function:**
Monitors the status, temperature, voltage, etc., of sub-controllers in real-time to ensure proper operation.
- 5. Bidirectional Redundant Hot Backup:**
Automatically switches to backup signals in case of main signal failure to maintain system stability.
- 6. H.264 Video Real-Time Playback:**
Supports real-time playback of H.264 video format.
- 7. Load Capacity:**
Can control up to 300,000 pixels, enabling large-scale lighting effects.
- 8. Internal Storage and USB Transfer:**
Features built-in storage, with the ability to transfer files via USB and then use them directly from the internal storage.

产品规格/SPECIFICATIONS

型号	Model	KM-ZK9020
尺寸	Size	L288mm*W158mm*H45mm
材质	Material	铁 Iron
重量	Weight	1.57KG
输入电压	Input Voltage	AC100V-240V 50/60HZ
功率	Power	≤15W
信号输出协议	Protocol	DMX512/TTL
带载点数	Loads	300,000
通讯方式	Communication mode	联机/脱机 Online/offline
接口类型	Port type	RJ45*2/HDMI/USB
通讯协议	Communication protocol	UDP/TCP

- KM-ZK9020 is an advanced device designed specifically for landscape control systems. It addresses three major technical challenges commonly found in the market, providing users with smooth, efficient, and convenient experiences.
- Solved Technical Challenges:**
- 1. Stuttering Display at Ultra-High Pixel Counts:** Through optimized hardware and algorithm design, it ensures smooth playback even when handling large amounts of data.
 - 2. Limitations on Offline Program Editing Time:** Allows users to edit and save programs of extended duration, meeting the needs for offline playback.
 - 3. Slow Storage and Read Speeds for Offline Files:** Utilizes high-speed storage technology to guarantee rapid and stable read speeds even for large files.
- Integrated Online and Offline Design:** Supports real-time HDMI input as well as offline video file playback, catering to a variety of scenario requirements.
- High-Definition Resolution Support:** Max resolution support of 1920x1080 provides a high-quality visual experience.
- Compatibility with Video Splicers and Processors:** Can be connected to external devices to enhance display effects and functionality.

主控器/Main control
KM-ZK9020

产品介绍/INTRODUCTION

- KM-ZK9020是一款专为景观控制系统设计的先进设备, 它解决了市场上常见的三大技术难题, 提供流畅、高效和便捷的用户体验。
- 解决的技术难题**
- 1. 超大点数带载画面卡顿:** 通过优化的硬件和算法设计, 保证即使在处理大量数据时也能流畅播放
 - 2. 脱机编辑节目时间限制:** 允许用户编辑并保存长时间的节目, 满足脱机播放需求
 - 3. 脱机文件存储与读取速度慢:** 采用高速存储技术, 确保即使文件庞大也能快速稳定读取
- 联机脱机一体化设计:** 支持实时HDMI输入及脱机播放视频文件, 适应各种场景需求
- 高清分辨率支持:** 最大支持1920x1080分辨率, 提供高质量视觉体验
- 兼容视频拼接器和处理器:** 可连接外部设备以增强显示效果和功能性

主控器/Main control
KM-3F12B



产品规格/SPECIFICATIONS

型号	Model	KM-3F12B
尺寸	Size	L283mm*W134mm*H45mm
材质	Material	铁 Iron
重量	Weight	约1.48KG
输入电压	Input Voltage	AC100V-240V 50/60HZ
功率	Power	≤15W
信号输出协议	Protocol	DMX512/TTL
带载点数	Loads	450,000
通讯方式	Communication mode	联机/脱机 Online/offline
接口类型	Port type	RJ45*2
通讯协议	Communication protocol	UDP/TCP

产品介绍/INTRODUCTION

KM-3F12B控制器具备卓越的性能,支持高达45万通道带载量,满足大规模项目需求。它拥有无限级联、多种备份及恢复机制,确保系统稳定可靠。同时,该控制器兼容多种驱动芯片和灯具,支持远程更新和调试,适用于各种复杂环境和需求。

- 1.带载量最大支持 45 万通道,极大满足客户项目的需求
- 2.总带载通道内,支持分控系统无限级联传输,无任何级联数量限制
- 3.系统支持自动,定时,节日预设效果播放
- 4.控制器带按键和外配遥控器,可实现节目片段选择、亮度调整、白平衡调整、播放速度调整等
- 5.支持脱机一键固定、清除分控 ID 编号,方便现场运用
- 6.支持交换机并联方案:减少系统级联链长度提高稳定性
- 7.支持多回路环形备份,一个控制器坏或者网线断显示不受影响
- 8.支持多台主控实时热备份
- 9.支持 DMX512AP-N/NB、UCS512、TM512、WS2821 等多种驱动芯片脱机写地址10.三基色独立亮度控制,使精确调整白平衡更加简单有效
- 11.支持单色、双色、RGB、RGBW、RGBWY、以及多色混合控制
- 12.采用以太网接口和 UDP 网络协议传输稳定,最大传输距离 100 米
- 13.LCD 显示模块及时显示控制器参数及状态
- 14.SD 卡存储,控制器最大可支持 64G,最多可预设 99 个节目文件
- 15.支持多台脱机主控局域网远程在线下载、更新脱机节目
- 16.内置动画测试程序,方便客户在项目调试和应用
- 17.可支持不同类型灯具以及不同协议灯具混用,兼容性强
- 18.设备网络端口,浪涌冲击防护:1.5KV
- 19.支持严峻工作环境-40°C-80°C下,无故障正常运行

The KM-3F12B controller boasts outstanding performance, supporting up to 450,000 channels, fulfilling the demands of large-scale projects. It features unlimited cascading, various backup and recovery mechanisms, ensuring system stability and reliability. Additionally, the controller is compatible with various driver chips and lighting fixtures, supports remote updates and debugging, making it suitable for a wide range of complex environments and requirements.

- 1.supports up to 450,000 Channels: This greatly meets the needs of customer projects
2. Unlimited Cascading within Total Channel Load: Supports unlimited cascading transmission in sub-control systems, with no limit on the number of cascades
- 3.Automatic, Timed, and Pre-Set Holiday Effects Playback: The system supports automatic, timed, and pre-set holiday effect playback
- 4.Controller with Buttons and Remote Control: Enables selection of program segments, brightness adjustment, white balance adjustment, and playback speed adjustment
- 5.One-Button Fixed and Clearing of Sub-Control IDs: Supports one-button fixed and clearing of sub-control IDs, making field applications easier
- 6.Switch Parallel Connection Scheme: Reduces the length of the system cascade chain and enhances stability
- 7.Multiple Circuit Ring Backup: Ensures that display is unaffected if a controller fails or network cables are disconnected
- 8.Real-Time Hot Backup for Multiple Controllers
- 9.Supports Various Driver Chips for Offline Address Writing: Supports DMX512AP-N/NB, UCS512, TM512, WS2821, and other driver chips for offline address writing
- 10.Independent Brightness Control for RGB: Simplifies precise white balance adjustments
- 11.Supports Single, Dual, RGB, RGBW, RGBWY, and Multi-Color Mixed Control: Supports a wide range of color configurations
- 12.Ethernet Interface and Stable UDP Network Protocol Transmission: Maximum transmission distance of 100 meters
- 13.LCD Display Module: Displays controller parameters and status in real time
- 14.SD Card Storage: Controller supports up to 64GB, with a maximum of 99 preset program files
- 15.Remote Online Download and Update of Offline Programs via Local Area Network: Supports multiple offline controllers
- 16.Built-in Animation Test Program: Facilitates testing and application in projects
- 17.Compatible with Different Types and Protocols of Lamps: Strong compatibility across different lamp types and protocols
- 18.Surge Protection for Network Ports: 1.5KV surge protection
- 19.Supports Harsh Working Environments: Operates without failure in temperatures ranging from -40°C to 80°C

产品规格/SPECIFICATIONS

型号	Model	KM-3F23S (GPS)
尺寸	Size	L283mm*W134mm*H45mm
材质	Material	铁 Iron
重量	Weight	约1.48KG
输入电压	Input Voltage	AC100V-240V 50/60HZ
功率	Power	≤15W
信号输出协议	Protocol	DMX512/TTL
带载点数	Loads	450,000
通讯方式	Communication mode	联机/脱机 Online/offline
接口类型	Port type	RJ45*2
通讯协议	Communication protocol	UDP/TCP

KM-3F23S (GPS) device boasts powerful load capacity and unlimited cascading capabilities, meeting the needs of large-scale projects. It supports GPS satellite synchronization for wireless interlinking, ensuring seamless synchronization across multiple buildings, and features various backup and recovery mechanisms to ensure stable system operation. Additionally, the device is compatible with various types of lighting and protocols, supports remote updates and debugging, providing users with flexible and convenient solutions.

1. The KM-3F23S (GPS) device supports up to 450,000 channels, greatly satisfying project requirements
2. The KM-3F23S (GPS) master controller supports unlimited cascading of sub-controllers, without any limit on the number of cascades
3. It achieves wireless synchronization between multiple devices by receiving GPS satellite signals, catering to situations where synchronization is needed across multiple buildings but wiring is not possible
4. The GPS satellite synchronization wireless coverage has no distance limitations globally
5. The system supports automatic, scheduled, and preset holiday effects playback
6. The controller comes with buttons and an external remote control, enabling selection of program segments, brightness adjustment, white balance adjustment, and playback speed adjustment
7. It supports one-touch address writing for various DMX512 driver chips in offline mode
8. It supports one-touch fixing and clearing of sub-controller IDs, facilitating on-site operations
9. It supports switch parallel connection schemes: reducing the length of system cascades and improving stability
10. It supports real-time hot backup for multiple master controllers
11. It supports dual-path backup, ensuring display is unaffected if a controller fails or the network cable breaks
12. It provides independent brightness control for the three primary colors, making precise white balance adjustments simpler and more effective
13. It supports single-color, dual-color, RGB, RGBW, RGBWY, and mixed-color control
14. It uses Ethernet interfaces and UDP network protocol for stable transmission, with a maximum distance of 100 meters
15. The LCD display module shows the controller parameters and status in real time
16. SD card storage allows the controller to support up to 64GB, storing up to 99 pre-programmed files
17. It supports offline and online partition management for multiple master controllers
18. It supports remote online downloading and updating of offline programs for multiple offline master controllers
19. It includes built-in animation test programs, facilitating testing and application during projects
20. It can support different types of lamps and different protocol lamps used together, demonstrating strong compatibility

主控器/Main control
KM-3F23S (GPS)



产品介绍/INTRODUCTION

KM-3F23S (GPS)设备拥有强大的带载能力和无限级联功能,满足大规模项目需求。它支持GPS卫星同步无线联动,确保多楼宇间无缝同步,并具备多种备份和恢复机制,确保系统稳定运行。此外,该设备兼容多种灯具和协议,支持远程更新和调试,为用户提供了灵活便捷的解决方案。

- 1.KM-3F23S (GPS) 设备带载量最大支持 45 万通道,极大满足客户项目的需求
- 2.KM-3F23S (GPS) 主控器,支持分控器无限级联,无任何级联数量限制
- 3.通过接收 GPS 卫星信号实现多台设备无线联动同步,满足多楼宇间需同步无法连线的情况
- 4.GPS 卫星同步无线覆盖范围,全球无任何距离限制
- 5.系统支持自动,定时,节日预设效果播放
- 6.控制器带按键和外配遥控器,可实现节目片段选择、亮度调整、白平衡调整、播放速度调整等
- 7.支持多种 DMX512 驱动芯片脱机一键写地址
- 8.支持脱机一键固定、清除分控 ID 编号,方便现场运用
- 9.支持交换机并联方案:减少系统级联链长度提高稳定性
- 10.支持多台主控实时热备份
- 11.支持双路备份,一个控制器坏或者网线断显示不受影响
- 12.三基色独立亮度控制,使精确调整白平衡更加简单有效
- 13.支持单色、双色、RGB、RGBW、RGBWY、以及多色混合控制
- 14.采用以太网接口和 UDP 网络协议传输稳定,最大传输距离 100 米
- 15.LCD 显示模块及时显示控制器参数及状态
- 16.SD 卡存储,控制器最大可支持 64G,最多可预设 99 个节目文件
- 17.支持多台主控脱机与联机分区管理功能
- 18.支持多台脱机主控远程在线下载、更新脱机节目
- 19.内置动画测试程序,方便客户在项目调试和应用
- 20.可支持不同类型灯具以及不同协议灯具混用,兼容性强

SPI主控器/SPI Main control
KM-DLZK200



产品规格/SPECIFICATIONS

型号	Model	KM-DLZK200
尺寸	Size	L196mm*W181mm*H48mm
材质	Material	铁 Iron
重量	Weight	1.1KG
输入电压	Input Voltage	AC100V-240V 50/60HZ
功率	Power	10W
信号输出协议	Protocol	UDP/TCP-1000Mbps
带载点数	Loads	650,000*2
通讯方式	Communication mode	联机Online
接口类型	Port type	RJ45*2/USB*1/DIV*1/AUDIO*1
通讯协议	Communication protocol	UDP/TCP

产品介绍/INTRODUCTION

KM-DLZK200 是一款基本款独立主控;内置一张 V30 Pro 发送卡, 带载高达 130 万像素点;具有强大的处理能力、超稳定性及超高性价比。

- 1.1路 DVI 视频信号输入, 通过网线同步传输
- 2.1路 AUDIO 音频输入, 通过网线同步传输
- 3.2 路千兆网口输出, 支持两上下、左右任意拼接
- 4.1 路 USB 接口通讯, 可在同一台 PC 上级联多张发送卡控制
- 5.支持网口环路备份、双主控备份
- 6.支持多种预设分辨率:1024x768、1280X1024、1366x768、1600x1200、1920x1080、2048x1152、2560x960, 并支持分辨率自定义功能
- 7.兼容 30HZ、50HZ、60HZ、120HZ 等多种帧频输入
- 8.支持上位机软件监控发送卡运行参数及状态
- 9.支持配置参数回读支持千兆网误码率检测
- 10.支持配置参数回读
- 11.支持千兆网误码率检测

KM-DLZK200 is a basic standalone controller: it comes equipped with one V30 Pro transmitter card, capable of driving up to 1.3 million pixels; it boasts powerful processing capabilities, ultra-stable performance, and a highly cost-effective price point.

- 1.1-channel DVI video signal input, synchronous transmission through network cable.
- 2.1-channel AUDIO audio input, synchronous transmission through network cable.
- 3.2 channels of Gigabit network ports output, supporting arbitrary splicing of up and down, left and right.
- 4.1-channel USB interface communication, allowing multiple sending cards to be cascaded on the same PC for control.
- 5.Support network port loop backup and dual main controller backup.
- 6.Support multiple preset resolutions: 1024x768, 1280X1024, 1366x768, 1600x1200, 1920x1080, 2048x1152, 2560x960, and support resolution customization function.
- 7.Compatible with multiple frame rate inputs such as 30HZ, 50HZ, 60HZ, and 120HZ.
- 8.Support upper computer software to monitor the operating parameters and status of the sending card.
- 9.Support configuration parameter readback and support Gigabit network error rate detection.
- 10.Support configuration parameter readback.
- 11.Support Gigabit network error rate detection.

SPI主控器/SPI Main control
KM-DLZK400



产品规格/SPECIFICATIONS

型号	Model	KM-DLZK400
尺寸	Size	L480mm*W250.8mm*H44mm
材质	Material	铁 Iron
重量	Weight	2.9Kg
输入电压	Input Voltage	AC100V-240V 50/60HZ
功率	Power	16W
信号输出协议	Protocol	UDP/TCP-1000Mbps
带载点数	Loads	650,000*4
通讯方式	Communication mode	联机Online
接口类型	Port type	RJ45*4/USB*1/DIV*1/AUDIO*1
通讯协议	Communication protocol	UDP/TCP

KM-DLZK400 is a basic standalone controller; it is capable of driving up to 2.6 million pixels; it boasts powerful processing capabilities, ultra-stable performance, and a highly cost-effective price point.

- 1.1 channel DVI and 1 channel HDMI video signal input.
- 2.1 channel AUDIO audio input, synchronous transmission through network cable.
- 3.4 channels of Gigabit network ports output, supporting any splicing of upper and lower, left and right.
- 4.1 channel USB interface communication, allowing multiple sending cards to be cascaded on the same PC for control.
- 5.Support network port loop backup and dual main controller backup.
- 6.Support multiple preset resolutions: 1024X768, 1280x1024, 1366x768, 1600X1200, 1920x1080, 2048x1152, 2560x960, and support resolution customization function.
- 7.Compatible with multiple frame rate inputs such as 30HZ, 50HZ, 60HZ, and 120HZ.
- 8.Support ST EXT expansion board to realize cascaded brightness control and automatic brightness adjustment.
- 9.Support upper computer software to monitor the operating parameters and status of the sending card.
- 10.Support configuration parameter readback.
- 11.Support Gigabit network error rate detection.

KM-DLZK400 是一款基本款独立主控;带载高达 260 万像素点;具有强大的处理能力、超稳定性及超高性价比。

- 1.1 路 DVI 和 1 路 HDMI 视频信号输入
- 2.1 路 AUDIO 音频输入, 通过网线同步传输
- 3.4 路千兆网口输出, 支持两上下、左右任意拼接
- 4.1 路 USB 接口通讯, 可在同一台 PC 上级联多张发送卡控制
- 5.支持网口环路备份、双主控备份
- 6.支持多种预设分辨率:1024X768、1280x1024、1366x768、1600X1200、1920x1080、2048x1152、2560x960, 并支持分辨率自定义功能
- 7.兼容 30HZ、50HZ、60HZ、120HZ 等多种帧频输入
- 8.支持 ST EXT 扩展板实现级联亮度控制和自动亮度调节
- 9.支持上位机软件监控发送卡运行参数及状态
- 10.支持配置参数回读
- 11.支持千兆网误码率检测

产品介绍/INTRODUCTION

控制系统 CONTROL SYSTEM

SPI主控器/SPI Main control KM-DLZK1200



产品介绍/INTRODUCTION

KM-DLZK1200具备多种类的视频信号接收能力、超高清全 4K×2K@60Hz 的图像处理能力和发送能力;可通过网口和光纤口将处理后的视频发送到 LED 显示屏上;并具有强大的处理能力有效提高带载利用率强大的处理能力、超稳定性能及超高性价比。

- 1.丰富的输入接口:拥有 1 路 DP1.2 输入;1 路 HDMI2.0 输入;1 路 AUDIO 音频输入
- 2.多种类输出接口:拥有 12 路千兆网口输出
- 3.多种通讯控制方式:拥有 1 路 USB 接口;1 路串口接口;1 路百兆网接口
- 4.支持网口环路备份、双主控备份
- 5.支持多种预设分辨率;并支持分辨率自定义功能
- 6.兼容30HZ、50HZ、60HZ、120HZ 等多种帧频输入
- 7.支持上位机软件监控发送卡运行参数及状态
- 8.支持配置参数回读
- 9.支持千兆网误码率检测

产品规格/SPECIFICATIONS

型号	Model	KM-DLZK1200
尺寸	Size	L482.6mm*W365mm*H88.9mm
材质	Material	铁 Iron
重量	Weight	5.2KG
输入电压	Input Voltage	AC100V-240V 50/60HZ
功率	Power	70W
信号输出协议	Protocol	UDP/TCP-1000Mbps
带载点数	Loads	650,000*12
通讯方式	Communication mode	联机Online
接口类型	Port type	RJ45*20/OTF*4/DP*1/HDMI*1/AUDIO*1/USB*1/RS232*1/LAN*1/SENSOR*1
通讯协议	Communication protocol	UDP/TCP

KM-DLZK1200 has the ability to receive various types of video signals, as well as the image processing and sending capabilities of ultra - high - definition full 4K×2K@60Hz. It can send the processed video to the LED display through the network port and the optical fiber port. Moreover, it has powerful processing capabilities, which can effectively improve the load - carrying utilization rate, along with super - stable performance and extremely high cost - performance ratio.

- 1.Abundant input interfaces: It has one DP1.2 input, one HDMI2.0 input and one AUDIO audio input.
- 2.Multiple types of output interfaces: It has twelve Gigabit network port outputs.
- 3.Multiple communication control methods: It has one USB interface, one serial port interface and one 100 - megabit network interface.
- 4.It supports network port loop - back backup and dual - master control backup.
- 5.It supports multiple preset resolutions and also supports the custom - made resolution function.
- 6.It is compatible with multiple frame rate inputs such as 30Hz, 50Hz, 60Hz and 120Hz.
- 7.It supports the upper - computer software to monitor the running parameters and status of the sending card.
8. It supports the read - back of configuration parameters.
9. It supports Gigabit network bit - error - rate detection.

产品规格/SPECIFICATIONS

型号	Model	KM-DLZK2000
尺寸	Size	L487mm*W365mm*H89mm
材质	Material	铁 Iron
重量	Weight	5.2KG
输入电压	Input Voltage	AC100V-240V 50/60HZ
功率	Power	70W
信号输出协议	Protocol	UDP/TCP-1000Mbps
带载点数	Loads	650,000*20
通讯方式	Communication mode	联机Online
接口类型	Port type	RJ45*20/OTF*4/DP*1/HDMI*1/AUDIO*1/USB*1/RS232*1/LAN*1/SENSOR*1
通讯协议	Communication protocol	UDP/TCP

KM-DLZK2000 has the ability to receive various types of video signals, ultra-high-definition full 4K×2K @60Hz image processing and transmission capabilities. It can send the processed video to the LED display screen through the network port and optical fiber port. It also has powerful processing capabilities that effectively improve the load utilization rate, along with ultra-stable performance and extremely high cost performance.

- 1.Rich input interfaces: It has 1 DP1.2 input; 1 HDMI2.0 input; 1 AUDIO audio input.
- 2.Multiple types of output interfaces: It has 20 Gigabit network ports output; 4 optical fibers with two-way duplex transmission.
- 3.Multiple communication control methods: It has 1 USB interface; 1 serial port interface; 1 100M network interface.
- 4.Supports network port loop backup and dual-master backup.
- 5.Supports multiple preset resolutions; and also supports the resolution custom function.
- 6.Compatible with multiple frame rates such as 30HZ, 50HZ, 60HZ, 120HZ input.
- 7.Supports the upper computer software to monitor the operating parameters and status of the sending card.
- 8.Supports configuration parameter readback.
- 9.Supports Gigabit network error rate detection.

控制系统 CONTROL SYSTEM

SPI主控器/SPI Main control KM-DLZK2000



产品介绍/INTRODUCTION

KM-DLZK2000具备多种类的视频信号接收能力、超高清全 4K×2K @60Hz 的图像处理能力和发送能力;可通过网口和光纤口将处理后的视频发送到 LED 显示屏上;并具有强大的处理能力有效提高带载利用率强大的处理能力、超稳定性能及超高性价比。

- 1.丰富的输入接口:拥有 1 路 DP1.2 输入;1 路 HDMI2.0 输入;1 路 AUDIO 音频输入
- 2.多种类输出接口:拥有 20 路千兆网口输出;4 路光纤双向双工传输;
- 3.多种通讯控制方式:拥有 1 路 USB 接口;1 路串口接口;1 路百兆网接口
- 4.支持网口环路备份、双主控备份
- 5.支持多种预设分辨率;并支持分辨率自定义功能
- 6.兼容30HZ、50HZ、60HZ、120HZ 等多种帧频输入
- 7.支持上位机软件监控发送卡运行参数及状态
- 8.支持配置参数回读
- 9.支持千兆网误码率检测

SPI主控器/SPI Main control
KM-YTZK10



产品规格/SPECIFICATIONS

型号	Model	KM-YTZK10
尺寸	Size	L156mm*W113mm*H40.5mm
材质	Material	铁 Iron
重量	Weight	0.4KG
输入电压	Input Voltage	DC5V
功率	Power	8W
信号输出协议	Protocol	UDP/TCP -1000Mbps
带载点数	Loads	650,000
通讯方式	Communication mode	脱机 offline
接口类型	Port type	RJ45*1/CONFIG*1/USB2.0*2/HDMI*1/AUDIO*1/SENSOR*1/WIFI/4G/LAN
通讯协议	Communication protocol	UDP/TCP

产品介绍/INTRODUCTION

KM-YTZK10媒体播放器采用高性能 4 核 CPU+4 核 GPU 芯片组并集成发送卡为一体, 具有强大的视频处理能力。

- 1.支持 Android7.1 系统;
- 2.支持手机/iPad、局域网、PC 全方位节目控制及显示屏控制
- 3.支持集群控制, 同步播放。
- 4.支持 WIFI 连接并可做 WIFI 热点
- 5.功耗低, 发热小, 性能稳定可靠适用于宽温度范围
- 6.体积小, 便于安装维护

The KM-YTZK10 media player adopts a high-performance 4-core CPU + 4-core GPU chipset and integrates a sending card as a whole, with powerful video processing capabilities.

- 1.Supports the Android 7.1 system;
- 2.Supports all-round program control and display screen control of mobile phones/i-Pads, local area networks, and PCs;
- 3.Supports cluster control and synchronous playback;
- 4.Supports WIFI connection and can be used as a WIFI hotspot;
- 5.With low power consumption, low heat generation, stable and reliable performance, and suitable for a wide temperature range;
- 6.Small in size and convenient for installation and maintenance.

SPI主控器/SPI Main control
KM-YTZK40



产品规格/SPECIFICATIONS

型号	Model	KM-YTZK40
尺寸	Size	L193mm*W139mm*H42mm
材质	Material	铁 Iron
重量	Weight	0.5KG
输入电压	Input Voltage	DC12V
功率	Power	15W
信号输出协议	Protocol	UDP/TCP -1000Mbps
带载点数	Loads	650,000*2
通讯方式	Communication mode	脱机 offline
接口类型	Port type	RJ45*2/CONFIG*1/USB2.0*2/HDMI*2/AUDIO*1/SENSOR*1/WIFI*2/4G/LAN
通讯协议	Communication protocol	UDP/TCP

The KM-YTZK40 networked player adopts an 8-core high-performance CPU with powerful processing capabilities and integrates a sending card as a whole. It has powerful video processing capabilities and extremely high cost performance. The MB4 has a small size and low power consumption, is suitable for a wide temperature range, and is convenient for installation and maintenance. The MB4 supports 2 network port outputs, with a maximum load of 1.3 million pixels, a maximum width of 3840 pixels, and a maximum height of 2160 pixels.

- 1.Supports synchronous and asynchronous switching;
- 2.Supports HDMI loop output;
- 3.Supports H.265 hard decoding;
- 4.Supports cloud cluster control and management;
- 5.Supports the Android 7.1 system;
- 6.Supports all-round program control and display screen control of mobile phones/i-Pads, local area networks, and PCs;
- 7.Supports WIFI connection and can be used as a WIFI hotspot;
- 8.With low power consumption, stable and reliable performance, and suitable for a wide temperature range;
- 9.Small in size and convenient for installation and maintenance.

产品介绍/INTRODUCTION

KM-YTZK40网络播放器采用 8 核高性能 CPU, 处理能力强大并集成发送卡为一体, 具有强大的视频处理能力和超高性价比。MB4 体积小、功耗低, 适用于宽温度范围, 安装维护方便。MB4支持2网口输出, 最大带载130万像素, 最宽3840像素, 最高2160像素。

- 1.支持异步切换
- 2.支持HDMI 环出
- 3.支持H.265 硬解码
- 4.支持云集群控制管理
- 5.支持Android7.1 系统
- 6.支持手机/iPad、局域网、PC 全方位节目控制及显示屏控制
- 7.支持WIFI 连接并可做WIFI 热点
- 8.功耗低, 性能稳定可靠适用于宽温度范围
- 9.体积小, 便于安装维护

SPI 分控箱/SPI Sub control box
KM-SH100



产品规格/SPECIFICATIONS

型号	Model	KM-SH100
尺寸	Size	L350mm*W254mm*H78mm
材质	Material	镀锌板Galvanizedplate
重量	Weight	3.4KG
输入电压	Input Voltage	AC100V-240V50/60HZ
功率	Power	≤20W
信号输出协议	Protocol	UDP/TCP-100Mbps
信号输出口数量	Number of ports	8
单端口最大带载通道数	Maximum channel load per port	61440
通讯方式	Communication mode	联机 Online
接口类型	Porttype	RJ45*2(1000Mbps)+RJ45*8(100Mbps)
通讯协议	Communication protocol	UDP/TCP-1000Mbps

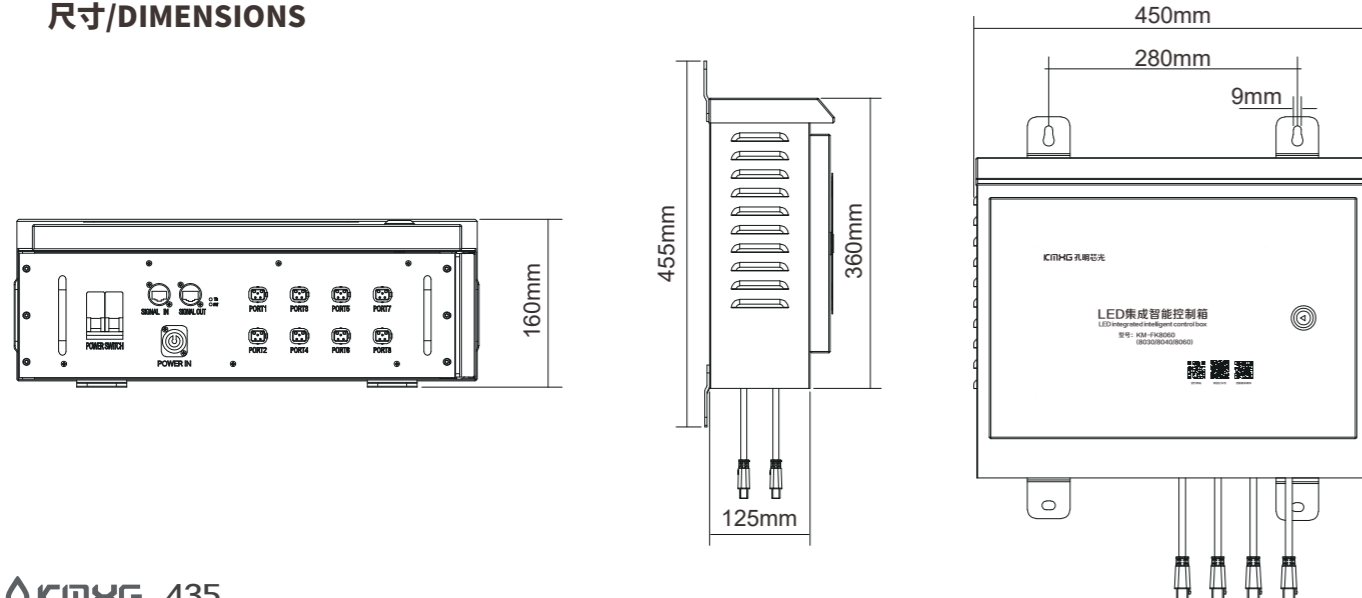
集成智能控制箱/integrated intelligent control box
KM-FK8060 (8030/8040/8060)



产品规格/SPECIFICATIONS

型号	Model	KM-FK8060 (8030/8040/8060)
尺寸	Size	L455mm*W373.2mm*H137mm
材质	Material	镀锌板Galvanized plate
重量	Weight	13KG-15KG
输入电压	Input Voltage	AC85V-305V 50/60HZ
功率	Power	2400W/3400W/4800W
信号输出协议	Protocol	DMX512
信号输出口数量	Number of ports	8
单端口最大带载通道数	Maximum channel load per port	1536
通讯方式	Communication mode	联机/脱机 Online/offline
接口类型	Porttype	RJ45*2/五芯接头5-core connector*8
通讯协议	Communication protocol	UDP/TCP

尺寸/DIMENSIONS



电源箱
Integrated power supply box

产品规格/SPECIFICATIONS

型号	Model	KM-DX3K (3K/6K/9K/12K)
尺寸	Size	L455mm*W373.2mm*H137mm
材质	Material	镀锌板 Galvanized plate
重量	Weight	9KG/12KG/15KG/18KG
输入电压	Input Voltage	AC85V-305V50/60HZ
输出电压	Out Voltage	DC48V±5%
功率	Power	2400W/4800W/7200W/9600W
信号输出口数量	Number of ports	5/9/13/17
接口类型	Port type	PG20
防护等级	IP Rating	IP65



分控箱/Sub control box
KM-FK2030



产品规格/SPECIFICATIONS

型号	Model	KM-FK2030
尺寸	Size	L350*W254*H78
材质	Material	冷轧板 SPCC
重量	Weight	1.57KG
输入电压	Input Voltage	AC100V-240V 50/60HZ
功率	Power	≤15W
信号输出协议	Protocol	DMX512/SPI
信号输出口数量	Number of ports	8
单端口最大带载通道数	Maximum channel load per port	1024
通讯方式	Communication mode	联机/脱机 Online/offline
接口类型	Porttype	RJ45*2/4pin 端子Terminal*8
通讯协议	Communication protocol	UDP/TCP

KM-FK2060



产品规格/SPECIFICATIONS

型号	Model	KM-FK2060
尺寸	Size	L350*W254*H78
材质	Material	冷轧板 SPCC
重量	Weight	0.77KG
输入电压	Input Voltage	AC100V-240V 50/60HZ
功率	Power	≤15W
信号输出协议	Protocol	DMX512
信号输出口数量	Number of ports	8
单端口最大带载通道数	Maximum channel load per port	1024
通讯方式	Communication mode	联机/脱机 Online/offline
接口类型	Porttype	RJ45*2/4pin 端子Terminal*8
通讯协议	Communication protocol	UDP/TCP

分控器/Sub control
KM-228DW

产品规格/SPECIFICATIONS

型号	Model	KM-228DW
尺寸	Size	L283mm*W134mm*H45mm
材质	Material	铁 Iron
重量	Weight	约1.48KG
输入电压	Input Voltage	AC100V-240V 50/60HZ
功率	Power	≤15W
信号输出协议	Protocol	DMX512
信号输出口数量	Number of ports	8
单端口最大带载通道数	Maximum channel load per port	1536
通讯方式	Communication mode	联机/脱机 Online/offline
接口类型	Porttype	RJ45*2/5pin 端子Terminal*8
通讯协议	Communication protocol	UDP/TCP



产品介绍/INTRODUCTION

The KM-228DW controller supports standard and extended DMX512 protocols, offering high grayscale control and accurate gamma correction for true color and detail reproduction. It uses an Ethernet interface and UDP protocol, supporting dual-path backup and auto-adaptive network speed, ensuring project stability and reliability, meeting requirements for high-definition displays and color mixing control.

Key Features:

1. Supports standard USITT DMX512/1990 and extended DMX512 protocols.
2. Supports TTL serial zero code protocol and multiple chip selection.
3. ADRI/PO outputs automatically address DMX512 channels and support various driver chips.
4. Addressing signal output is compatible with differential signals, increasing transmission distance.
5. Independent brightness control for primary colors simplifies white balance adjustment.
6. Supports single-color, dual-color, RGB, RGBW, RGBWY, and multi-color mixing control.
7. 32-65536 grayscale conventional control, optimized to 262,144 grayscale levels.
8. Precise adjustable gamma correction algorithm for better human visual perception and richer color display.
9. Maximum support for 120 frame refresh rate.
10. Uses an Ethernet interface and UDP network protocol for stable transmission, with a maximum distance of 100 meters.
11. An LCD display module shows controller parameters and status.
12. Dual RJ45 network interfaces allow for mixed daisy-chaining between controllers and automatic detection.
13. Eight output ports, each outputting 512 standard channels; load capacity for extended protocols depends on chip characteristics.
14. Supports dual-path backup; display remains unaffected if a controller fails or the network cable breaks.
15. Auto-adapts to gigabit/hundred-megabit speeds or can be set to forced hundred-megabit speed.

KM-228DW控制器支持标准与扩展DMX512协议,具备高灰度级控制和精准伽马矫正,能真实还原图像色彩和细节。它采用以太网接口和UDP协议,支持双路备份和自适应网络速度,确保项目稳定可靠,满足高清显示和多种颜色混合控制需求。

1. KM-228DW 支持标准 USITT DMX512/1990 通用协议和扩展 DMX512 协议
2. KM-228DW 支持 TTL 串行归零码协议,支持多芯片选择
3. 控制器信号输出 ADRI/PO 端可实现 DMX512 通道自动寻址,支持 DMX512AP-N/NB、UCS512、MY7221、WS2821、UCS512C、SM16512 等驱动芯片
4. KM-228DW 控制器编址信号输出兼容输出差分信号,提高了编址信号的传输距离,利于项目应用中编址线长距离的传输及有效编址
5. 三基色独立亮度控制,使精确调整白平衡更加简单
6. 支持单色、双色、RGB、RGBW、RGBWY、以及多色混合控制
7. 32-65536 级灰度常规控制,深度优化可达 262144 灰度级,可真实还原图像色彩和细节
8. 精准可调伽马矫正算法,更加符合人体视觉感光特性,显示色彩更充分丰富,使设计者动画或视频效果完美体现
9. 最大支持 120 帧频率以保证画面高清显示和 3D 显示需求
10. 采用以太网接口和 UDP 网络协议传输稳定,最大传输距离 100 米
11. LCD 显示模块及时显示控制器参数及状态
12. 双 RJ45 网络接口,可以实现控制器间混合级联;控制器自动检测,软件直观显示连接状态
13. 8 端口输出,单口输出标准 512 通道,扩展协议带载点数由客户根据芯片特性自行测试
14. 支持双路备份,一个控制器坏或者网线断显示不受影响
15. 千/百兆自适应或者强制百兆可设,保证大点数的项目更稳定

控制系统 CONTROL SYSTEM

分控器/Sub control KM-228R(RDM)



产品介绍/INTRODUCTION

- 1.KM-228R (RDM) 输出基于标准DMX512-A协议,全面支持标准RDM技术标准协议;[该协议由ESTA提出,经ANSI认证的RDM协议(基于DMX512链路实现的灯光设备远程管理协议),支持E1.20-2006及向下兼容版本。]
- 2.KM-228R (RDM) 配合标准RDM(远程设备管理)协议灯具可进行状态实时监测;支持远程读写(搜索发现)RDM设备唯一ID、UID修改DMX地址、回读RDM设备固件版本号、温度实时监测、电流实时监测、电压实时监测、灯具在线监测运行时间、实时灯具故障报错,并屏蔽故障灯点、灯具通讯状态实时监测
- 3.KM-228R (RDM) 支持标准USITT DMX512/1990通用协议和扩展DMX512协议
- 4.KM-228R (RDM) 支持无限级联传输,无任何级联数量限制
- 5.三色色独立亮度控制,使精确调整白平衡更加简单有效
- 6.支持单色、双色、RGB、RGBW、RGBWY、以及多色混合控制
- 7.32-65536灰度16Bit常规控制,深度优化可达262144灰度,可真实还原图像色彩和细节
- 8.精准可调Gamma校正算法,更加符合人体视觉感光特性,显示色彩更充分丰富,使设计者动画或视频效果完美体现;
- 9.支持开启与关闭写入DMX地址与参数功能
- 10.最大支持120换帧频率以保证画面高清显示和3D显示需求
- 11.采用以太网接口和UDP网络协议传输稳定,最大传输距离100米
- 12.LCD显示模块及时显示控制器参数及状态
- 13.双RJ45网络接口,可以实现控制器间混合级联;控制器自动检测,软件直观显示连接状态
- 14.支持IP分组功能,使用交换机并联方案,减少系统级联链长度,并提高系统的稳定性
- 15.8端口输出,单口输出标准512通道,扩展协议带载点数由客户根据芯片特性自行测试
- 16.支持双路备份,一个控制器坏或者网线断显示不受影响;
- 17.支持设备端口之间抗干扰和漏电设计,单一端口受到干扰或故障不影响其他端口工作
- 18.分控8端口之间采用专利磁耦全隔离方案,并支持双向通讯DMX/RDM(远程设备管理)
- 19.设备端口具备过流过压保护,使得设备可安全可靠长期运行;
- 20.千/百兆自适应或者强制百兆可设,保证大点数的项目更稳定
- 21.设备网络端口、端口输出,浪涌冲击防护:1.5KV
- 22.支持严峻工作环境-40°C-80°C下,无故障正常运行
- 23.支持设备固件在线一键升级

产品规格/SPECIFICATIONS

型号	Model	KM-228R(RDM)
尺寸	Size	L283mm*W134mm*H45mm
材质	Material	铁Iron
重量	Weight	约1.48KG
输入电压	Input Voltage	AC100V-240V±15%Vac50/60HZ
功率	Power	≤15W
信号输出协议	Protocol	DMX512(RDM)
信号输出口数量	Number of ports	8
单端口最大带载通道数	Maximum channel load per port	512
通讯方式	Communication mode	联机/脱机 Online/offline
接口类型	Porttype	RJ45*2/5pin端子Terminal*8
通讯协议	Communication protocol	UDP/TCP

1. The KM-228R (RDM) operates on the DMX512-A protocol, fully supporting RDM (Remote Device Management) as per E1.20-2006 standards.
2. It enables real-time monitoring of RDM-compatible lighting fixtures, including remote read/write capabilities, firmware updates, temperature, current, and voltage monitoring, operational time tracking, and error reporting.
3. Supports standard USITT DMX512/1990 and extended DMX512 protocols.
4. Unlimited daisy-chaining capability without any limit on the number of devices.
5. Independent brightness control for the three primary colors for precise white balance adjustment.
6. Capable of controlling single, dual, RGB, RGBW, RGBWY, and multi-color configurations.
7. 16-bit grayscale control from 32 to 65536, with optimization up to 262144 for accurate color reproduction.
8. Adjustable gamma correction for enhanced color richness and visual perception.
9. Enables setting DMX addresses and parameters remotely.
10. Supports up to 120 frame refresh rate for high-definition and 3D display.
11. Ethernet interface with UDP protocol, stable transmission up to 100 meters.
12. LCD display for showing controller parameters and status.
13. Dual RJ45 network interfaces for mixed daisy-chaining and automatic connection status detection.
14. Supports IP grouping for reduced system chain length and enhanced stability.
15. Eight output ports, each providing 512 standard channels; the number of supported points for extended protocols depends on the chip characteristics.
16. Dual-path backup for continuous operation in case of controller failure or cable breakage.
17. Interference and leakage protection between device ports for independent operation under faults.
18. Patented magnetic coupling full isolation between the eight control ports, supporting bidirectional DMX/RDM communications.
19. Overcurrent and overvoltage protection for safe long-term operation.
20. Auto-adapts to gigabit/hundred-megabit speeds or can be set to forced hundred-megabit speed.
21. Surge protection on device network ports and output ports: 1.5 kV.
22. Reliable operation in extreme temperatures (-40°C to 80°C).
23. Supports one-click online firmware upgrade.

控制系统 CONTROL SYSTEM

分控器/Sub control KM-A28D(ArtNet)



产品介绍/INTRODUCTION

- KM-A28D 控制系统是基于以太网络的 ArtNet 协议实现通讯传输,并上位机软发送多路通道数据以 DMX512 协议形式发送于 DMX512 灯具。
- 1.输入支持 ArtNet 协议,基于 TCP/IP 以太网控制协议,实现灯光管理控制
 - 2.2-65536 级灰度控制,可真实还原图像色彩和细节
 - 3.控制器输出支持标准 USITT DMX512/1990 通用协议和扩展协议
 - 4.每台设备支持 64 个域,即每个端口可拓展 8 倍即 4096 通道(需结合芯片性能)
 - 5.用户可设置两个不同 IP 地址
 - 6.可设置不同的网段,避免在同一网络中有多组 ArtNet 数据相互干扰
 - 7.精准伽马校正算法,更加符合人体视觉感光特性,显示色彩更充分,丰富
 - 8.支持单色、双色、RGB、RGBW、RGBWY、以及多色混合控制
 - 9.支持 IP 分组功能,使用交换机并联方案,减少系统级联链长度,并提高系统的稳定性
 - 10.最大支持 120 换帧频率以保证画面高清显示和 3D 显示需求
 - 11.支持双路备份,一个控制器坏或者网线断显示不受影响
 - 12.双 RJ45 网络接口,可以实现控制器间混合级联;控制器自动检测,软件直观显示连接状态

产品规格/SPECIFICATIONS

型号	Model	KM-A28D (ArtNet)
尺寸	Size	L283mm*W134mm*H45mm
材质	Material	铁Iron
重量	Weight	约1.48KG
输入电压	Input Voltage	AC100V-240V 50/60HZ
功率	Power	≤15W
信号输出协议	Protocol	DMX512
信号输出口数量	Number of ports	8
单端口最大带载通道数	Maximum channel load per port	512
通讯方式	Communication mode	联机/脱机 Online/offline
接口类型	Porttype	RJ45*2/3pin端子Terminal*8
通讯协议	Communication protocol	TCP/ArtNet

KM-A28D Control System is based on ArtNet protocol for communication and sends data to DMX512 lights via the DMX512 protocol from the host software.

- 1.Supports ArtNet protocol over TCP/IP Ethernet for light control.
- 2.Has 2-65536 level grayscale control for good color and detail.
- 3.Outputs follow standard USITT DMX512/1990 protocol and extended protocol.
- 4.Supports 64 domains, which means each port can expand to 4096 channels (based on chip capability).
- 5.Allows setting of two different IP addresses.
- 6.Can use different network segments to avoid interference between ArtNet data.
- 7.Uses accurate gamma correction for better color display.
- 8.Supports single, dual, RGB, RGBW, RGBWY, and mixed colors.
9. Supports IP grouping with switches for stability.
- 10.Can handle up to 120 frames per second for high-quality display.
- 11.Has dual backup to keep working even if one controller or cable fails.
- 12.Has two RJ45 network ports for connecting controllers and shows connection status in software.

控制系统 CONTROL SYSTEM

分控器/Sub control KM-228A



产品介绍/INTRODUCTION

KM-228A控制器支持多芯片与双信号模式，具有无限级联、高灰度控制及多种颜色混合控制能力。它采用精准Gamma矫正，支持高达120帧频率，确保高清显示。此外，该控制器还具备强大的抗干扰与保护设计，可在极端温度下稳定运行。

- 1.KM-228A 支持 TTL 串行归零码协议，支持多芯片选择
- 2.控制器输出兼容 TTL 电平信号和差分信号双模式
- 3.KM-228A 分控器支持无限级联传输，无任何级联数量限制
- 4.32-65536 灰度 16Bit 常规控制，深度优化可达 262144 灰度，可真实还原图像色彩和细节
- 5.三基色独立亮度控制，使精确调整白平衡更加简单有效
- 6.支持单色、双色、RGB、RGBW、RGBWY、以及多色混合控制
- 7.精准可调 Gamma 矫正算法，更加符合人体视觉感光特性，显示色彩更充分丰富，使设计者动画或视频效果完美体现
- 8.最大支持 120 帧频率以保证画面高清显示和 3D 显示需求
- 9.采用以太网接口和 UDP 网络协议传输稳定，最大传输距离 100 米
- 10.LCD 显示模块及时显示控制器参数及状态
- 11.支持设备 ID 号数据流顺序排列与固定排列
- 12.双 RJ45 网络接口，可以实现控制器间混合级联；控制器自动检测，软件直观显示连接状态
- 13.多种芯片控制集于一体，通过软件设置更改控制芯片类型、时钟频率、占空比、灰度级等参数
- 14.8 端口输出，单口带载点数不受限制，带载点数由客户根据芯片特性自行测试
- 15.支持双路备份，一个控制器坏或者网线断显示不受影响
- 16.支持设备端口之间抗干扰和漏电设计，单一端口受到干扰或故障不影响其他端口工作
- 17.设备端口具备过流过压保护，使得设备可安全可靠长期运行
- 18.设备网络端口、端口输出，浪涌冲击防护：1.5KV
- 19.支持严峻工作环境 -40°C-80°C下，无故障正常运行

产品规格/SPECIFICATIONS

型号	Model	KM-228A
尺寸	Size	L283mm *W134mm*H45mm
材质	Material	铁 Iron
重量	Weight	约1.48KG
输入电压	Input Voltage	AC100V-240V 50/60HZ
功率	Power	≤15W
信号输出协议	Protocol	DMX512/TTL
信号输出口数量	Number of ports	8
单端口最大带载通道数	Maximum channel load per port	1536
通讯方式	Communication mode	联机/脱机 Online/offline
接口类型	Porttype	RJ45*2/5pin 端子Terminal*8
通讯协议	Communication protocol	UDP/TCP

The KM-228A controller supports multi-chip and dual signal modes, with unlimited cascading, high grayscale control, and versatile color mixing. It employs precise gamma correction and supports up to 120 frame refresh rates, ensuring high-definition display. The controller also has robust interference resistance and protective design, enabling stable operation under extreme temperatures.

Key Features:

1. Supports TTL serial zero code protocol and multi-chip selection.
2. Output is compatible with TTL level and differential signals.
3. Unlimited cascading capability.
4. 32-65536 grayscale 16-bit control, optimized to 262,144 grayscales.
5. Independent brightness control for primary colors.
6. Supports various color control options.
7. Precise adjustable gamma correction algorithm.
8. Supports up to 120 frame refresh rates.
9. Uses Ethernet interface and UDP network protocol.
10. LCD display module for showing parameters and status.
11. Supports device ID data stream sequencing and fixed arrangement.
12. Dual RJ45 network interfaces for mixed cascading.
13. Multiple chip controls integrated into one.
14. Eight output ports with no limit on the number of points per port.
15. Supports dual backup.
16. Supports interference resistance and leakage protection.
17. Overcurrent and overvoltage protection.
18. Surge protection: 1.5kV.
19. Supports harsh operating environments from -40°C to 80°C.

产品规格/SPECIFICATIONS

型号	Model	KM-328DW
尺寸	Size	L283mm *W134mm*H45mm
材质	Material	铁 Iron
重量	Weight	约1.48KG
输入电压	Input Voltage	AC100V-240V 50/60HZ
功率	Power	≤15W
信号输出协议	Protocol	DMX512
信号输出口数量	Number of ports	8
单端口最大带载通道数	Maximum channel load per port	1536
通讯方式	Communication mode	脱机 offline
接口类型	Porttype	RJ45
通讯协议	Communication protocol	UDP/TCP

The KM-328DW controller supports the standard USITT DMX512/1990 protocol and extensions, compatible with various driver chips. It has the ability to transmit addressing signals over long distances and produce rich color display effects. The system uses 32-65536 level grayscale control and supports multiple color mixing controls. It also includes built-in test programs that greatly facilitate the debugging and application of lighting projects.

Features:

- 1.Support for Standard DMX512 Protocols:The controller's output supports the standard USITT DMX512/1990 universal protocol and extended DMX protocols.
2. Automatic Addressing of DMX Channels:The ADRI/PO output terminals enable automatic addressing of DMX512 channels, supporting DMX512AP-N/NB, UCS512, MY7221, WS2821, SM16512, TM512, and GS8511 driver chips.
- 3.Long-Distance Transmission of Addressing Signals:The controller's addressing signal output is compatible with differential signal output, which increases the transmission distance of addressing signals and facilitates long-distance transmission in project applications.
4. Scheduled Effects Playback:The system supports automatic, timed, and preset holiday effect playback.
- 5.Accurate Gamma Correction:Precise gamma correction algorithms better match human visual characteristics, producing more vivid colors and ensuring that the designer's animations or video effects are accurately represented.
6. High Frame Rate Support: It supports a maximum frame rate of 120 Hz to ensure high-definition image display and meet 3D display requirements.
7. Controller Controls and Remote Control:The controller comes with buttons and a remote control, allowing selection of program segments, adjustment of brightness and white balance, and control of playback speed.
- 8.LCD Display Module: An LCD display module shows the controller parameters and status in real time.
- 9.Advanced Grayscale Control:32-65536 level grayscale control ensures realistic reproduction of image colors and details.
10. Independent Brightness Control for Primary Colors: Independent brightness control for red, green, and blue (RGB) enables precise adjustment of white balance.
11. Multiple Color Control Options:Supports single-color, dual-color, RGB, RGBW, RGBWY, and mixed-color control.
12. SD Card Storage: The controller supports SD cards up to 32GB, storing up to 99 pre-programmed files.
13. 8-Port Output:The controller has 8 output ports, each providing a standard 512-channel output. The number of controllable points per port using extended protocols depends on the specific chip characteristics and must be tested by the customer.
14. Built-in Animation Test Program: Includes an animation test program to facilitate debugging and application during projects.

控制系统 CONTROL SYSTEM

一体机/All-in-one machine KM-328DW



产品介绍/INTRODUCTION

KM-328DW控制器支持标准DMX512协议及扩展，兼容多种驱动芯片，具有长距离传输编址信号和丰富色彩显示效果的能力。它采用32-65536级灰度控制，支持多种颜色混合控制，内置测试程序，极大地方便了灯光项目的调试与应用。

- 1.控制器输出支持标准 USITT DMX512/1990 通用协议和扩展 DMX 协议；
- 2.控制器信号输出ADRI/PO端可实现DMX512 通道自动编址, 支持 DMX512AP-N/NB、UCS512、MY7221、WS2821、SM16512、TM512、GS8511 等驱动芯片
- 3.KM-328DW控制器编址信号输出兼容输出差分信号，提高了编址信号的传输距离，利于项目应用中编址线长距离的传输及有效编址
- 4.系统支持自动，定时，节日预设效果播放
- 5.精准伽马矫正算法，更加符合人体视觉感光特性，显示色彩更充分丰富，使设计者动画或视频效果完美体现
- 6.最大支持 120 帧频率以保证画面高清显示和 3D 显示需求
- 7.控制器带按键和外配遥控器，可实现节目片段选择、亮度调整、白平衡调整、播放速度调整等
- 8.LCD 显示模块及时显示控制器参数及状态
- 9.32-65536 级灰度控制，可真实还原图像色彩和细节
- 10.三基色独立亮度控制，使精确调整白平衡更加简单有效
- 11.支持单色、双色、RGB、RGBW、RGBWY、以及多色混合控制
- 12.SD 卡存储，控制器最大可支持 32G，最多可预设 99 个节目文件
- 13.8 端口输出，单口输出标准 512 通道，扩展协议带载点数由客户根据芯片特性自行测试
- 14.内置动画测试程序，方便客户在项目调试和应用

控制系统 CONTROL SYSTEM

一体机/All-in-one machine KM-328WS(GPS)



产品规格/SPECIFICATIONS

型号	Model	KM-328WS(GPS)
尺寸	Size	L283mm*W134mm*H45mm
材质	Material	铁 Iron
重量	Weight	约1.48KG
输入电压	Input Voltage	AC100V-240V 50/60HZ
功率	Power	≤15W
信号输出协议	Protocol	DMX512
信号输出口数量	Number of ports	8
单端口最大带载通道数	Maximum channel load per port	1536
通讯方式	Communication mode	脱机 offline
接口类型	Porttype	RJ45
通讯协议	Communication protocol	UDP/TCP

产品介绍/INTRODUCTION

KM-328WS(GPS)控制器支持标准DMX512协议及扩展,兼容多种驱动芯片,具有长距离传输编址信号和丰富色彩显示效果的能力。它采用32-65536级灰度控制,支持多种颜色混合控制,内置测试程序,极大地方便了灯光项目的调试与应用。

- 1.控制器输出支持标准 USITT DMX512/1990 通用协议和扩展 DMX 协议;
- 2.控制器信号输出ADRI/PO端可实现DMX512 通道自动编址,支持 DMX512AP-N/NB、UCS512、MY7221、WS2821、SM16512、TM512、GS8511 等驱动芯片
- 3.KM-328DW控制器编址信号输出兼容输出差分信号,提高了编址信号的传输距离,利于项目应用中编址线长距离的传输及有效编址
- 4.系统支持自动,定时,节日预设效果播放
- 5.精准伽马矫正算法,更加符合人体视觉感光特性,显示色彩更充分丰富,使设计者动画或视频效果完美体现
- 6.最大支持 120 帧刷新率以保证画面高清显示和 3D 显示需求
- 7.控制器带按键和外配遥控器,可实现节目片段选择、亮度调整、白平衡调整、播放速度调整等
- 8.LCD 显示模块及时显示控制器参数及状态
- 9.32-65536 级灰度控制,可真实还原图像色彩和细节
- 10.三基色独立亮度控制,使精确调整白平衡更加简单有效
- 11.支持单色、双色、RGB、RGBW、RGBWY、以及多色混合控制
- 12.SD 卡存储,控制器最大可支持 32G,最多可预设 99 个节目文件
- 13.8 端口输出,单口输出标准 512 通道,扩展协议带载点数由客户根据芯片特性自行测试
- 14.内置动画测试程序,方便客户在项目调试和应用

KM-328WS(GPS) controller supports the standard USITT DMX512/1990 protocol and extensions, compatible with various driver chips. It has the ability to transmit addressing signals over long distances and produce rich color display effects. The system uses 32-65536 level grayscale control and supports multiple color mixing controls. It also includes built-in test programs that greatly facilitate the debugging and application of lighting projects.

Features:

- 1.Support for Standard DMX512 Protocols:The controller's output supports the standard USITT DMX512/1990 universal protocol and extended DMX protocols.
2. Automatic Addressing of DMX Channels:The ADRI/PO output terminals enable automatic addressing of DMX512 channels, supporting DMX512AP-N/NB, UCS512, MY7221, WS2821, SM16512, TM512, and GS8511 driver chips.
- 3.Long-Distance Transmission of Addressing Signals:The controller's addressing signal output is compatible with differential signal output, which increases the transmission distance of addressing signals and facilitates long-distance transmission in project applications.
4. Scheduled Effects Playback:The system supports automatic, timed, and preset holiday effect playback.
- 5.Accurate Gamma Correction:Precise gamma correction algorithms better match human visual characteristics, producing more vivid colors and ensuring that the designer's animations or video effects are accurately represented.
6. High Frame Rate Support: It supports a maximum frame rate of 120 Hz to ensure high-definition image display and meet 3D display requirements.
7. Controller Controls and Remote Control:The controller comes with buttons and a remote control, allowing selection of program segments, adjustment of brightness and white balance, and control of playback speed.
- 8.LCD Display Module: An LCD display module shows the controller parameters and status in real time.
- 9.Advanced Grayscale Control:32-65536 level grayscale control ensures realistic reproduction of image colors and details.
10. Independent Brightness Control for Primary Colors: Independent brightness control for red, green, and blue (RGB) enables precise adjustment of white balance.
11. Multiple Color Control Options:Supports single-color, dual-color, RGB, RGBW, RGBWY, and mixed-color control.
12. SD Card Storage: The controller supports SD cards up to 32GB, storing up to 99 pre-programmed files.
13. 8-Port Output:The controller has 8 output ports, each providing a standard 512-channel output. The number of controllable points per port using extended protocols depends on the specific chip characteristics and must be tested by the customer.
14. Built-in Animation Test Program: Includes an animation test program to facilitate debugging and application during projects.

产品规格/SPECIFICATIONS

型号	Model	KM-502S(GPS)
尺寸	Size	L190mm*W96.3mm*H32.5mm
材质	Material	铁 Iron
重量	Weight	约1.48KG
输入电压	Input Voltage	AC12V/DC7.5-24V/DC5V
功率	Power	≤2W
信号输出协议	Protocol	DMX512/SPI
信号输出口数量	Number of ports	8
单端口最大带载通道数	Maximum channel load per port	SPI-1024/DMX512-512 (两者不可同时输出) (Both cannot be output at the same time)
通讯方式	Communication mode	脱机 offline
接口类型	Porttype	3pin 端子*5/4pin 端子Terminal*2
通讯协议	Communication protocol	GPS同步 GPS Synchronization 同步线同步 Line synchronization

The KM-502S(GPS) controller is noted for its outstanding performance and supports 32-65536 levels of grayscale control, which allows for the accurate reproduction of image colors and details. It offers various methods for parameter setting, including buttons, an LCD display, and a remote control, and it also supports storing animation data on an SD card. The controller provides multiple signal outputs compatible with a variety of DMX512 decoder chips and supports different synchronization methods. Additionally, it can handle wide voltage power supplies, includes a time lock encryption feature, and can be equipped with optional environmental light control and audio light control sensor modules to meet needs for interactive brightness adjustments, demonstrating strong compatibility and flexibility.

1. 32-65536 levels of grayscale control for authentic color and detail reproduction.
2. Button-based quick settings for parameters such as the type of drive chip, controller number, program segments, playback speed, and lamp brightness.
3. An LCD display module that shows controller parameters and status in real-time.
4. Remote control support for setting parameters like the type of drive chip, controller number, program segments, playback speed, frame skipping frequency, lamp brightness, and on/off times.
5. Support for SD card storage of animation data, making it convenient and efficient.
6. Independent scheduling for program segments by year, month, day, time, and day of the week.
7. Controller output includes 2-port SPI signal output and 2-port DMX512 signal output.
8. Addressing functionality for DMX512 decoder chips such as MR-DMX05, DMX512AP, and UCS512.
9. Integration of multiple drive chips into one unit, allowing software settings to change the type of chip, clock frequency, duty cycle, and grayscale levels.
10. Support for various synchronization modes between controllers, including satellite synchronization and synchronization line.
11. Compatibility with AC or DC wide-voltage power supply.
12. Incorporation of a time lock encryption function.
13. Optional environmental light control and audio light control sensor modules for interactive and convenient adjustment of lamp brightness.
14. Compatibility with most serial-driven LED drive chips.

控制系统 CONTROL SYSTEM

一体机/All-in-one machine KM-502S(GPS)



产品介绍/INTRODUCTION

KM-502S(GPS)控制器具备出色的性能,支持32-65536级灰度控制,可精确还原图像色彩与细节。它支持多种参数设置方式,包括按键、LCD显示和遥控器,同时支持SD卡存储动画数据。控制器提供多种信号输出,兼容多种DMX512解码芯片,并支持多种同步方式。此外,它还支持宽电压供电、时间锁加密功能,并可选配环境光控、音频光控等传感模块,以满足交互式亮度调整需求,展现出强大的兼容性和灵活性。

- 1.32-65536 级灰度控制,可真实还原图像色彩和细节
- 2.采用按键快速设置控制器参数,如驱动芯片类型、控制器编号、节目片段、播放速度、灯具亮度
- 3.LCD 显示模块及时显示控制器参数及状态
- 4.支持遥控器设置控制器参数,如驱动芯片类型、控制器编号、节目片段、播放速度及跳帧频率、灯具亮度及开关机时间
- 5.支持 SD 卡存储动画数据,方便快捷
- 6.节目片段可独立设置年、月、日、时间及星期定时播放
- 7.控制器输出具备 2 端口 SPI 信号输出和 2 端口 DMX512 信号输出
- 8.支持对 MR-DMX05、DMX512AP、UCS512 等 DMX512 解码芯片的编址功能
- 9.多种驱动芯片控制集成一体,通过软件设置更改芯片类型、时钟频率、占空比、灰度级等参数;
- 10.控制器之间支持卫星同步、同步线同步等多种同步方式
- 11.支持交流供电或直流宽电压供电
- 12.具备时间锁加密功能
- 13.支持环境光控、音频光控等传感模块(选配)应用,交互式便捷调整灯具亮度
- 14.支持大多数串行驱动 LED 驱动芯片

控制系统 CONTROL SYSTEM

一体机/All-in-one machine KM-502



产品介绍/INTRODUCTION

M-502控制器具备出色的性能,支持32-65536级灰度控制,可精确还原图像色彩与细节。它支持多种参数设置方式,包括按键、LCD显示和遥控器,同时支持SD卡存储动画数据。控制器提供多种信号输出,兼容多种DMX512解码芯片,并支持多种同步方式。此外,它还支持宽电压供电、时间锁加密功能,并可选配环境光控、音频光控等传感模块,以满足交互式亮度调整需求,展现出强大的兼容性和灵活性。

- 1.32-65536 级灰度控制,可真实还原图像色彩和细节
- 2.采用按键快速设置控制器参数,如驱动芯片类型、控制器编号、节目片段、播放速度、灯具亮度
- 3.LCD 显示模块及时显示控制器参数及状态
- 4.支持遥控器设置控制器参数,如驱动芯片类型、控制器编号、节目片段、播放速度及跳帧频率、灯具亮度及开关机时间
- 5.支持 SD 卡存储动画数据,方便快捷
- 6.节目片段可独立设置年、月、日、时间及星期定时播放
- 7.控制器输出具备 2 端口 SPI 信号输出和 2 端口 DMX512 信号输出
- 8.支持对 MR-DMX05、DMX512AP、UCS512 等 DMX512 解码芯片的编址功能
- 9.多种驱动芯片控制集成一体,通过软件设置更改芯片类型、时钟频率、占空比、灰度级等参数;
- 10.控制器之间支持卫星同步、同步线同步等多种同步方式
- 11.支持交流供电或直流宽电压供电
- 12.具备时间锁加密功能
- 13.支持环境光控、音频光控等传感模块(选配)应用,交互式便捷调整灯具亮度
- 14.支持大多数串行驱动 LED 驱动芯片

产品规格/SPECIFICATIONS

型号	Model	KM-502
尺寸	Size	L190mm*W96.3mm*H32.5mm
材质	Material	铁 Iron
重量	Weight	约1.48KG
输入电压	Input Voltage	AC12V/DC7.5-24V/DC5V
功率	Power	≤2W
信号输出协议	Protocol	DMX512/SPI
信号输出口数量	Number of ports	8
单端口最大带载通道数	Maximum channel load per port	SPI-1024/DMX512-512 (两者不可同时输出) (Both cannot be output at the same time)
通讯方式	Communication mode	脱机 offline
接口类型	Porttype	3pin 端子*5/4pin 端子 Terminal*2
通讯协议	Communication protocol	同步线同步 Line synchronization

The M-502 controller is noted for its excellent performance and supports 32-65536 levels of grayscale control, which enables precise reproduction of image colors and details. It offers various methods for parameter setting, including buttons, an LCD display, and a remote control, and it also supports storing animation data on an SD card. The controller provides multiple signal outputs compatible with a variety of DMX512 decoder chips and supports different synchronization methods. Additionally, it can handle wide voltage power supplies, includes a time lock encryption feature, and can be equipped with optional environmental light control and audio light control sensor modules to meet needs for interactive brightness adjustments, demonstrating strong compatibility and flexibility.

1. 32-65536 levels of grayscale control, ensuring realistic reproduction of image colors and details.
2. Quick settings via buttons for parameters such as the type of drive chip, controller number, program segments, playback speed, and lamp brightness.
3. An LCD display module that shows the controller's parameters and status in real-time.
4. Support for remote control settings, including the type of drive chip, controller number, program segments, playback speed, frame skipping frequency, lamp brightness, and on/off times.
5. Support for SD card storage of animation data, providing convenience and efficiency.
6. Independent scheduling for program segments by year, month, day, time, and day of the week.
7. Controller output includes 2-port SPI signal output and 2-port DMX512 signal output.
8. Addressing functionality for DMX512 decoder chips such as MR-DMX05, DMX512AP, and UCS512.
9. Multiple drive chips controlled in a single unit, allowing software settings to change the chip type, clock frequency, duty cycle, and grayscale levels.
10. Support for various synchronization modes between controllers, including satellite synchronization and synchronization line.
11. Compatibility with AC or DC wide-voltage power supply.
12. Incorporation of a time lock encryption function.
13. Optional environmental light control and audio light control sensor modules for interactive and convenient adjustment of lamp brightness.
14. Compatibility with most serial-driven LED drive chips.

产品规格/SPECIFICATIONS

型号	Model	KM-YTZK8G
尺寸	Size	L227mm*W110mm*H34mm
材质	Material	铁 Iron
重量	Weight	0.71KG
输入电压	Input Voltage	AC100V-240V 50/60HZ
功率	Power	≤10W
信号输出协议	Protocol	DMX512/TTL
信号输出口数量	Number of ports	8
单端口最大带载通道数	Maximum channel load per port	1024
通讯方式	Communication mode	脱机 offline
接口类型	Porttype	3pin 端子 Terminal*9
通讯协议	Communication protocol	GPS 同步 Synchronization

The KM-YTZK8G LED controller is a powerful device that supports the control of up to 8192 pixels, featuring standalone operation, GPS synchronization, DMX512 interface, built-in test effects, group control, and an LCD display, among other features, providing a comprehensive and efficient solution for LED control.

- 1. High Capacity Output:** Offers 8 output ports, each capable of controlling up to 1024 LED pixels, resulting in a total capacity of 8192 pixels per controller.
- 2. Standalone Control:** Programs are directly saved on an SD card, enabling playback without the need for additional equipment.
- 3. GPS Synchronization Function:** Supports basic single-unit GPS synchronization, requiring only a GPS signal to synchronize, with no limitations on antenna distance.
- 4. DMX512 Interface:** Compatible with DMX512 consoles, allowing users to adjust the controller's speed, brightness, and program content in real-time.
- 5. Built-In Test Effects:** Features 16 built-in test effects that can be displayed immediately upon powering up, without the need for an SD card.
- 6. Quick Address Setting:** Supports one-button DMX lighting address programming, simplifying the setup process.
- 7. Group Control:** Whether for wall washers, high-power lamps, or guardrail lights, group control allows for precise management of different types of lighting.
- 8. Real-Time Display:** Equipped with an LCD display that shows the current operational status, facilitating user monitoring.
- 9. Electromagnetic Compatibility Design:** Utilizes EMC (Electromagnetic Compatibility) design to ensure outstanding interference resistance in complex environments.

控制系统 CONTROL SYSTEM

一体机/All-in-one machine KM-YTZK8G



产品介绍/INTRODUCTION

KM-YTZK8G控制器这款LED控制器功能强大,支持高达8192个像素点的控制,具备脱机控制、GPS同步、DMX512接口、内置测试效果、分组控制等多项便捷功能,并配有LCD显示屏和电磁兼容设计,为LED控制提供了全面且高效的解决方案。

- 1. 高容量输出:**提供8口输出,每口支持最多1024个LED像素点,单台控制器总控像素点高达8192。
- 2. 脱机控制:**所有节目直接保存在SD卡中,无需额外设备即可播放
- 3. GPS同步功能:**支持简单的单机GPS同步,只要有GPS信号即可实现,天线距离无限制
- 4. DMX512接口:**兼容DMX512控台,允许用户实时调整控制器的速度、亮度和节目内容
- 5. 内置测试效果:**内置16种测试效果,无需SD卡,通电即可展现
- 6. 快速地址设置:**支持一键编写DMX灯具地址,简化设置流程
- 7. 分组控制:**无论是洗墙灯、大功率灯还是护栏灯,都可以通过分组功能实现精细控制
- 8. 实时显示:**配备LCD显示屏,实时显示当前操作状态,便于用户监控
- 9. 电磁兼容设计:**采用EMC电磁兼容设计,确保控制器在复杂环境中仍具备出色的抗干扰能力

写码器 /Address coder
KM-WT35



产品规格/SPECIFICATIONS

型号	Model	KM-WT35
尺寸	Size	L87.5mm*W122mm*H41mm
材质	Material	铁 Iron
重量	Weight	约0.3KG
输入电压	Input Voltage	DC6-24V
功率	Power	≤5W
信号输出协议	Protocol	DMX512/TTL/RDM
信号输出口数量	Number of ports	1
单端口最大带载通道数	Maximum channel load per port	3072
通讯方式	Communication mode	脱机 offline
接口类型	Porttype	3pin端子Terminal*1/5pin端子Terminal*1

产品介绍/INTRODUCTION

KM-WT35设备具备灵活的参数设置功能,支持DMX512和TTL信号输出,兼容多种驱动芯片,并内置多种测试动画效果,同时支持亮度及单通道亮度的调节。

1. KM-WT35 设备可设置带载通道数量、波特率、播放速度、颜色数等参数
2. 具备 1 端口 DMX512 信号输出, 其编址信号兼容支持差分信号模式
3. 具备 1 端口 TTL 信号输出, 支持单线与双线芯片驱动芯片
4. 支持输出 2M 时钟频率以及 6144 通道带载
5. 支持多种 DMX512 芯片的编址, 可指定起始通道、单个芯片的带载通道、及灯具编号, 并通过自动/手动测试模式来验证编址情况
6. 设备内置多种测试动画效果, 如多种颜色渐变、自动/手动跑点、整体渐变等多种效果
7. 支持亮度调节、单通道亮度调节功能

The KM-WT35 device is equipped with flexible parameter setting capabilities, supports DMX512 and TTL signal outputs, is compatible with a variety of driver chips, and comes with built-in test animation effects. It also supports brightness and single-channel brightness adjustments. Here are its key features in more detail:

- 1. Parameter Settings:** The KM-WT35 device can set the number of loaded channels, baud rate, playback speed, and the number of colors.
- 2. DMX512 Signal Output:** It is equipped with one DMX512 signal output port, and its addressing signals are compatible with differential signal mode.
- 3. TTL Signal Output:** It has one TTL signal output port, supporting both single-wire and dual-wire driver chips.
- 4. Output Clock Frequency and Channel Load:** It supports an output clock frequency of 2 MHz and can handle a channel load of up to 6144 channels.
- 5. Addressing for DMX512 Chips:** It supports addressing for various DMX512 chips, allowing you to specify the start channel, the number of channels loaded by a single chip, and the fixture ID. This can be verified through automatic or manual testing modes.
- 6. Built-In Test Animation Effects:** The device includes a variety of built-in test animation effects, such as color gradients, automatic/manual point running, and overall fading.
- 7. Brightness Adjustment:** It supports overall brightness adjustment as well as single-channel brightness adjustment.

写码器 /Address coder
KM-DS2



产品规格/SPECIFICATIONS

型号	Model	KM-DS2
尺寸	Size	L115mm*W72mm*H32mm
材质	Material	铁 Iron
重量	Weight	0.2KG
输入电压	Input Voltage	DC5V(可充电Rechargeable)
功率	Power	≤1W
信号输出协议	Protocol	DMX512
信号输出口数量	Number of ports	1
单端口最大带载通道数	Maximum channel load per port	512
通讯方式	Communication mode	脱机offline
接口类型	Porttype	4pin端子Terminal*1

KM-DS2 handheld encoder is powerful and easy to use, supporting a variety of encoding modes for different types of lamps and providing options for encoding by lamp or by address. It uses a DC5V power supply and has a built-in battery that displays the percentage of remaining charge. Equipped with an LCD touch screen and EMC (Electromagnetic Compatibility) design, it provides users with an intuitive, stable, and interference-resistant experience. Whether it's for address writing, SD card program playback, pattern testing, or program settings, the KM-DS2 can handle these tasks effortlessly, making it a capable assistant in the field of LED lamp control.

- 1. Power Supply and Battery:** It operates on a DC5V power supply and includes an internal battery that allows it to be used offline, with real-time display of the battery charge percentage.
- 2. Lamp Encoding Modes:** It supports multiple mainstream lamp encoding modes, such as YM3H and UCS512, covering the most popular models in the market.
- 3. Encoding Methods:** It offers two encoding methods: by lamp and by address, catering to the needs of different users.
- 4. Handheld Encoder Functions:** It is feature-rich, including address writing, SD card playback, pattern testing, and program settings.
- 5. LCD Touch Screen:** It provides an intuitive display of operation status, parameters, and feedback, simplifying the user interface.
- 6. EMC Electromagnetic Compatibility Design:** It ensures stable operation in complex electromagnetic environments, with strong resistance to interference.

产品介绍/INTRODUCTION

KM-DS2手持式编码器功能强大、操作便捷,支持多种编码灯具模式,并提供按灯具或地址方式编码的选择。它采用DC5V供电电压,并自带电池显示电量百分比。配备LCD显示触摸屏和EMC电磁兼容设计,为用户带来直观、稳定、抗干扰的使用体验。无论是写址、SD卡播放节目、花样测试还是程序设置,都能轻松应对,是LED灯具控制领域的得力助手。

- 1. 供电与电池:** 采用DC5V供电,自带电池可离线使用,电量百分比实时显示。
- 2. 编码灯具模式:** 支持多种主流灯具编码模式,如YM3H、UCS512等,覆盖市场主流型号。
- 3. 编码方式:** 提供按灯具和按地址两种编码方式,满足不同用户需求。
- 4. 手持编码器功能:** 功能强大,包括写址、SD卡播放、花样测试、程序设置等。
- 5. LCD触摸屏:** 直观显示操作状态、参数及反馈,简化操作。
- 6. EMC电磁兼容设计:** 确保在复杂电磁环境下稳定运行,抗干扰能力强。

配件 ACCESSORY

在户外照明解决方案中，优质的配件至关重要。我们的户外灯具配件系列专为各种环境而设计，确保了户外灯具的安全性、稳定性和美观度。
In outdoor lighting solutions, high-quality accessories are crucial. Our range of outdoor lighting accessories is designed specifically for various environments, ensuring the safety, stability, and aesthetics of outdoor lighting fixtures.



配件 Accessories

中继器 / Repeater



型号	Model	KM-ZJ11R	KM-ZJ61WH	KM-DMXRP-A-P07
尺寸	Size	L127.4mm*W50mm*H27mm	L97.8mm*W50mm*H26.5mm	L125mm*W30mm*H20mm
材质	Material	铝 Aluminum	铝 Aluminum	铝 Aluminum
重量	Weight	≈0.1KG	≈0.1KG	0.15KG
输入电压	Input Voltage	DC6-36V	DC6-36V	DC12-36V
功率	Power	≤2W	≤2W	≤2W
信号输出协议Protocol		DMX512/RDM	DMX512	DMX512

电源/Power supply



型号	Model	ELG - 75 - SPEC	ELG - 100 - SPEC	ELG - 150 - SPEC
尺寸	Size	L180mm*W63mm*H35.5mm	L199mm*W63mm*H35.5mm	L219mm*W63mm*H35.5mm
重量	Material	0.8KG	0.85KG	0.95KG
输入电压	Weight	AC100V -305V/47 ~63HZ	AC100V -305V/47 ~63HZ	AC100V -305V/47 ~63HZ
输出电压	Input Voltage	DC12V/24V/36V/48V	DC24V/36V/42V/48V/54V	DC12V/24V/36V/42V/48V/54V
功率	Power	75W	70 ~ 96W	84 ~ 105W



型号	Model	ELG - 200 - SPEC	ELG - 240 - SPEC	ELG - 300 - SPEC
尺寸	Size	L244mm*W71mm*H37.5mm	L244mm*W71mm*H37.5mm	L246mm*W77mm*H39.5mm
重量	Material	1.22KG	1.22KG	1.45KG
输入电压	Weight	AC100V -305V/47 ~63HZ	AC100V -305V/47 ~63HZ	AC100V -305V/47 ~63HZ
输出电压	Input Voltage	DC12V/24V/36V/42V/48V/54V	DC24V/36V/42V/48V/54V	DC12V/24V
功率	Power	200W	240W	264 ~ 300W



型号	Model	ERP - 350 - SPEC	ERPF - 400 - SPEC
尺寸	Size	L220.4mm*W130mm*H48mm	L220.4mm*W130mm*H48mm
重量	Material	0.9KG	1.1KG
输入电压	Weight	AC180V -264V/47 ~63HZ	AC90V -264V/47 ~63HZ
输出电压	Input Voltage	DC12V/24V/36V/48V	DC12V/24V/48V
功率	Power	320 ~ 350W	360 ~ 400W



型号	Model	HLG - 150H - SPEC	HLG - 185H - SPEC	HLG - 320H - SPEC
尺寸	Size	L228mm*W68mm*H38.8mm	L228mm*W68mm*H38.8mm	L252mm*W90mm*H43.8mm
重量	Material	1.15KG	1.15KG	1.88KG
输入电压	Weight	AC90V -305V/47 ~63HZ	AC90V -305V/47 ~63HZ	AC90V -305V/47 ~63HZ
输出电压	Input Voltage	DC12V/15V/20V/24V/30V/36V/42V/48V/54V	DC12V/15V/20V/24V/30V/36V/42V/48V/54V	DC12V/15V/20V/24V/30V/36V/42V/48V/54V
功率	Power	150W	156 ~ 187W	264 ~ 320W



型号	Model	XLG - 25 - SPEC	XLG - 50 - SPEC	XLG - 75 - SPEC
尺寸	Size	L105mm*W63mm*H30mm	L105mm*W63mm*H30mm	L140mm*W63mm*H32mm
重量	Material	0.41KG	0.41KG	0.58KG
输入电压	Weight	AC90V -305V/47 ~63HZ	AC90V -305V/47 ~63HZ	AC90V -305V/47 ~63HZ
输出电压	Input Voltage	DC22 ~ 54V	DC22 ~ 54V	DC12V/24V
功率	Power	25W	50W	60/75W



型号	Model	XLG - 100 - SPEC	XLG - 150 - SPEC	XLG - 200 - SPEC	XLG - 320 - SPEC
尺寸	Size	L140mm*W63mm*H32mm	L180mm*W63mm*H35.5mm	L199mm*W63mm*H35.5mm	L246mm*W77mm*H39.5mm
重量	Material	0.58KG	0.8KG	0.85KG	1.45KG
输入电压	Weight	AC100V -305V/47 ~63HZ	AC100V -305V/47 ~63HZ	AC100V -305V/47 ~63HZ	AC100V -305V/47 ~63HZ
输出电压	Input Voltage	DC12V/24V	DC12V/24V	DC12V/24V	DC12V/24V
功率	Power	96W	150W	192/200W	216/312W

配件 ACCESSORIES

配线防水连接器/Wiring waterproof connector



型号	Model	直通防水连接器Straight-through waterproof connector	三通防水连接器Tee wire waterproof connector
尺寸	Size	L78mm*φ 22mm	L65mm*W105mm*φ 22mm
导线尺寸	Wire Size	0.5mm ² ~2.5mm ²	0.5mm ² ~2.5mm ²
线径	Wire diameter	φ 4-φ 10mm	φ 4-φ 10mm
材质	Material	外壳绝缘部分: UL94-V0; Insulative housing:UL94-V0 内部: 铜合金 Interior: Copper alloy	外壳绝缘部分: UL94-V0; Insulative housing:UL94-V0 内部: 铜合金 Interior: Copper alloy
铜芯最大电压电流Maximum voltage /current		300V/20A	300V/20A
芯数	Numbers of cores	2/3/4芯 2-core/3-core/4-core	2/3/4芯 2-core/3-core/4-core
接口数量	Numbers of ports	2	3
防护等级	IP Rating	IP68	IP68

防水接线盒/Waterproof junction box



型号	Model	一出二防水接线盒 2-side waterproof junction box	一出二头防水接线盒 2-side waterproof junction box	一出二头防水接线盒 2-side waterproof junction box	一出二头防水接线盒 2-side waterproof junction box
尺寸	Size	L93mm*W35mm*H24mm	L125mm*W77mm*H35mm	L114mm*W42mm*H30mm	L115mm*W54mm*H35mm
导线尺寸	Wire Size	0.5mm ²	1.5mm ² ~2.5mm ²	2.5mm ²	1.5mm ² ~2.5mm ²
线径	Wire diameter	φ 3-φ 6.5mm	φ 4-φ 12mm	φ 3-φ 8mm	φ 5-φ 15mm
材质	Material	外壳PA/ABS/PC Housing: PA/ABS/PC	外壳PA/ABS/PC Housing: PA/ABS/PC	外壳PA/ABS/PC Housing: PA/ABS/PC	外壳PA/ABS/PC Housing: PA/ABS/PC
铜芯最大电压电流 Maximum voltage /current		450V/24A	450V/41A	450V/41A	450V/41A
芯数	Numbers of cores	2芯 2-core	3芯 3-core	3芯 3-core	3/4芯 3-core/4-core
接口数量	Numbers of ports	2	2	2	2
防护等级	IP Rating	IP68	IP68	IP68	IP68



型号	Model	一出二3头Y型防水接线盒 Y-type waterproof junction box	一出二3头T型防水接线盒 T-type waterproof junction box	一出二头方形防水接线盒 Square waterproof junction box	一出二头方形防水接线盒 Square waterproof junction box
尺寸	Size	L112mm*W71mm*H37mm	L132mm*W91mm*H35mm	L99mm*W87mm*H45mm	L204mm*W174mm*H69mm
导线尺寸	Wire Size	1.5mm ² ~2.5mm ²	1.5mm ² ~2.5mm ²	1.5mm ² ~2.5mm ²	1.5mm ² ~2.5mm ²
线径	Wire diameter	φ 5-φ 15mm	φ 5-φ 15mm	φ 3-φ 18mm	φ 3-φ 32mm
材质	Material	外壳PA/ABS/PC Housing: PA/ABS/PC	外壳PA/ABS/PC Housing: PA/ABS/PC	外壳PA/ABS/PC Housing: PA/ABS/PC	外壳PA/ABS/PC Housing: PA/ABS/PC
铜芯最大电压电流 Maximum voltage /current		450V/41A	450V/41A	450V/41A	450V/41A
芯数	Numbers of cores	3/4芯 3-core/4-core	3/4芯 3-core/4-core	3/4芯 3-core/4-core	3/4芯 3-core/4-core
接口数量	Numbers of ports	3	3	2	2
防护等级	IP Rating	IP68	IP68	IP68	IP68

配线(常规公母头)/Accessory cable (conventional)



型号	Model	三芯自锁母头输入线 3-core female cable	三芯自锁公头线 3-core male cable	两芯自锁母头输入线 (大头) 2-core self-locking female input cable	两芯自锁公头输入线 (大头) 2-core self-locking male input cable
尺寸	Size	L680mm*φ 22mm	L800mm*φ 18mm	L200mm*φ 22mm	L200mm*φ 18mm
线径	Wire diameter	3*1.0mm ²	3*1.0mm ²	2*1.0mm ²	2*1.0mm ²
外皮尺寸	Outer skin size	φ 7mm	φ 7mm	φ 7mm	φ 7mm
材质	Material	橡胶外皮/铜导线 Rubber cover/copper wire	橡胶外皮/铜导线 Rubber cover/copper wire	橡胶外皮/铜导线 Rubber cover/copper wire	橡胶外皮/铜导线 Rubber cover/copper wire
芯数	Numbers of cores	3芯 3-core	3芯 3-core	2芯 2-core	2芯 2-core
防护等级	Rating	IP65	IP65	IP65	IP65



型号	Model	两芯母头输入线 (小头) 2-core female input cable	两芯公头输入线 (小头) 2-core male input cable	五芯自锁母头输入线 (大头) 5-core self-locking female cable	五芯自锁公头输入线 (大头) 5-core self-locking male input cable
尺寸	Size	L200mm*φ 16mm	L200mm*φ 15mm	L200mm*φ 22mm	L200mm*φ 18mm
线径	Wire diameter	2*1.0mm ²	2*1.0mm ²	2*1.0mm ² +3*0.3mm ²	2*1.0mm ² +3*0.3mm ²
外皮尺寸	Outer skin size	W10mm*H3.5mm	W10mm*H3.5mm	φ 7mm	φ 7mm
材质	Material	橡胶外皮/铜导线 Rubber cover/copper wire	橡胶外皮/铜导线 Rubber cover/copper wire	橡胶外皮/铜导线 Rubber cover/copper wire	橡胶外皮/铜导线 Rubber cover/copper wire
芯数	Numbers of cores	2芯 2-core	2芯 2-core	5芯 5-core	5芯 5-core
防护等级	IP Rating	IP65	IP65	IP65	IP65



型号	Model	五芯母头输入线 (小头) 5-core female input cable	五芯公头输入线 (小头) 5-core male input cable	四芯自锁母头输入线 (大头) 4-core self-locking female cable	四芯自锁公头输入线 (大头) 4-core self-locking male input cable
尺寸	Size	L200mm*φ 16mm	L215mm*φ 15mm	L200mm*φ 22mm	L200mm*φ 18mm
线径	Wire diameter	2*1.0mm ² +3*0.3mm ²	2*1.0mm ² +3*0.3mm ²	4*0.5mm ²	4*0.5mm ²
外皮尺寸	Outer skin size	W10mm*H3.5mm	W10mm*H3.5mm	φ 7mm	φ 7mm
材质	Material	橡胶外皮/铜导线 Rubber cover/copper wire	橡胶外皮/铜导线 Rubber cover/copper wire	橡胶外皮/铜导线 Rubber cover/copper wire	橡胶外皮/铜导线 Rubber cover/copper wire
芯数	Numbers of cores	5芯 5-core	5芯 5-core	4芯 4-core	4芯 4-core
防护等级	IP Rating	IP65	IP65	IP65	IP65

配线(特殊)/Accessory cable (special)



型号	Model	五针四芯断正极线 (大头) Break -the -positive cable (Wall washer)	五针四芯断正极线 (小头) Break -the -positive cable (Linear luminaire)	Y型三通线 Y-type tee cable	T型三通线 (自锁大头) T-type tee cable
尺寸	Size	L215mm*φ 22mm	L215mm*φ 16mm	L215mm*W17mm*H17mm	L285mm*W22mm*H250mm
线径	Wire diameter	1*1.0mm ² +3*0.3mm ²	1*1.0mm ² +3*0.3mm ²	供电主线 2*1.5mm ² +输出线 2*1.0mm ² +3*0.3mm ² Main power supply cable 2*1.5mm ² + Output cable 2*1.0mm ² +3*0.3mm ²	供电主线 2*1.5mm ² +输出线 2*1.0mm ² +3*0.3mm ² Main power supply cable 2*1.5mm ² + Output cable 2*1.0mm ² +3*0.3mm ²
外皮尺寸	Outer skin size	φ 7mm	W10mm*H3.5mm	W10mm*H3.5mm	φ 7mm
材质	Material	橡胶外皮/铜导线 Rubber skin/copper wire	橡胶外皮/铜导线 Rubber skin/copper wire	橡胶外皮/铜导线 Rubber skin/copper wire	橡胶外皮/铜导线 Rubber skin/copper wire
芯数	Numbers of cores	5针 4芯 5-needle 4-core	5针 4芯 5-needle 4-core	5芯+2芯 5-core+2-core	5芯+2芯 5-core+2-core
防护等级	IP Rating	IP65	IP65	IP65	IP65



型号	Model	五针五芯连接线 (大头) Five-pin five-core connecting cable (Wall washer)	五针五芯连接线 (小头) Five-pin five-core connecting cable (Wall washer)	四针四芯连接线 (大头) Four-pin four-core connecting cable (Wall washer)
尺寸	Size	L1000mm*φ 22mm(长度可定制) Length (Customization)	L1000mm*φ 16mm(长度可定制) Length (Customization)	L1000mm*φ 16mm(长度可定制) Length (Customization)
线径	Wire diameter	2*1.0mm ² +3*0.3mm ²	2*1.0mm ² +3*0.3mm ²	4*0.5mm ²
外皮尺寸	Outer skin size	φ 7mm	W10mm*H3.5mm	φ 7mm
材质	Material	橡胶外皮/铜导线 Rubber skin/copper wire	橡胶外皮/铜导线 Rubber skin/copper wire	橡胶外皮/铜导线 Rubber skin/copper wire
芯数	Numbers of cores	5针 5芯 5-core 5-needles	5针 5芯 5-core 5-needles	4针 4芯 4-core 4-needles
防护等级	IP Rating	IP65	IP65	IP65